



US00D816577S

(12) **United States Design Patent**
Harrah et al.

(10) **Patent No.:** **US D816,577 S**

(45) **Date of Patent:** **** May 1, 2018**

(54) **JACK BRACKET**

(71) Applicant: **The Bloomfield Manufacturing Company, Inc.**, Bloomfield, IN (US)

(72) Inventors: **E. Austin Harrah**, Bloomfield, IN (US); **Patrick F. Simpson**, Bloomfield, IN (US)

(73) Assignee: **The Bloomfield Manufacturing Co., Inc.**, Bloomfield, IN (US)

(**) Term: **15 Years**

(21) Appl. No.: **29/590,323**

(22) Filed: **Jan. 9, 2017**

(51) **LOC (11) Cl.** **12-06**

(52) **U.S. Cl.**
USPC **D12/223**

(58) **Field of Classification Search**
USPC D12/223, 114, 604, 406, 202, 400, 415;
D8/71, 349, 354, 373, 380, 382, 394,
D8/396; D34/31, 28
CPC B66F 1/00; B66F 3/25; B66F 2700/00;
B66F 2700/02; B66F 2700/025; B66F
7/28; B66F 2700/123; B66F 13/00
See application file for complete search history.

(56) **References Cited**

U.S. PATENT DOCUMENTS

D199,910 S * 12/1964 Greenberg D34/31
D260,235 S * 8/1981 Anderson D8/394
4,403,378 A * 9/1983 Engman F01N 13/1805
24/277

D291,650 S * 9/1987 Monzen D24/128
D333,087 S * 2/1993 Tekirian D8/354
D337,934 S * 8/1993 Young D8/355
D381,894 S * 8/1997 Lun D8/396
D401,211 S * 11/1998 Simpson D12/223
D466,856 S * 12/2002 Gates D12/223
D520,440 S * 5/2006 Lee D12/223
D602,836 S * 10/2009 Simpson D12/223
D625,585 S * 10/2010 Kramer D8/380
D653,190 S * 1/2012 Richter D12/223
D749,940 S * 2/2016 Hermle D8/394
D766,075 S * 9/2016 Milbank D8/394
D777,020 S * 1/2017 Zlatic D8/394

* cited by examiner

Primary Examiner — Sandra S Snapp

Assistant Examiner — Ieisha N Price

(74) *Attorney, Agent, or Firm* — Ice Miller LLP

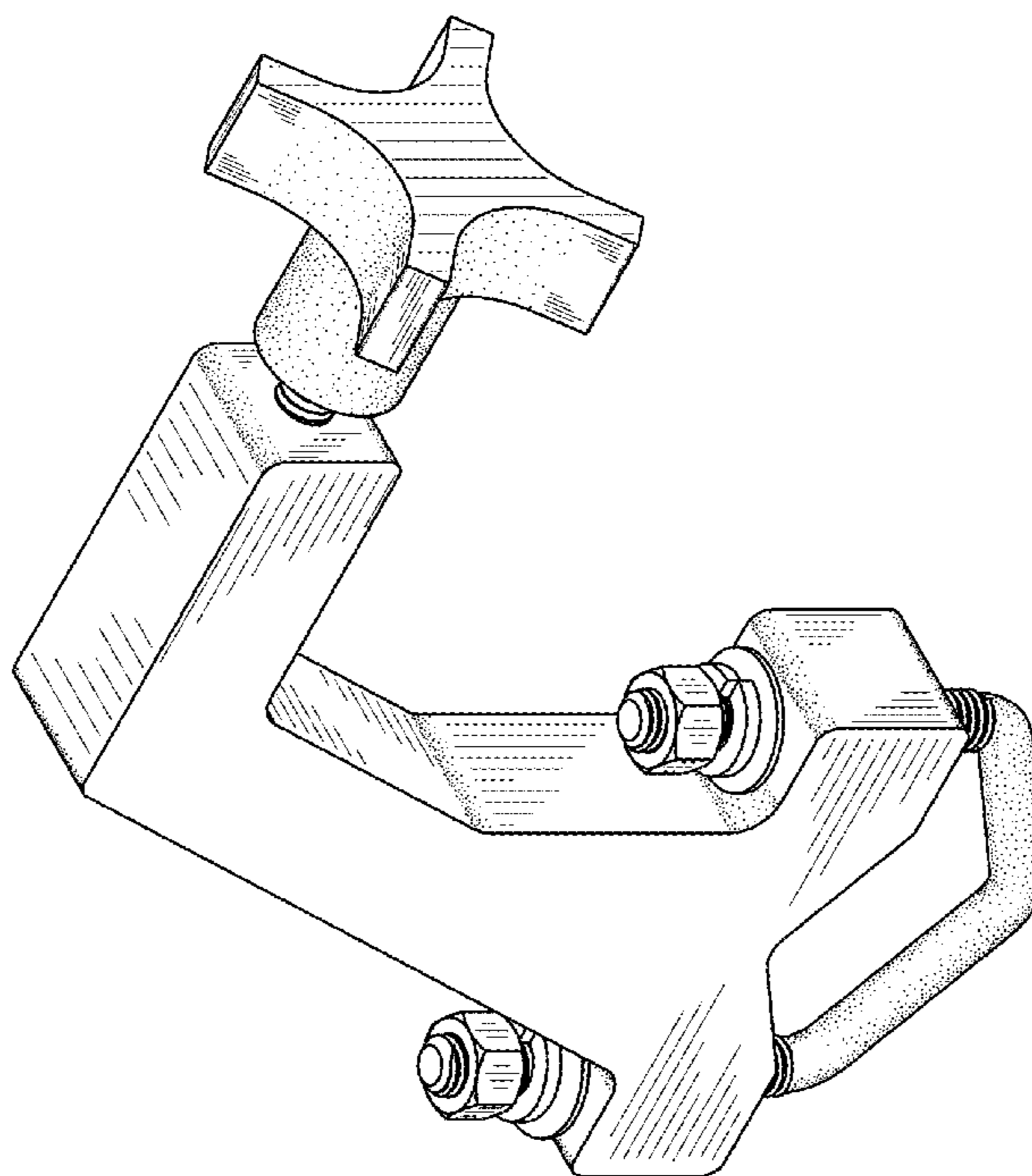
(57) **CLAIM**

The ornamental design for a jack bracket, as shown and described.

DESCRIPTION

FIG. 1 is a top perspective view of a jack bracket, showing our new design;
FIG. 2 is a bottom perspective view thereof;
FIG. 3 is a top plan view thereof;
FIG. 4 is a bottom plan view thereof;
FIG. 5 is a left side elevational view thereof;
FIG. 6 is a right side elevational view thereof;
FIG. 7 is a front elevational view thereof; and,
FIG. 8 is a rear elevational view thereof.

1 Claim, 8 Drawing Sheets



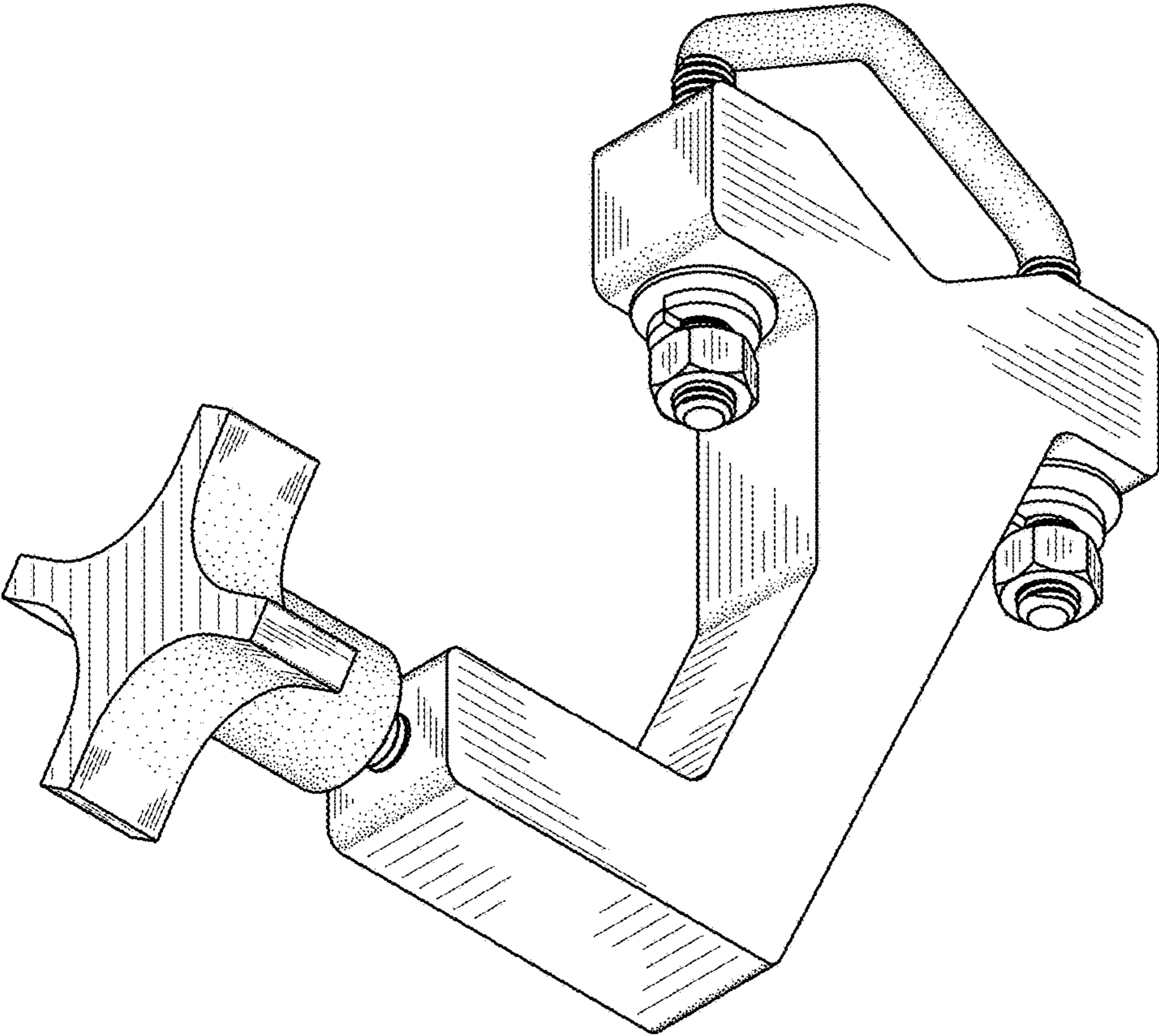


Fig. 1

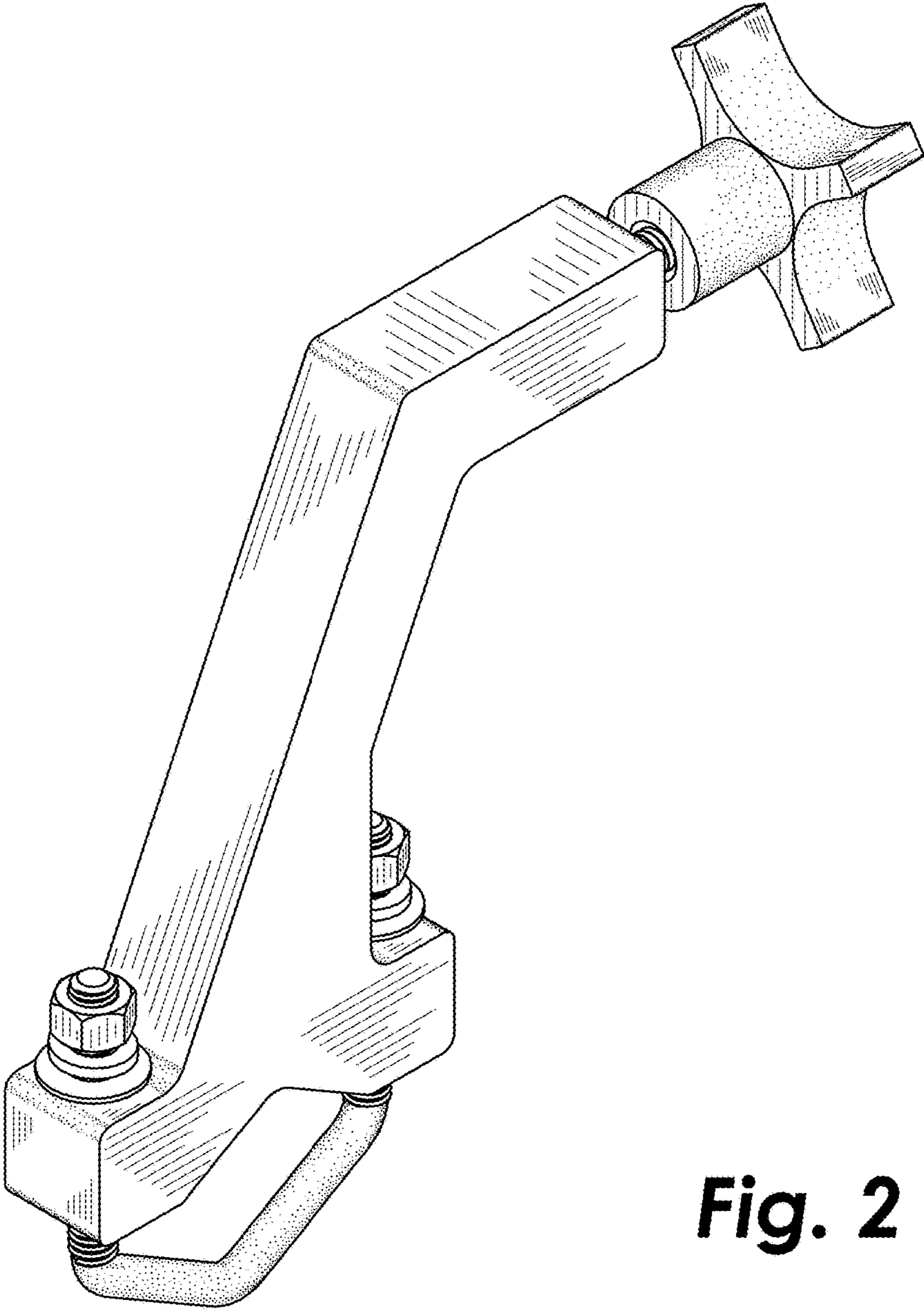


Fig. 2

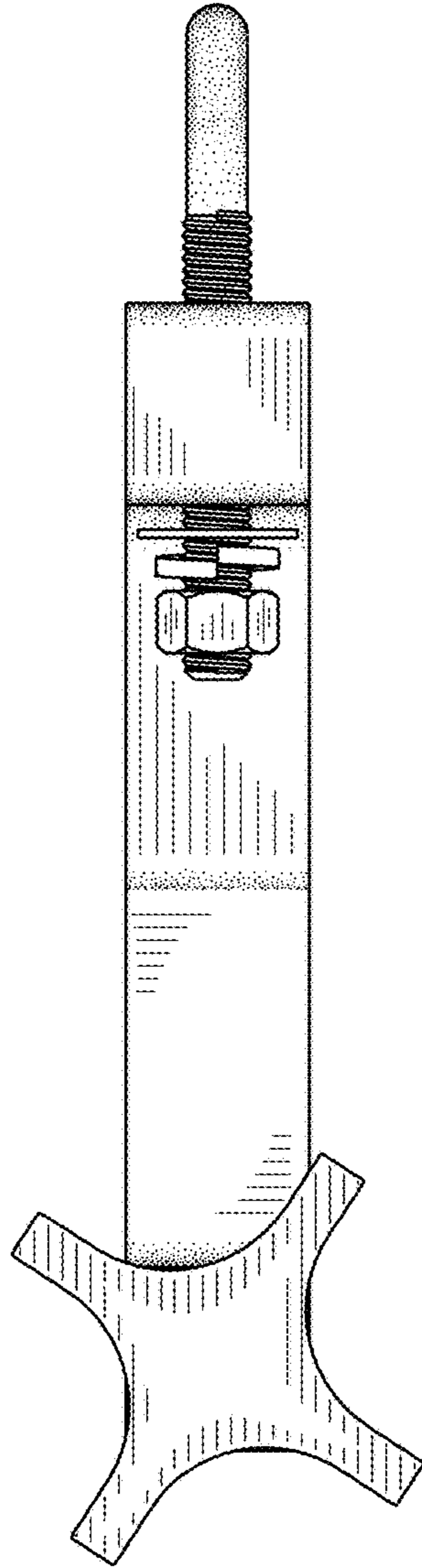


Fig. 3

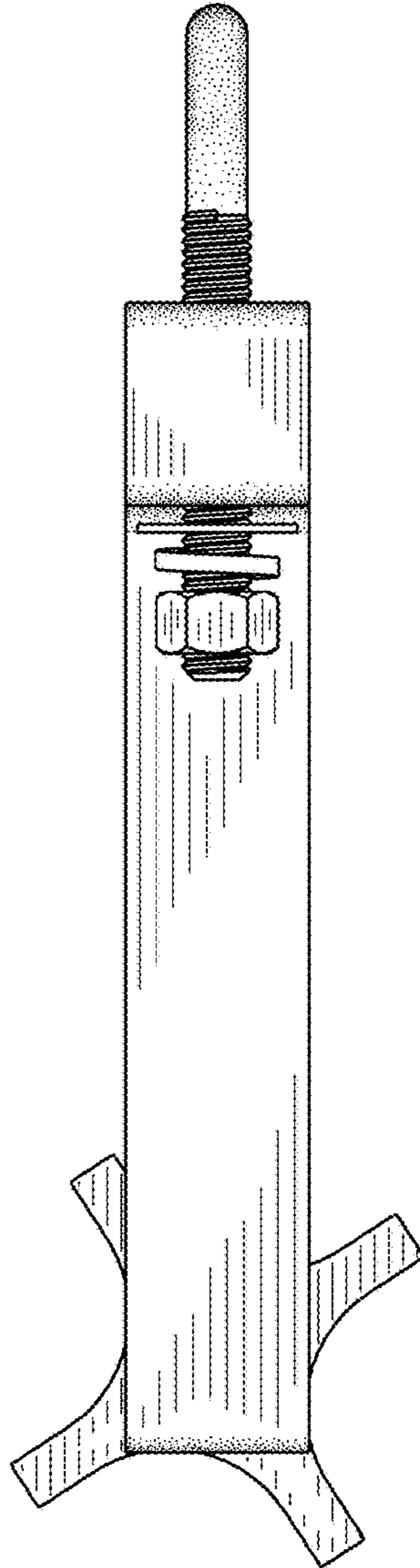


Fig. 4

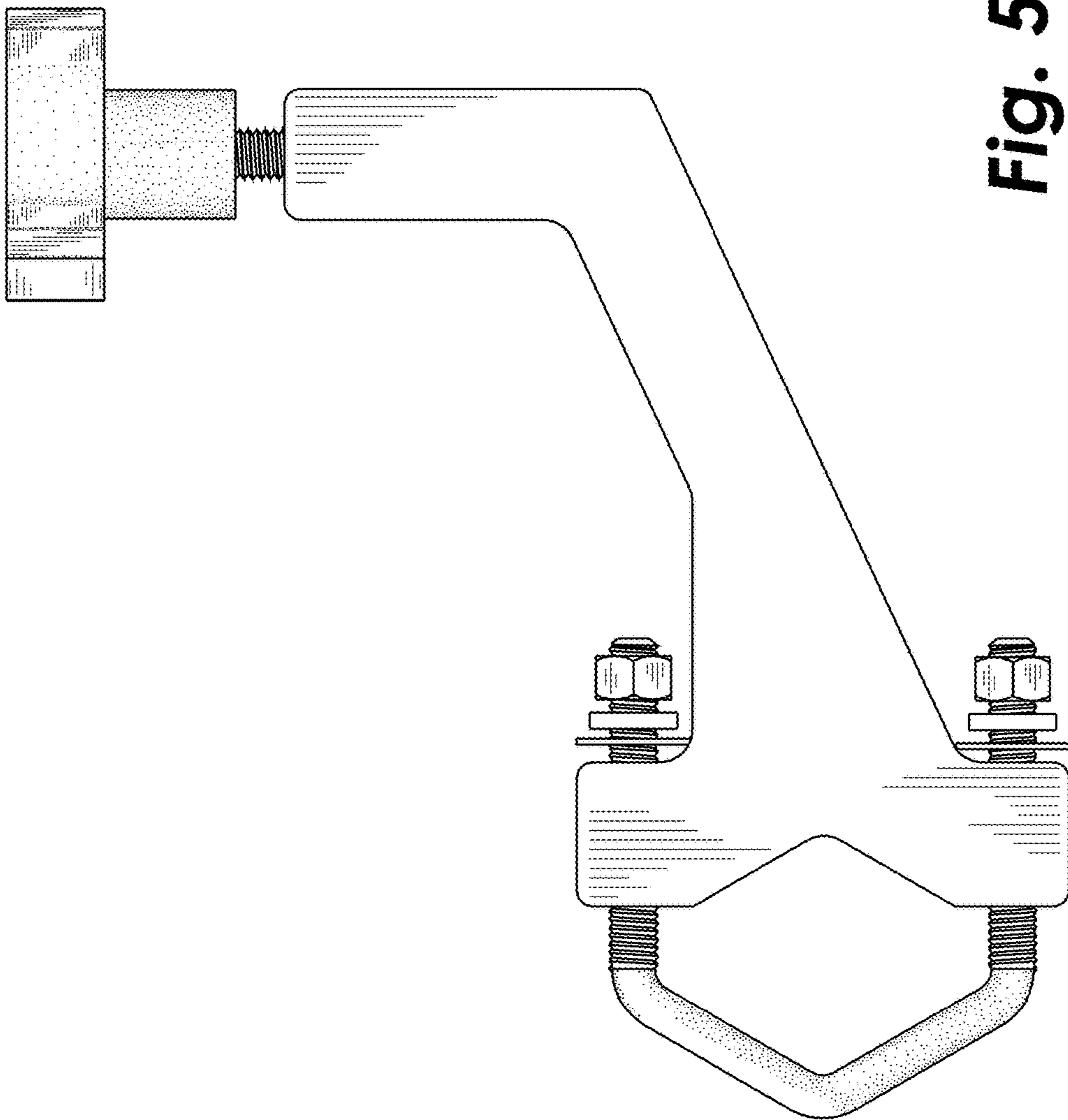


Fig. 5

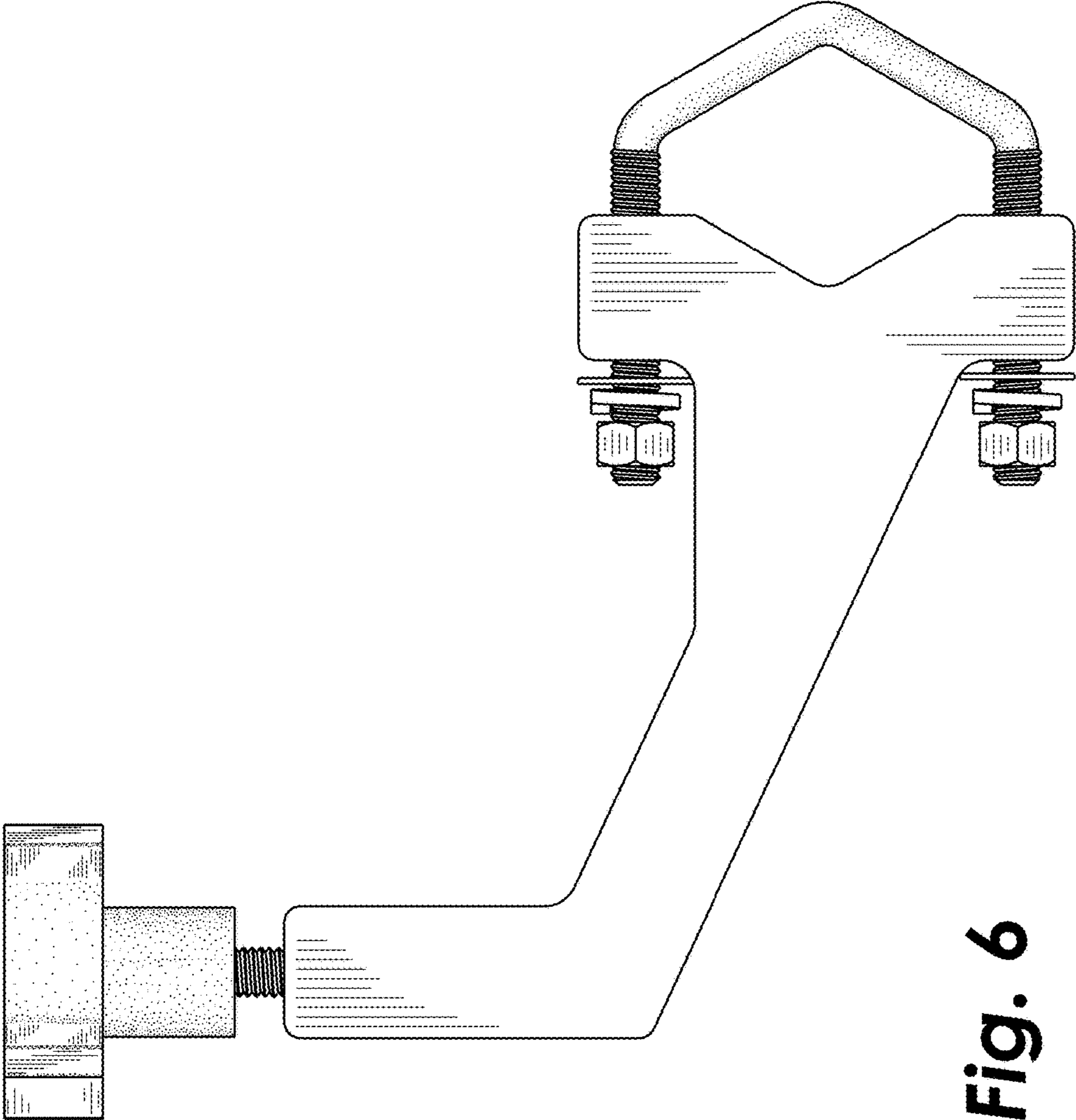


Fig. 6

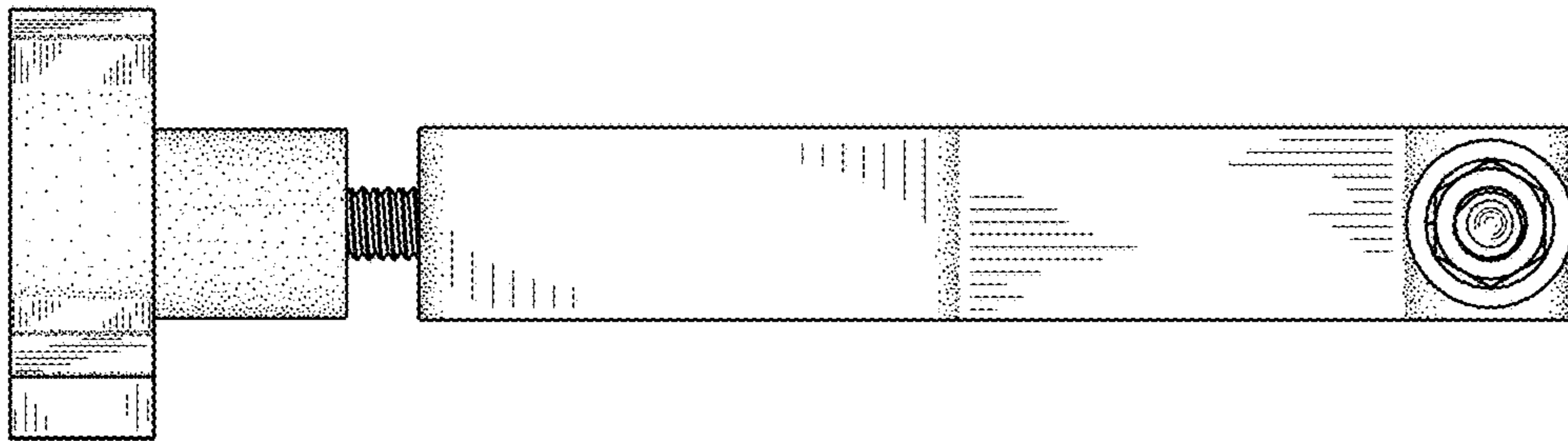


Fig. 7

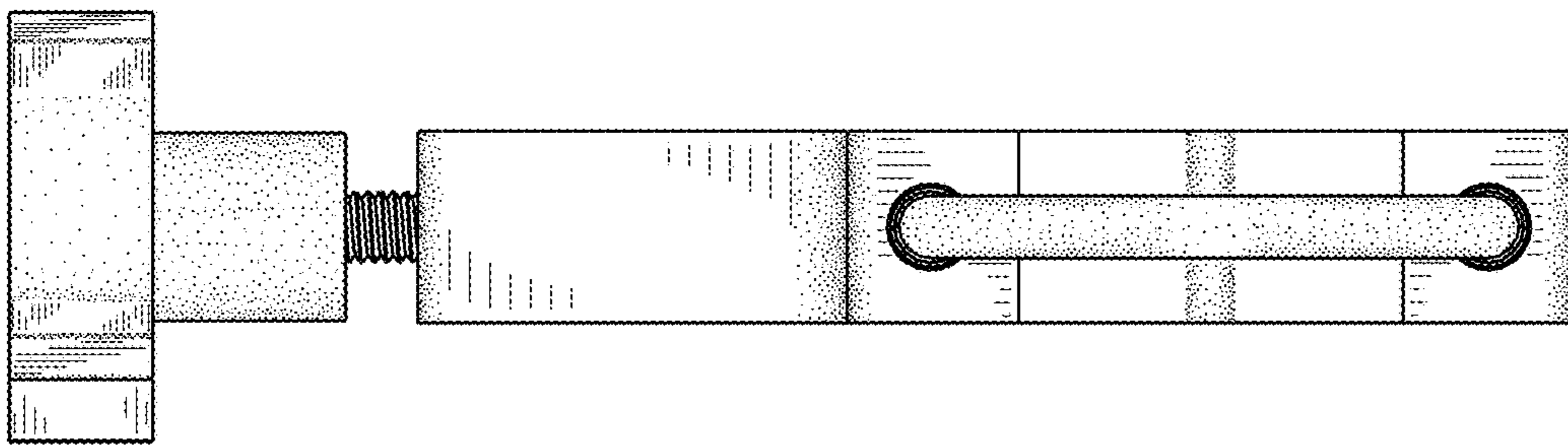


Fig. 8