



US00D816576S

(12) **United States Design Patent** (10) **Patent No.:** **US D816,576 S**  
**Park et al.** (45) **Date of Patent:** **\*\* May 1, 2018**

(54) **WHEEL FOR BIKE**  
(71) Applicant: **HYCORE CO., LTD.**, Seoul (KR)  
(72) Inventors: **Dong Hyun Park**, Gwangmyeong-si (KR); **Tae Hyung Lee**, Seoul (KR); **Daniel Wontae Choi**, Pomona, CA (US); **Hang Hoon Choi**, Seoul (KR)  
(73) Assignee: **HYCORE CO., LTD.**, Seoul (KR)  
(\*\*) Term: **15 Years**  
(21) Appl. No.: **29/553,093**

D303,516 S \* 9/1989 Arredondo, Jr. .... D12/209  
5,184,874 A \* 2/1993 Olson ..... B60B 1/06  
301/104  
D352,021 S \* 11/1994 Powers ..... D12/209  
D370,652 S \* 6/1996 Londry ..... D12/209  
D372,697 S \* 8/1996 Echazabal ..... D12/209  
D383,721 S \* 9/1997 Baker ..... D12/209  
D405,747 S \* 2/1999 Sacco ..... D12/209  
D445,389 S \* 7/2001 Stach ..... D12/209  
D491,868 S \* 6/2004 Lin ..... D12/209  
D520,430 S \* 5/2006 Lindsay ..... D12/209  
D570,757 S \* 6/2008 Kiesel ..... D12/209  
D649,920 S \* 12/2011 Jessie, Jr. .... D12/209  
D659,626 S \* 5/2012 Frei ..... D12/209  
D675,553 S \* 2/2013 Pearce ..... D12/209

\* cited by examiner

(22) Filed: **Jan. 28, 2016**  
(30) **Foreign Application Priority Data**  
Jul. 31, 2015 (KR) ..... 30-2015-0038528  
(51) **LOC (11) Cl.** ..... **12-16**  
(52) **U.S. Cl.**  
USPC ..... **D12/209**  
(58) **Field of Classification Search**  
USPC ..... D12/204–213  
CPC .... B60B 7/00; B60B 7/02; B60B 7/04; B60B 7/01; B60B 7/06; B60B 3/02; B60B 3/04; B60B 3/06; B60B 3/10; B60B 1/00; B60B 1/08; B60B 1/10; B60B 1/12  
See application file for complete search history.

*Primary Examiner* — Sandra Snapp  
(74) *Attorney, Agent, or Firm* — Novick, Kim & Lee, PLLC; Jae Youn Kim

(57) **CLAIM**

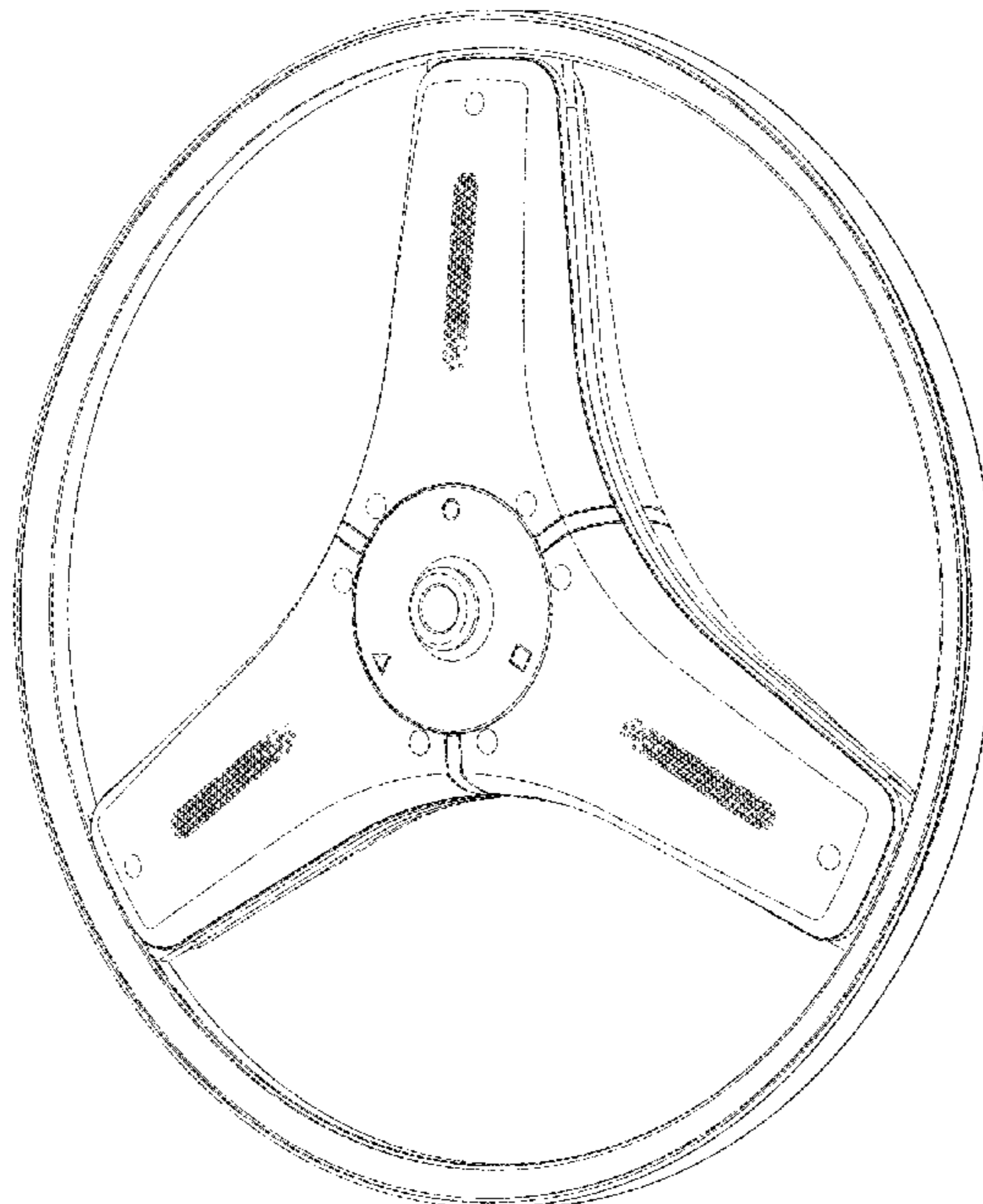
We claim the ornamental design for a wheel for bike, as shown and described.

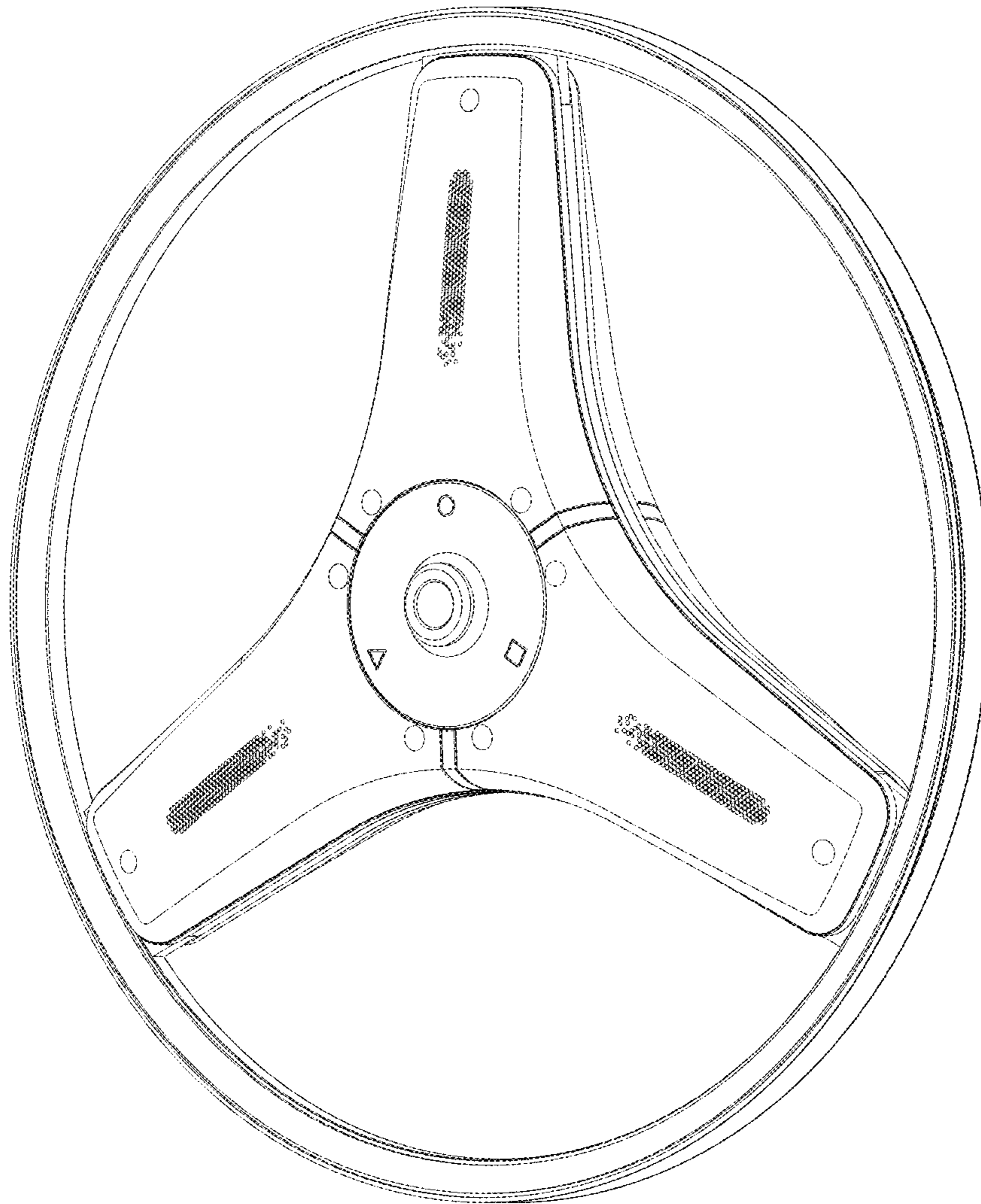
**DESCRIPTION**

FIG. 1 is a perspective view of a wheel for bike, showing our new design;  
FIG. 2 is a front elevational view thereof;  
FIG. 3 is a rear elevational view thereof;  
FIG. 4 is a left side elevational view thereof;  
FIG. 5 is a right side elevational view thereof;  
FIG. 6 is a top plan view thereof;  
FIG. 7 is a bottom plan view thereof; and,  
FIG. 8 is an enlarged view of one of a wheel spoke portion as shown in FIG. 2.

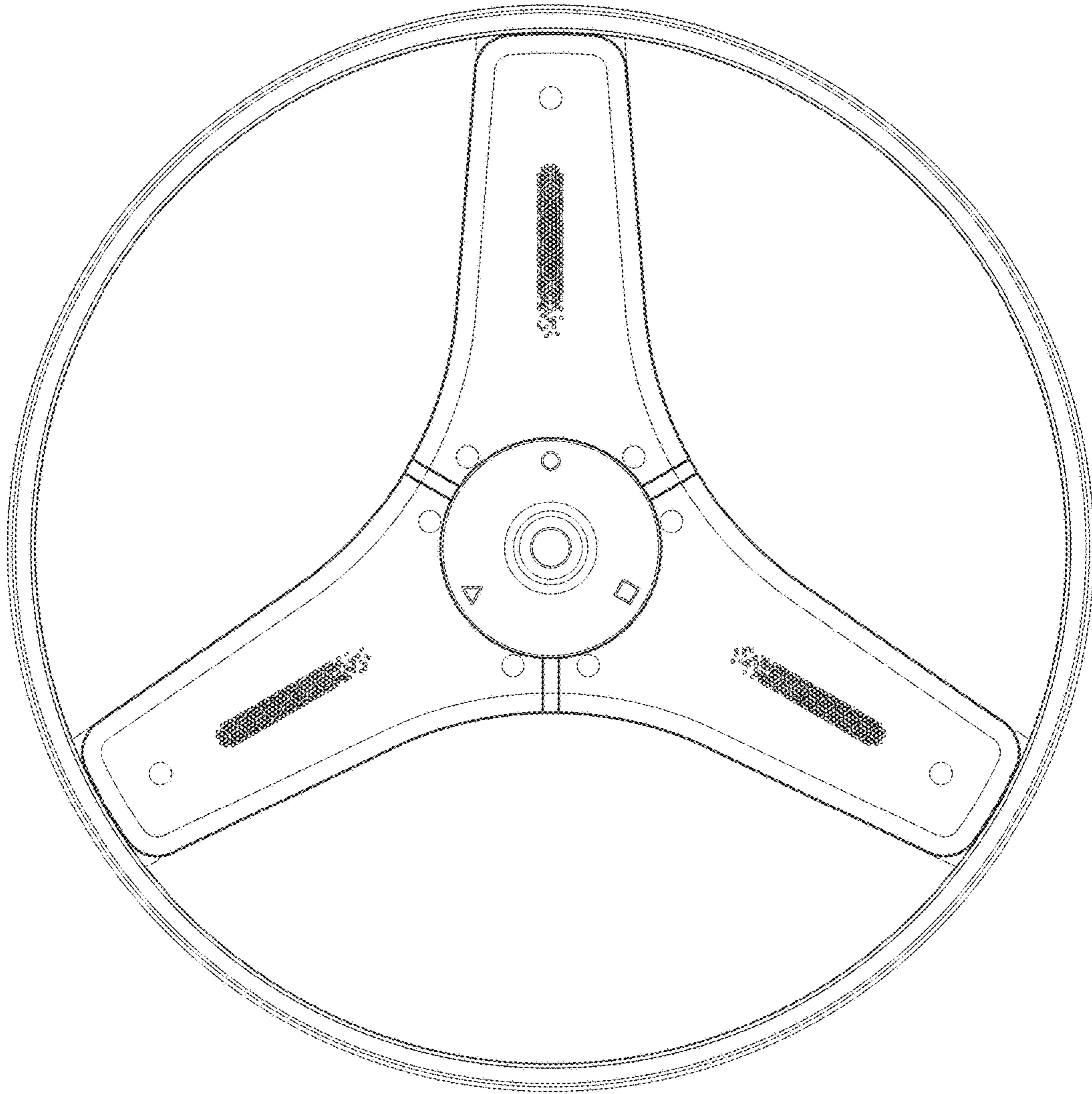
(56) **References Cited**  
U.S. PATENT DOCUMENTS  
1,619,802 A \* 3/1927 Baker ..... B60B 1/00  
29/894.341  
D219,966 S \* 2/1971 Halibrand ..... D12/209  
D299,918 S \* 2/1989 Envall ..... D12/209

**1 Claim, 7 Drawing Sheets**





**FIG. 1**



**FIG. 2**

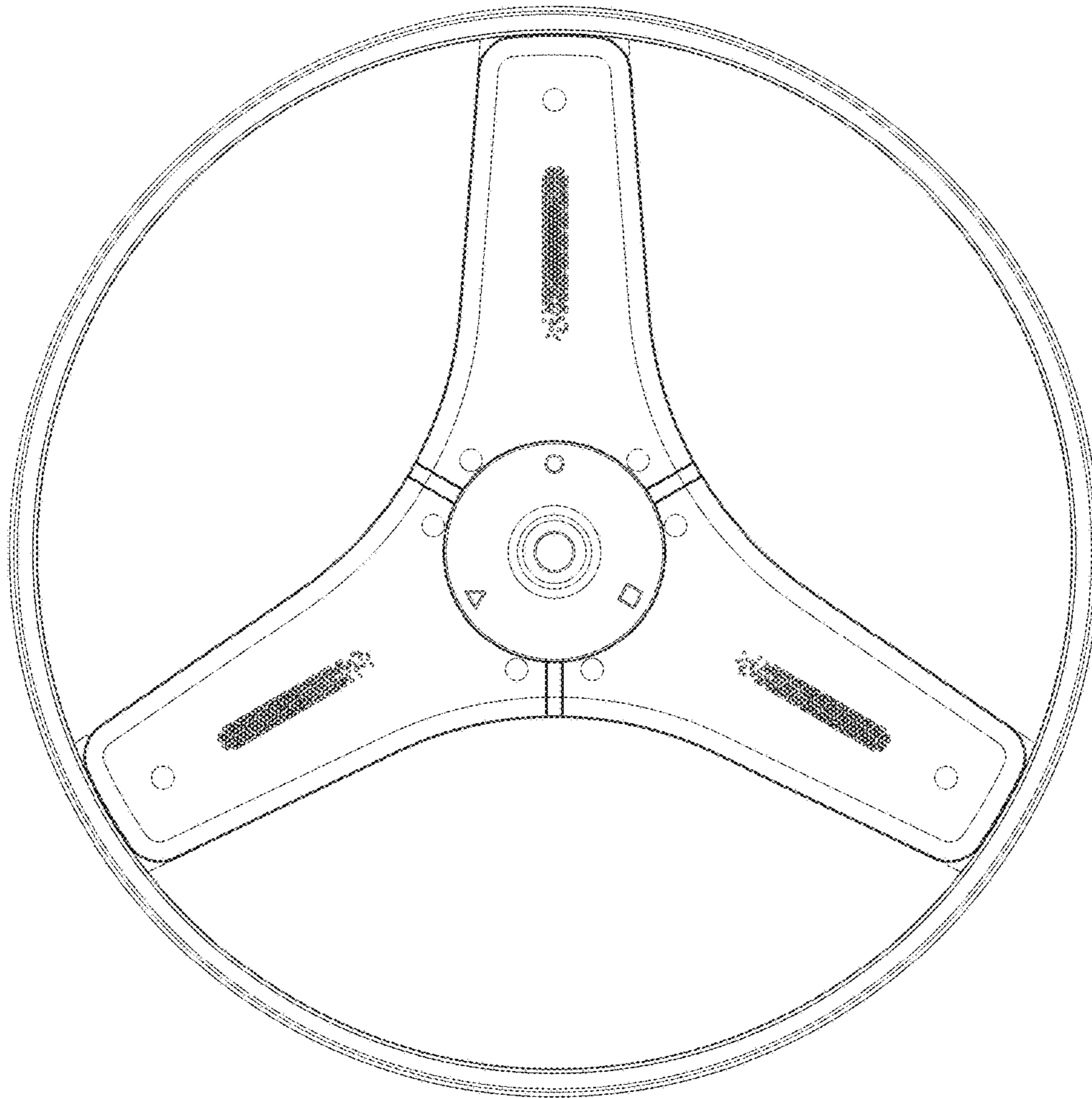
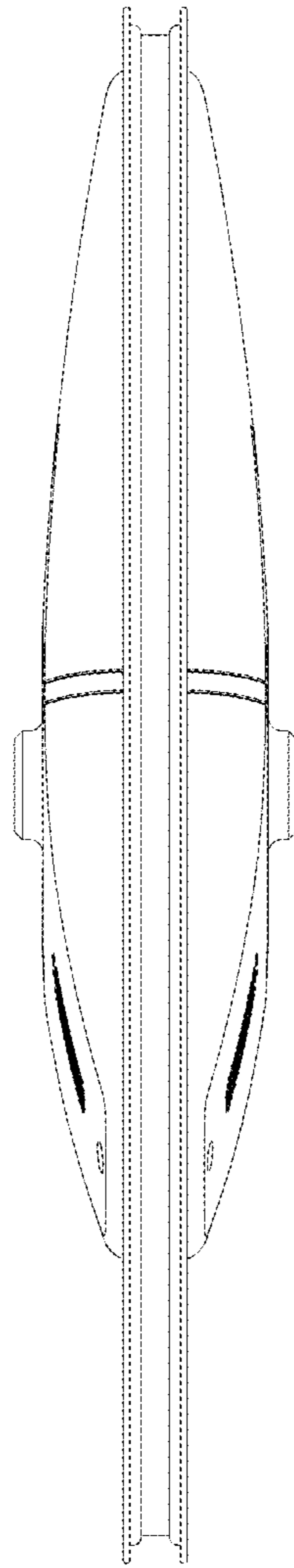
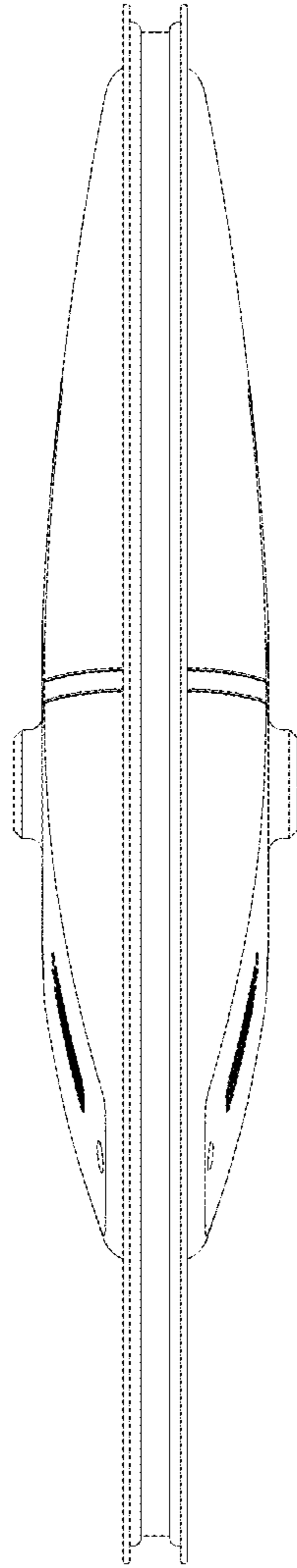


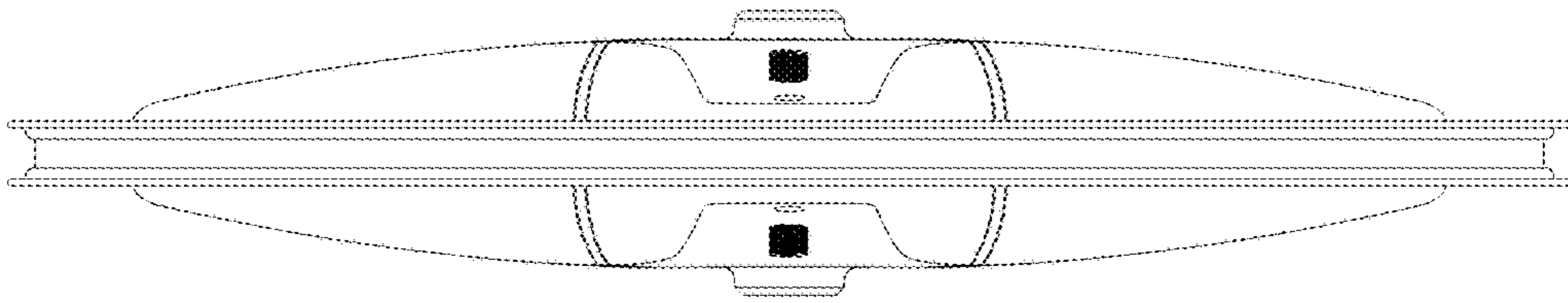
FIG. 3



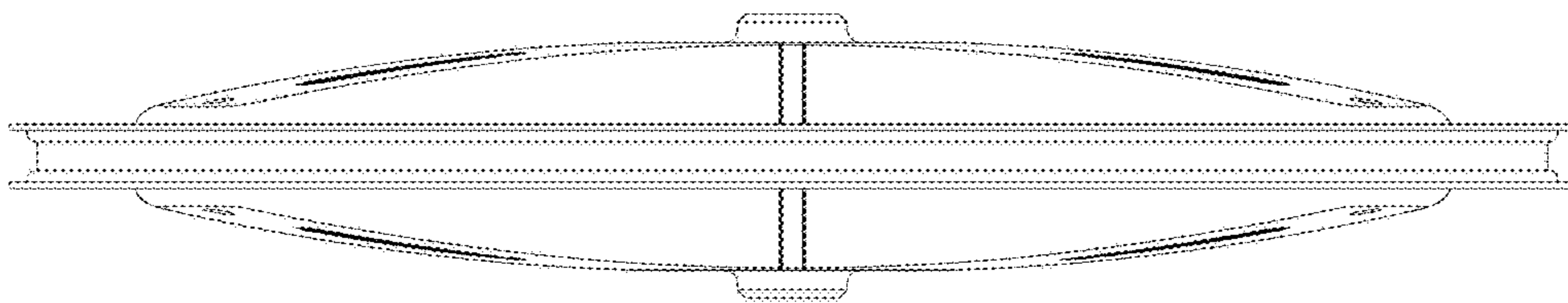
**FIG. 4**



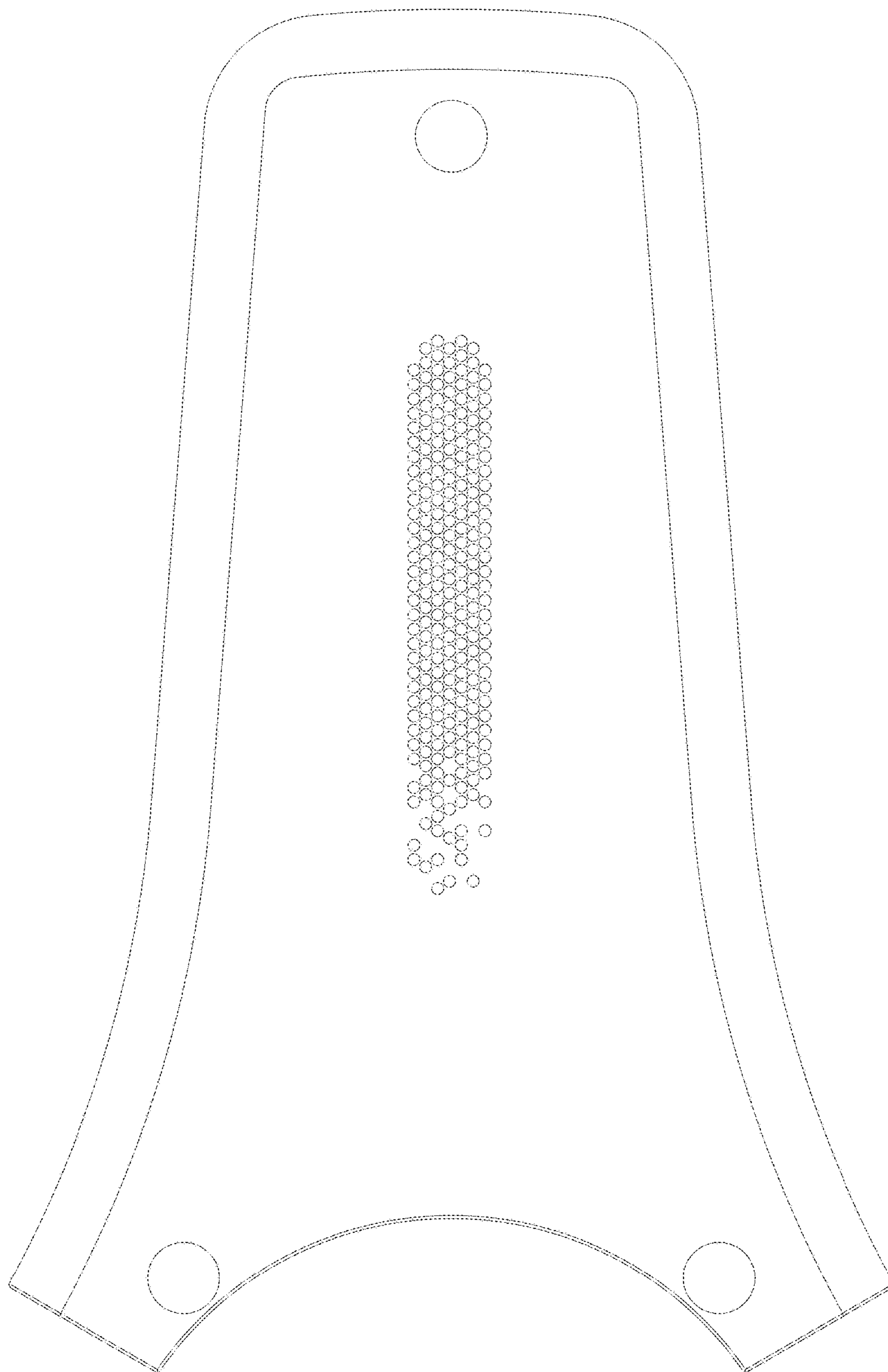
**FIG. 5**



**FIG. 6**



**FIG. 7**



**FIG. 8**