



US00D816574S

(12) **United States Design Patent**
Loew et al.

(10) **Patent No.:** **US D816,574 S**
(45) **Date of Patent:** **** May 1, 2018**

(54) **CABIN DOOR**

(71) Applicant: **BOMAG GmbH**, Boppard (DE)

(72) Inventors: **Roland Loew**, Klein-Winternheim (DE); **Christian Berg**, Völkenroth (DE); **Thomas Klein**, Wehr (DE); **Tobias Schönberg**, Oberelbert (DE)

(73) Assignee: **BOMAG GmbH**, Boppard (DE)

(**) Term: **15 Years**

(21) Appl. No.: **29/587,353**

(22) Filed: **Dec. 13, 2016**

(30) **Foreign Application Priority Data**

Jun. 13, 2016 (EM) 003188713-0017

(51) **LOC (11) Cl.** **12-16**

(52) **U.S. Cl.**
USPC **D12/196**

(58) **Field of Classification Search**
USPC D12/163–165, 167, 169, 172, 181–183,
D12/196, 400, 190, 315, 317–318;
D15/10, 20, 22, 28, 30, 33
CPC B62D 33/0273; B62D 25/087; B62D
35/007; B62D 35/001; B60J 5/101; B60J
5/10; B60J 5/107; B60J 1/02; B60J 1/04;
B60J 10/02; E05Y 2900/531
See application file for complete search history.

(56) **References Cited**

U.S. PATENT DOCUMENTS

D551,257 S * 9/2007 Selvaraj D15/28
D611,506 S * 3/2010 Loew D15/20
D672,703 S * 12/2012 Saavedra D12/345

D720,370 S * 12/2014 Carter D15/30
D742,940 S * 11/2015 Kushita D15/30
D749,142 S * 2/2016 Erdmann D15/20
D765,735 S * 9/2016 Roemer D15/20
D780,233 S * 2/2017 Saari D15/30
D780,235 S * 2/2017 Kim D15/30

* cited by examiner

Primary Examiner — Ruth McInroy

(74) *Attorney, Agent, or Firm* — Wood Herron & Evans LLP

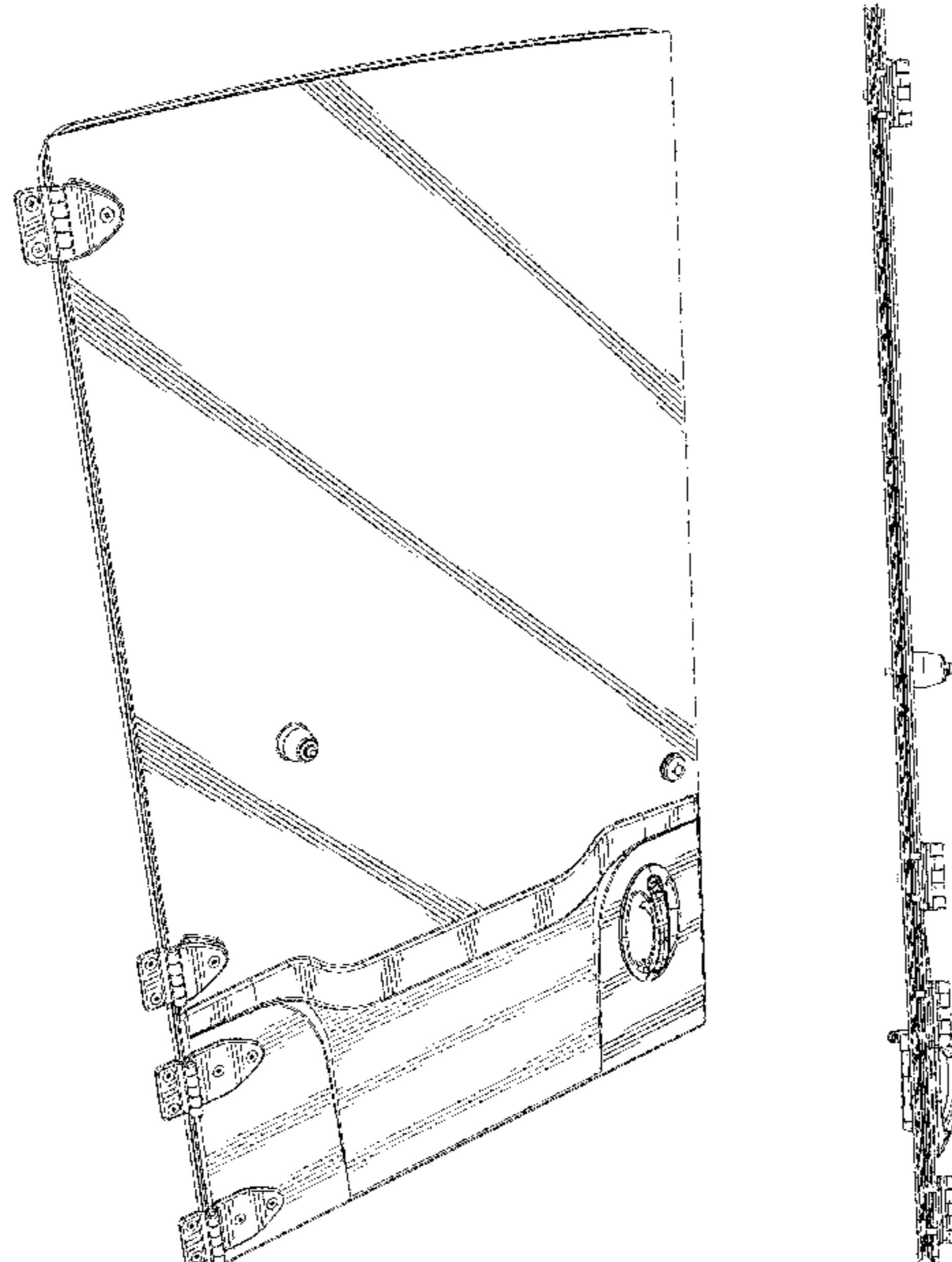
(57) **CLAIM**

The ornamental design for a cabin door, as shown and described.

DESCRIPTION

FIG. 1 is a left front perspective view of a cabin door showing our new design;
FIG. 2 is a right front perspective view of the cabin door shown in FIG. 1;
FIG. 3 is a left rear perspective view of the cabin door shown in FIG. 1;
FIG. 4 is a right rear perspective view of the cabin door shown in FIG. 1;
FIG. 5 is a front elevation view of the cabin door shown in FIG. 1;
FIG. 6 is a rear elevation view of the cabin door shown in FIG. 1;
FIG. 7 is a right side elevation view of the cabin door shown in FIG. 1;
FIG. 8 is a left side elevation view of the cabin door shown in FIG. 1;
FIG. 9 is a top plan view of the cabin door shown in FIG. 1; and,
FIG. 10 is a bottom plan view of the cabin door shown in FIG. 1.

1 Claim, 8 Drawing Sheets



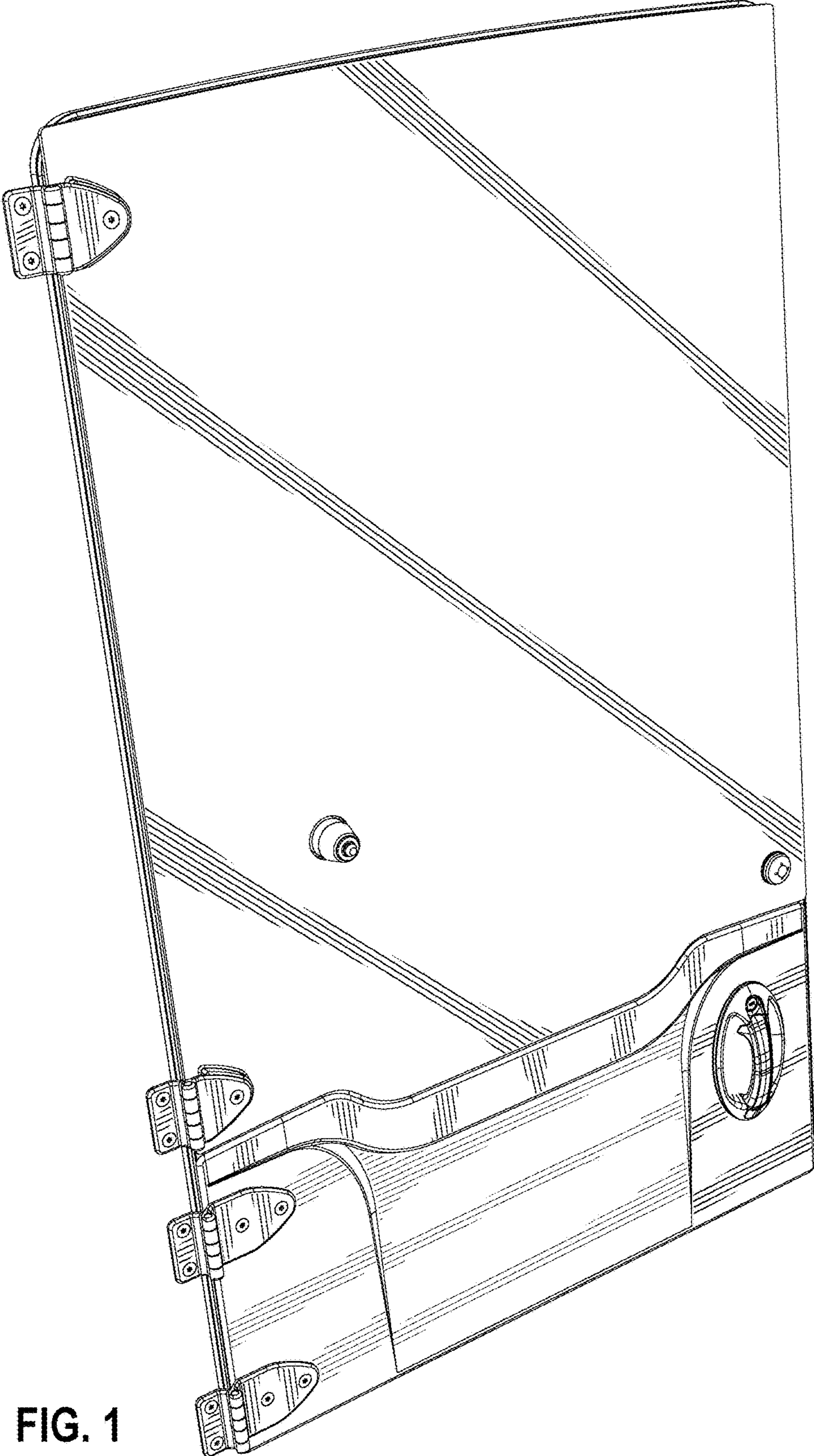


FIG. 1

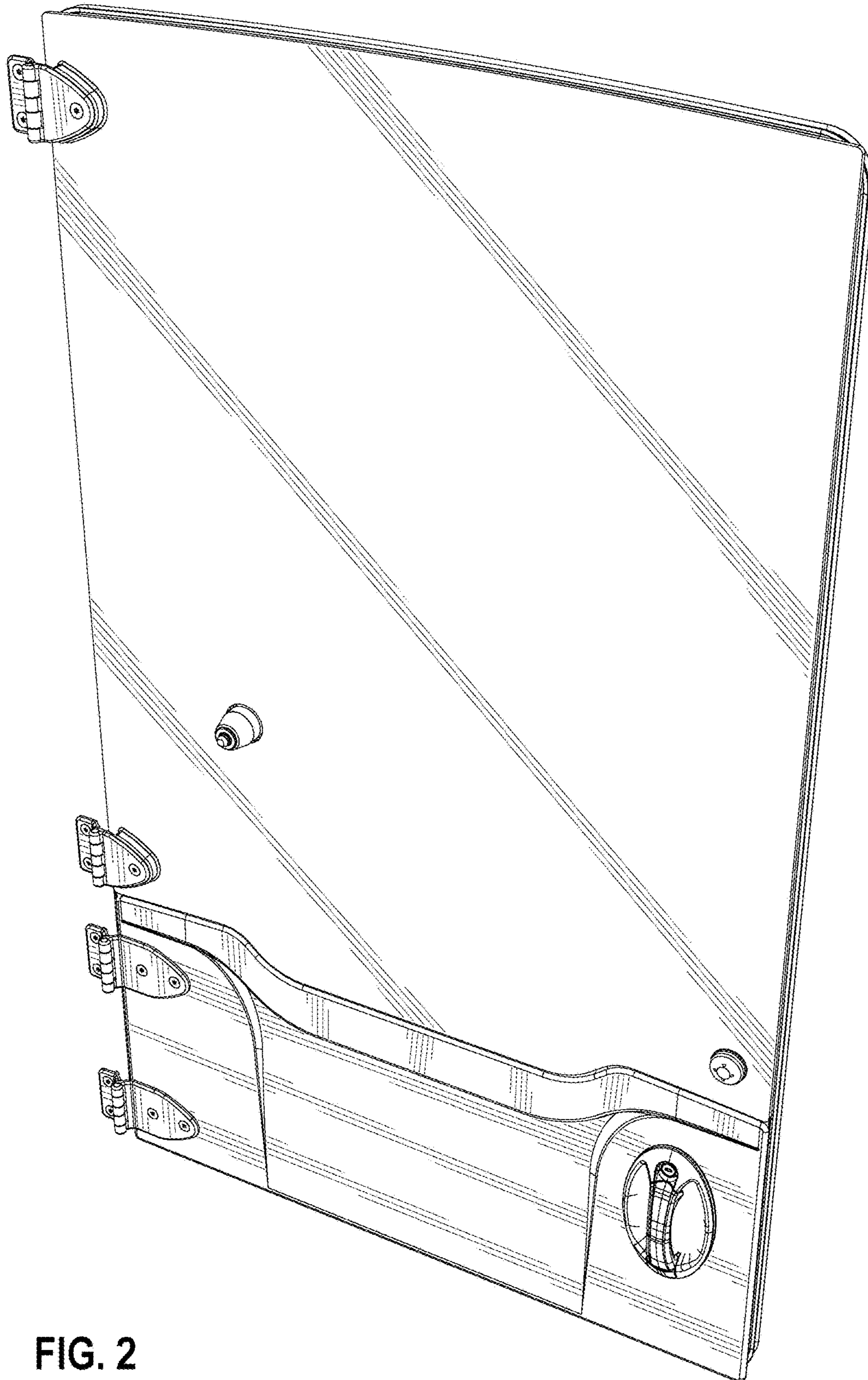


FIG. 2

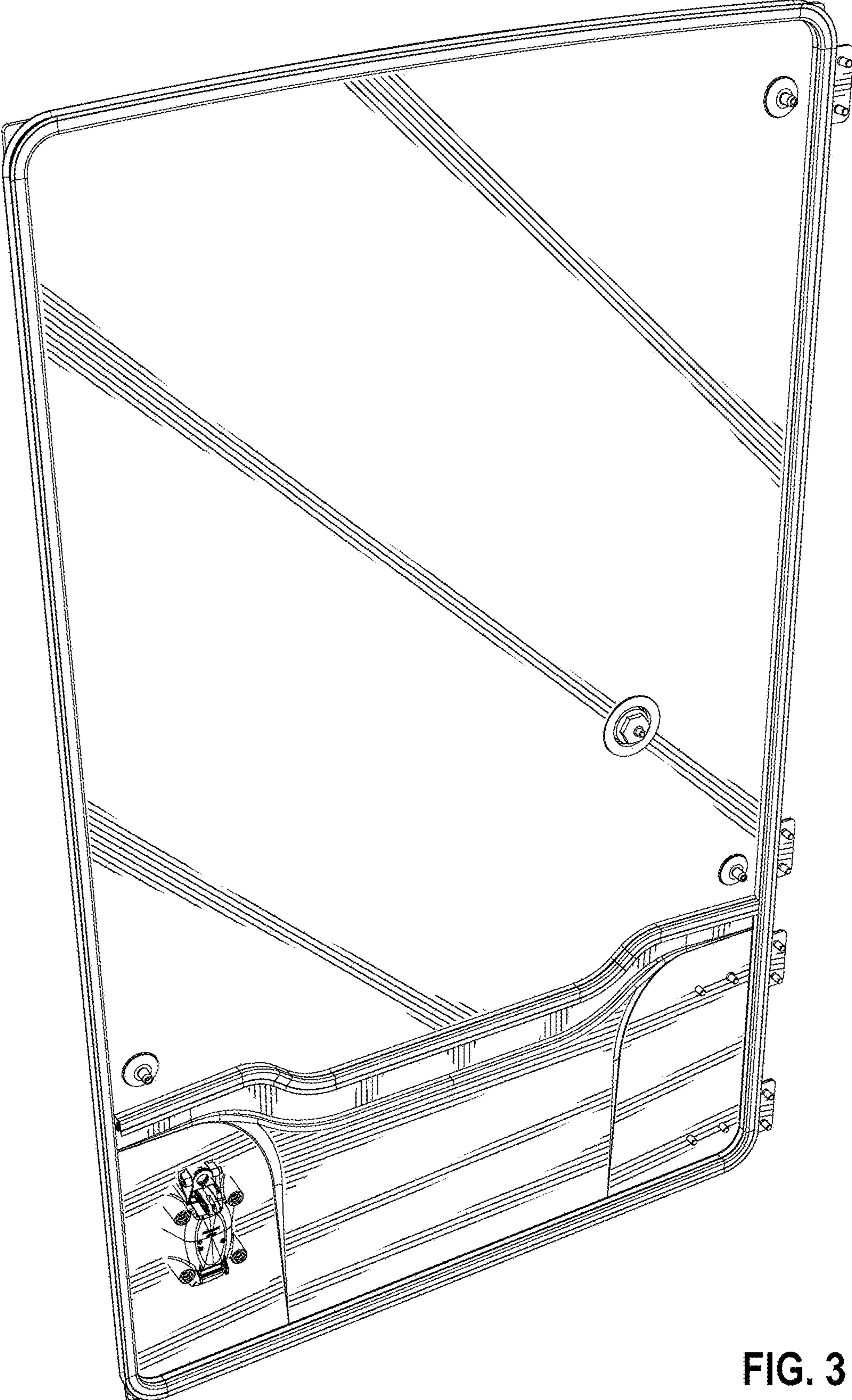


FIG. 3

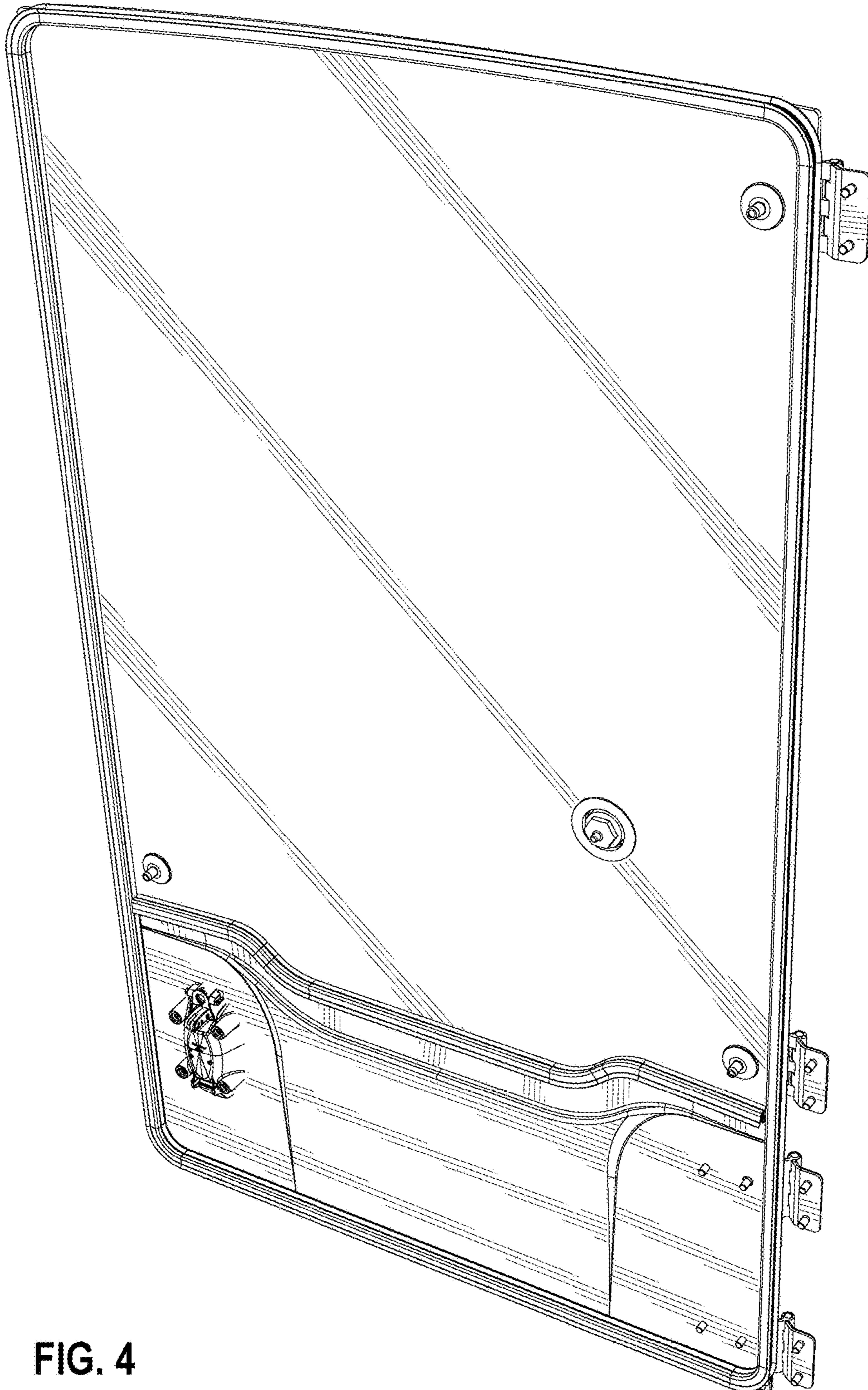


FIG. 4

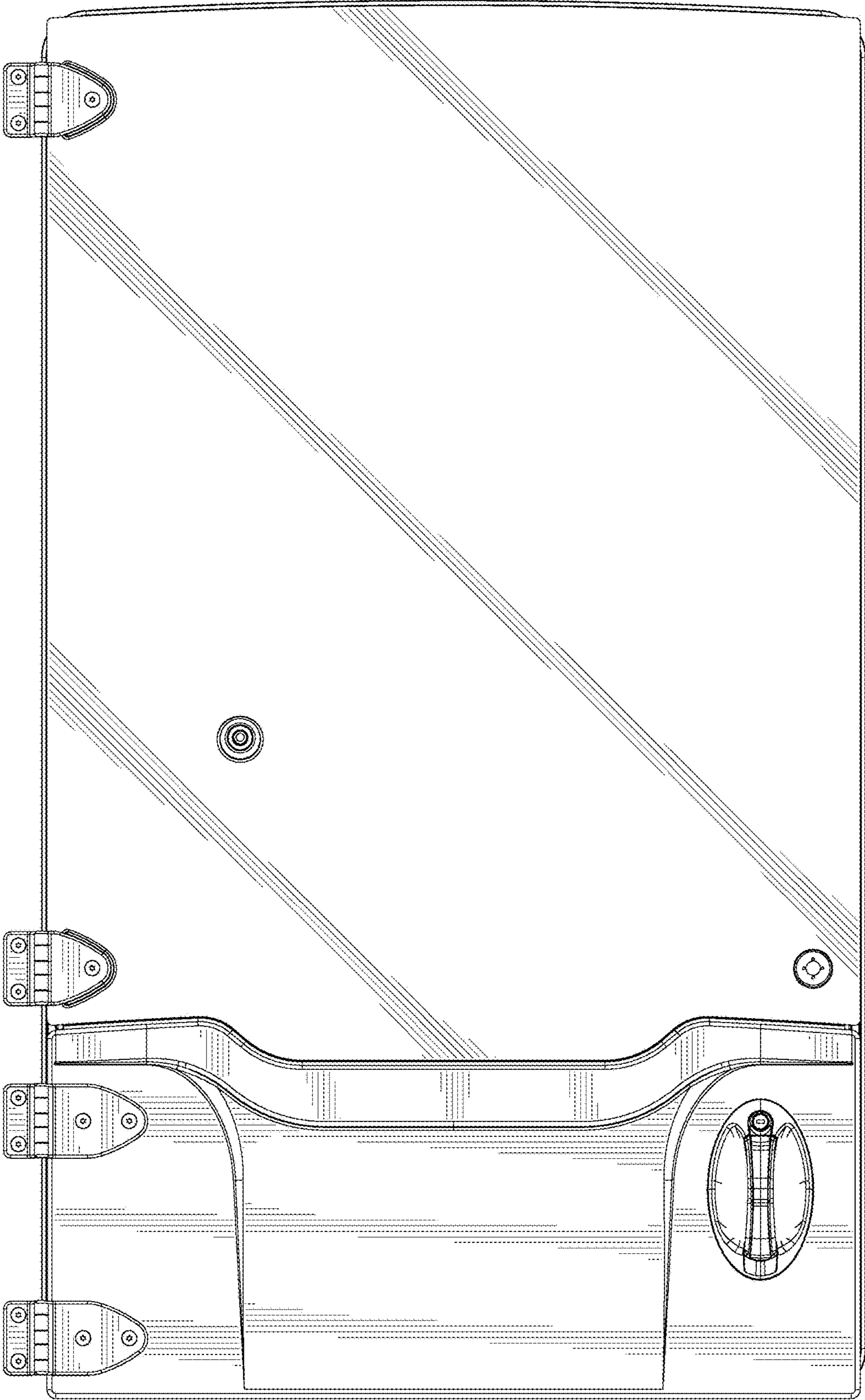


FIG. 5

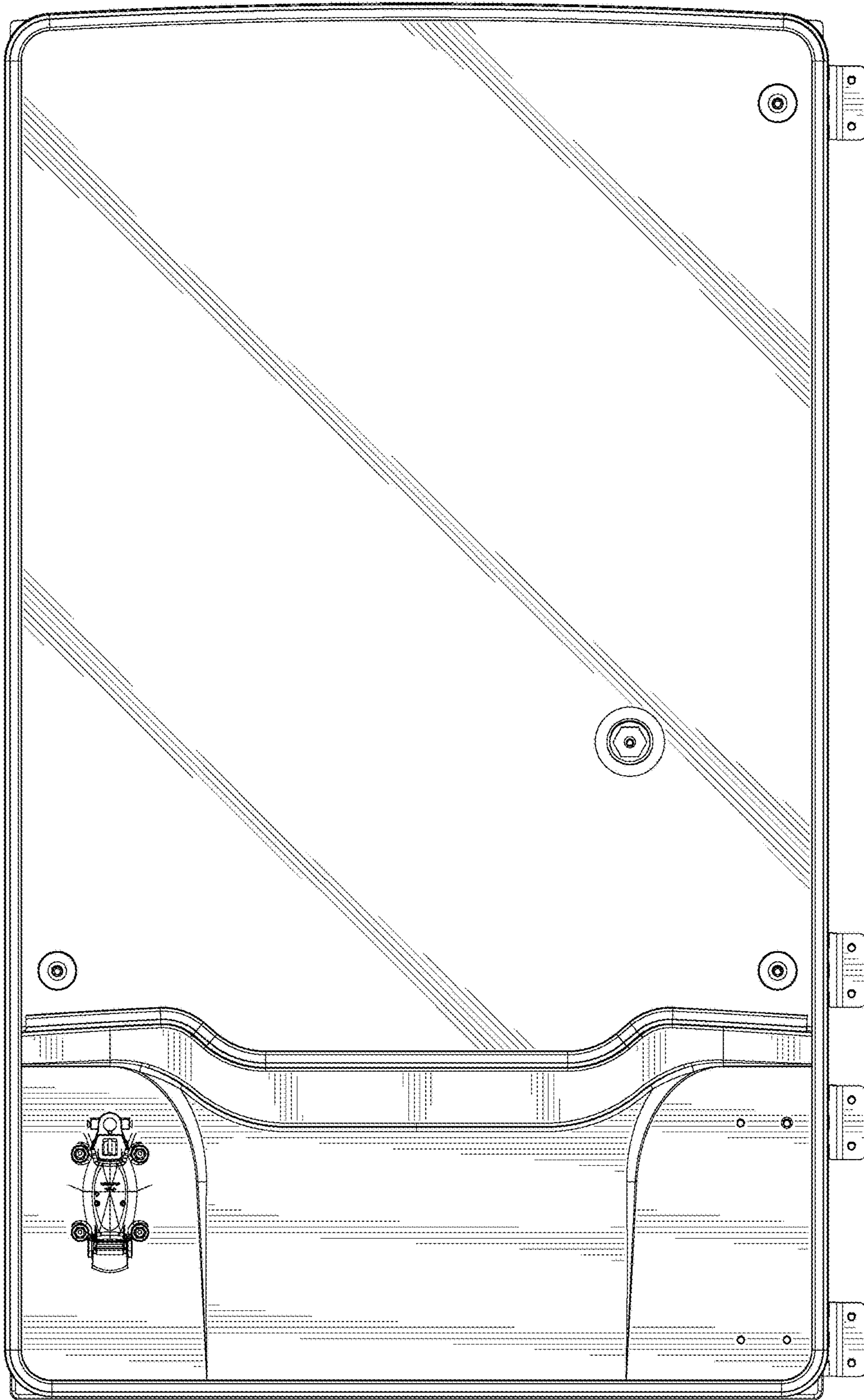


FIG. 6

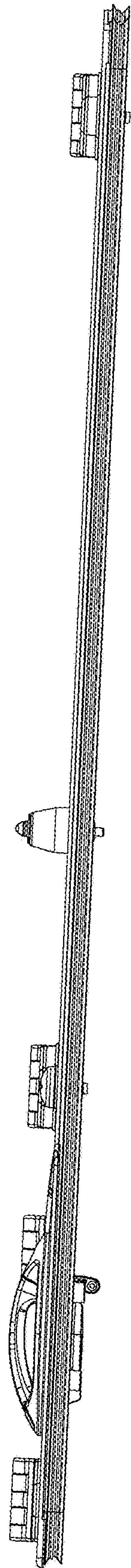


FIG. 7

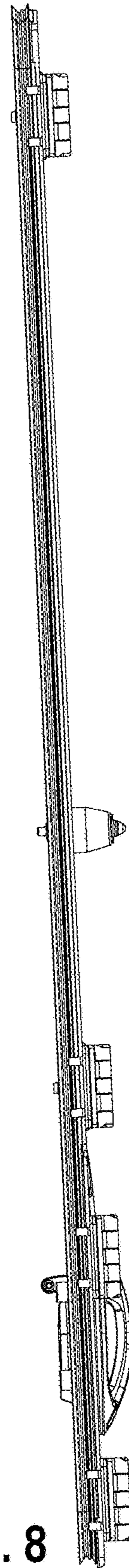


FIG. 8

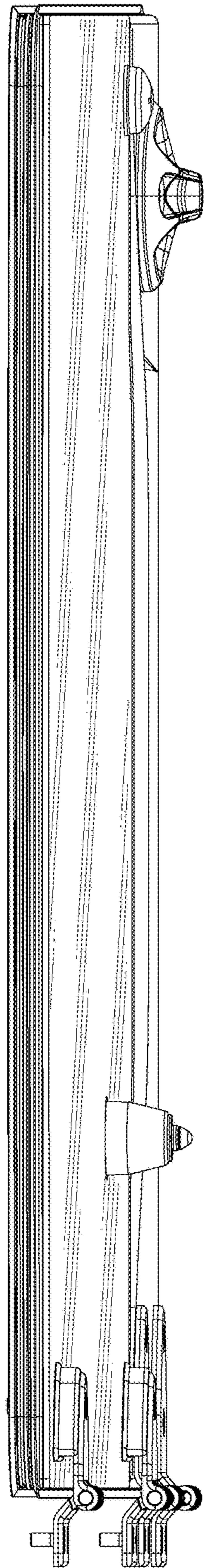


FIG. 9

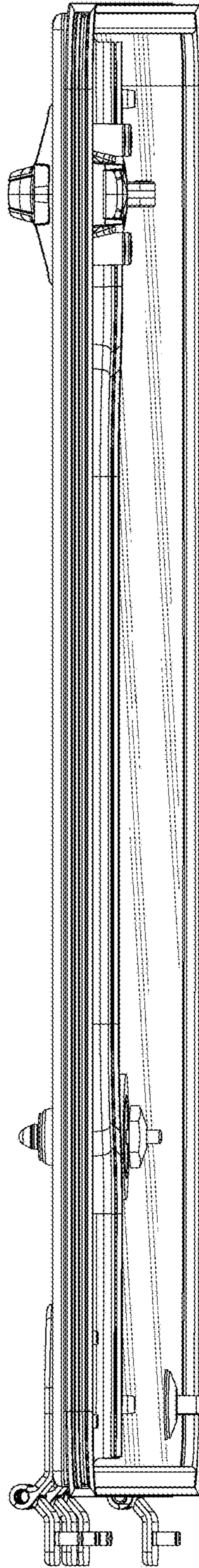


FIG. 10