



US00D816569S

(12) **United States Design Patent** (10) **Patent No.:** **US D816,569 S**  
**Huang** (45) **Date of Patent:** **\*\* May 1, 2018**

(54) **LICENSE PLATE FRAME**  
(71) Applicant: **Tzu-Ming Huang**, Chino, CA (US)  
(72) Inventor: **Tzu-Ming Huang**, Chino, CA (US)  
(\*\*) Term: **15 Years**  
(21) Appl. No.: **29/602,585**  
(22) Filed: **May 2, 2017**  
(51) **LOC (11) Cl.** ..... **12-16**  
(52) **U.S. Cl.**  
USPC ..... **D12/193**  
(58) **Field of Classification Search**  
USPC ..... D12/193; D6/300, 301, 302, 310, 311,  
D6/312, 313, 314; D20/13  
CPC ..... B60R 13/10; B60R 13/105; B60R 19/24;  
B60R 19/52  
See application file for complete search history.

D538,722 S \* 3/2007 Tofer ..... D12/193  
D602,832 S \* 10/2009 Tharp ..... D12/193  
D636,713 S \* 4/2011 Ohm ..... D12/193  
D650,729 S \* 12/2011 Dong ..... D12/193  
D676,792 S \* 2/2013 Benjamini ..... D12/193  
D689,803 S \* 9/2013 Spencer ..... D12/193  
D691,534 S \* 10/2013 Spencer ..... D12/193  
D715,203 S \* 10/2014 Spencer ..... D12/193  
D721,998 S \* 2/2015 Spencer ..... D12/193

\* cited by examiner

*Primary Examiner* — George D. Kirschbaum  
*Assistant Examiner* — Natasha Vujcic  
(74) *Attorney, Agent, or Firm* — Che-Yang Chen; Law  
Offices of Scott Warmuth

(57) **CLAIM**

The ornamental design for a license plate frame, as shown and described.

**DESCRIPTION**

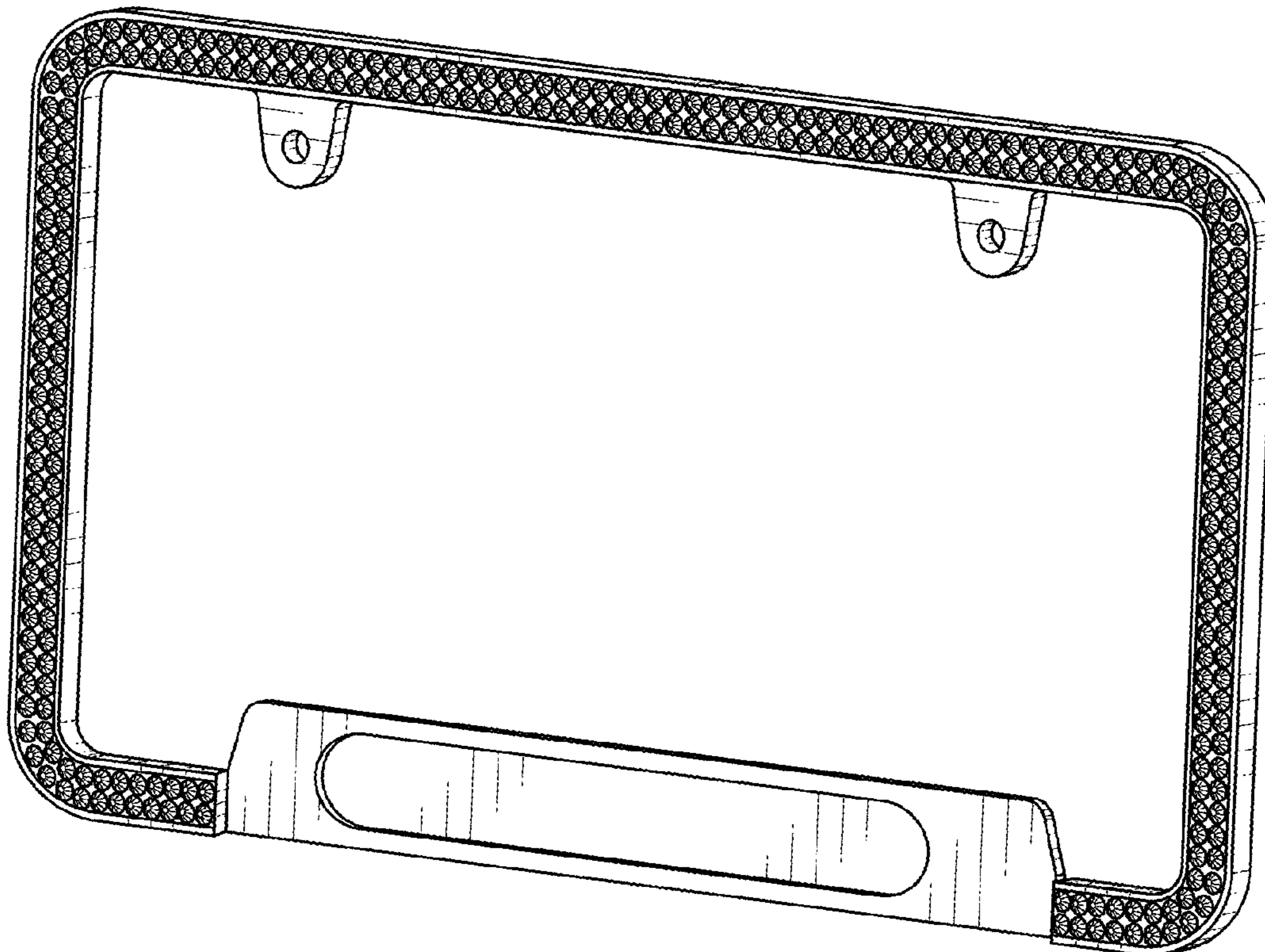
FIG. 1 is a perspective view of a license plate frame showing my new design;  
FIG. 2 is a front elevational view thereof;  
FIG. 3 is a rear elevational view thereof;  
FIG. 4 is a left side elevational view thereof;  
FIG. 5 is a right side elevational view thereof;  
FIG. 6 is a top plan view thereof; and,  
FIG. 7 is a bottom plan view thereof.

**1 Claim, 3 Drawing Sheets**

(56) **References Cited**

U.S. PATENT DOCUMENTS

D521,916 S \* 5/2006 Spencer ..... D12/193  
D524,210 S \* 7/2006 Spencer ..... D12/193  
D524,707 S \* 7/2006 Spencer ..... D12/193  
D537,395 S \* 2/2007 Magee ..... D12/193



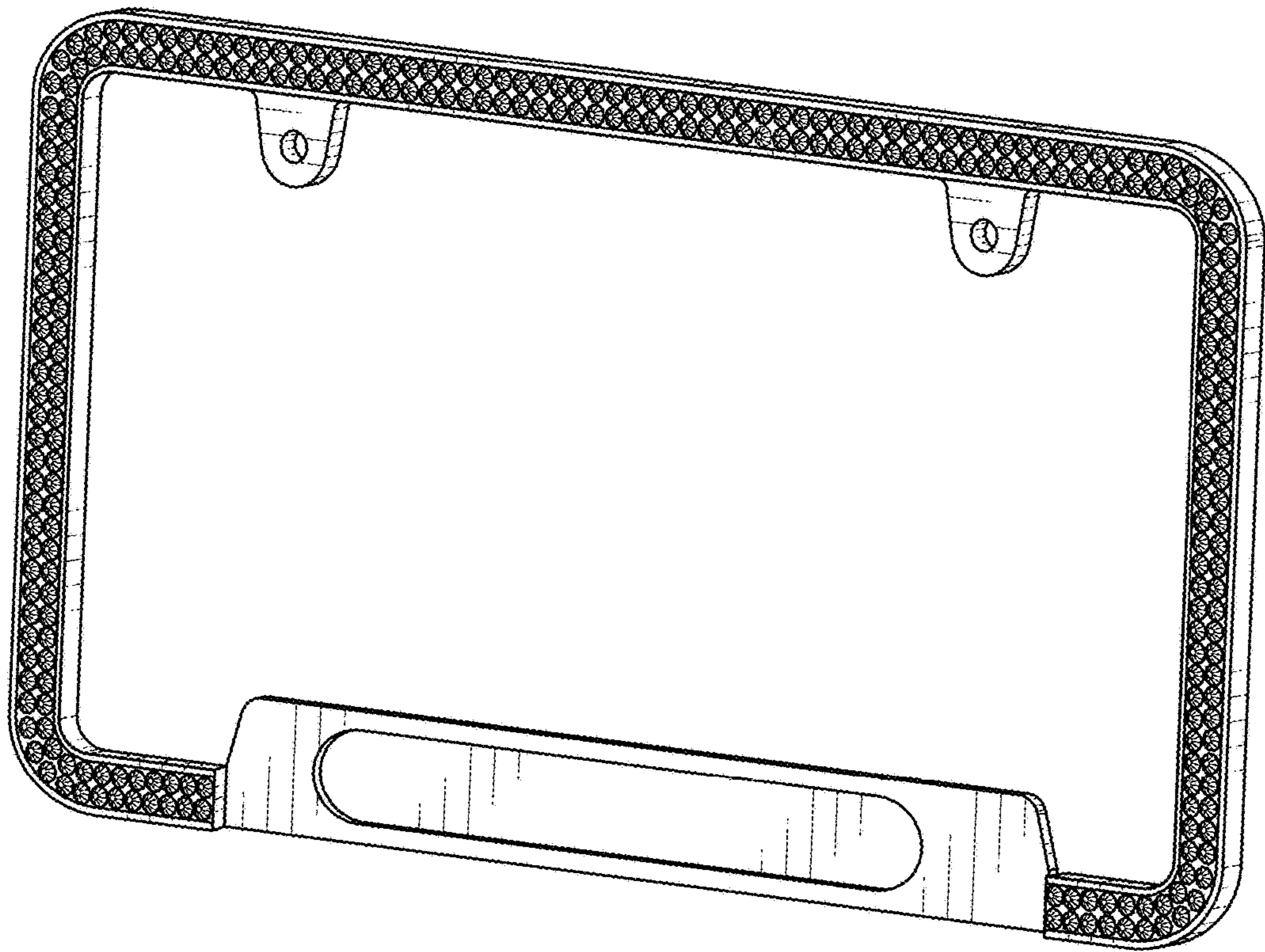


FIG. 1

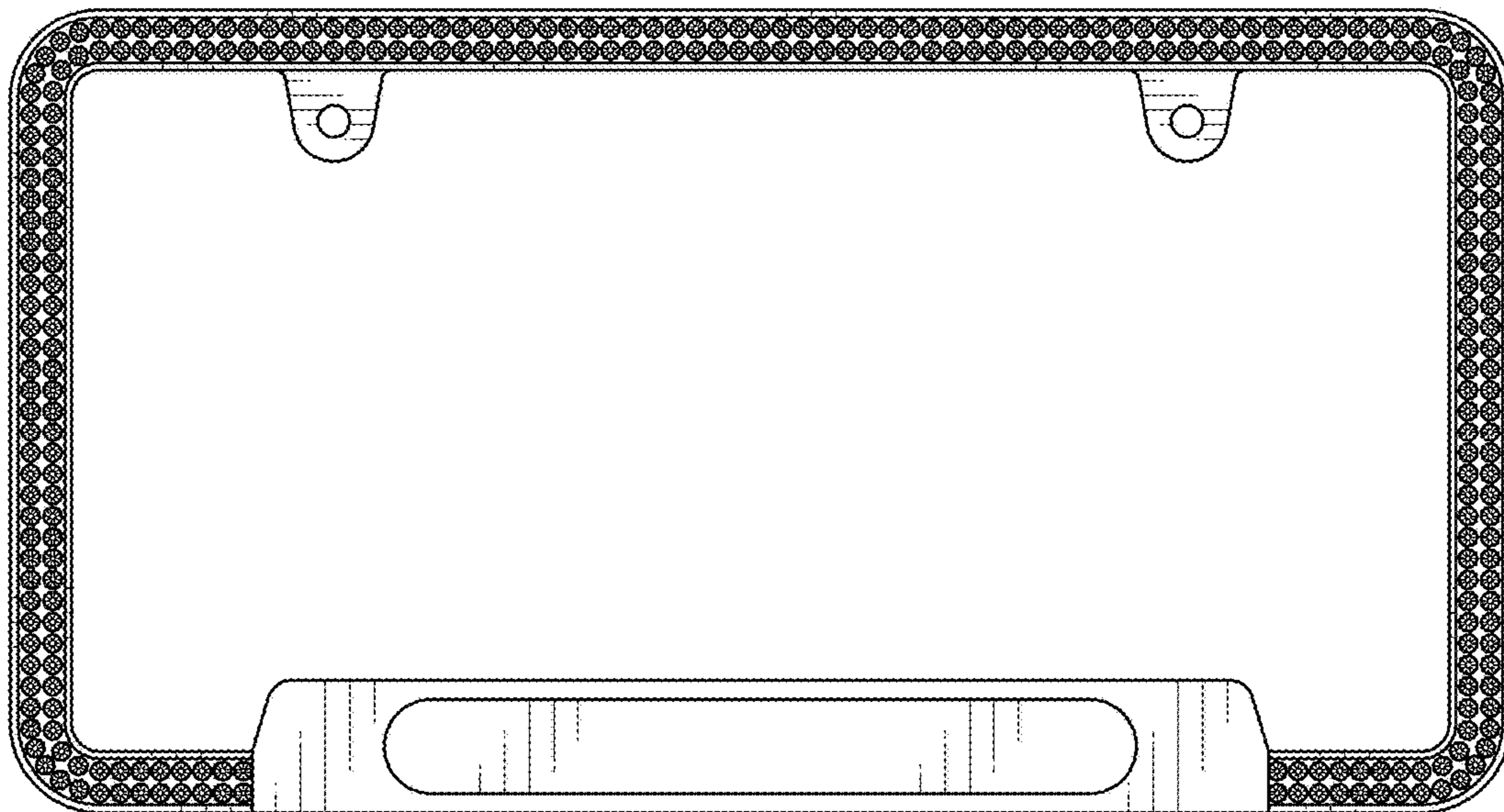


FIG. 2

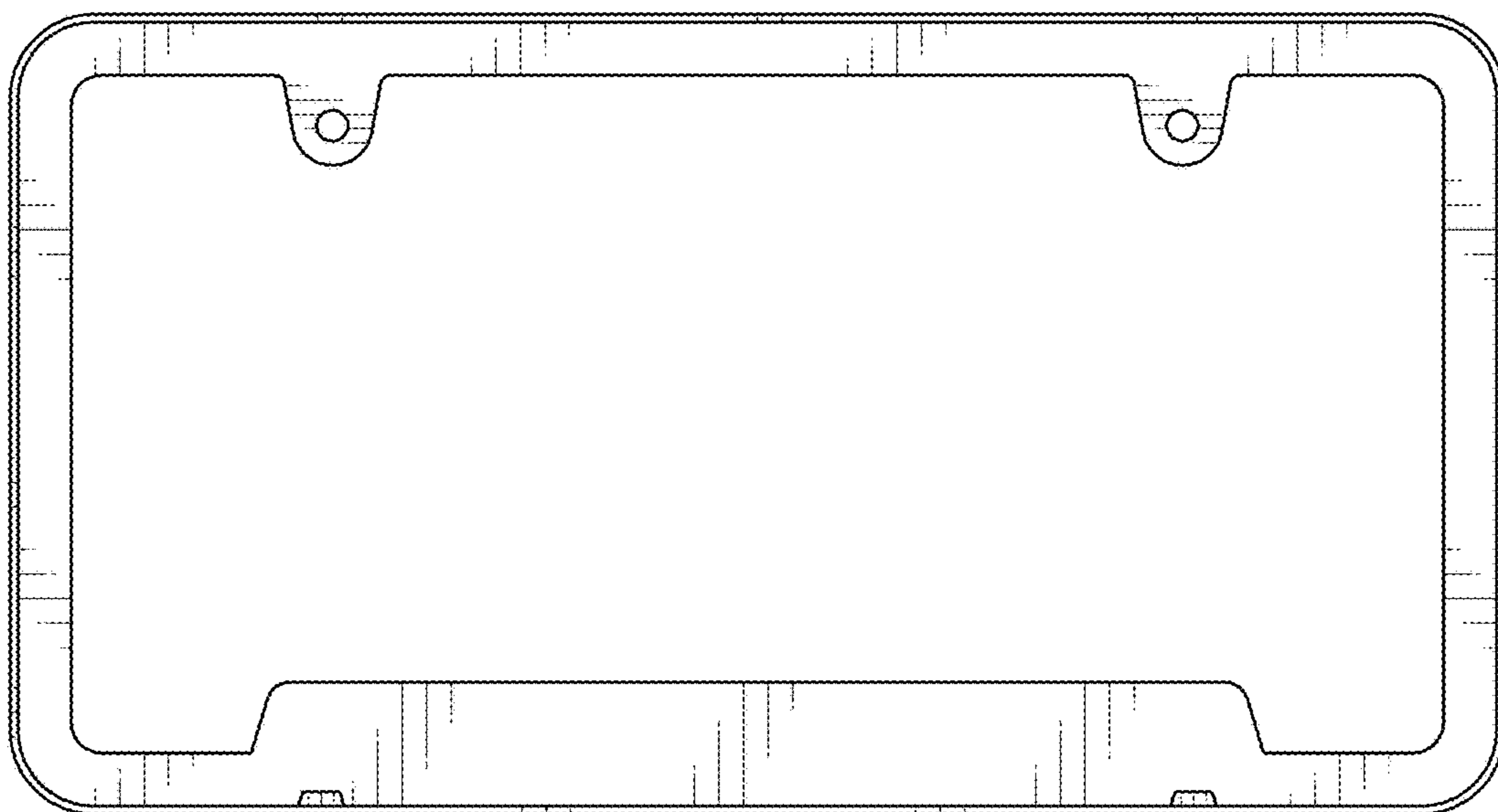


FIG. 3



FIG. 4



FIG. 5



FIG. 6

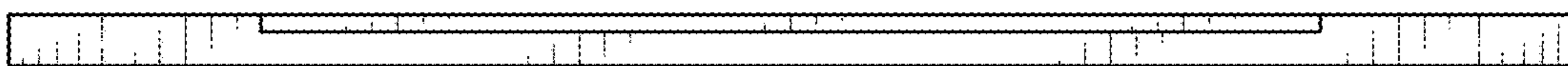


FIG. 7