



US00D816568S

(12) **United States Design Patent**
Scheinhütte

(10) **Patent No.:** **US D816,568 S**

(45) **Date of Patent:** **** May 1, 2018**

(54) **SPOILER FOR MOTOR VEHICLE**

(71) Applicant: **Dr. Ing. h.c. F. Porsche**
Aktiengesellschaft, Stuttgart (DE)

(72) Inventor: **Ingo Scheinhütte, Eberdingen (DE)**

(73) Assignee: **Dr. Ing. h.c. F. Porsche**
Aktiengesellschaft, Stuttgart (DE)

(**) Term: **15 Years**

(21) Appl. No.: **29/579,465**

(22) Filed: **Sep. 30, 2016**

(30) **Foreign Application Priority Data**

Jul. 7, 2016 (DE) 40 2016 100 381

(51) **LOC (11) Cl.** **12-16**

(52) **U.S. Cl.**
USPC **D12/181**

(58) **Field of Classification Search**

USPC D12/414, 415, 416, 417, 418, 419, 420,
D12/421, 422, 423, 424, 425, 426, 190,
D12/192, 195, 191, 106, 345, 96, 99, 400,
D12/181, 184, 185

CPC B60R 7/04; B60R 7/18
See application file for complete search history.

(56) **References Cited**

U.S. PATENT DOCUMENTS

4,962,959 A * 10/1990 Horwill B60J 3/002
296/95.1
D356,770 S * 3/1995 Almen D12/181

D377,925 S * 2/1997 Hatter D12/181
D512,668 S * 12/2005 Preiss D12/181
D535,598 S * 1/2007 Murkett D12/181
D586,711 S * 2/2009 Sato D12/181
D625,232 S * 10/2010 Borkert D12/181
D667,763 S 9/2012 Varga
D669,005 S 10/2012 Varga
D717,221 S * 11/2014 Borkert D12/181
D722,929 S 2/2015 Hatter
D752,489 S * 3/2016 Yamamoto D12/181
D763,149 S * 8/2016 Wheel D12/181
D777,627 S * 1/2017 Patel D12/181
D782,946 S * 4/2017 Wheel D12/181
D786,156 S * 5/2017 Kang D12/181

* cited by examiner

Primary Examiner — Karen S Acker

Assistant Examiner — Jerry Shiuan-Hua Hsu

(74) *Attorney, Agent, or Firm* — RatnerPrestia

(57) **CLAIM**

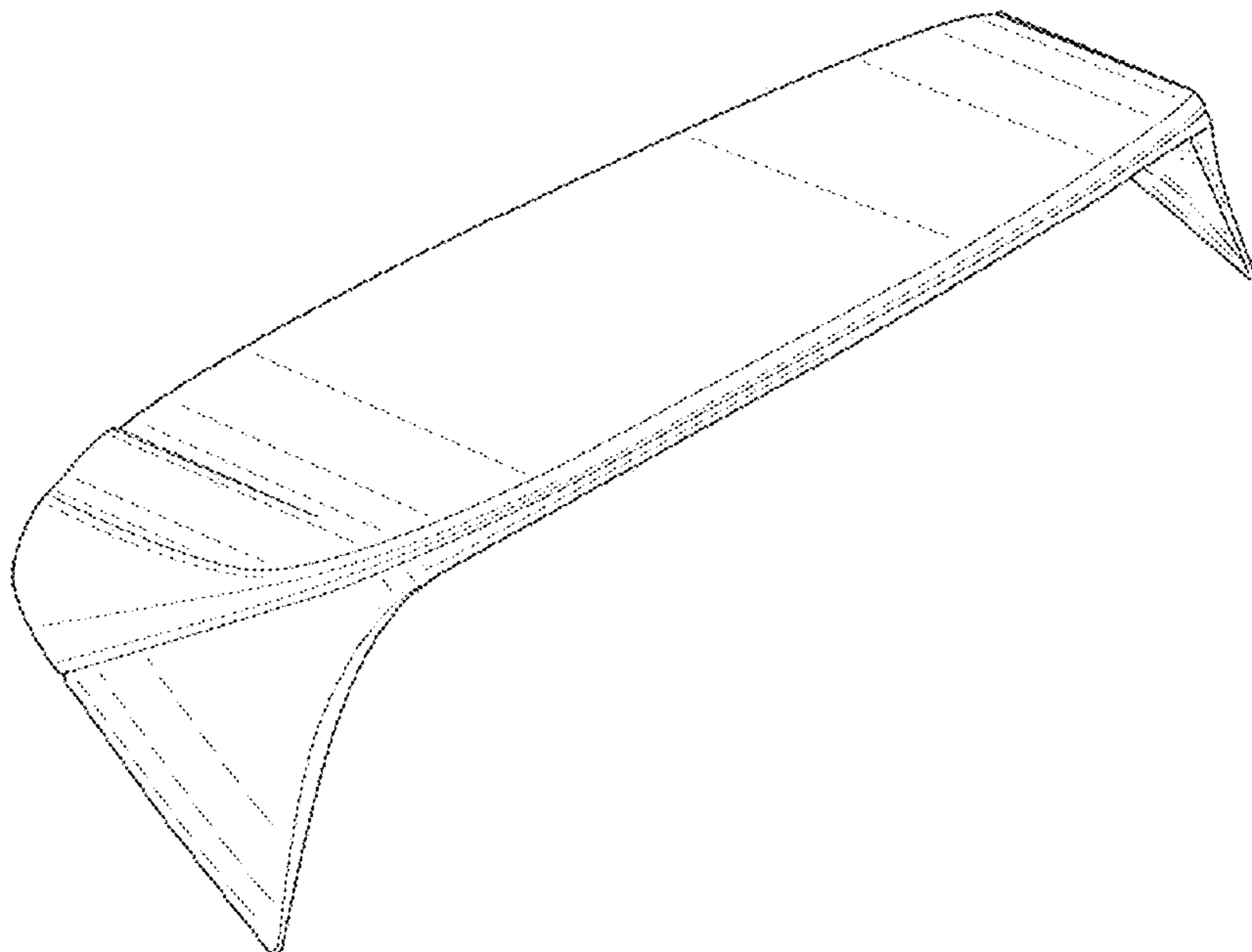
The ornamental design for a spoiler for motor vehicle, as shown and described.

DESCRIPTION

FIG. 1 is a left perspective of a spoiler for motor vehicle;
FIG. 2 is a right perspective view thereof;
FIG. 3 is a front elevation view thereof;
FIG. 4 is a rear elevation view thereof;
FIG. 5 is a right elevation view thereof;
FIG. 6 is a left elevation view thereof;
FIG. 7 is a top plan view thereof; and,
FIG. 8 is a bottom plan view thereof.

The broken lines depict portions of the spoiler for motor vehicle that form no part of the claimed design.

1 Claim, 8 Drawing Sheets



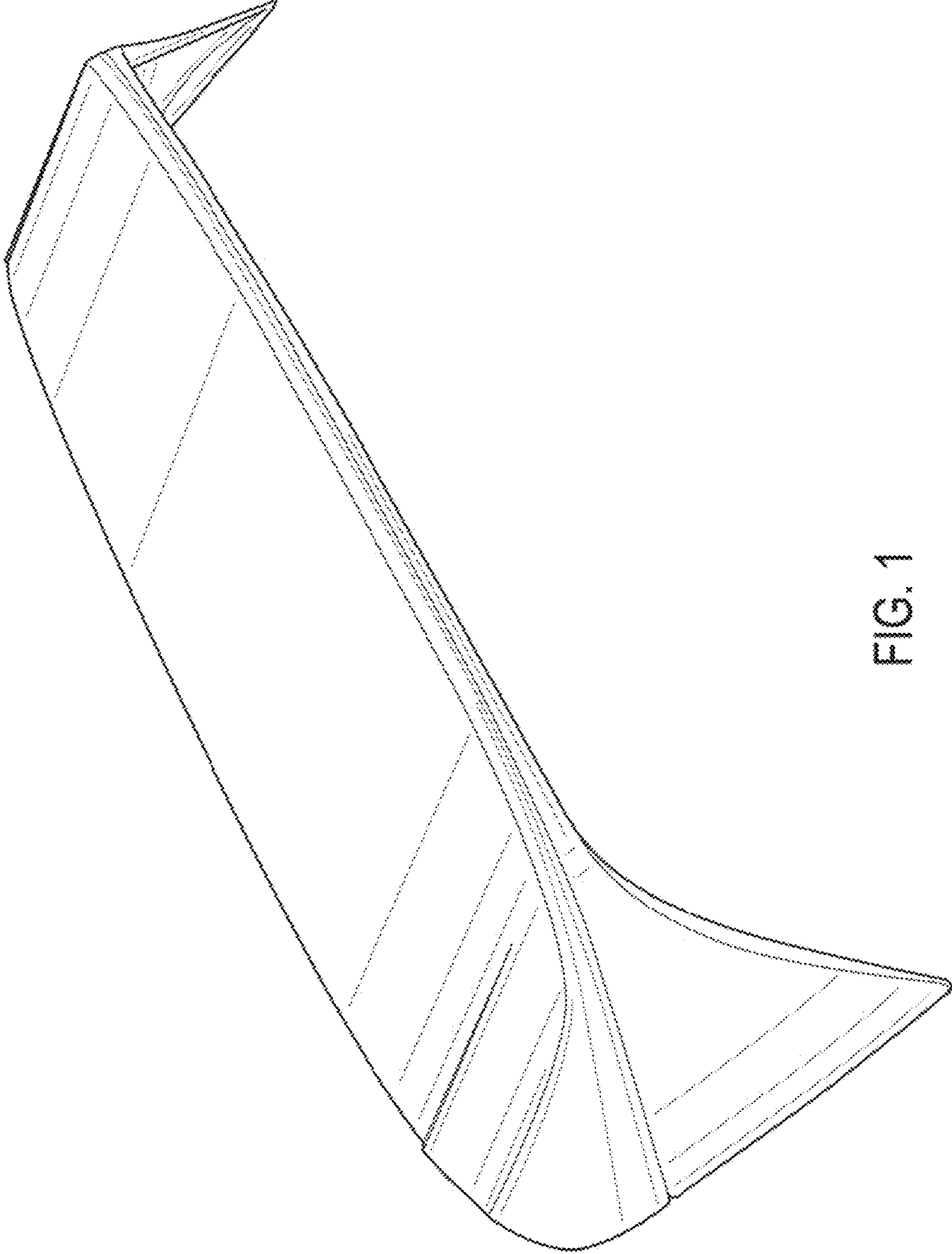


FIG. 1

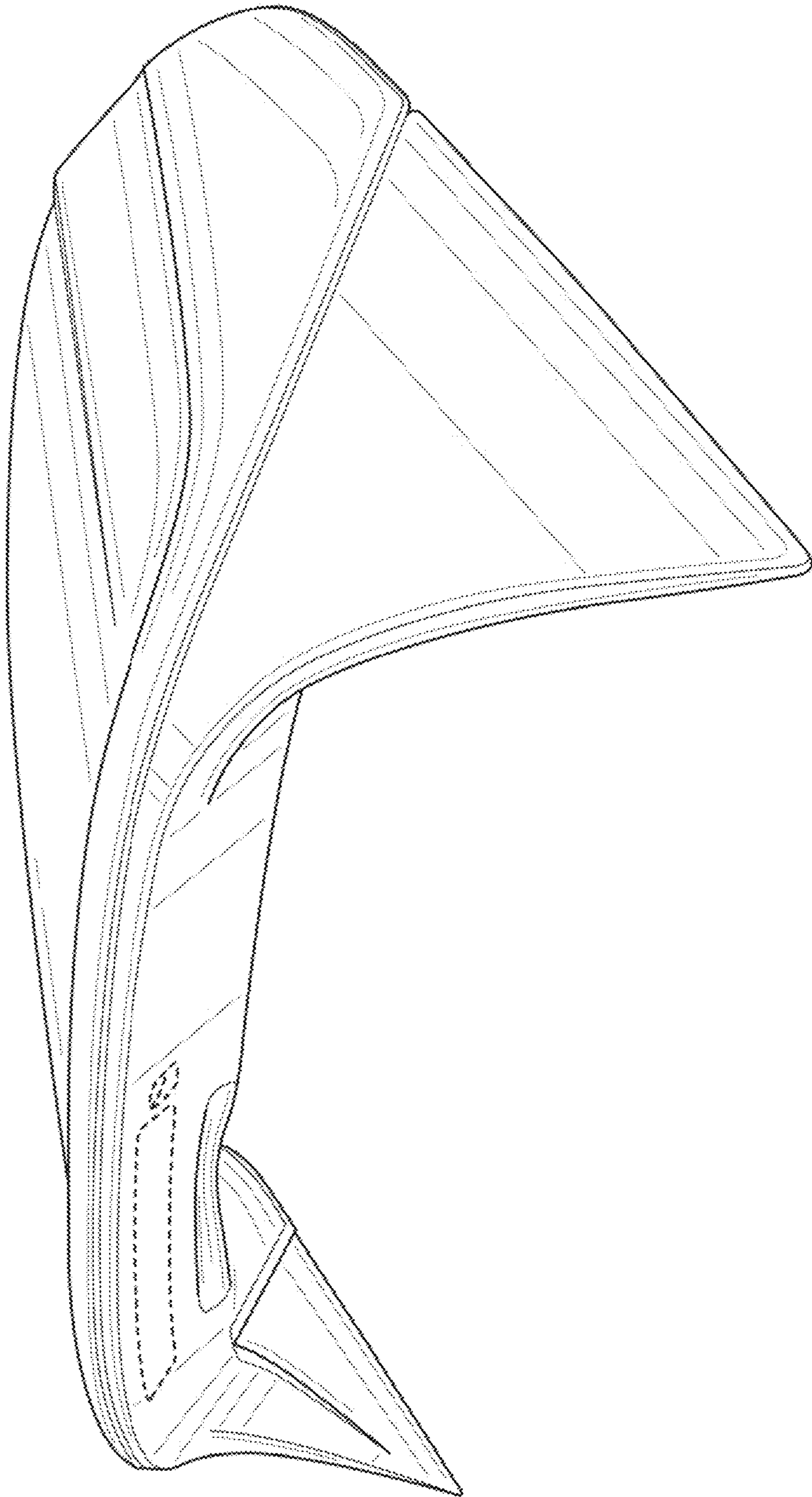


FIG. 2

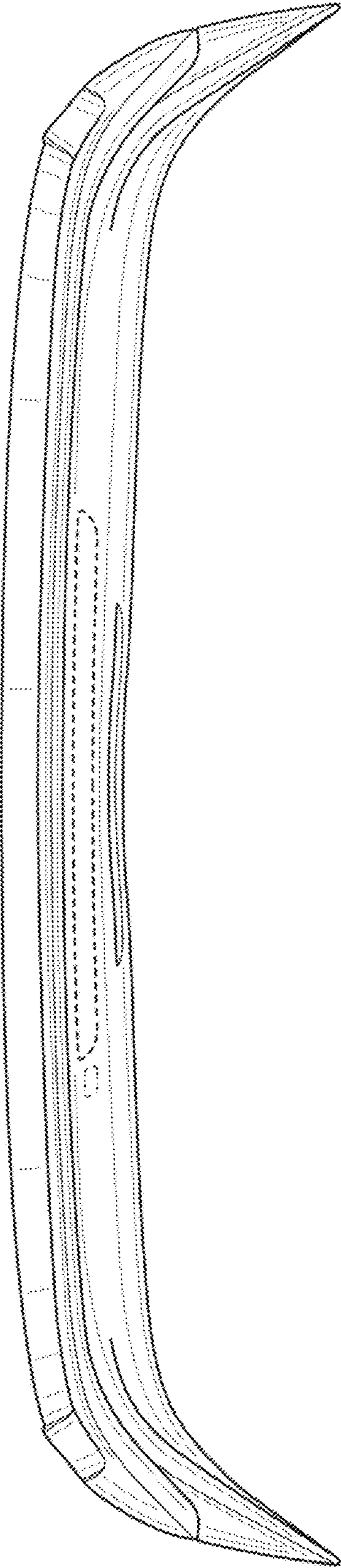


FIG. 3

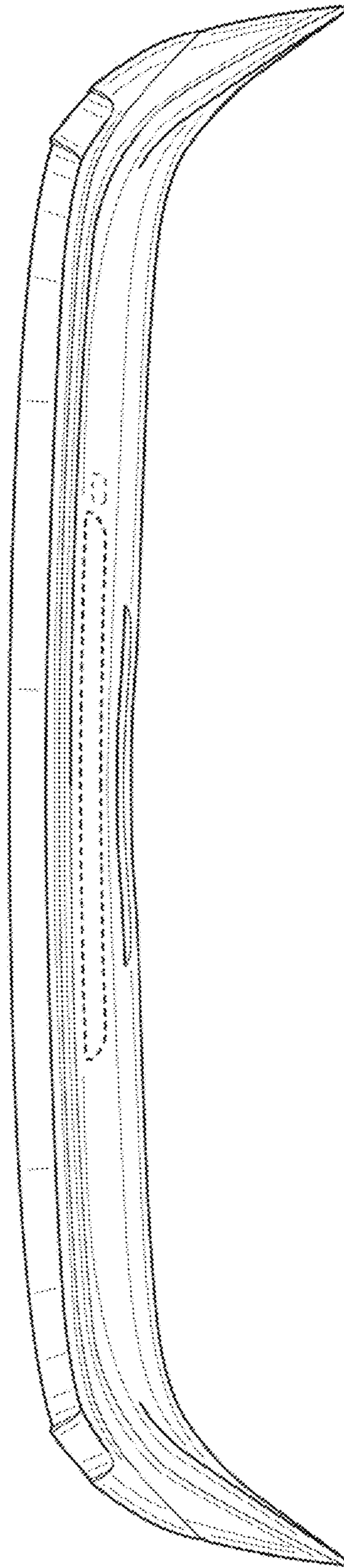


FIG. 4

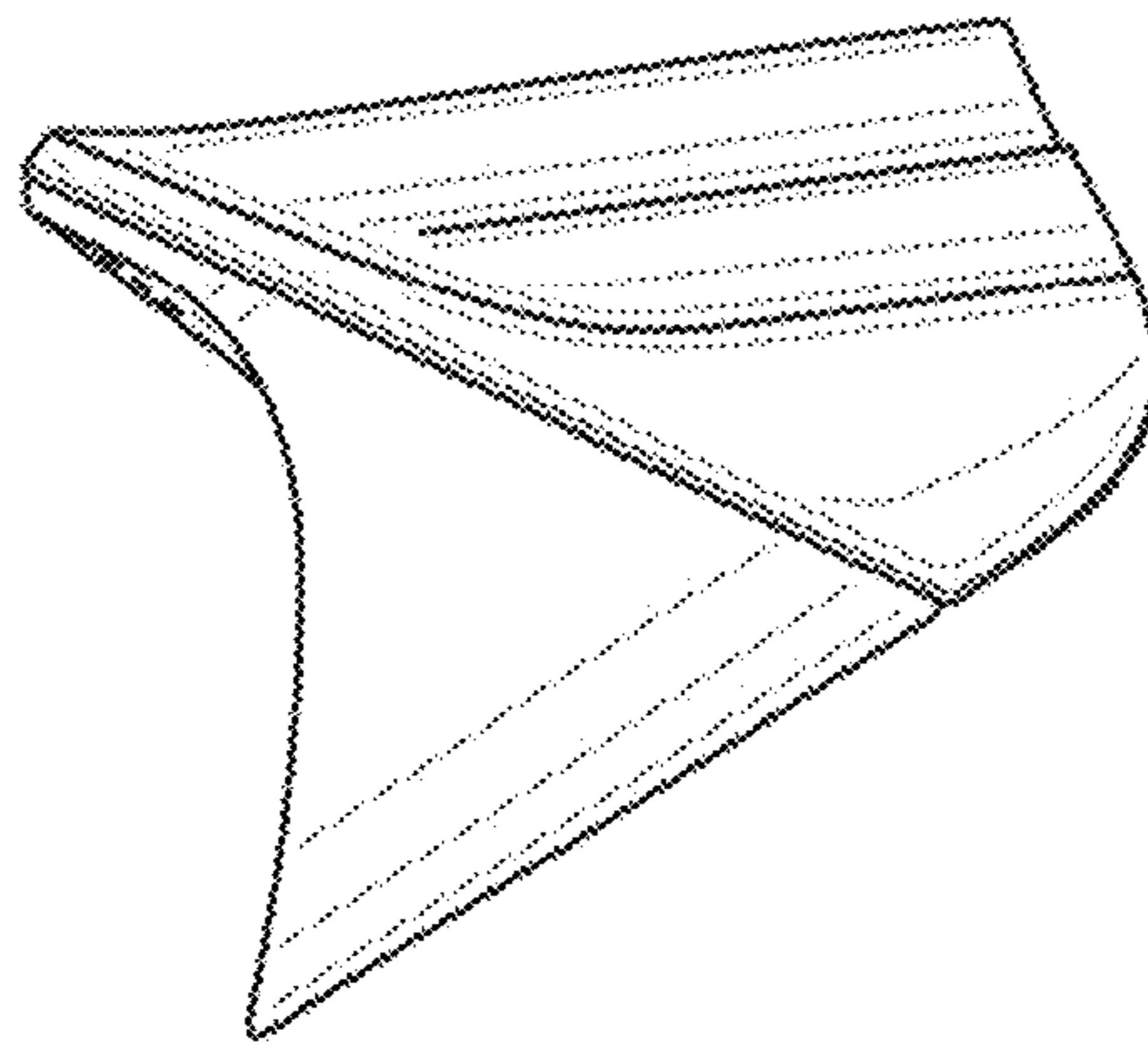


FIG. 5

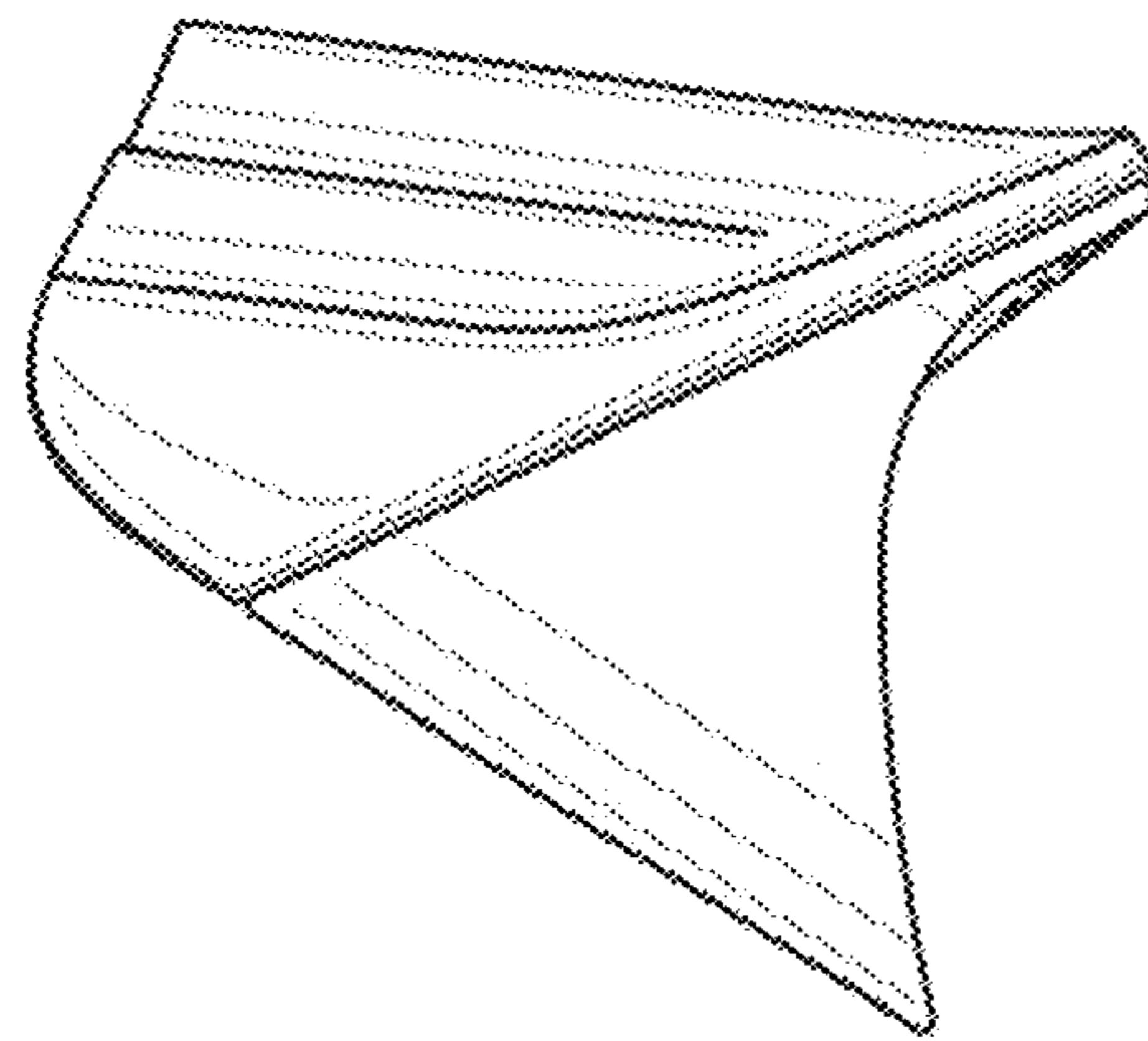


FIG. 6

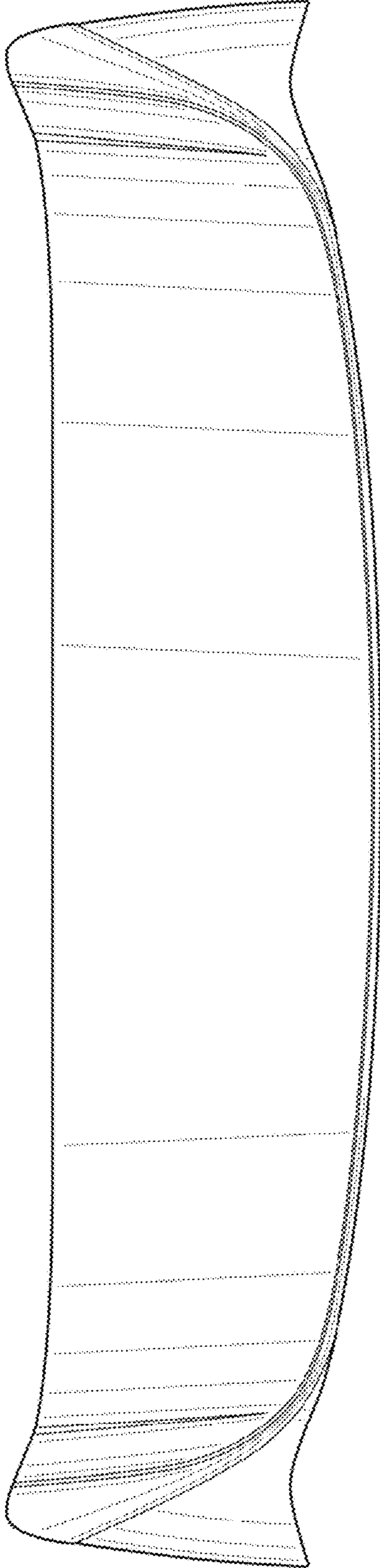


FIG. 7

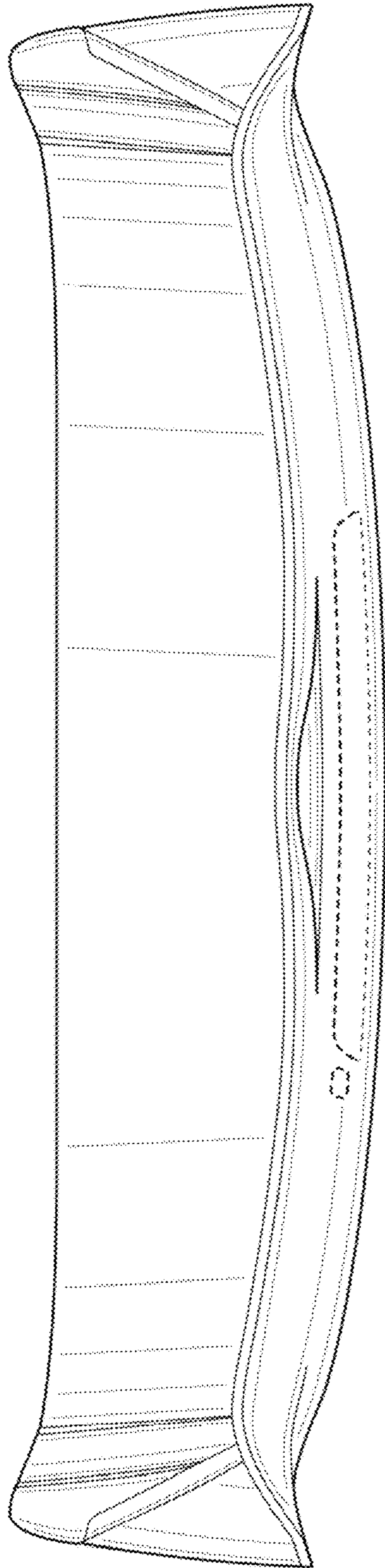


FIG. 8