



US00D816567S

(12) **United States Design Patent** (10) **Patent No.:** **US D816,567 S**
Yoo et al. (45) **Date of Patent:** **** May 1, 2018**

(54) **STEERING WHEEL FOR AUTOMOBILE**

(56) **References Cited**

(71) Applicant: **HYUNDAI MOBIS CO., LTD.**, Seoul (KR)

U.S. PATENT DOCUMENTS

D347,820 S * 6/1994 Plymale D12/176
5,823,666 A * 10/1998 Kingsolver B60Q 1/1484
200/61.54

(72) Inventors: **Sang Hun Yoo**, Seongnam-si (KR);
Sung Hee Lee, Yongin-si (KR); **Han Tae Kang**, Suwon-si (KR); **Sang Seop Lee**, Yongin-si (KR); **Hyung Soo Kim**, Yongin-si (KR)

(Continued)

OTHER PUBLICATIONS

Etnews “[CES 2016] Hyundai Mobis, ‘A Member of National Team’ for Auto Parts—Exhibiting Autonomous Driving Technology” dated Jan. 7, 2016, which is downloadable from <http://www.etnews.com/20160107000264>, in 3 pages; See the steering wheel shown in the lower photo at p. 2.

(73) Assignee: **HYUNDAI MOBIS CO., LTD.**, Seoul (KR)

Primary Examiner — Karen S Acker

(**) Term: **15 Years**

Assistant Examiner — Jerry Shiuan-Hua Hsu

(74) *Attorney, Agent, or Firm* — Knobbe Martens Olson & Bear LLP

(21) Appl. No.: **29/584,813**

(22) Filed: **Nov. 17, 2016**

(57) **CLAIM**

The ornamental design for a steering wheel for automobile, as shown and described herein.

(30) **Foreign Application Priority Data**

May 20, 2016 (KR) 30-2016-0024298

(51) **LOC (11) Cl.** **12-16**

(52) **U.S. Cl.**
USPC **D12/176**

(58) **Field of Classification Search**
USPC D12/221, 400, 401, 412, 317, 406, 414, D12/175, 176, 177, 197, 199, 201, 202, D12/204, 212; D14/214, 204, 210, 215, D14/216; D8/10, 13, 300, 310, 311, 312; D34/16, 23, 28, 34, 35, 38, 21, 22, 24; D6/716; D23/250, 249; D7/624.1, 624.2
CPC A01B 1/00; B65G 7/12; B60P 1/00; B60P 3/1008; B60R 9/08; B60R 9/045; B60R 9/048; B60R 21/203; B60R 21/05; B62D 1/04

See application file for complete search history.

DESCRIPTION

FIG. 1 is a perspective view of a steering wheel for automobile according to the present invention.
FIG. 2 is a front view of the steering wheel for automobile shown in FIG. 1.
FIG. 3 is a rear view of the steering wheel for automobile shown in FIG. 1.
FIG. 4 is a left-side view of the steering wheel for automobile shown in FIG. 1.
FIG. 5 is a right-side view of the steering wheel for automobile shown in FIG. 1.
FIG. 6 is a top plan view of the steering wheel for automobile shown in FIG. 1.

(Continued)

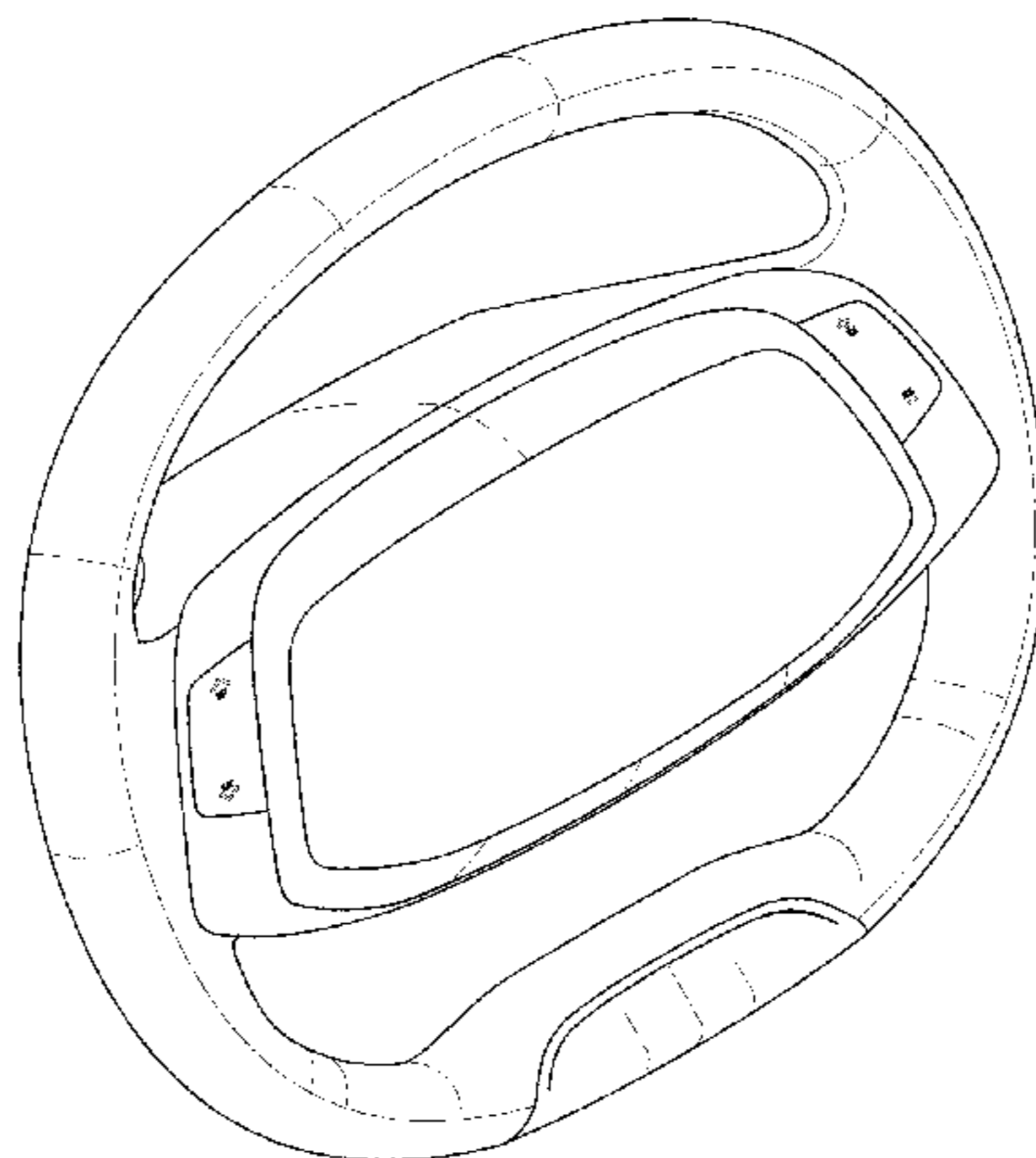


FIG. 7 is a bottom view of the steering wheel for automobile shown in FIG. 1; and,

FIG. 8 is a perspective view of the steering wheel for automobile of FIG. 1 showing the display of a fingerprint recognizing function drawn in broken line.

The broken lines illustrate portions of the steering wheel for automobile that form no part of the claimed design.

1 Claim, 8 Drawing Sheets

(56)

References Cited

U.S. PATENT DOCUMENTS

D464,298 S	*	10/2002	Bartholomai	D12/176
D472,858 S	*	4/2003	Pfeiffer	D12/176
D516,477 S	*	3/2006	Tomasson	D12/176
D532,351 S	*	11/2006	Saito	D12/176
D565,485 S	*	4/2008	Schafmeister	D12/176
D586,865 S	*	2/2009	Ko	D14/400
D688,606 S	*	8/2013	Balko	D12/176
D700,118 S	*	2/2014	Hardin	D12/176
D766,147 S	*	9/2016	Ritchie	D12/176
D778,793 S	*	2/2017	Ding	D12/176
D786,154 S	*	5/2017	Castaman	D12/176

* cited by examiner

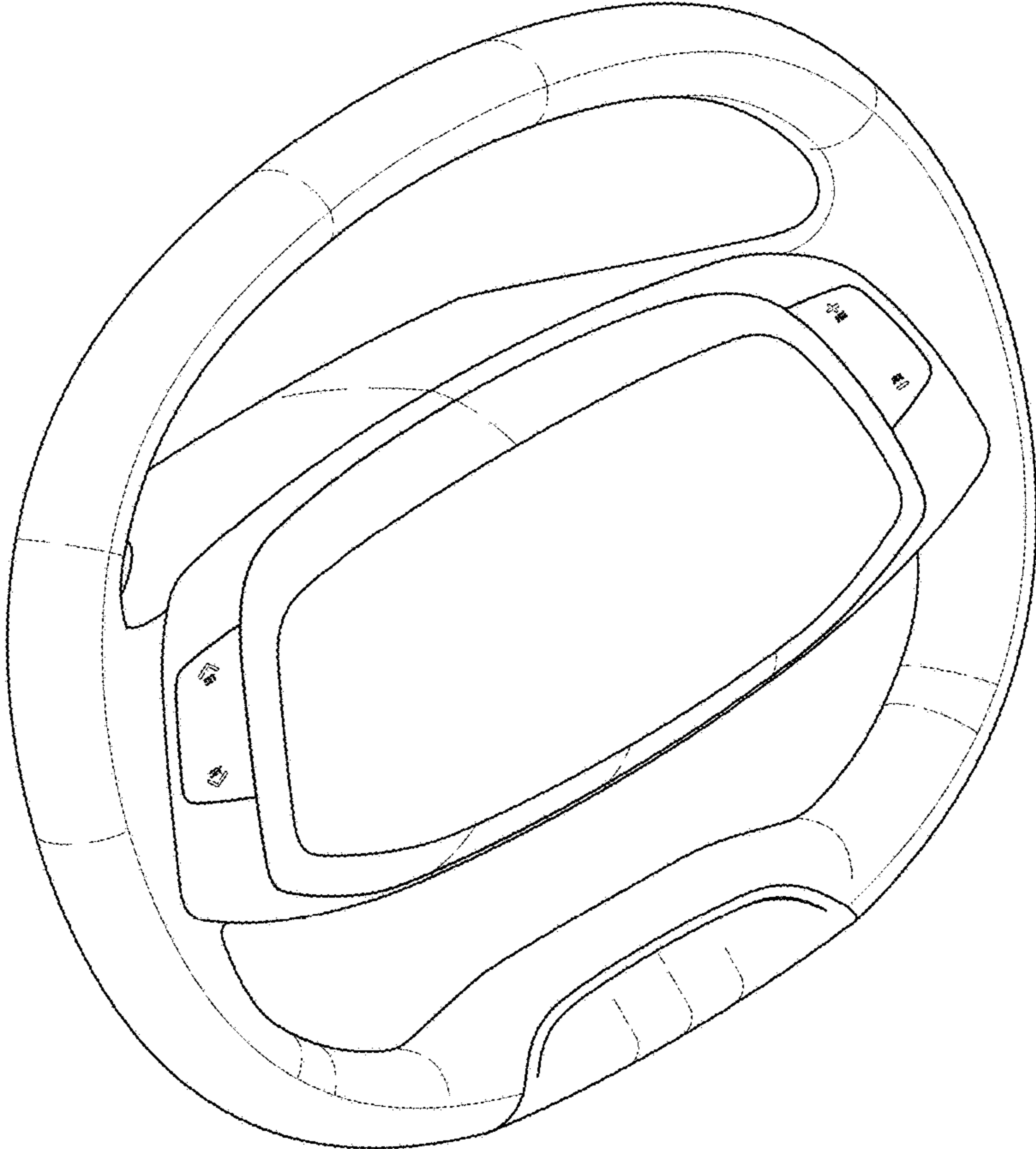


FIG. 1

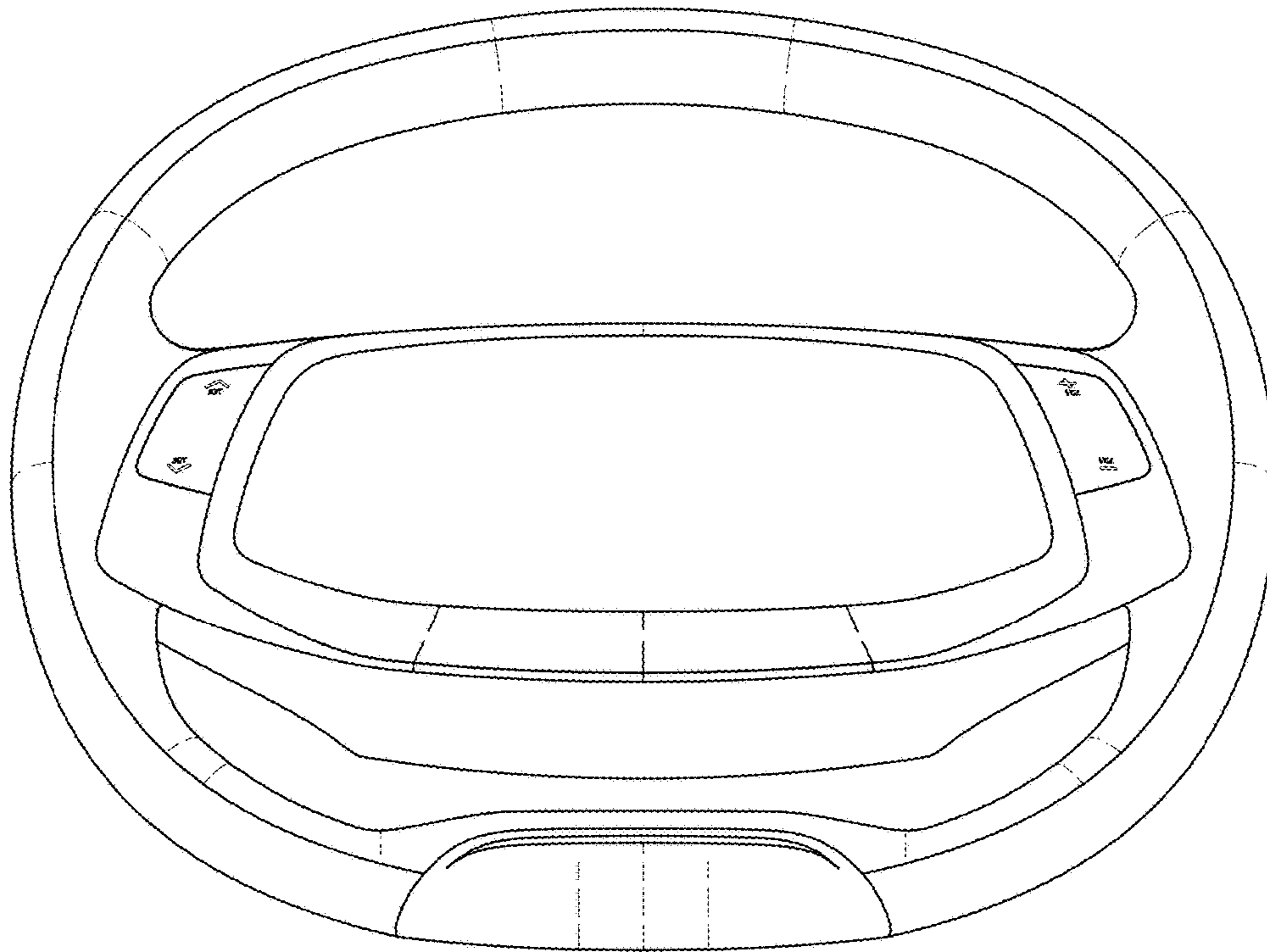


FIG. 2

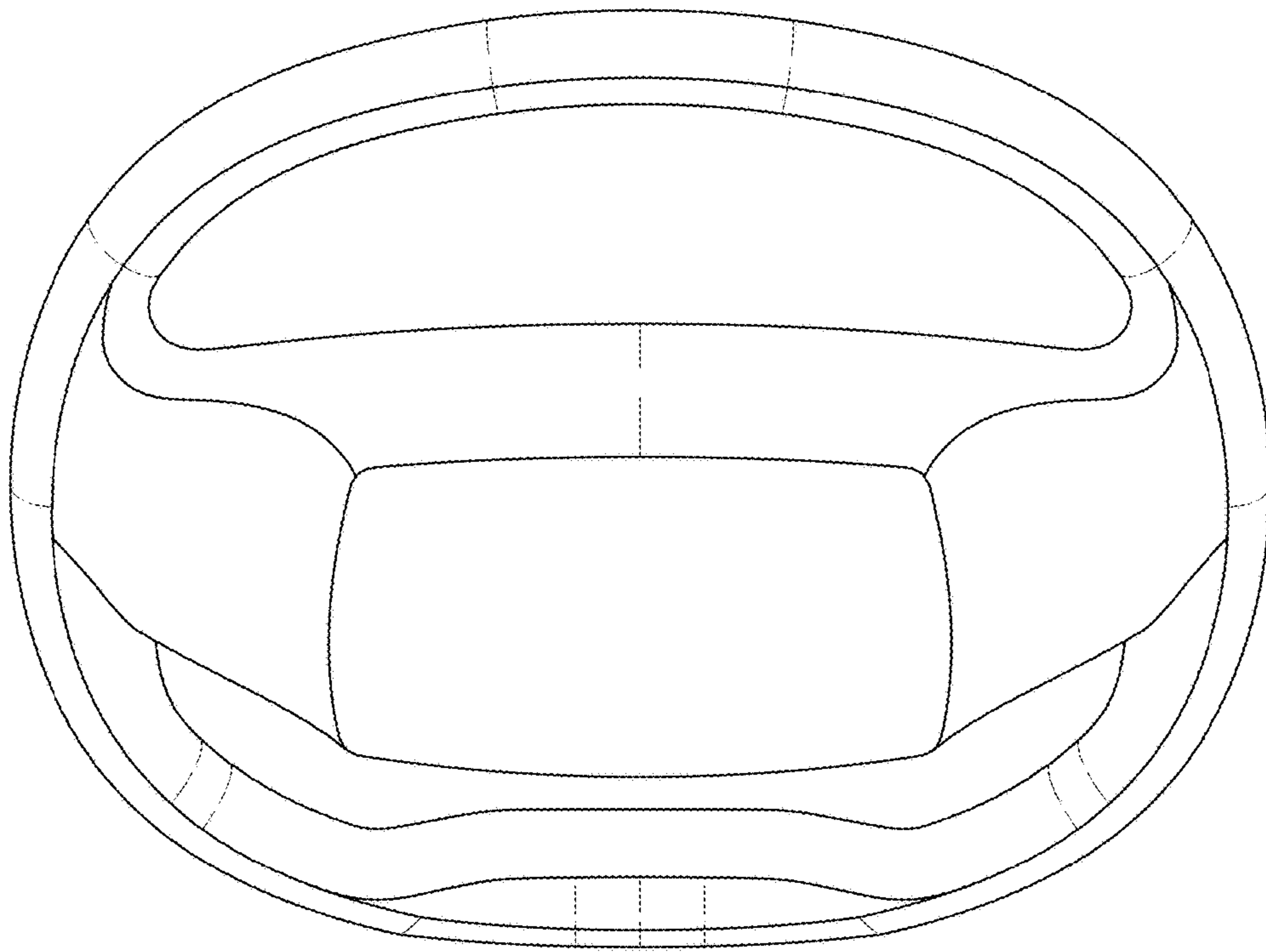


FIG. 3

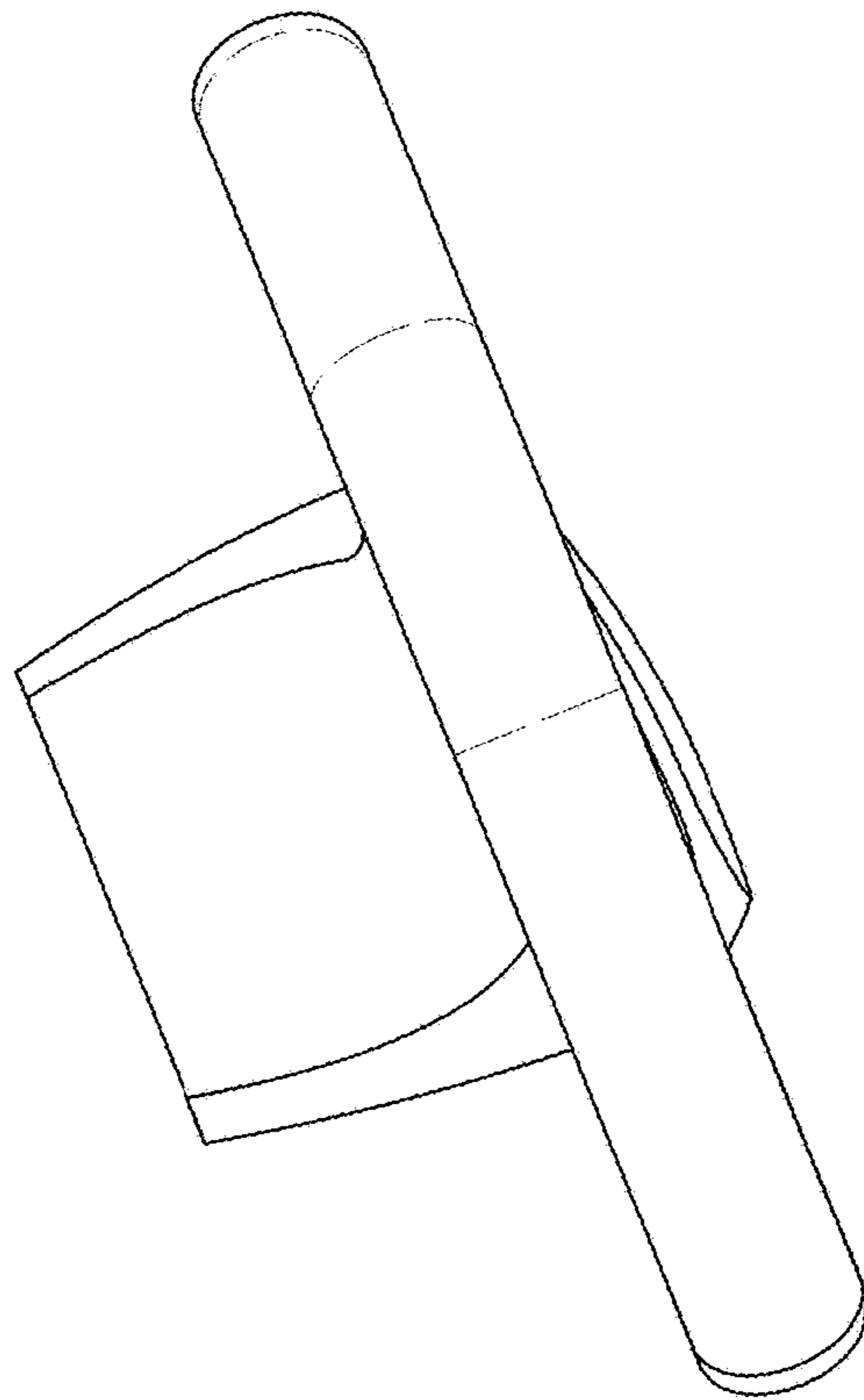


FIG. 4

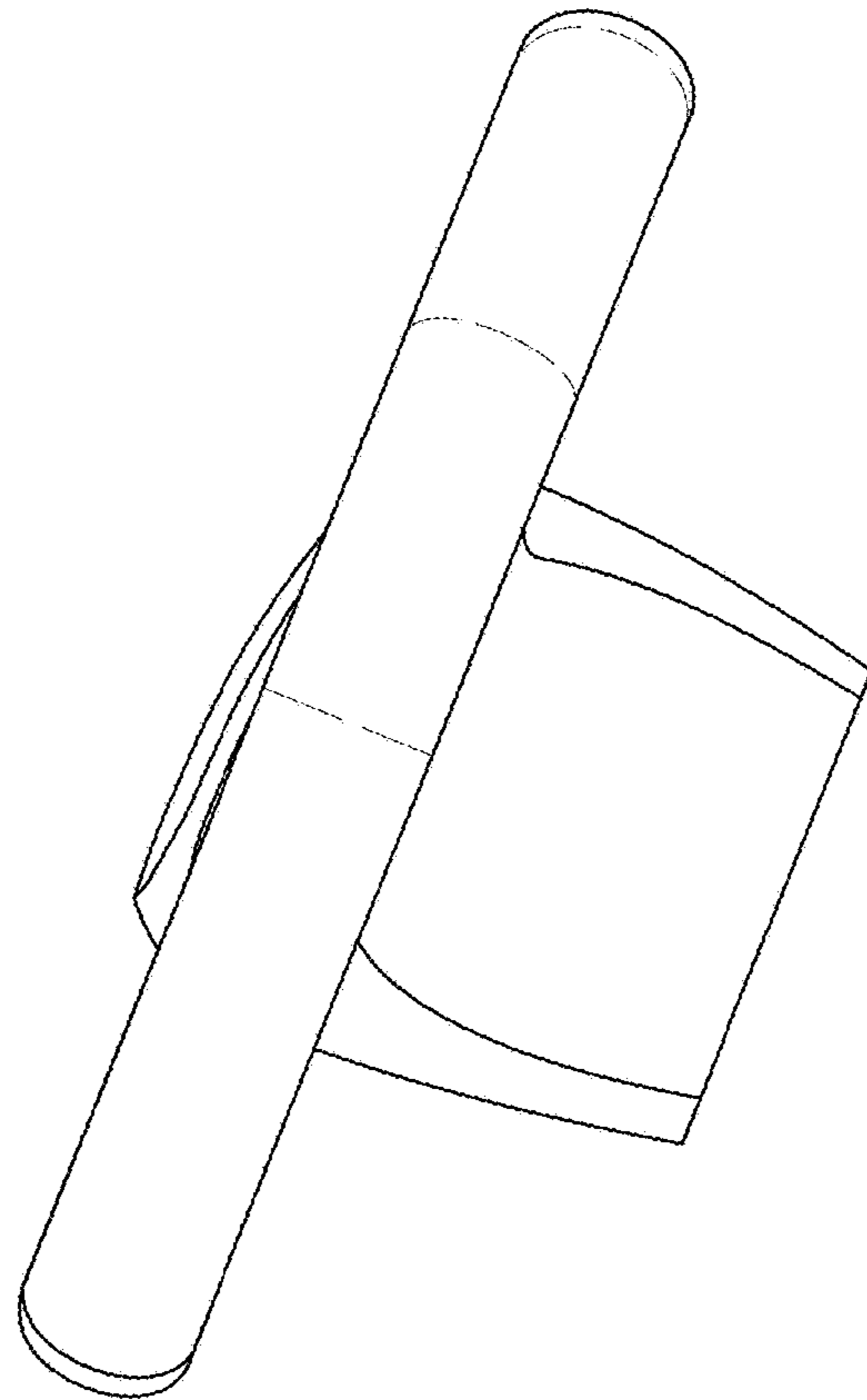


FIG. 5

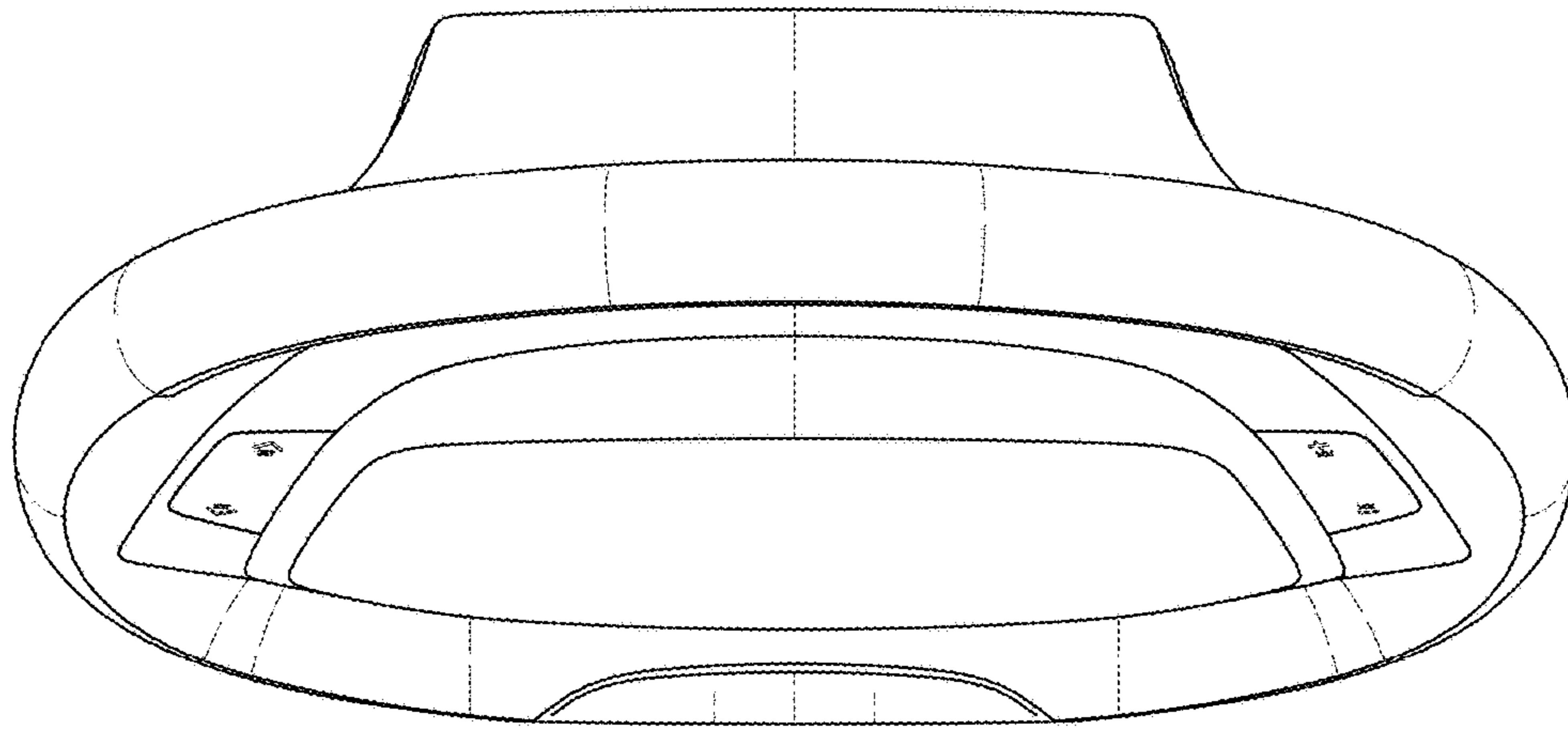


FIG. 6

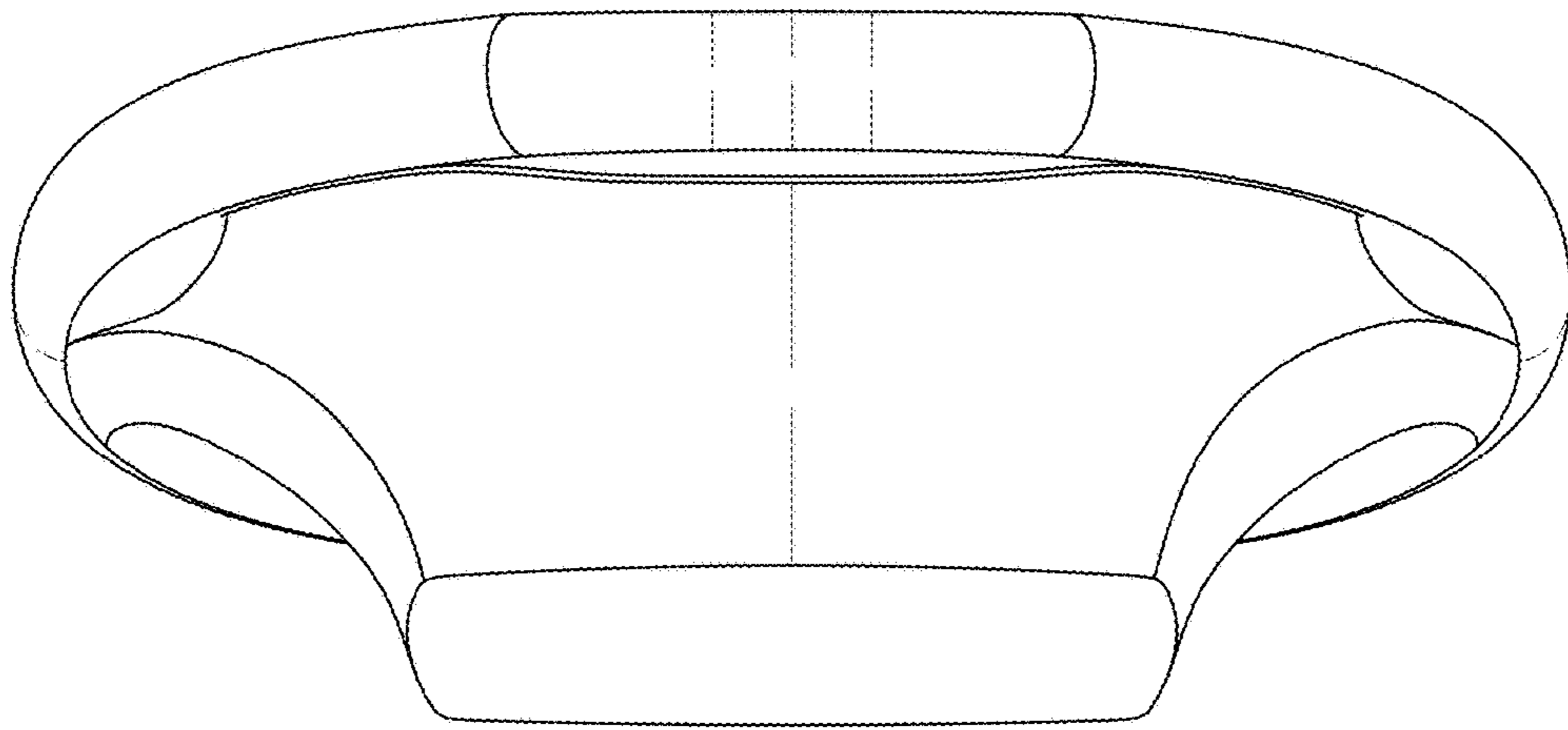


FIG. 7

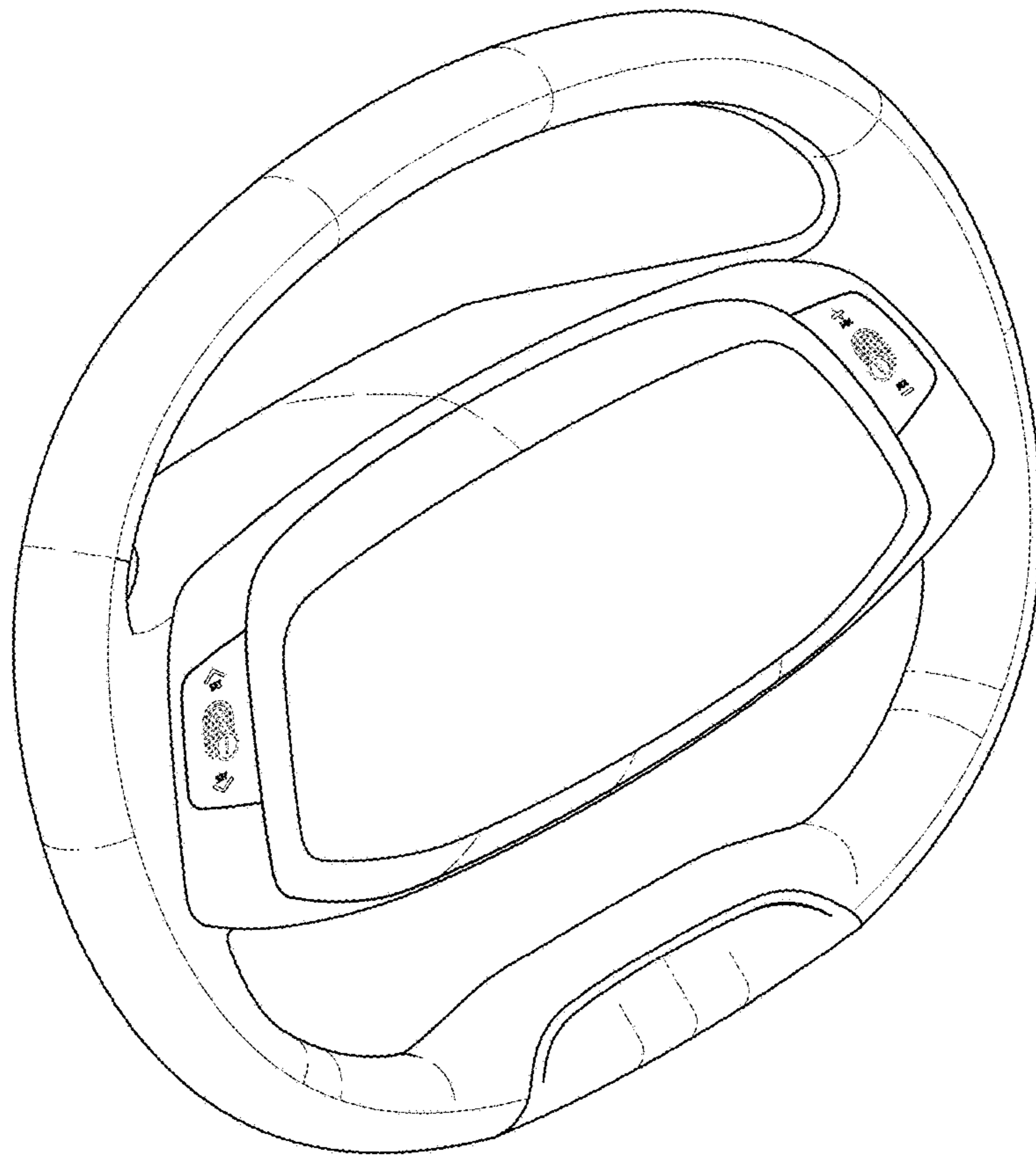


FIG. 8