



US00D816560S

(12) **United States Design Patent** (10) **Patent No.:** **US D816,560 S**
Minamiyama et al. (45) **Date of Patent:** **** May 1, 2018**

(54) **REAR BUMPER FOR AUTOMOBILE**

D794,518 S * 8/2017 Henstridge D12/169
D795,141 S * 8/2017 Ikeda D12/169
D798,203 S * 9/2017 Shiu D12/169

(71) Applicant: **Nissan Motor Co., Ltd.**, Yokohama, Kanagawa (JP)

FOREIGN PATENT DOCUMENTS

(72) Inventors: **Shin Minamiyama**, Kanagawa (JP); **Satoshi Tanaka**, Kanagawa (JP)

JP D1302761 S 6/2007
JP D1334570 S 6/2008
JP D1445040 S 7/2012
JP D1562808 S 11/2016
JP D1572295 S 3/2017
JP D1572302 S 3/2017
JP D1574866 S 4/2017
JP D1527904 S 6/2017

(73) Assignee: **Nissan Motor Co., Ltd.**, Yokohama (JP)

(**) Term: **15 Years**

* cited by examiner

(21) Appl. No.: **29/582,091**

Primary Examiner — Melody N Brown

(22) Filed: **Oct. 25, 2016**

(57) **CLAIM**

(30) **Foreign Application Priority Data**

The ornamental design for a rear bumper for an automobile, as shown and described.

Apr. 26, 2016 (JP) 2016-009180

(51) **LOC (11) Cl.** **12-16**

DESCRIPTION

(52) **U.S. Cl.**
USPC **D12/169**

(58) **Field of Classification Search**
USPC D12/169, 216, 90-92, 86, 171, 196, 163;
293/102, 113, 115, 117, 120; 296/180.1,
296/180.2

FIG. 1 is a front elevational view of a rear bumper for an automobile in accordance with our new design;
FIG. 2 is a top plan view thereof;
FIG. 3 is a bottom plan view thereof;
FIG. 4 is a left side elevational view thereof;
FIG. 5 is a right side elevational view thereof;
FIG. 6 is a bottom, front and right side perspective view thereof; and,
FIG. 7 is a top, front and right side perspective view thereof.
The rear view of the rear bumper forms no part of the claimed design. In addition, the rear bumper is configured to be mounted to an automobile. The inside surfaces of the rear bumper, shown in broken lines in FIGS. 2, 6 and 7, form no part of the claimed design since the inside surfaces are hidden when the rear bumper is mounted to the automobile.

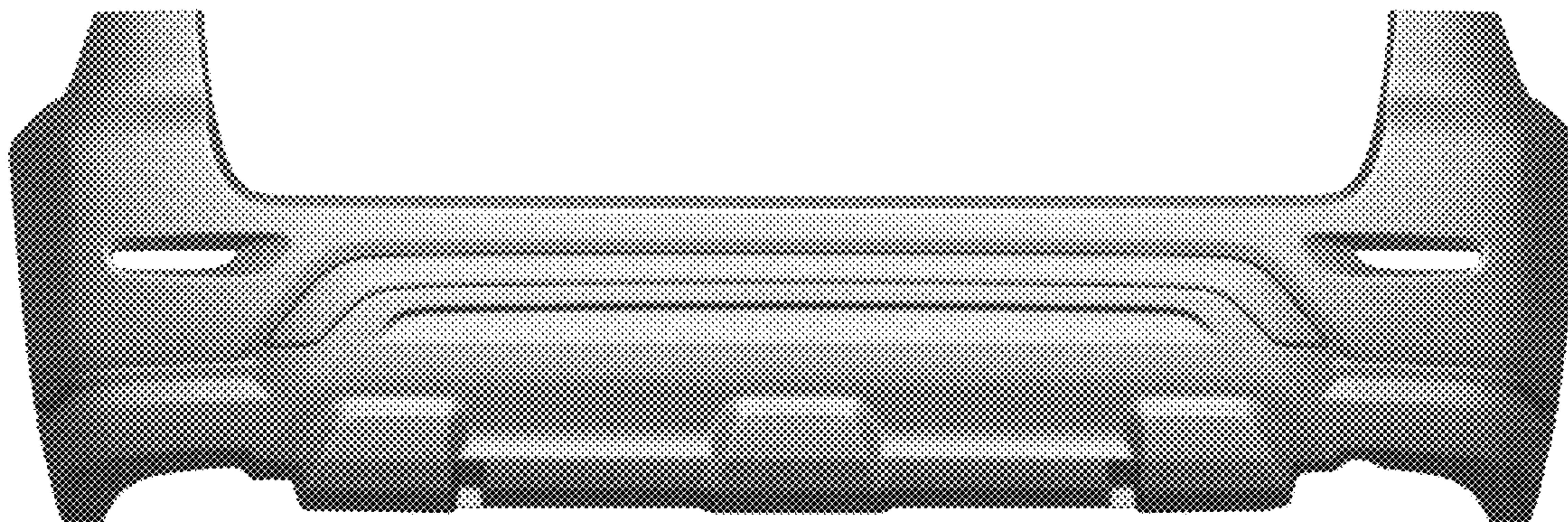
CPC B60R 19/02; B60R 19/04; B62D 25/08
See application file for complete search history.

(56) **References Cited**

U.S. PATENT DOCUMENTS

D773,354 S * 12/2016 Liu D12/169
D773,966 S * 12/2016 Choi D12/169
D780,077 S * 2/2017 Kim D12/169
D786,746 S * 5/2017 Wheel D12/169
D788,643 S * 6/2017 Bucher D12/91

1 Claim, 7 Drawing Sheets



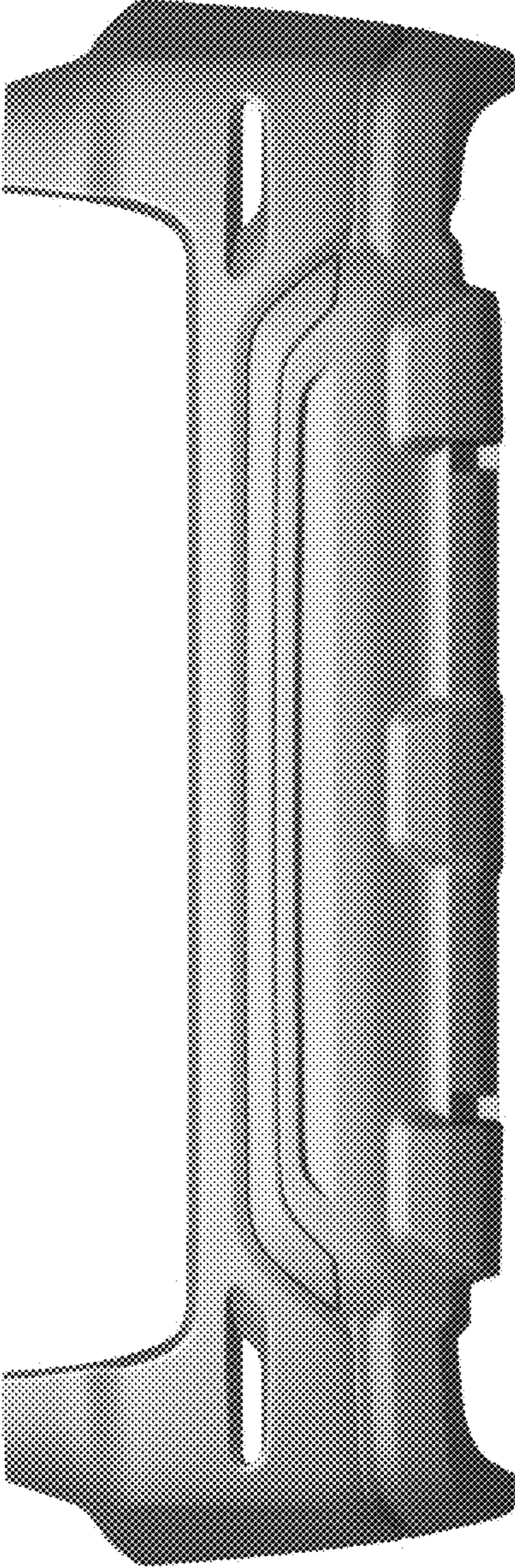


FIG. 1

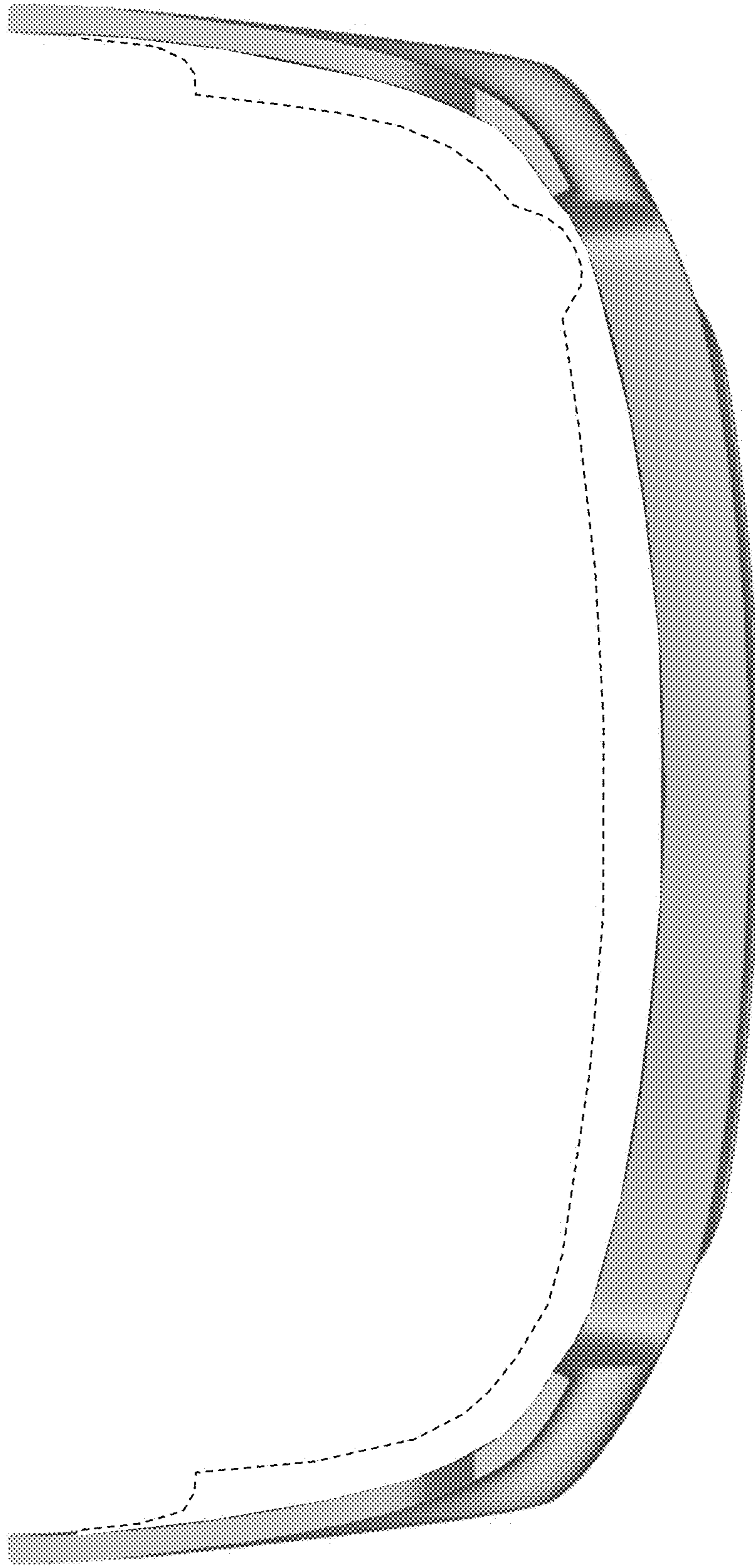


FIG. 2



FIG. 3

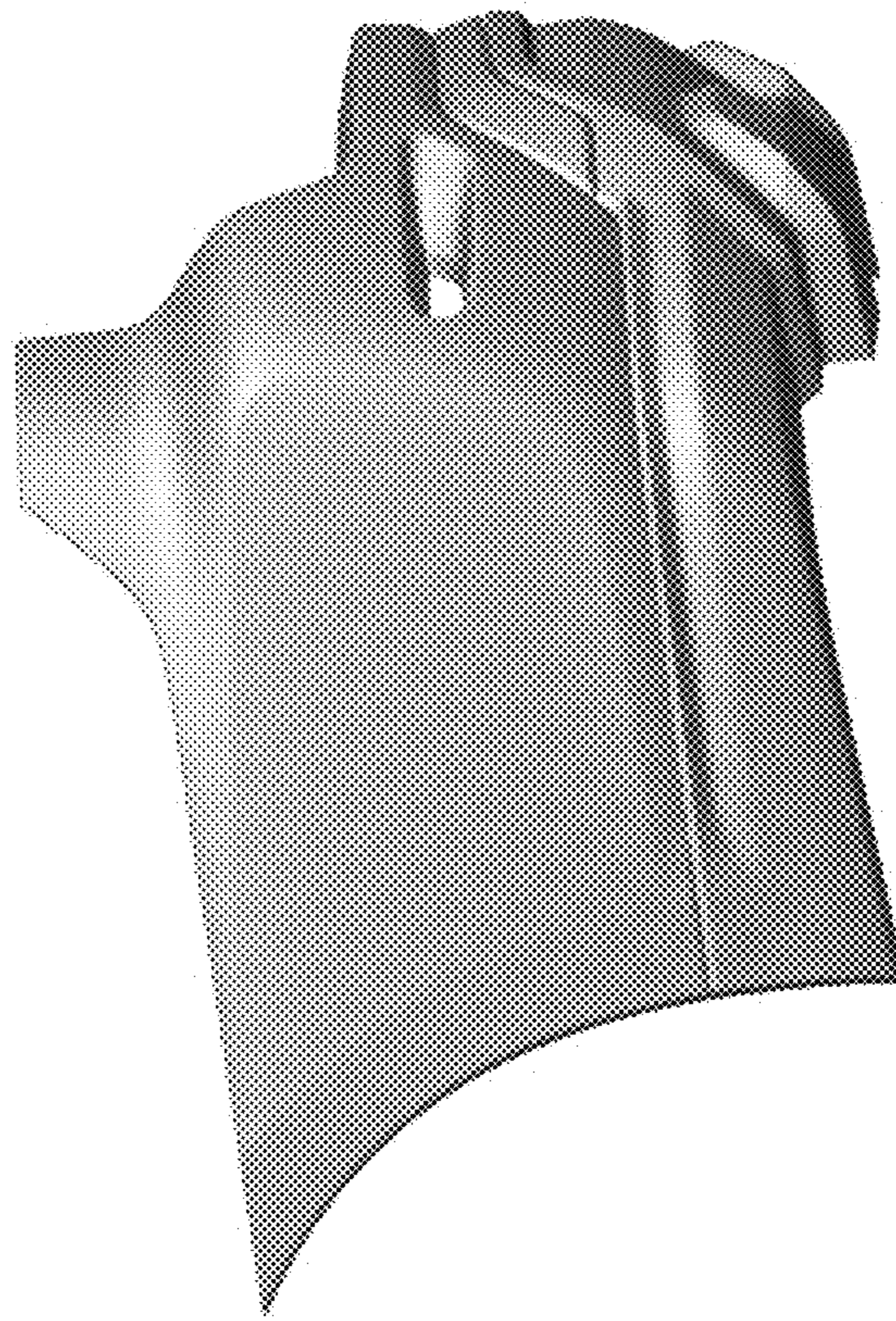


FIG. 4

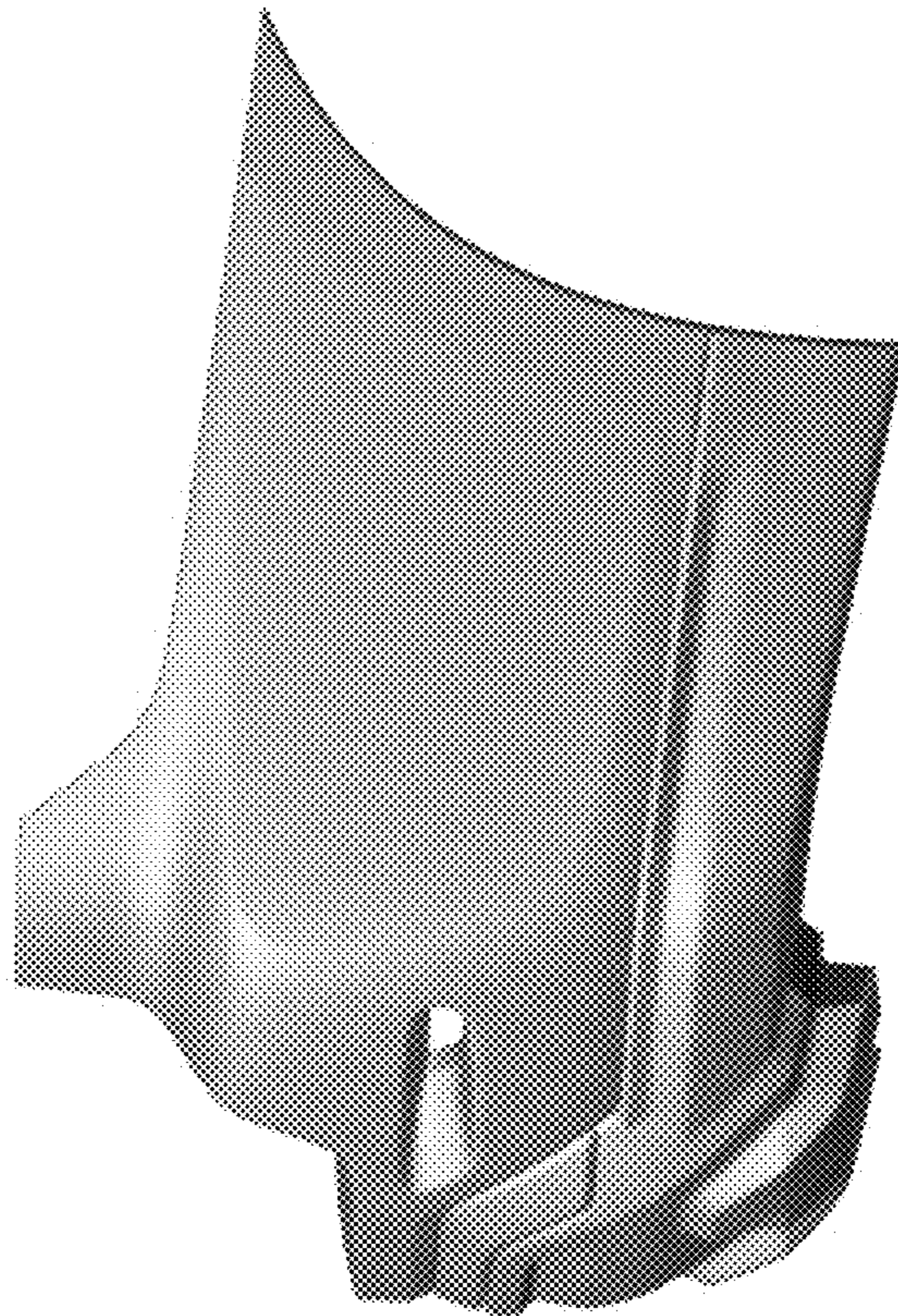


FIG. 5

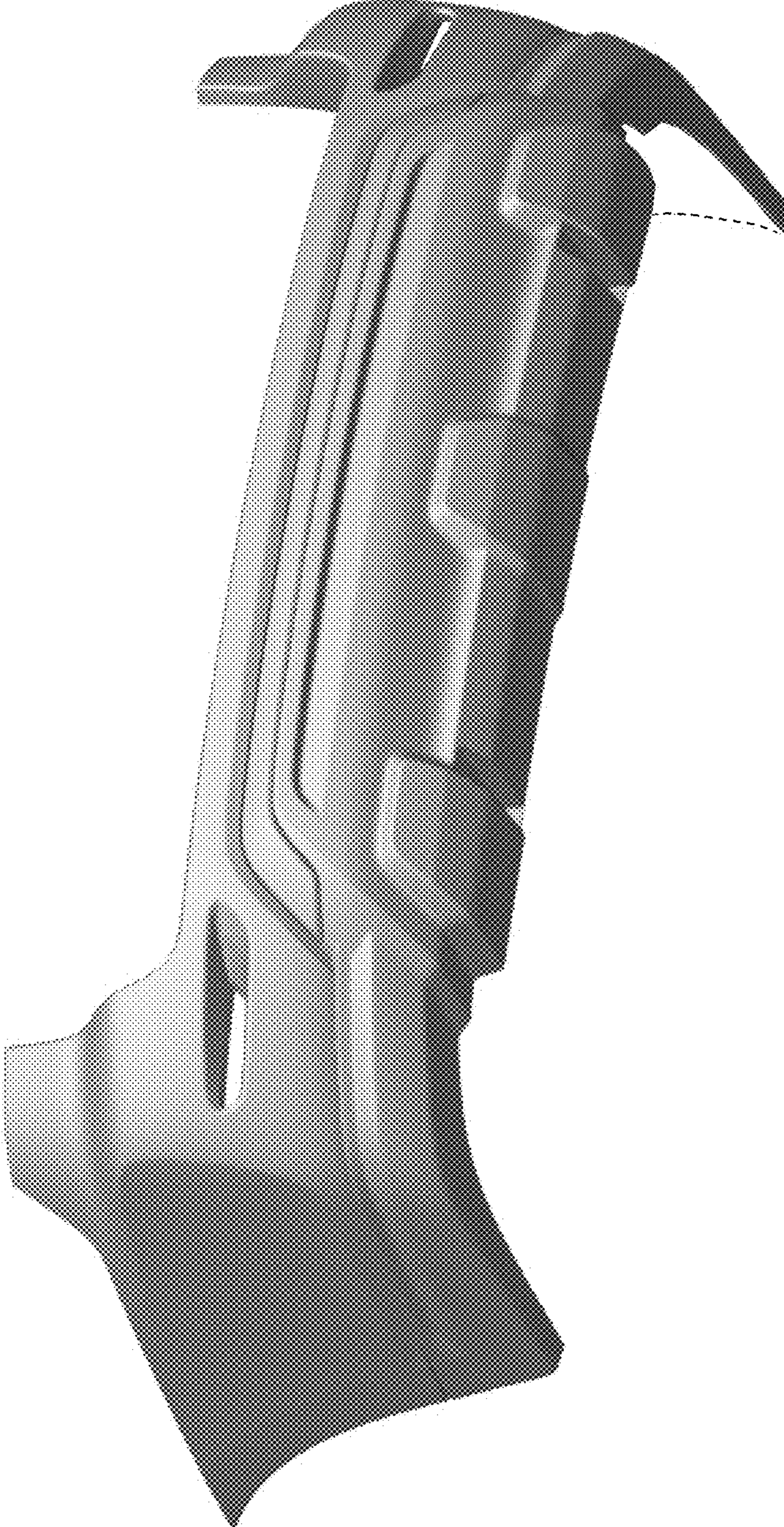


FIG. 6

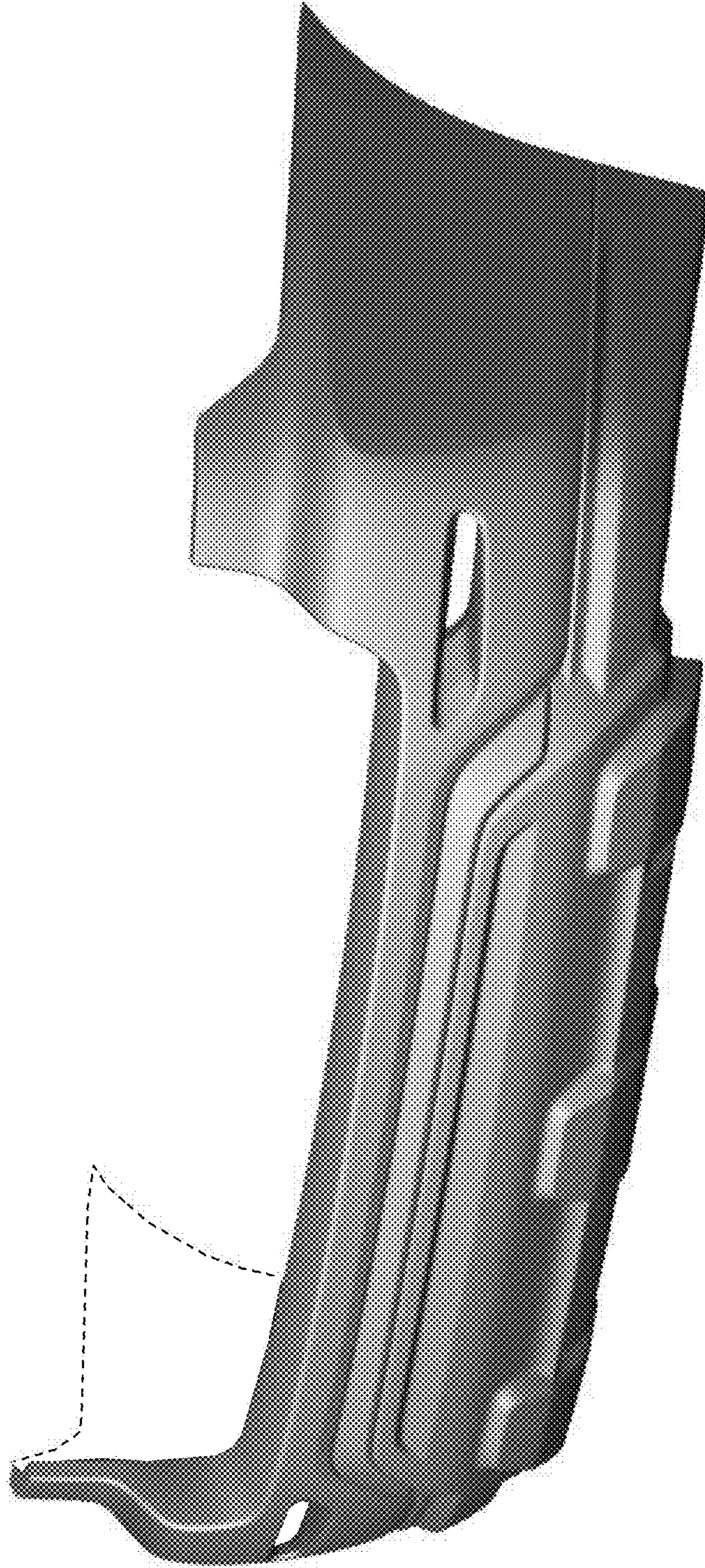


FIG. 7