



US00D816556S

(12) **United States Design Patent** (10) **Patent No.:** **US D816,556 S**
Parr (45) **Date of Patent:** **** May 1, 2018**

(54) **THERAPEUTIC WALKER**
(71) Applicant: **Jonathan Parr**, Schertz, TX (US)
(72) Inventor: **Jonathan Parr**, Schertz, TX (US)
(**) Term: **15 Years**
(21) Appl. No.: **29/602,428**
(22) Filed: **May 1, 2017**
(51) **LOC (11) Cl.** **12-12**
(52) **U.S. Cl.**
USPC **D12/130**
(58) **Field of Classification Search**
USPC D12/130
CPC A61H 3/00; A61H 3/04; A61H
2003/001–2003/007; A61H 2003/043;
A61H 2003/046
See application file for complete search history.

D751,951 S * 3/2016 Andersen D12/130
D793,915 S * 8/2017 Wang D12/130
9,763,849 B2 * 9/2017 Paterson A61H 3/04

* cited by examiner

Primary Examiner — Charles D Hanson
(74) *Attorney, Agent, or Firm* — Egbert Law Offices,
PLLC

(57) **CLAIM**

The ornamental design for a therapeutic walker, as shown and described.

DESCRIPTION

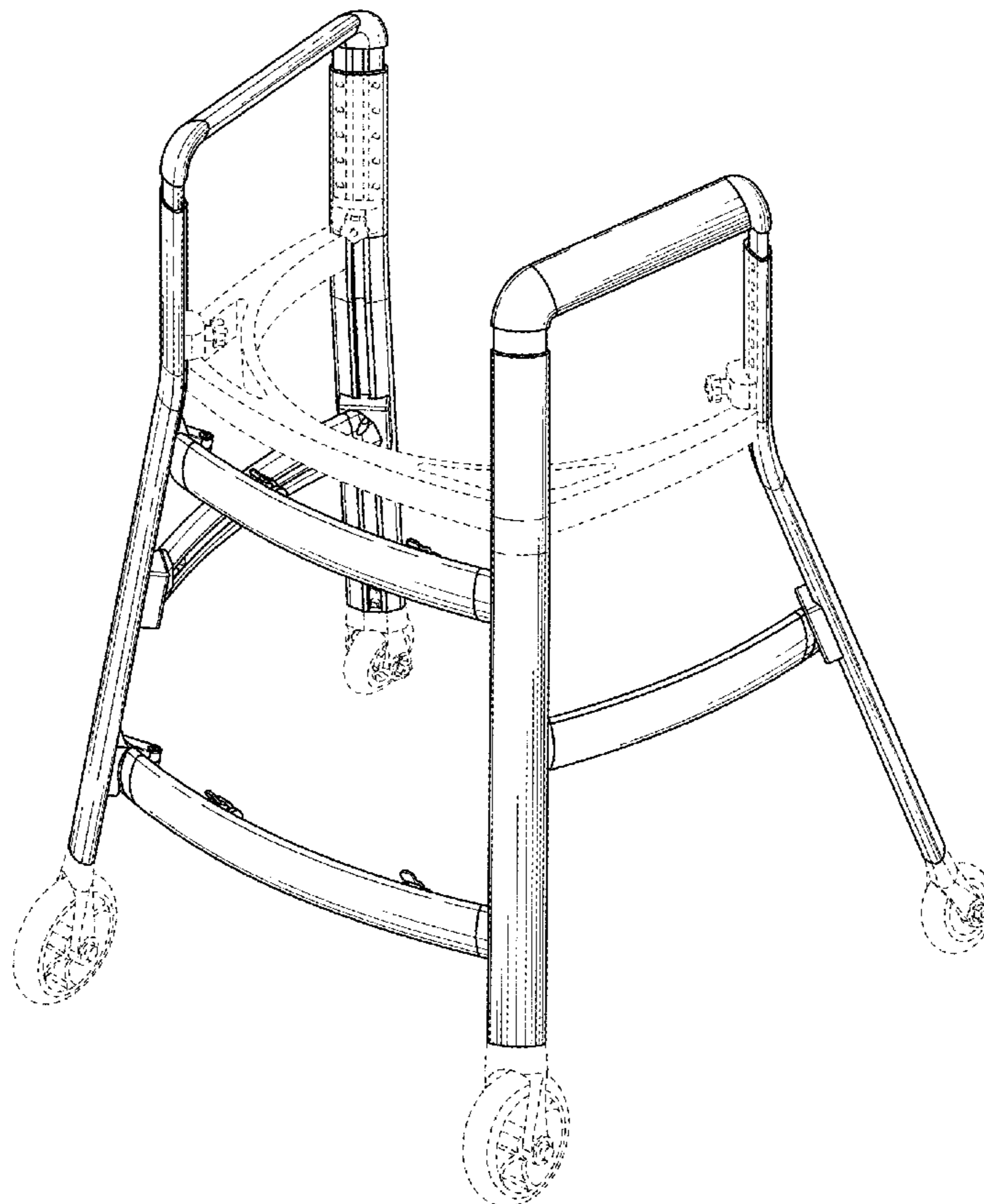
FIG. 1 is a front perspective view of a therapeutic walker showing my new design.
FIG. 2 is a front view thereof;
FIG. 3 is a rear view thereof;
FIG. 4 is a side view thereof;
FIG. 5 is an opposite side view thereof;
FIG. 6 is a top view thereof;
FIG. 7 is a bottom view thereof;
FIG. 8 is a rear perspective view thereof; and,
FIG. 9 is a rear perspective view showing foot attachments connected to the therapeutic walker.
The features presented in broken lines represent unclaimed portions of the therapeutic walker and form no part of the claimed design.

(56) **References Cited**

U.S. PATENT DOCUMENTS

D503,909 S * 4/2005 Tolfson D12/130
D519,423 S * 4/2006 Tolfson D12/130
D696,162 S * 12/2013 Skafdrup D12/130
8,602,185 B1 * 12/2013 White A61H 3/04
135/66

1 Claim, 9 Drawing Sheets



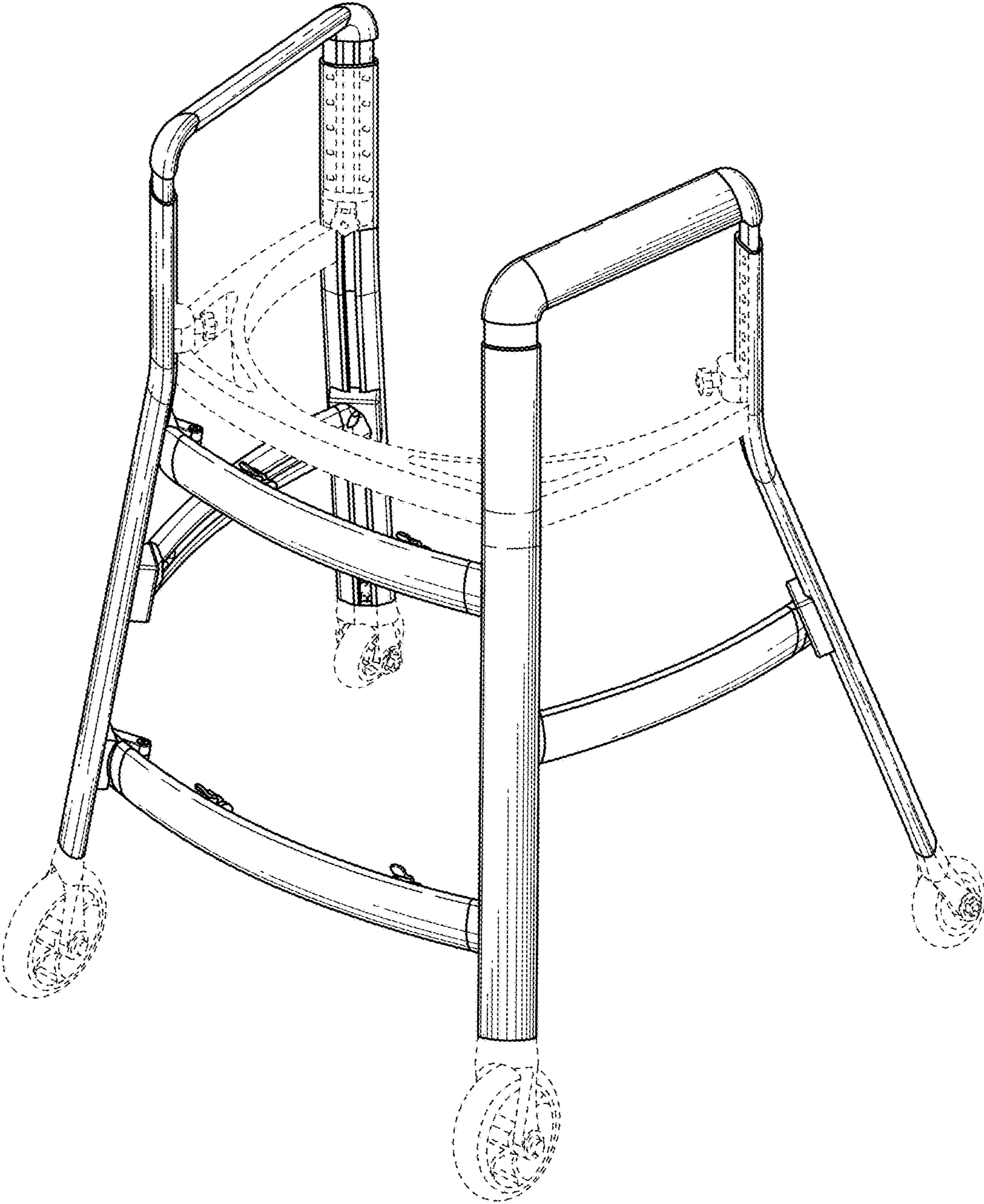


FIG. 1

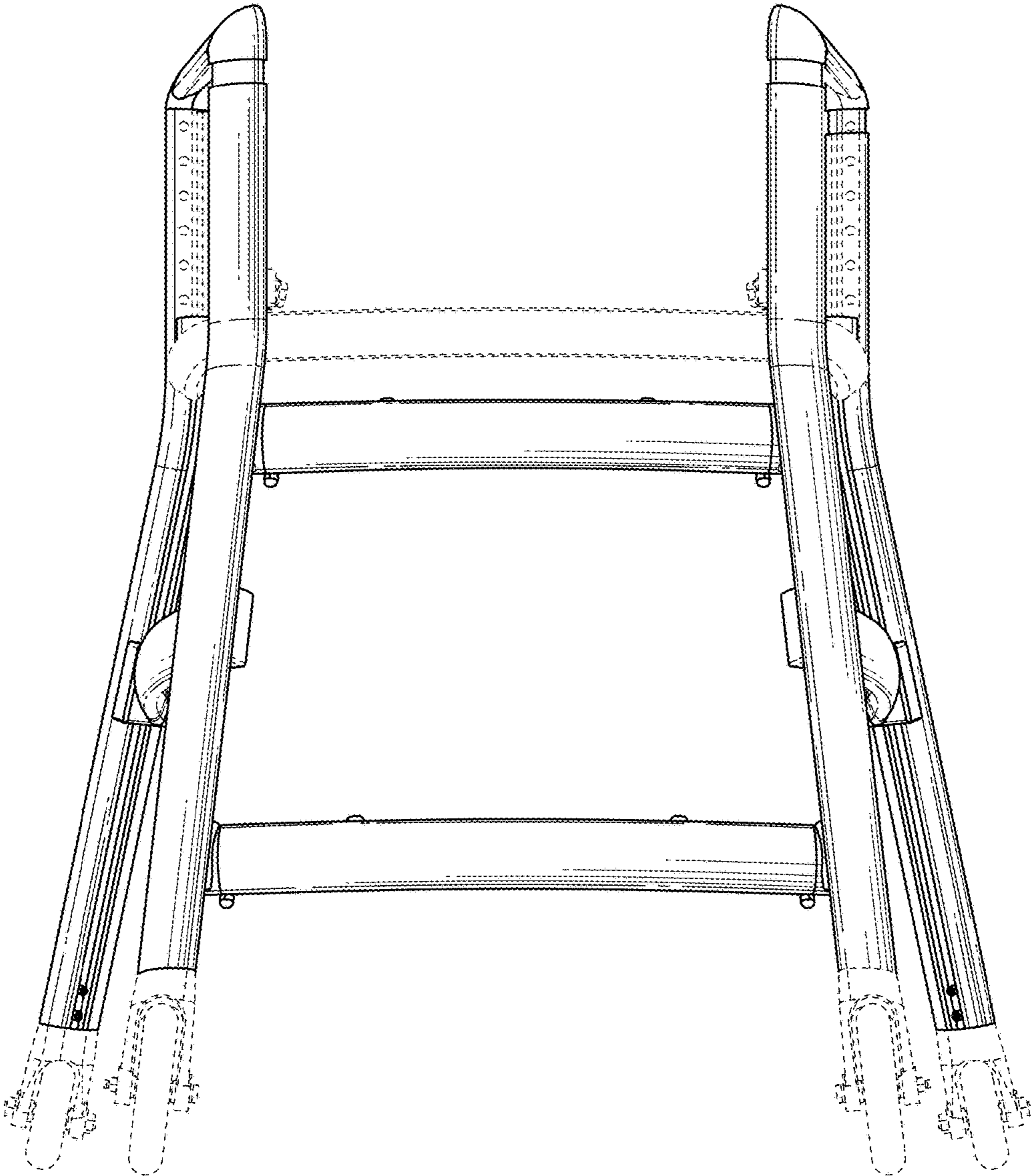


FIG. 2

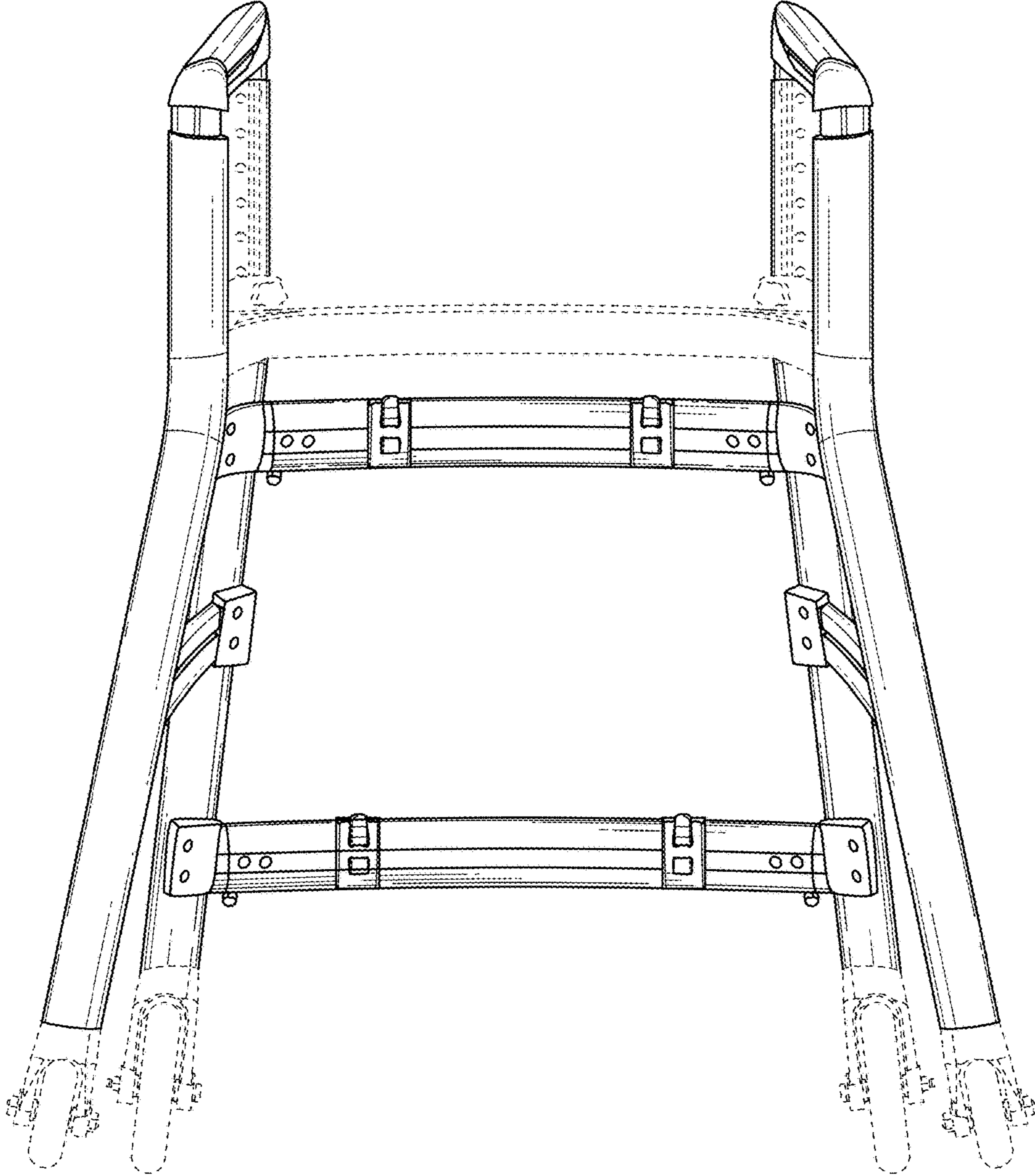


FIG. 3

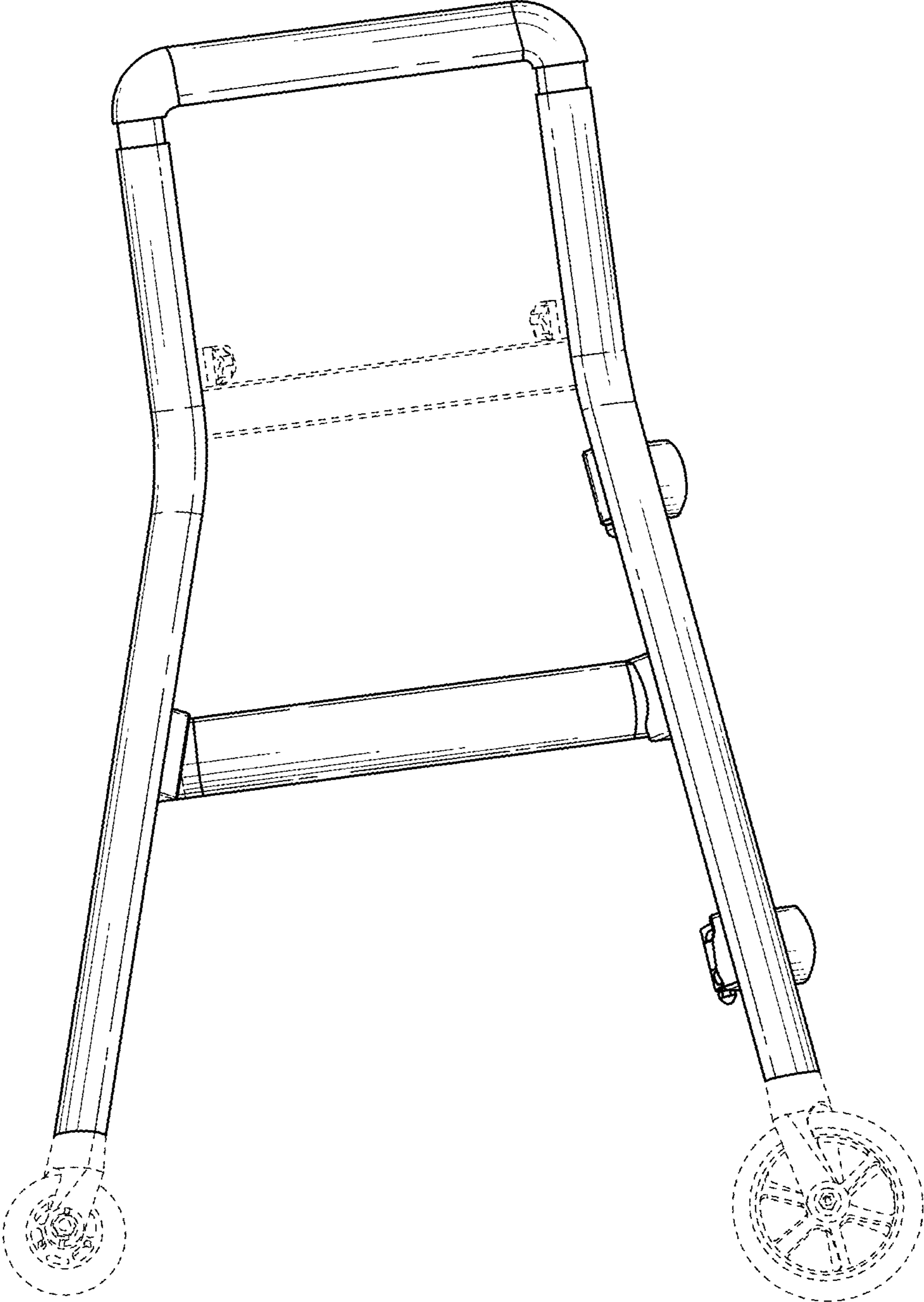


FIG. 4

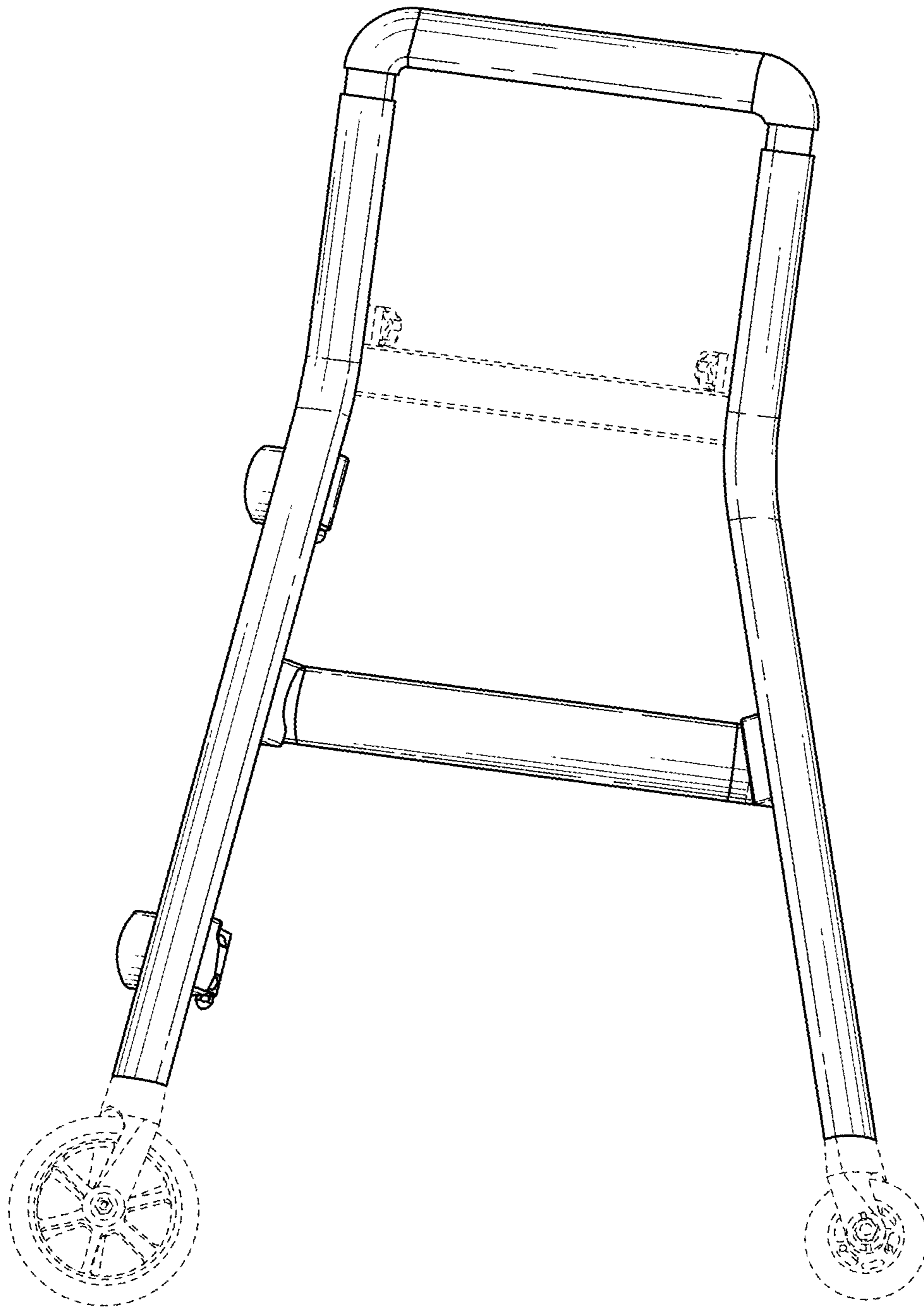


FIG. 5

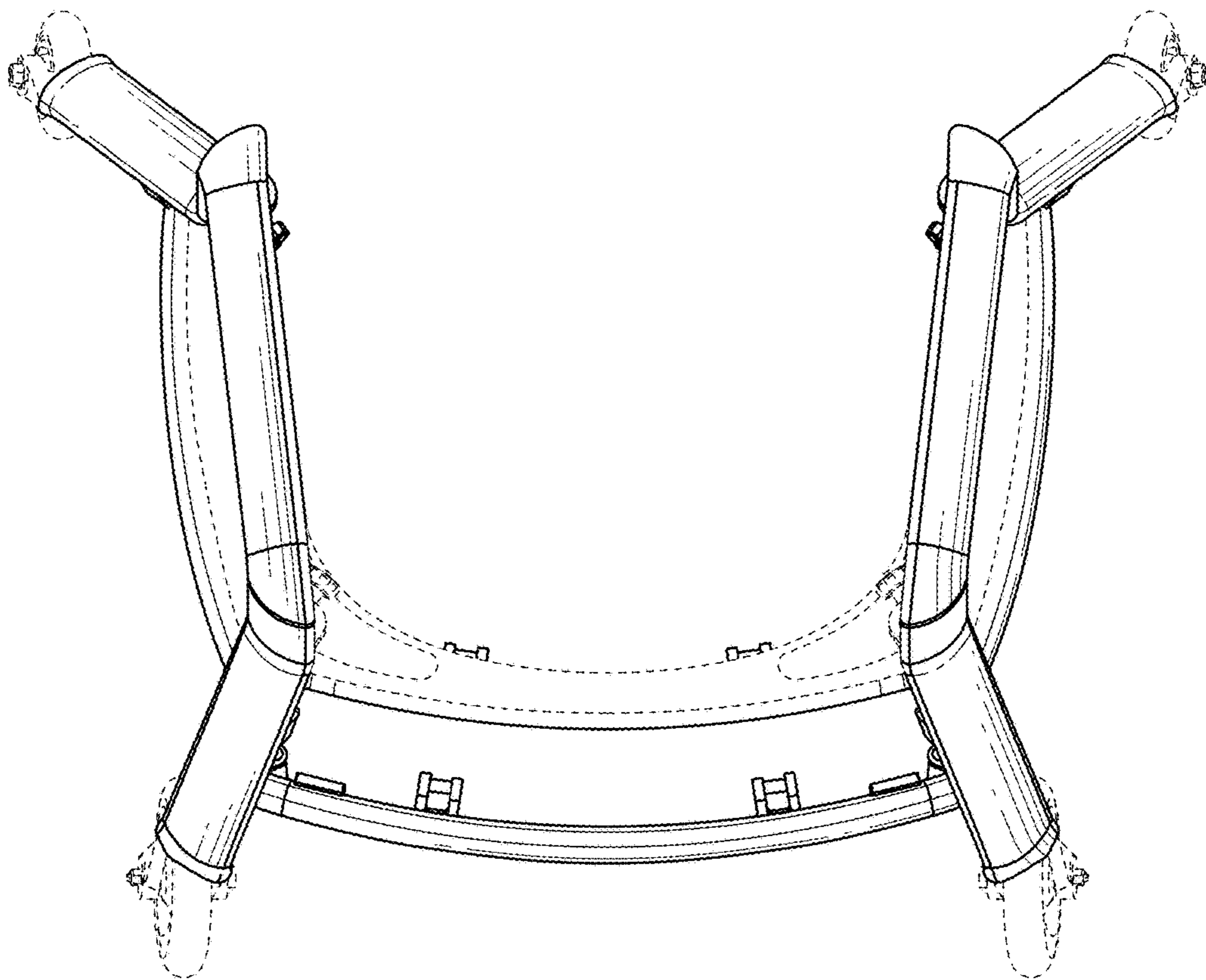


FIG. 6

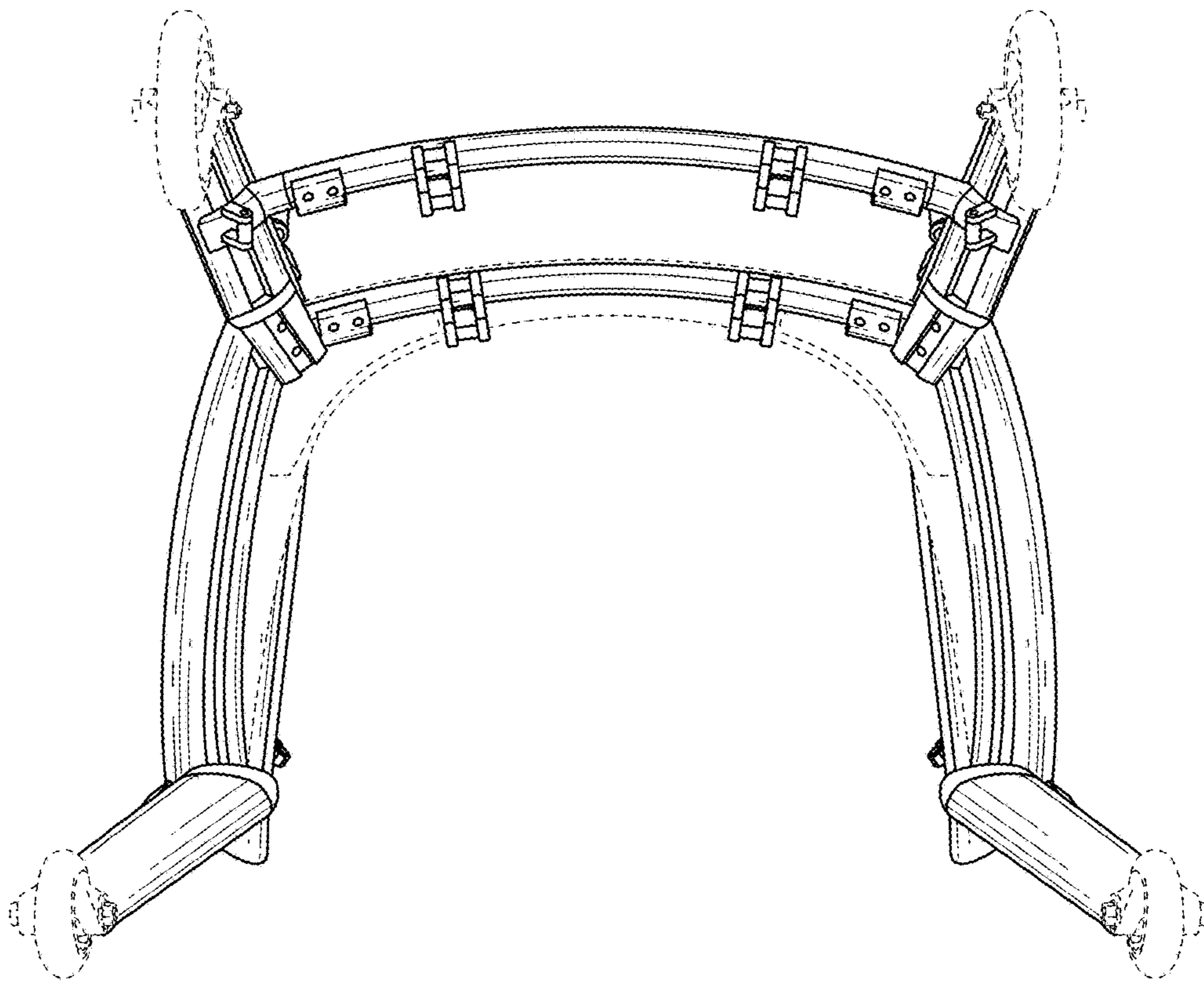


FIG. 7

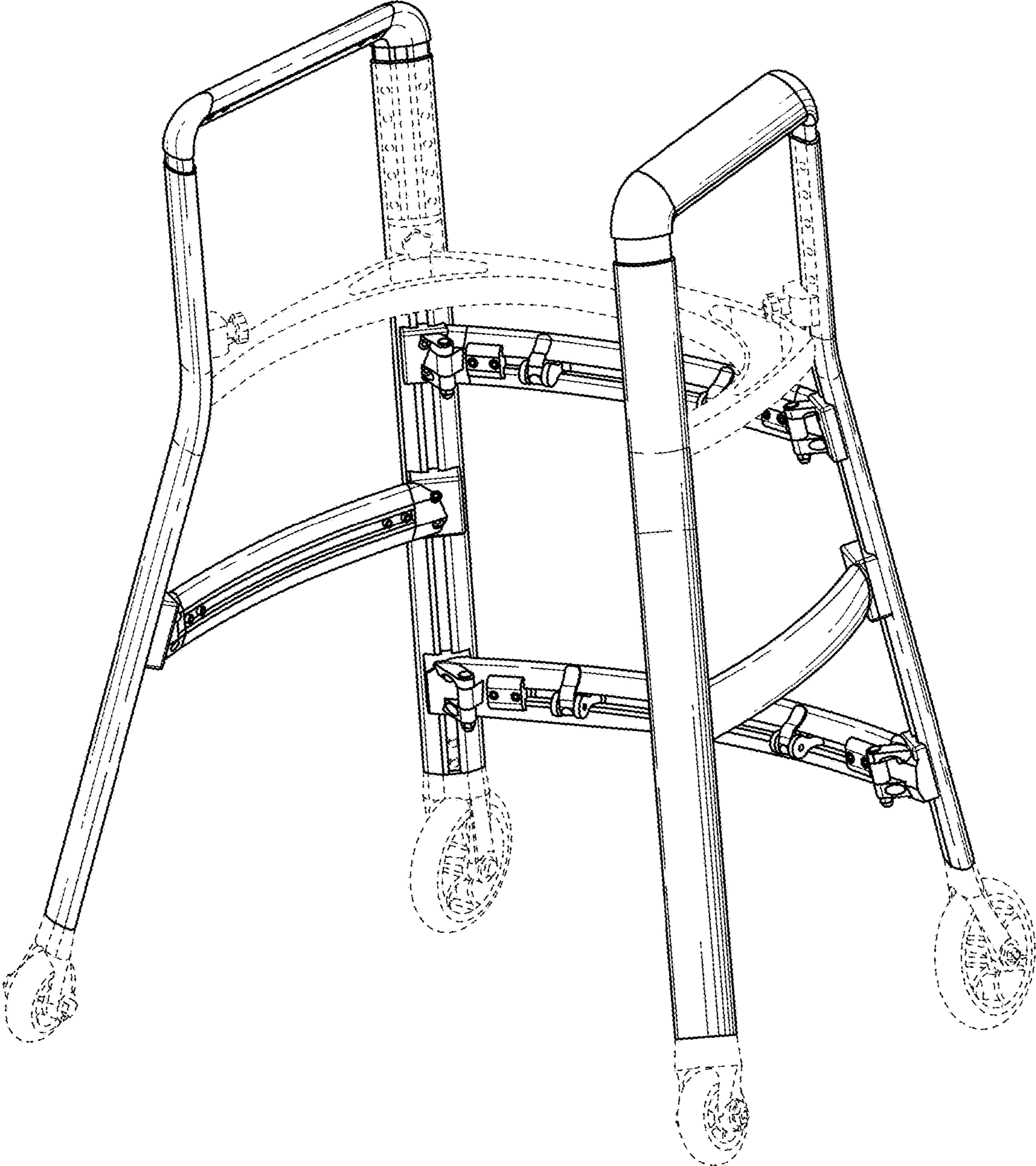


FIG. 8

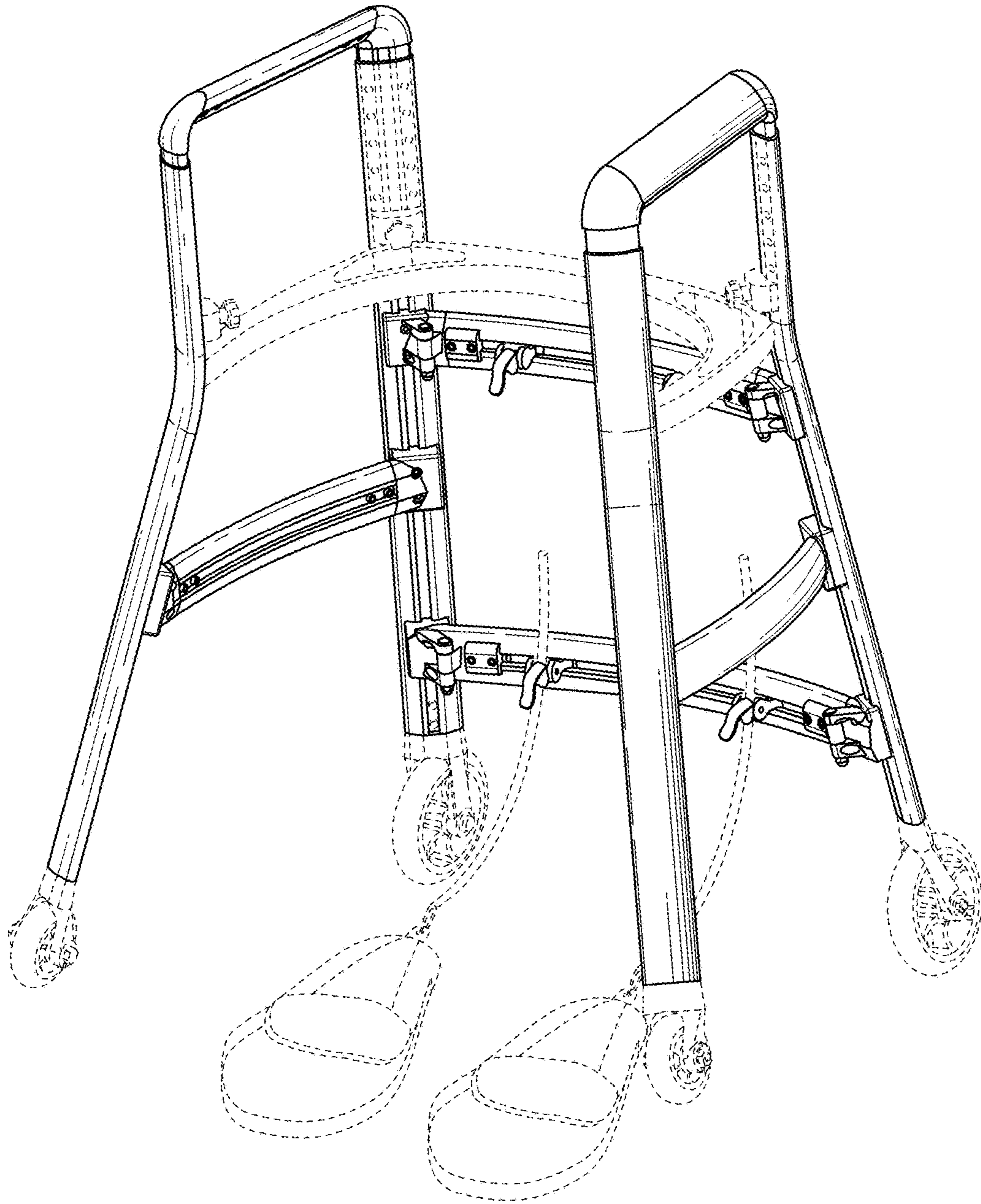


FIG. 9