



US00D816555S

(12) **United States Design Patent** (10) **Patent No.:** **US D816,555 S**  
**Young** (45) **Date of Patent:** **\*\* May 1, 2018**

(54) **COLLAPSIBLE STROLLER FRAME**

(71) Applicant: **Larktale Pty Ltd.**, Brookvale NSW (AU)

(72) Inventor: **Anthony Michael Young**, Brookvale NSW (AU)

(73) Assignee: **LARKTALE PTY LTD**, Brookvale NSW (AU)

(\*\*) Term: **15 Years**

(21) Appl. No.: **29/590,264**

(22) Filed: **Jan. 9, 2017**

(30) **Foreign Application Priority Data**

Jul. 12, 2016 (CN) ..... 2016 3 0317519

(51) **LOC (11) Cl.** ..... **12-12**

(52) **U.S. Cl.**  
USPC ..... **D12/129**

(58) **Field of Classification Search**  
USPC ..... D12/128–133  
CPC ..... B62B 7/00–7/04; B62B 9/00–9/28  
See application file for complete search history.

(56) **References Cited**

**U.S. PATENT DOCUMENTS**

D375,707 S *	11/1996	Yang	.....	D12/129
D519,422 S *	4/2006	Huang	.....	D12/129
7,267,359 B1 *	9/2007	Yang	.....	B62B 7/08 280/47.34
7,364,171 B2 *	4/2008	Hu	.....	B60B 1/006 280/47.38
D578,044 S *	10/2008	Chen	.....	D12/129
D593,459 S *	6/2009	Liao	.....	D12/129
D596,996 S *	7/2009	Yang	.....	D12/129

D621,306 S *	8/2010	Liao	.....	D12/129
D643,343 S *	8/2011	Song	.....	D12/129
D661,624 S *	6/2012	Stopp	.....	D12/129
D672,692 S *	12/2012	Jane Santamaria	.....	D12/129
D677,605 S *	3/2013	Ide	.....	D12/129
D715,702 S *	10/2014	Chen	.....	D12/129
D721,015 S *	1/2015	Bassan	.....	D12/129
D726,078 S *	4/2015	Liao	.....	D12/129
D733,617 S *	7/2015	Angelfoss	.....	D12/129
D737,733 S *	9/2015	Zhong	.....	D12/129
D747,669 S *	1/2016	Cheng	.....	D12/129
D753,027 S *	4/2016	Jane Santamaria	.....	D12/129
D754,033 S *	4/2016	Angelfoss	.....	D12/129

\* cited by examiner

*Primary Examiner* — Charles Hanson

(74) *Attorney, Agent, or Firm* — Dorsey & Whitney LLP

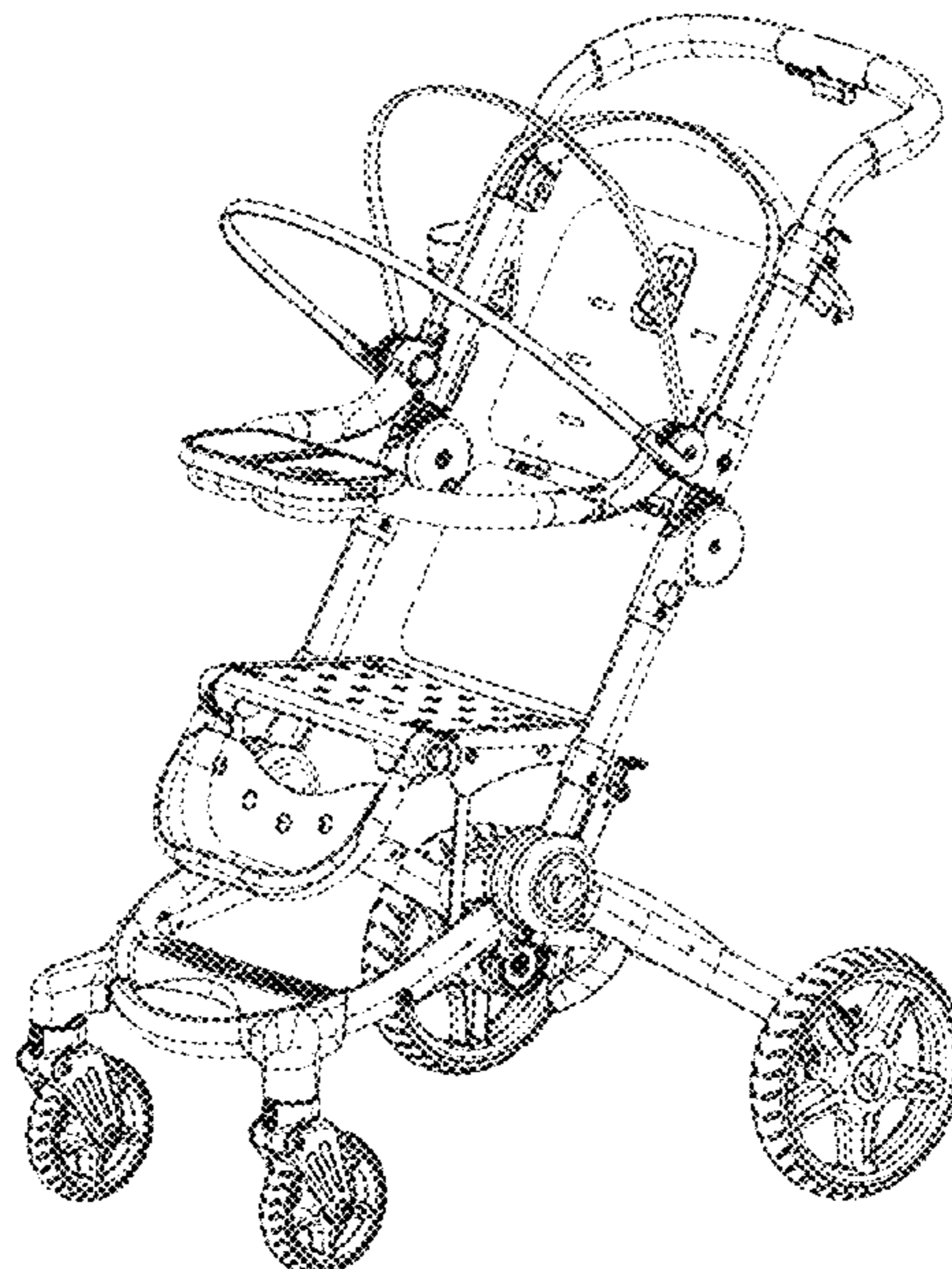
(57) **CLAIM**

The ornamental design for a collapsible stroller frame, as shown and described.

**DESCRIPTION**

FIG. 1 is an isometric view of a collapsible stroller frame;  
 FIG. 2 is a front elevation view of the collapsible stroller frame;  
 FIG. 3 is a rear elevation view of the collapsible stroller frame;  
 FIG. 4 is a left side elevation view of the collapsible stroller frame;  
 FIG. 5 is a right side elevation view of the collapsible stroller frame;  
 FIG. 6 is a top plan view of the collapsible stroller frame;  
 and,  
 FIG. 7 is a bottom view of the collapsible stroller frame.  
 The broken lines in the drawings represent portions of the collapsible stroller frame which are not part of the claimed design.

**1 Claim, 7 Drawing Sheets**



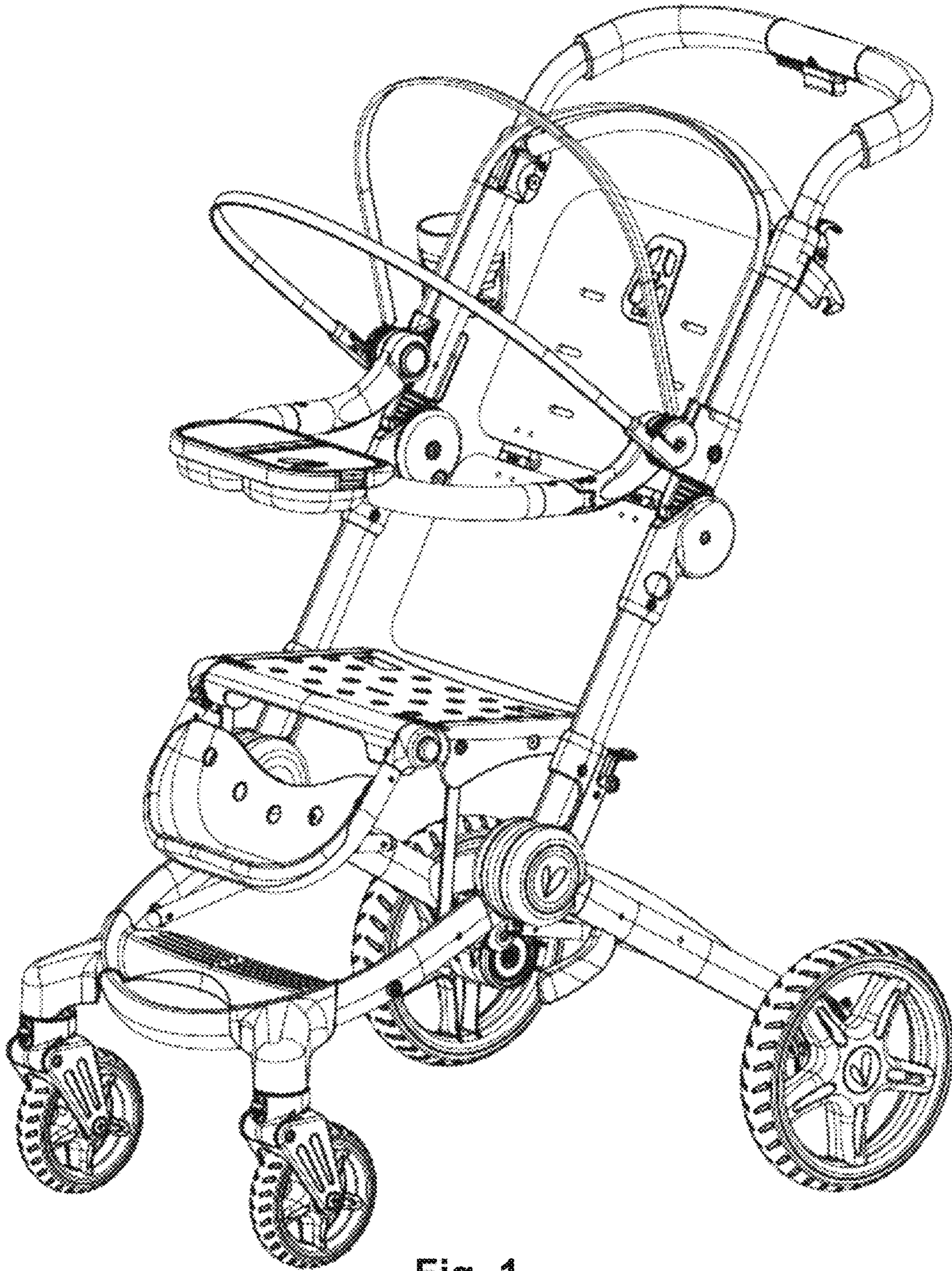


Fig. 1

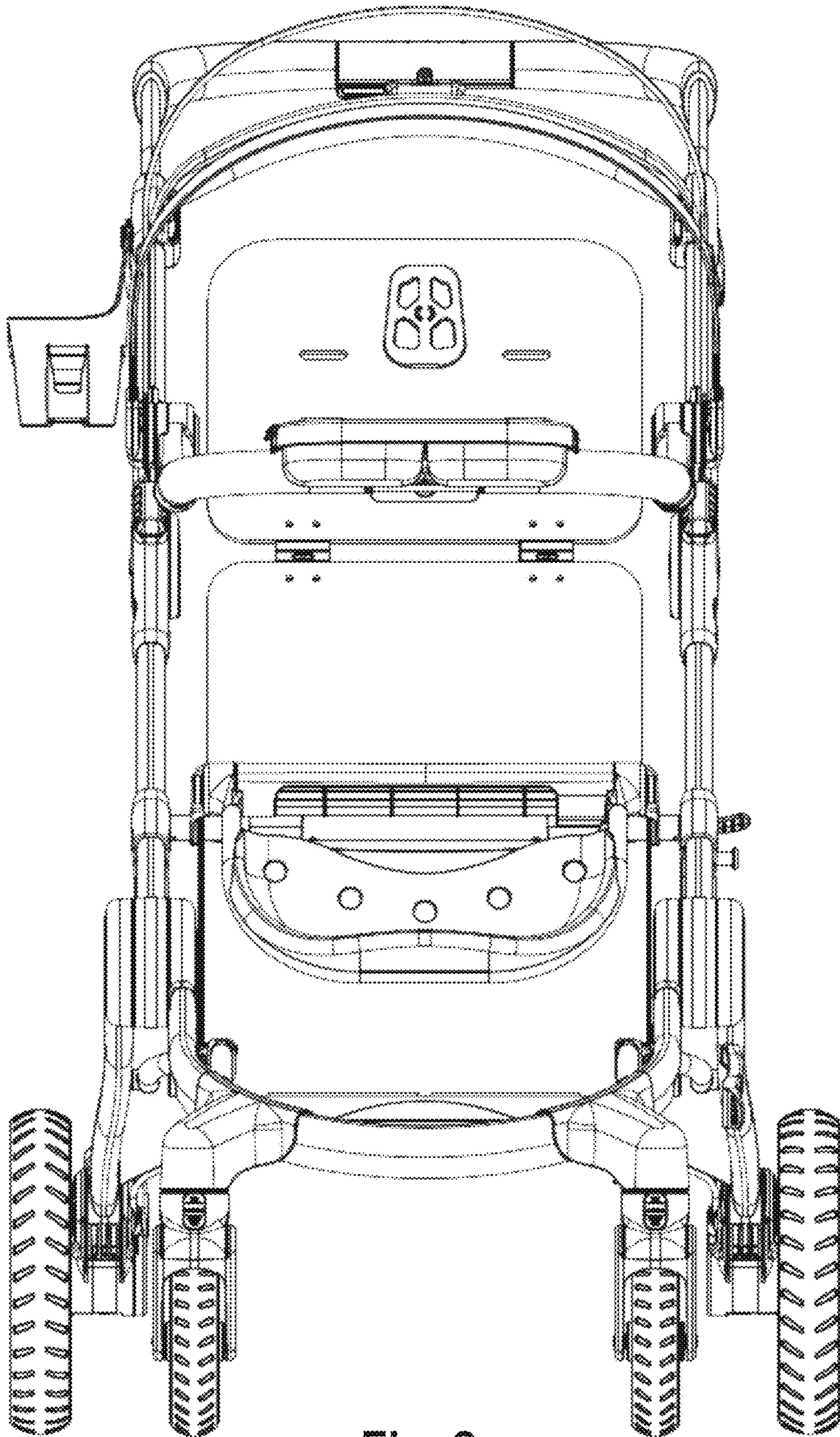


Fig. 2

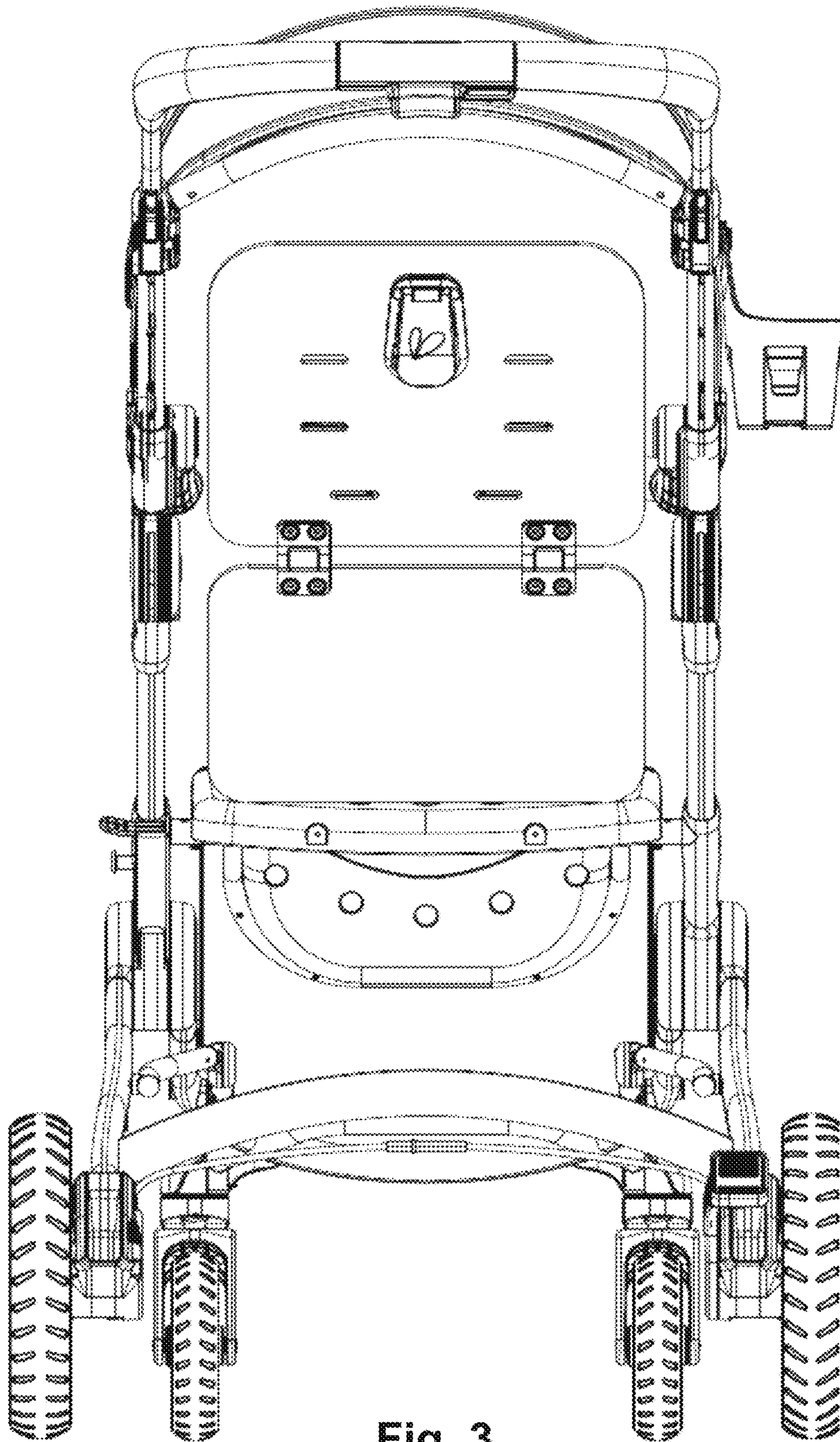


Fig. 3

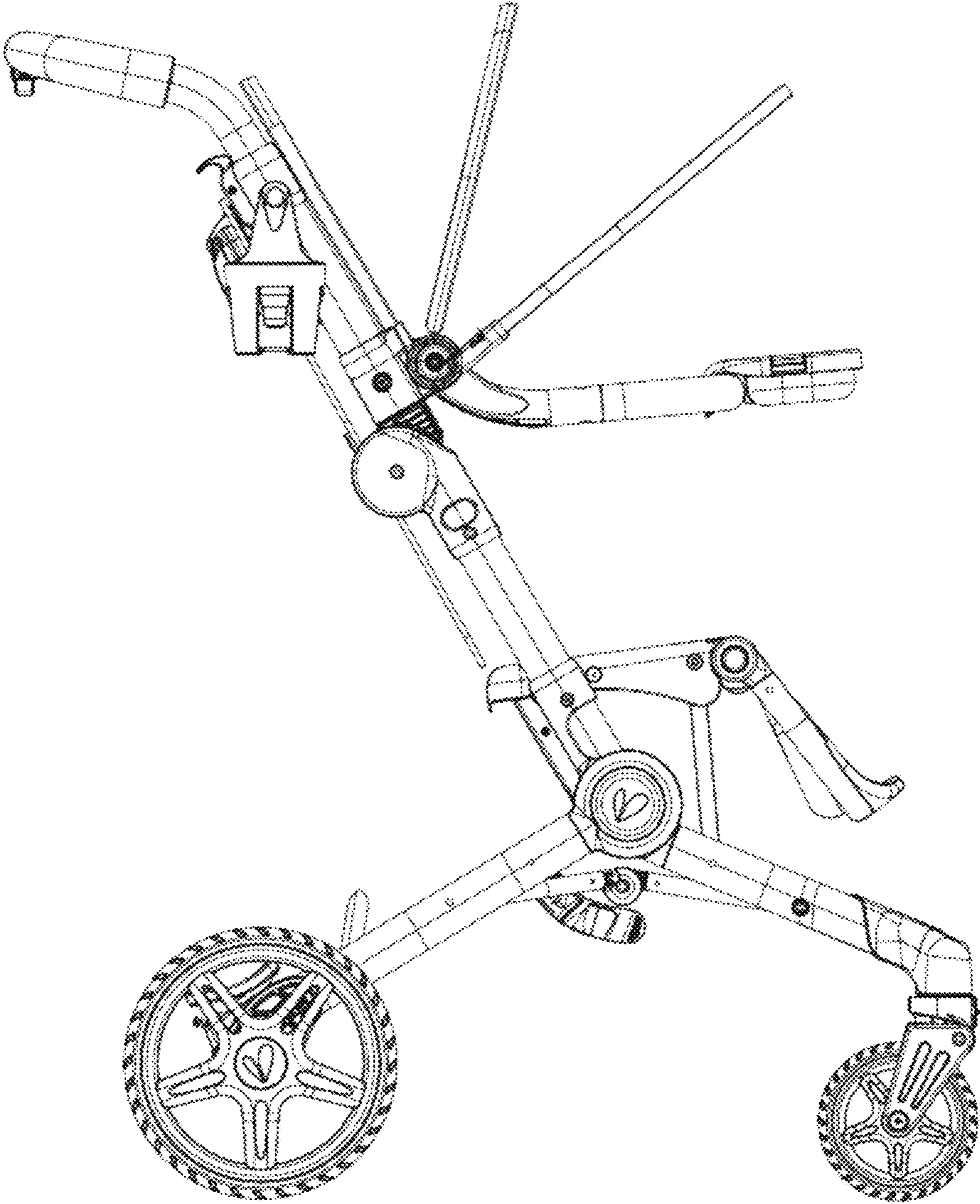


Fig. 4

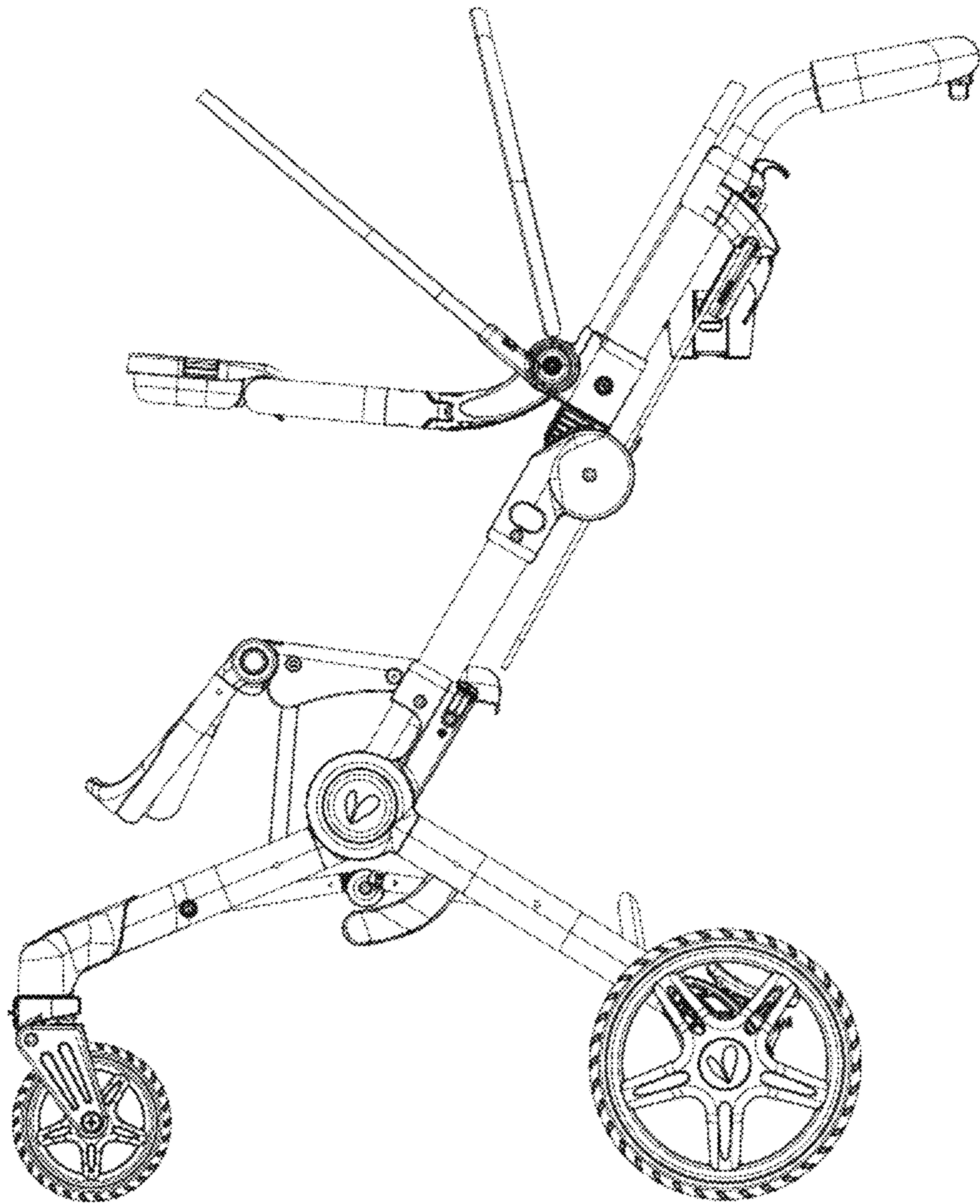


Fig. 5

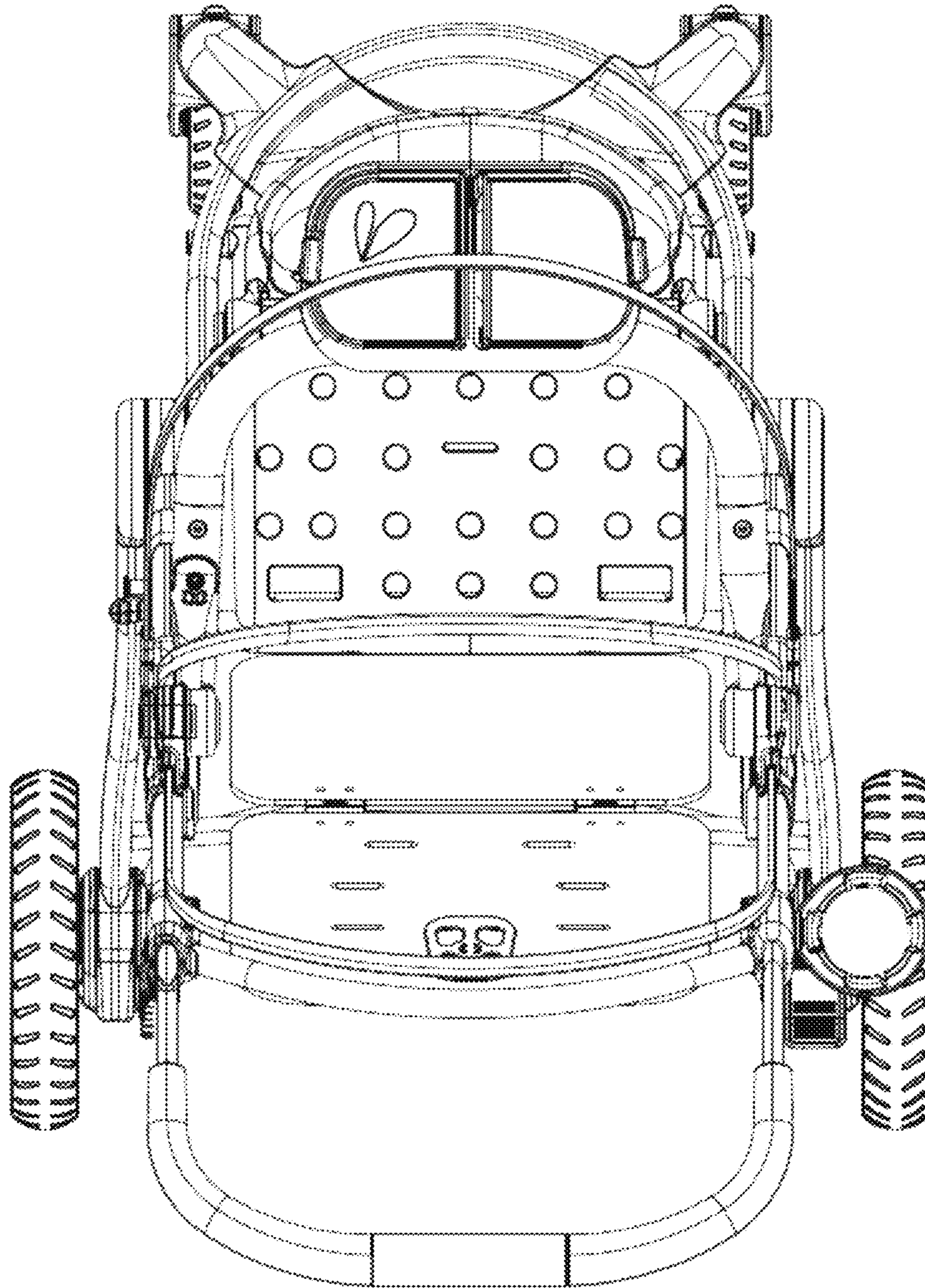


Fig. 6

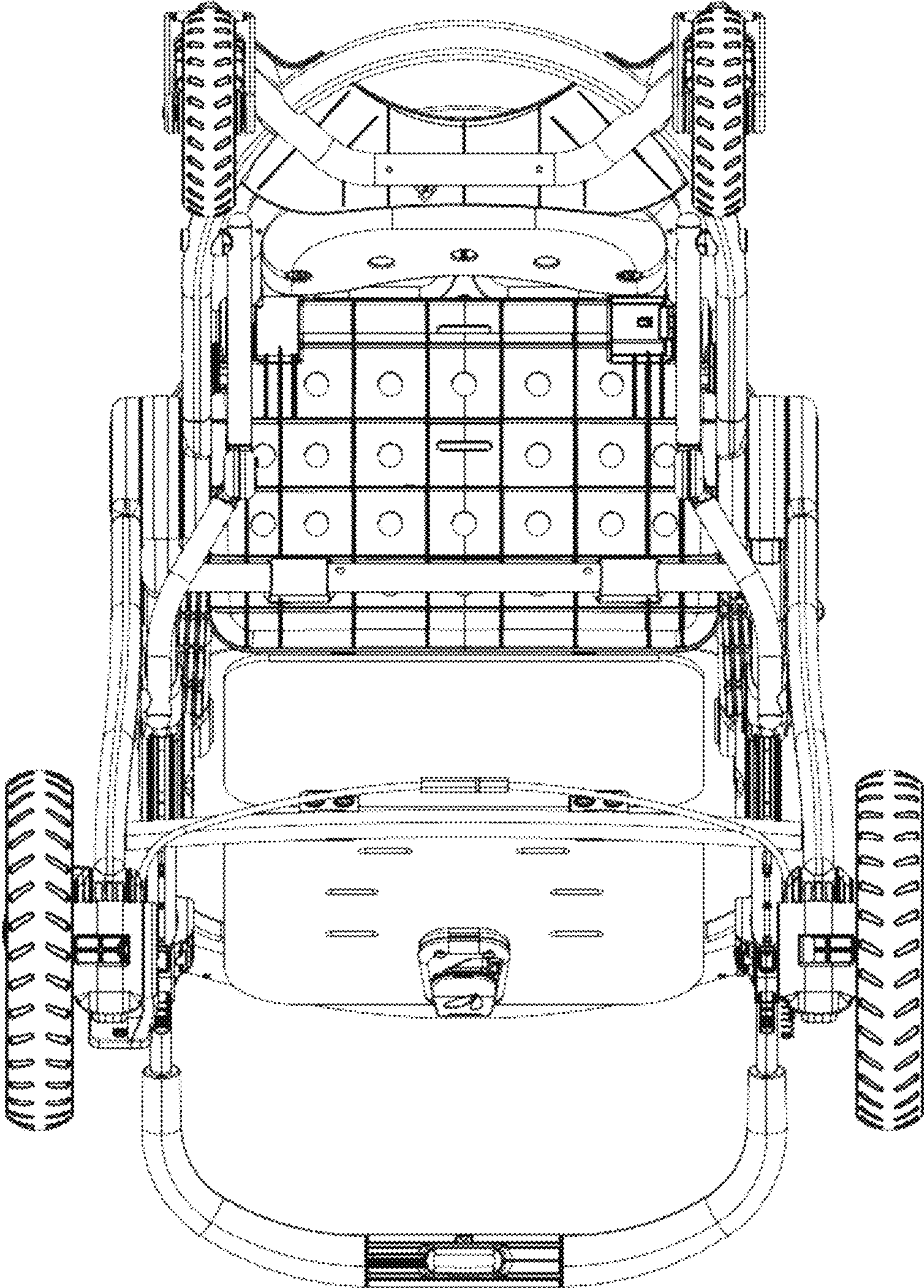


Fig. 7