



US00D816553S

(12) **United States Design Patent** (10) **Patent No.:** **US D816,553 S**
Hsieh (45) **Date of Patent:** **** May 1, 2018**

(54) **MOTORCYCLE**
(71) Applicant: **KWANG YANG MOTOR CO., LTD.,**
Kaohsiung (TW)
(72) Inventor: **Tzu-Hao Hsieh,** Kaohsiung (TW)
(73) Assignee: **KWANG YANG MOTOR CO., LTD.,**
Kaohsiung (TW)
(**) Term: **15 Years**
(21) Appl. No.: **29/573,797**
(22) Filed: **Aug. 10, 2016**
(51) **LOC (11) Cl.** **12-11**
(52) **U.S. Cl.**
USPC **D12/110**
(58) **Field of Classification Search**
USPC D12/110, 111, 117; D21/432, 538
CPC B62K 11/00; B62K 11/02; B62K 11/04;
B62K 11/10; B62K 17/00; B62K 19/00;
B62K 2202/00
See application file for complete search history.

D651,138 S * 12/2011 Lai D12/110
D677,601 S * 3/2013 Yanagita D12/110
D688,983 S * 9/2013 Shibuta D12/110
D690,236 S * 9/2013 Futamata D12/110
D715,696 S * 10/2014 Sasanami D12/110
8,973,696 B2 * 3/2015 Hamauzu B60T 8/3225
180/219
D733,007 S * 6/2015 Futamata D12/110
D735,085 S * 7/2015 Buckan D12/110
D744,905 S * 12/2015 Shibuta D12/110
D755,681 S * 5/2016 Martin D12/110
D756,269 S * 5/2016 Hahn-Woernle D12/110
D758,925 S * 6/2016 Tamura D12/110
2014/0091552 A1 * 4/2014 Tominaga B62K 11/04
280/284
2014/0291958 A1 * 10/2014 Tanaka B62K 11/00
280/202

* cited by examiner

Primary Examiner — Darlington Ly

(74) *Attorney, Agent, or Firm* — Leong C. Lei

(57) **CLAIM**

The ornamental design for a motorcycle, as shown and described.

DESCRIPTION

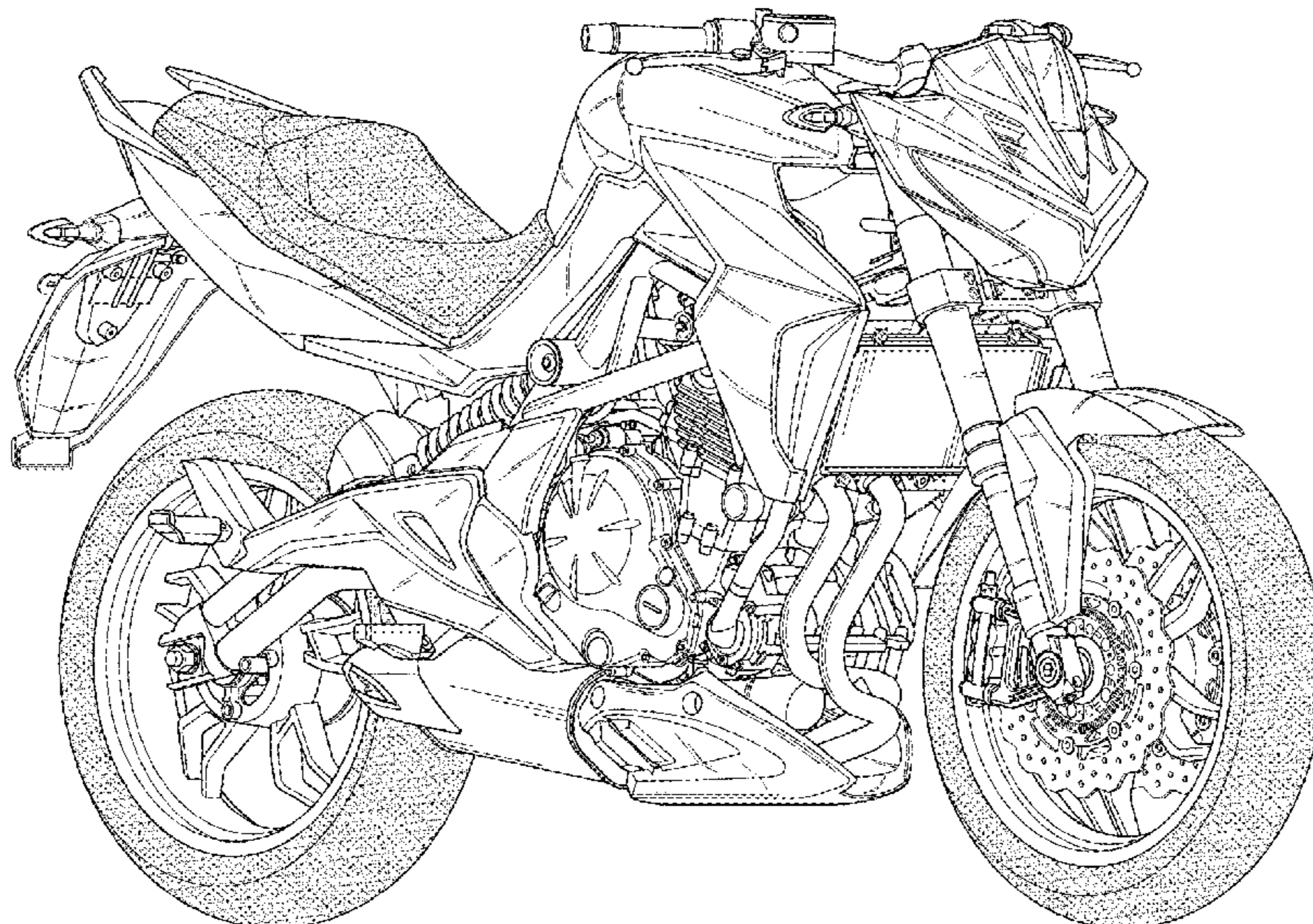
FIG. 1 is a perspective view of a motorcycle showing my new design;
FIG. 2 is a front elevational view thereof;
FIG. 3 is a rear elevational view thereof;
FIG. 4 is a left side elevational view thereof;
FIG. 5 is a right side elevational view thereof;
FIG. 6 is a top plan view thereof; and,
FIG. 7 is a bottom plan view thereof.
The broken lines in the drawings illustrate portions of the motorcycle that do not form part of the claimed design.

1 Claim, 7 Drawing Sheets

(56) **References Cited**

U.S. PATENT DOCUMENTS

D531,091 S * 10/2006 Limura D12/110
D559,738 S * 1/2008 Takigawa D12/110
D564,416 S * 3/2008 Isokari D12/110
D565,472 S * 4/2008 Hohdorf D12/110
D582,317 S * 12/2008 Takigawa D12/110
D596,083 S * 7/2009 Watanabe D12/110
D598,815 S * 8/2009 Nagao D12/110
D601,460 S * 10/2009 Wong D12/110
D605,089 S * 12/2009 Tanaka D12/110
D610,046 S * 2/2010 Miyake D12/110
D638,756 S * 5/2011 Kouchi D12/110
D649,914 S * 12/2011 Marasco D12/110



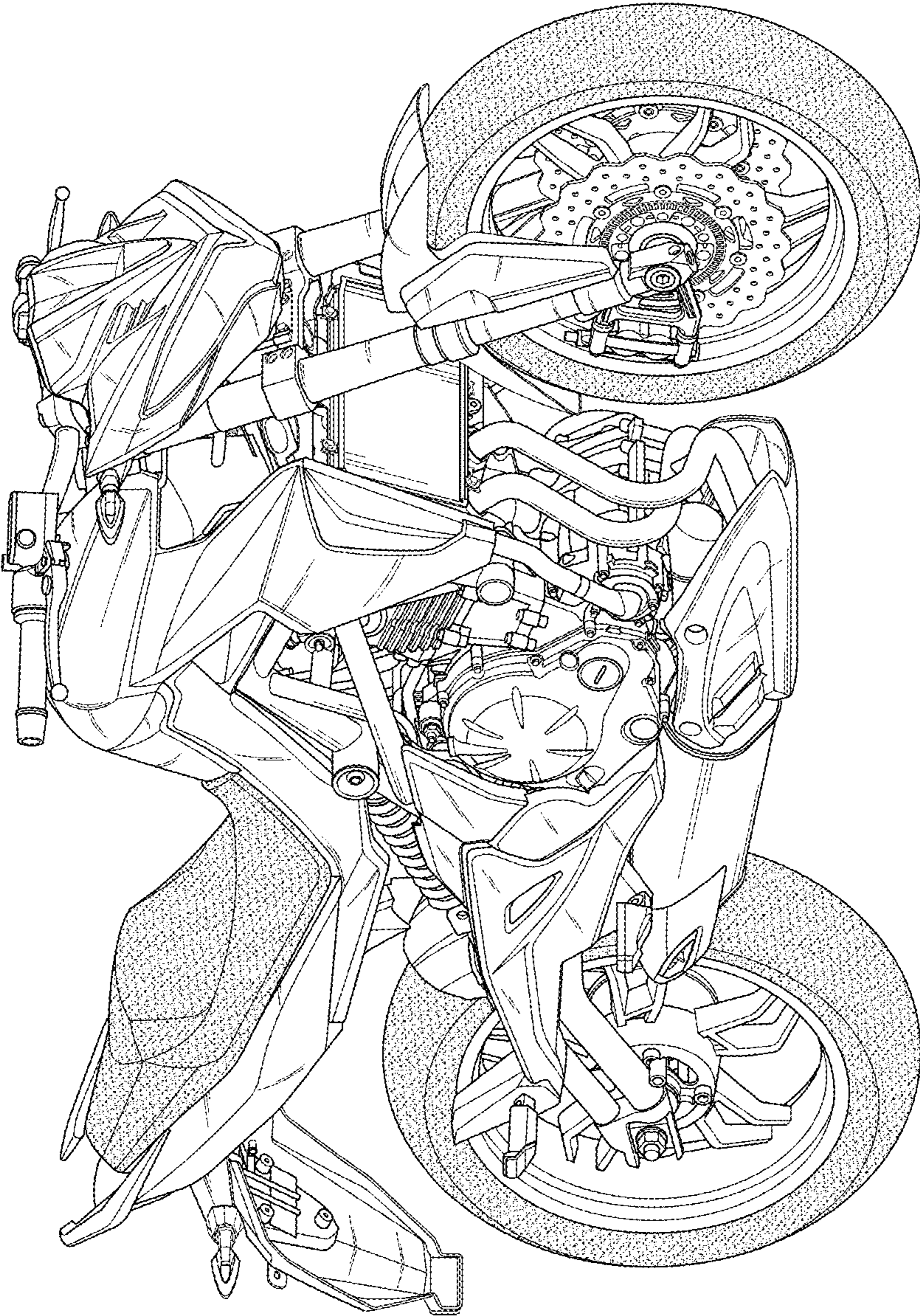


FIG.1

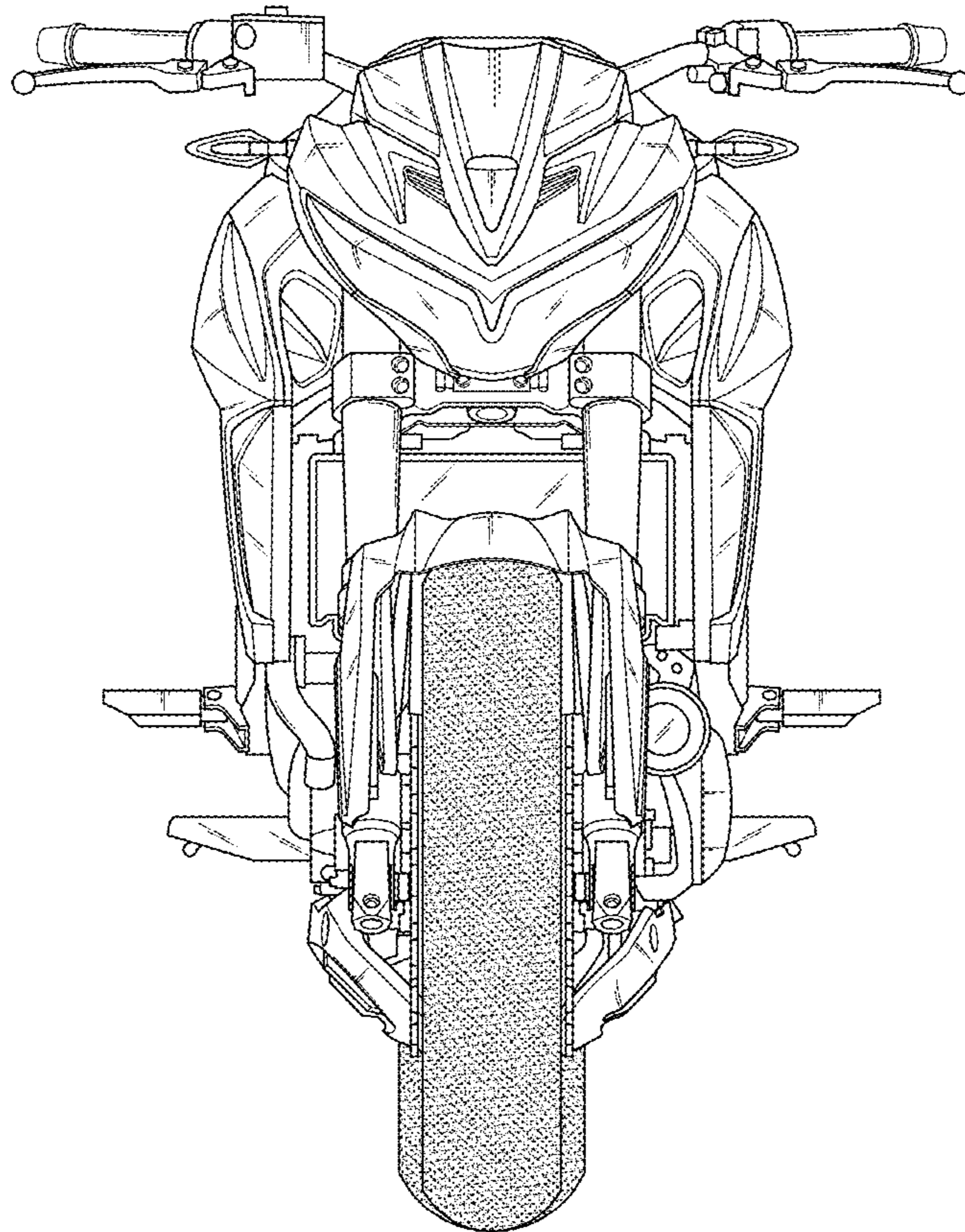


FIG.2

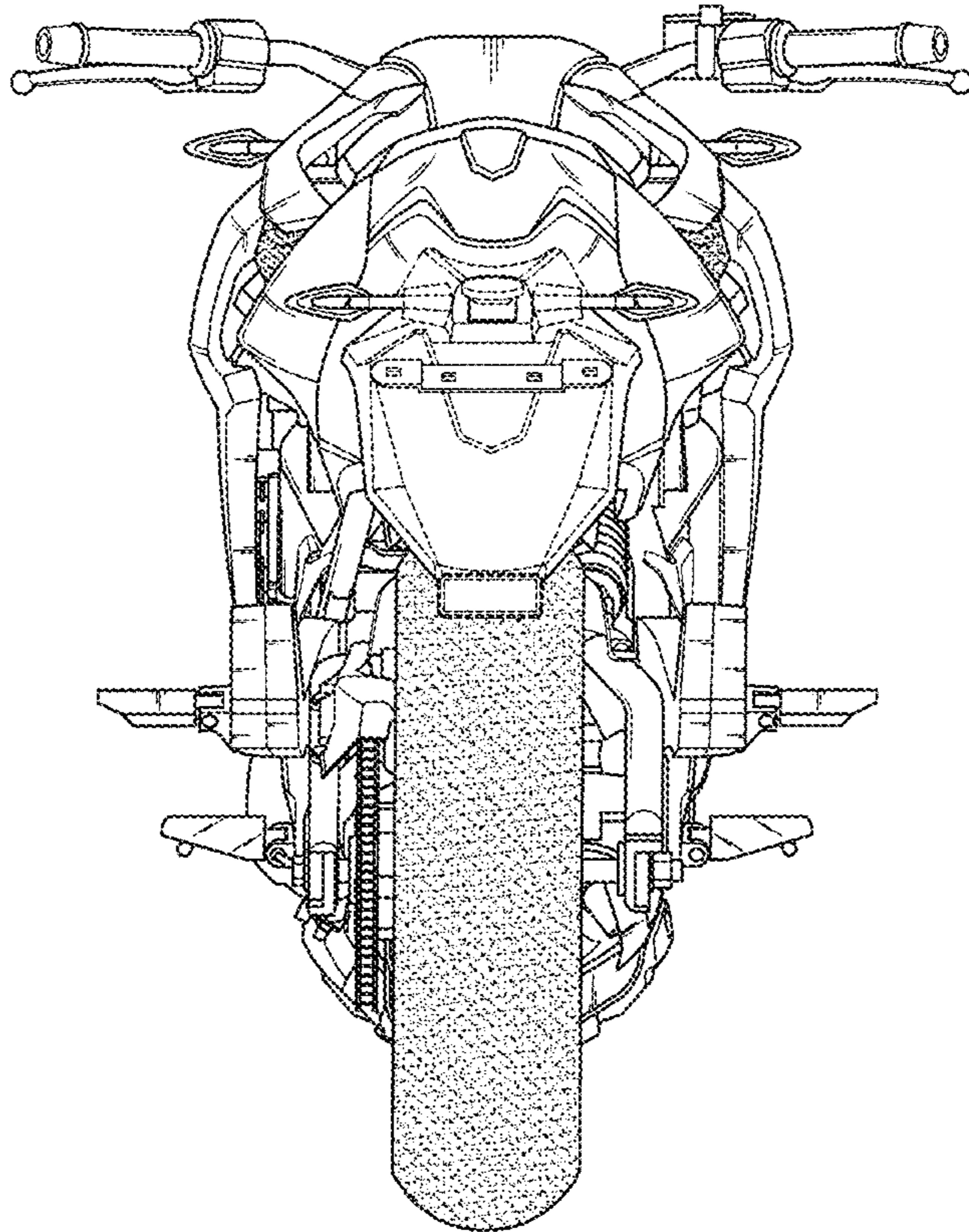


FIG.3

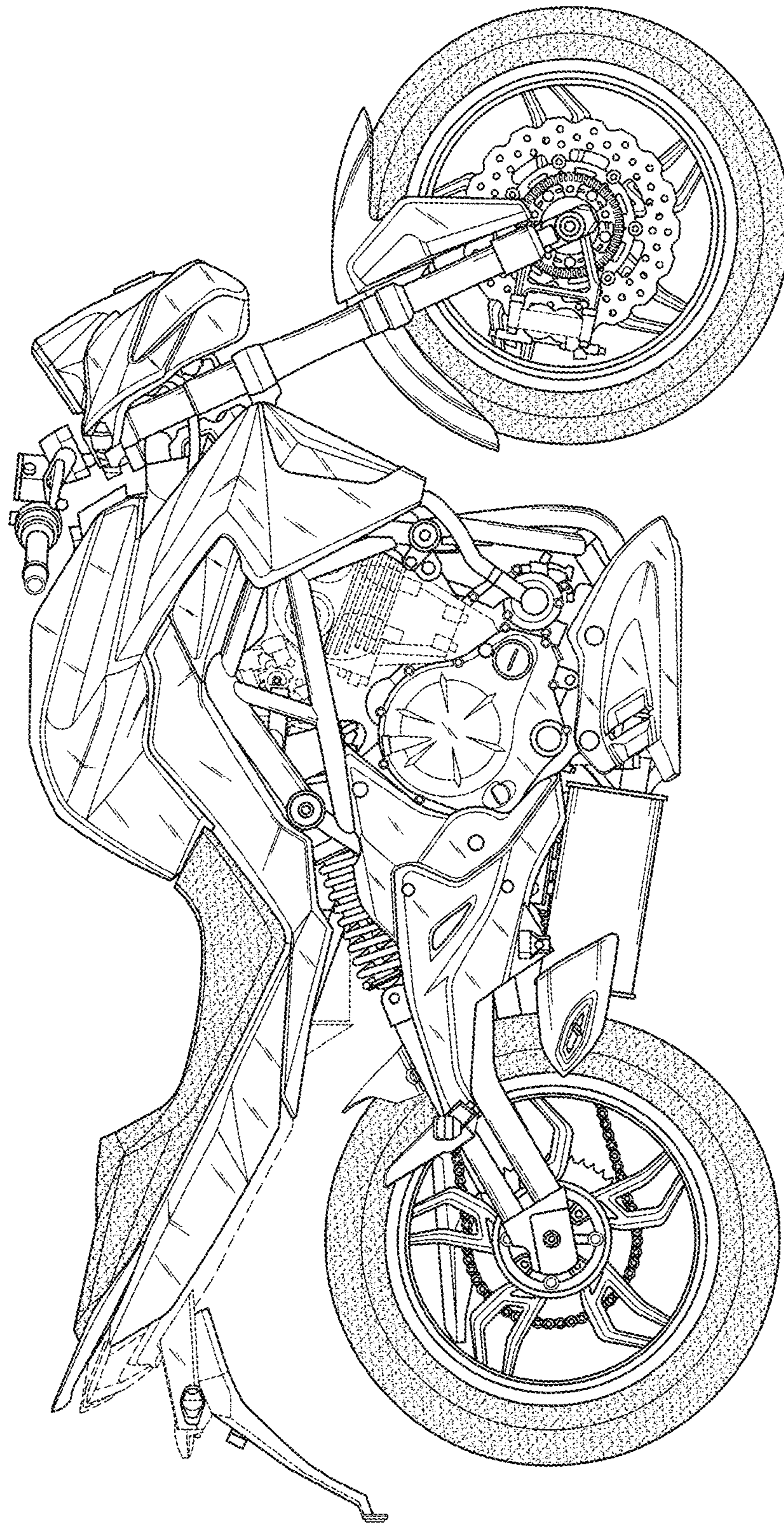


FIG.4

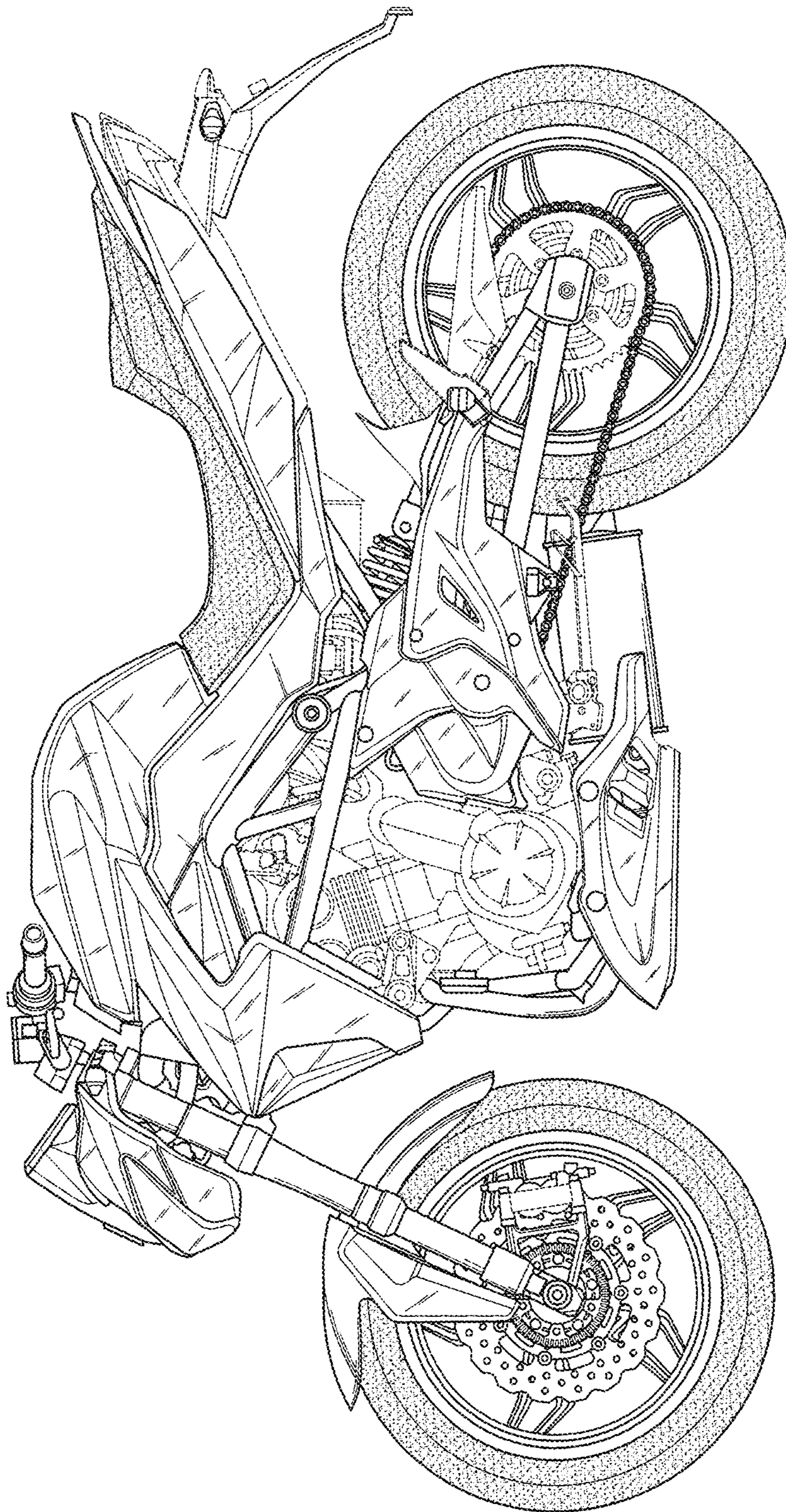


FIG.5

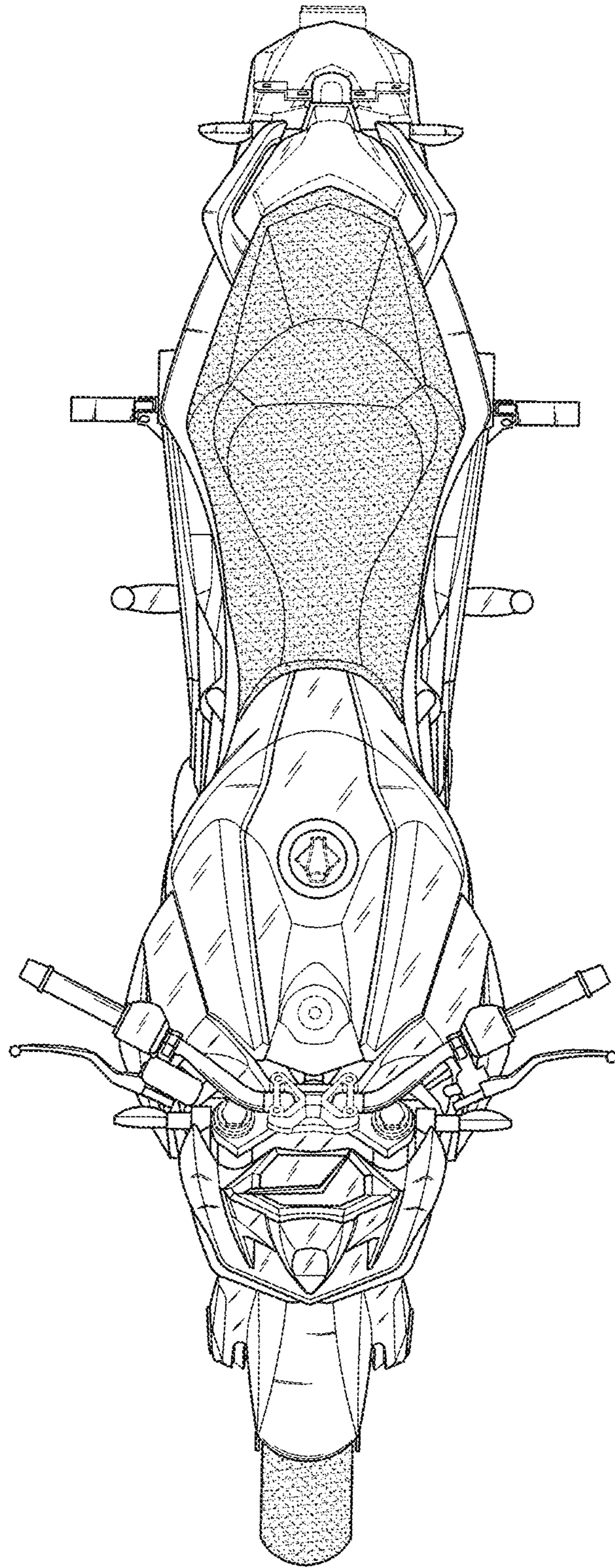


FIG.6

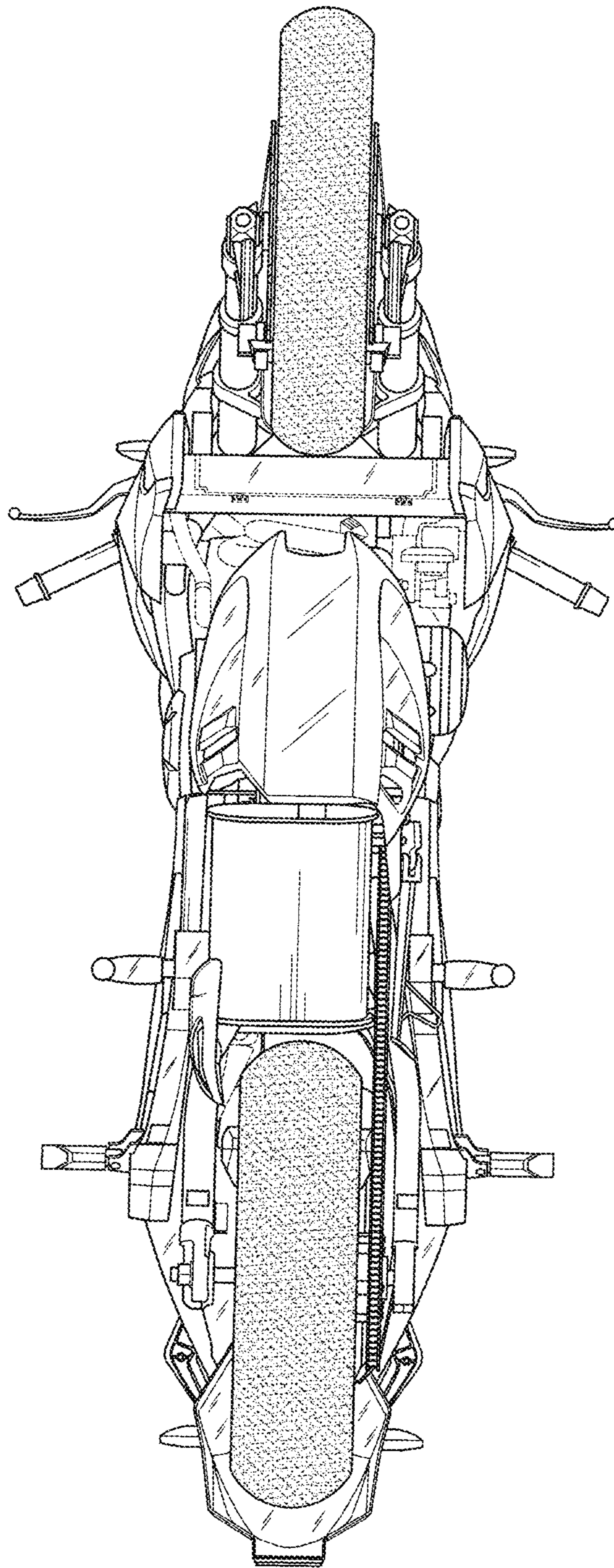


FIG. 7