



US00D816551S

(12) **United States Design Patent** (10) **Patent No.:** **US D816,551 S**
Leyrikh (45) **Date of Patent:** **** May 1, 2018**

(54) **VEHICLE**

(71) Applicant: **Anatoliy Andreevich Leyrikh,**
Moscow (RU)

(72) Inventor: **Anatoliy Andreevich Leyrikh,**
Moscow (RU)

(**) Term: **15 Years**

(21) Appl. No.: **29/591,910**

(22) Filed: **Jan. 25, 2017**

(30) **Foreign Application Priority Data**

Oct. 12, 2016 (RU) 2016504077

(51) **LOC (11) Cl.** **12-08**

(52) **U.S. Cl.**
USPC **D12/87**

(58) **Field of Classification Search**
USPC D12/82, 87, 88, 12, 14, 86, 90, 91, 92,
D12/107; D21/533, 548, 549, 550, 551
CPC B62D 21/183; B62D 63/02; B62D 27/02;
F41H 7/00
See application file for complete search history.

(56) **References Cited**

U.S. PATENT DOCUMENTS

- D213,615 S * 3/1969 Tyrrell D12/87
- D223,817 S * 6/1972 Halopoff D12/87
- D237,873 S * 12/1975 Johnson D12/87
- D312,989 S * 12/1990 Murata D12/87
- 5,061,007 A * 10/1991 Simpson B60G 21/05
180/903
- 5,078,223 A * 1/1992 Ishiwatari B62D 21/183
123/41.49
- 5,251,713 A * 10/1993 Enokimoto B60R 5/003
180/68.4
- D422,941 S * 4/2000 Sigurosson D12/91
- D467,200 S 12/2002 Luo et al.

- D500,707 S 1/2005 Lu
- D535,215 S 1/2007 Turner et al.
- D549,133 S 8/2007 LePage
- D563,274 S * 3/2008 Ramos D12/87
- D579,824 S * 11/2008 Pandey D12/12
- D590,743 S * 4/2009 Waters D12/1
- D605,977 S * 12/2009 Zipfel D12/91
- D640,171 S * 6/2011 Danisi D12/87
- D649,909 S * 12/2011 Mullen D12/86
- D760,120 S * 6/2016 Leyrikh D12/12
- D782,935 S * 4/2017 Knox D12/87

(Continued)

FOREIGN PATENT DOCUMENTS

RU 42472 10/1995

Primary Examiner — T. Chase Nelson

Assistant Examiner — Ania Aman

(74) *Attorney, Agent, or Firm* — Ling Wu; Stephanie Yang; Ling and Yang Intellectual Property

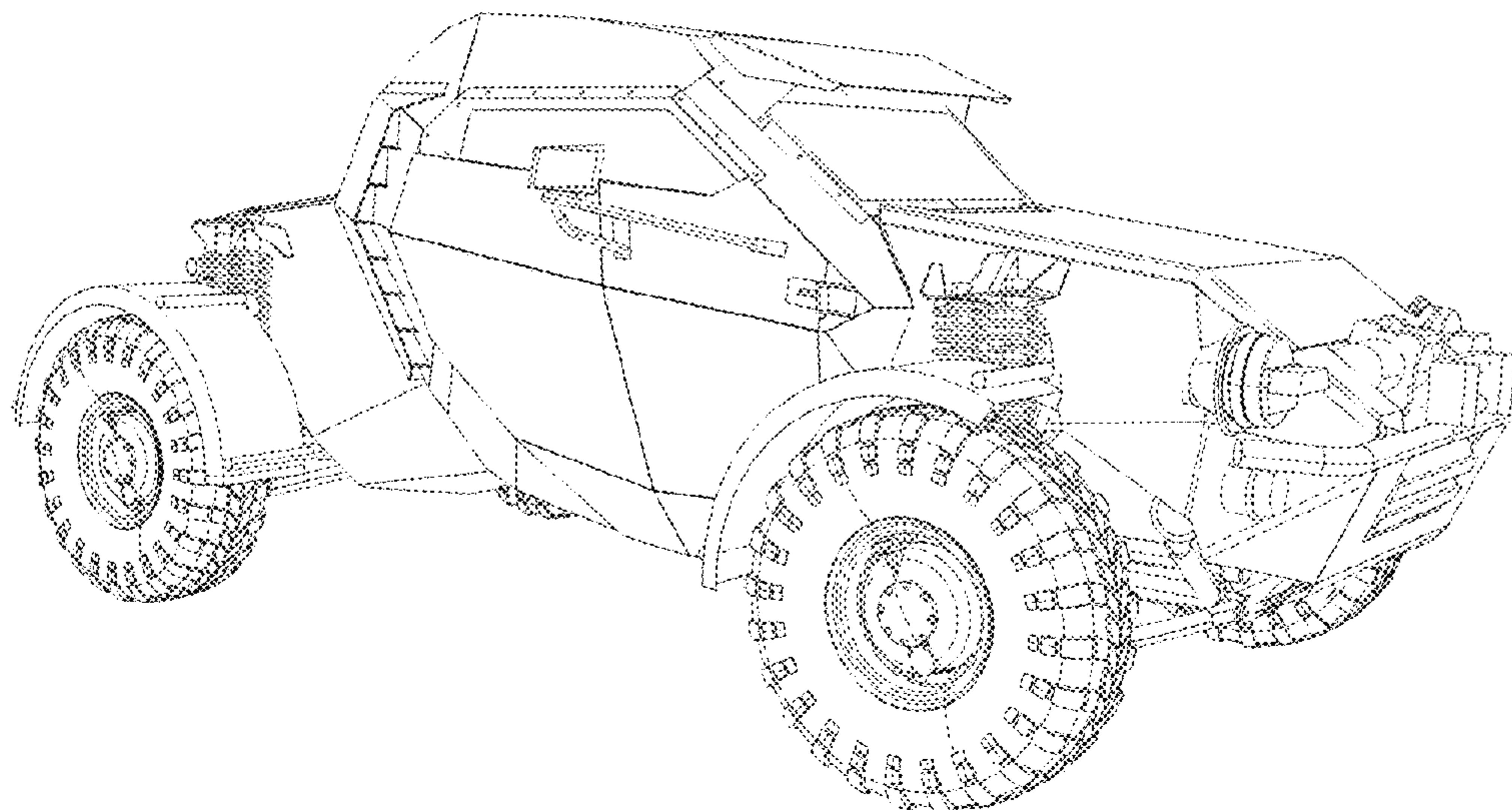
(57) **CLAIM**

The ornamental design for a vehicle, as shown and described.

DESCRIPTION

FIG. 1 is a perspective view from the front and left of a vehicle showing the design;
 FIG. 2 is a perspective view from the front and right of the vehicle shown in FIG. 1;
 FIG. 3 is a perspective view from the rear and left of the vehicle shown in FIG. 1;
 FIG. 4 is a perspective view from the rear and right of the motor vehicle shown in FIG. 1;
 FIG. 5 is a front view of the vehicle shown in FIG. 1;
 FIG. 6 is a rear view of the vehicle shown in FIG. 1;
 FIG. 7 is a left view of the vehicle shown in FIG. 1;
 FIG. 8 is a right view of the vehicle shown in FIG. 1; and,
 FIG. 9 is a top plan view of the vehicle shown in FIG. 1.

1 Claim, 5 Drawing Sheets



(56)

References Cited

U.S. PATENT DOCUMENTS

2007/0000715 A1* 1/2007 Denney B62D 21/08
180/311
2007/0169983 A1* 7/2007 Hartley B62D 31/00
180/320
2008/0017426 A1* 1/2008 Walters B60F 3/003
180/89.1
2017/0043805 A1* 2/2017 Krammel B62K 5/01
2017/0349227 A1* 12/2017 Spindler B62D 65/10

* cited by examiner

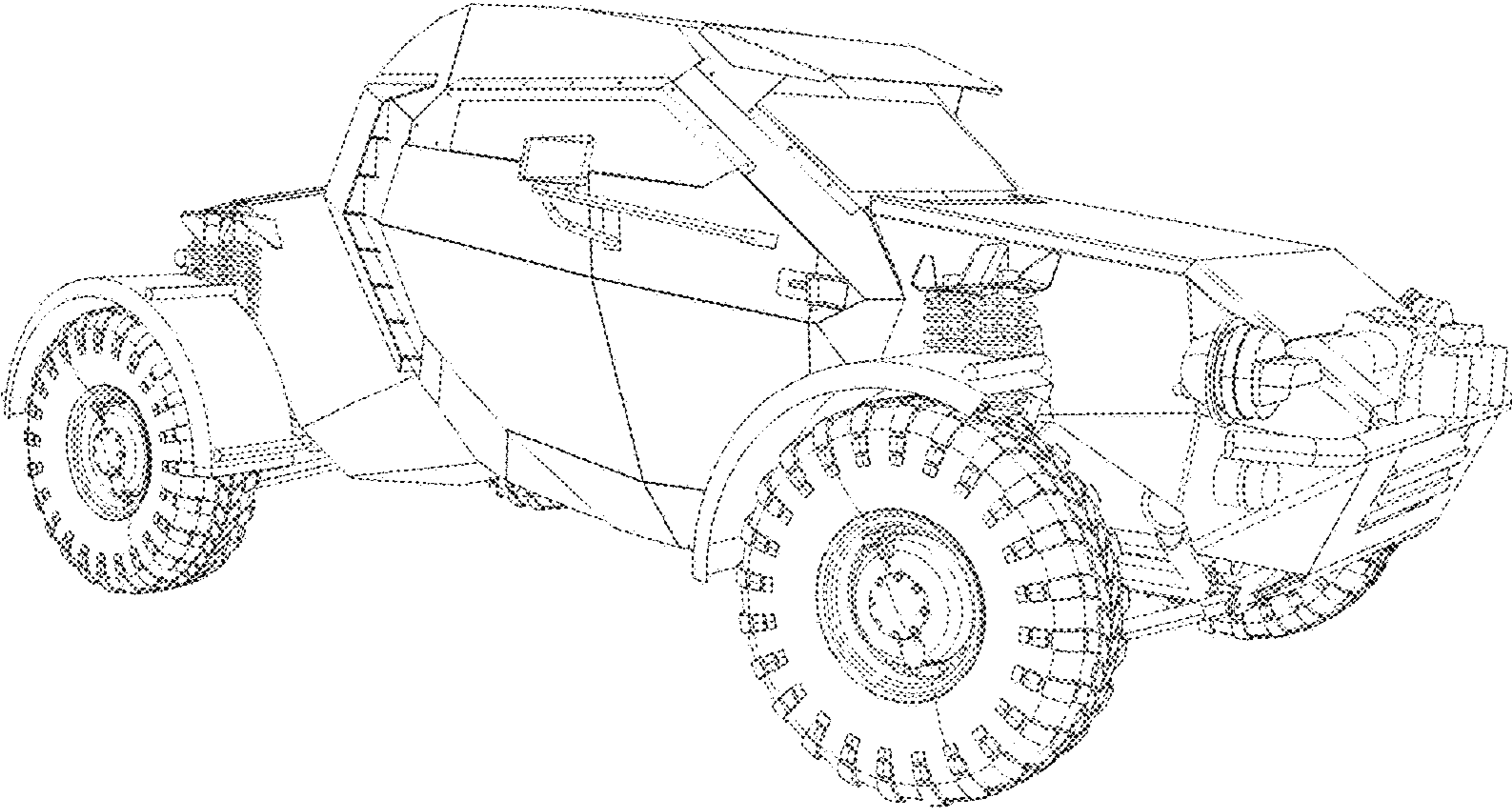


Fig. 1

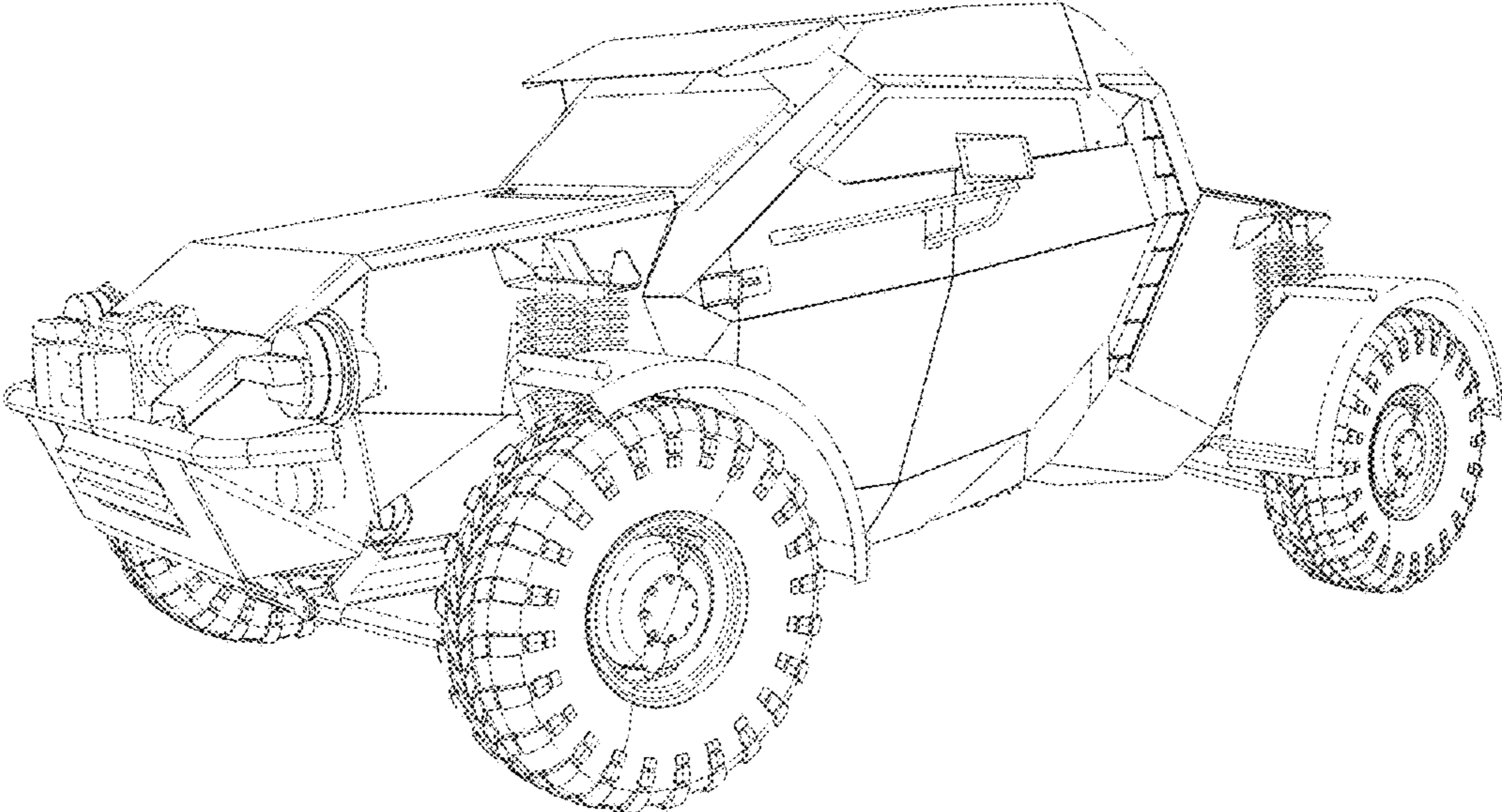


Fig. 2

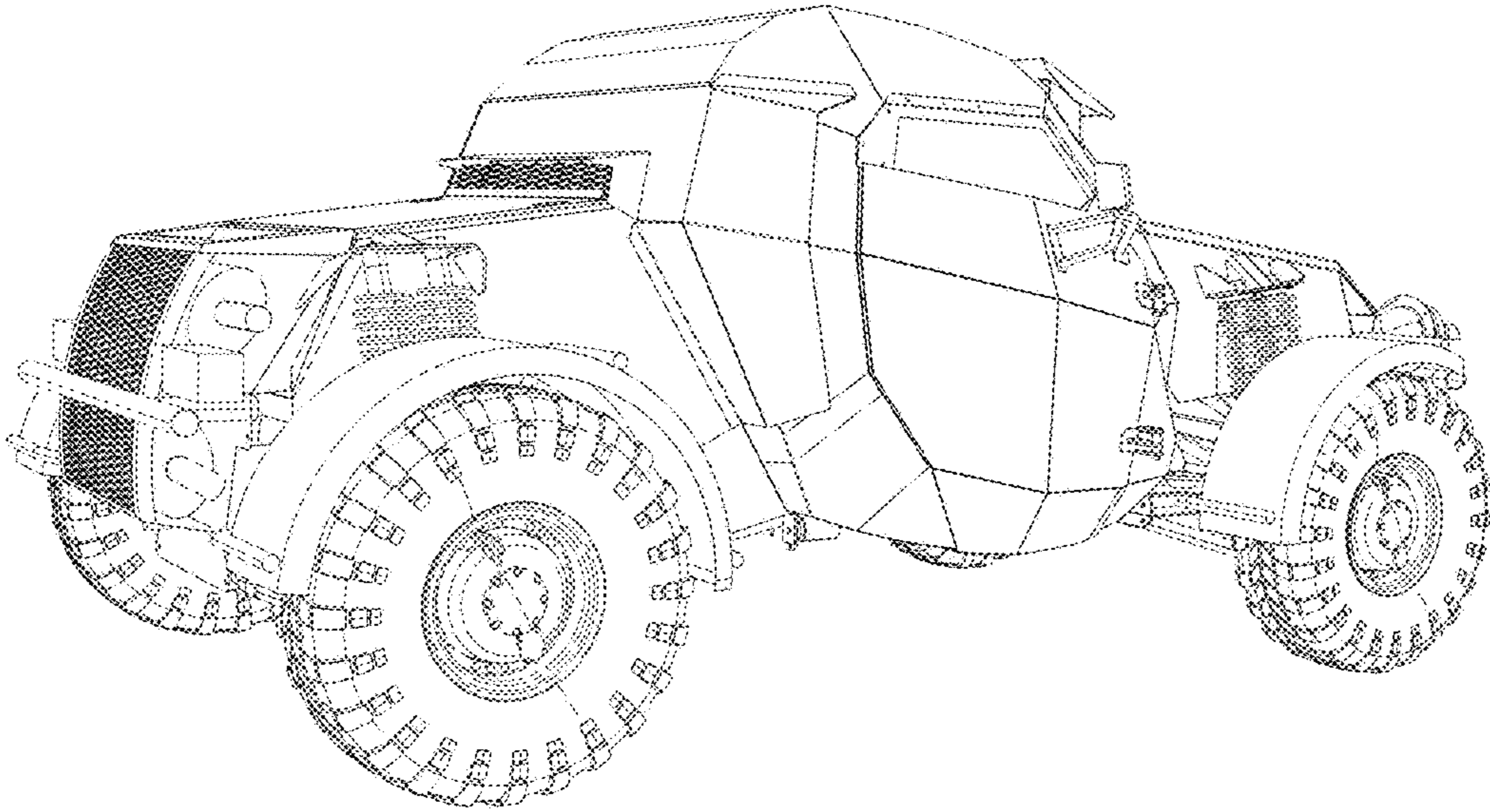


Fig. 3

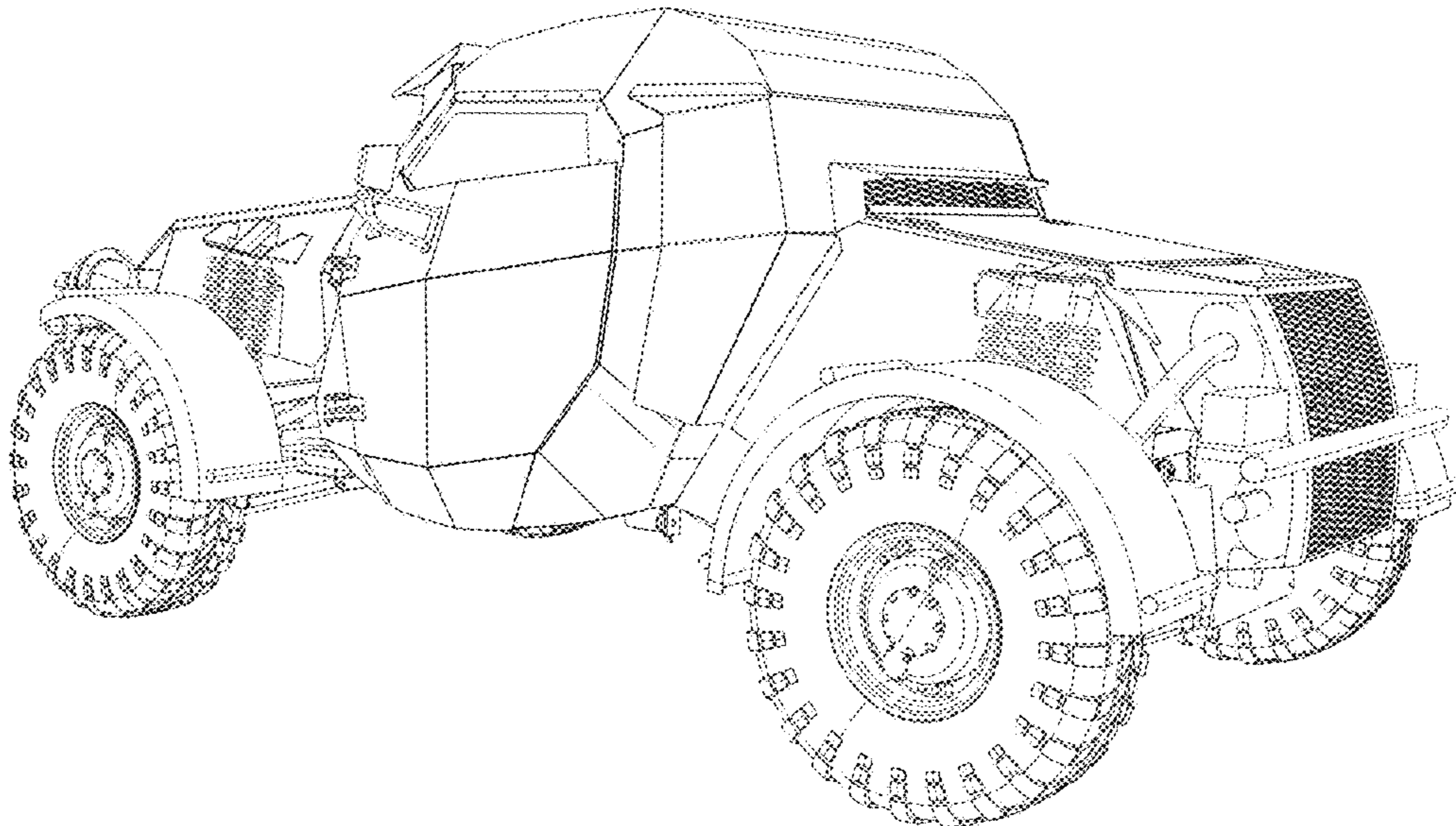


Fig. 4

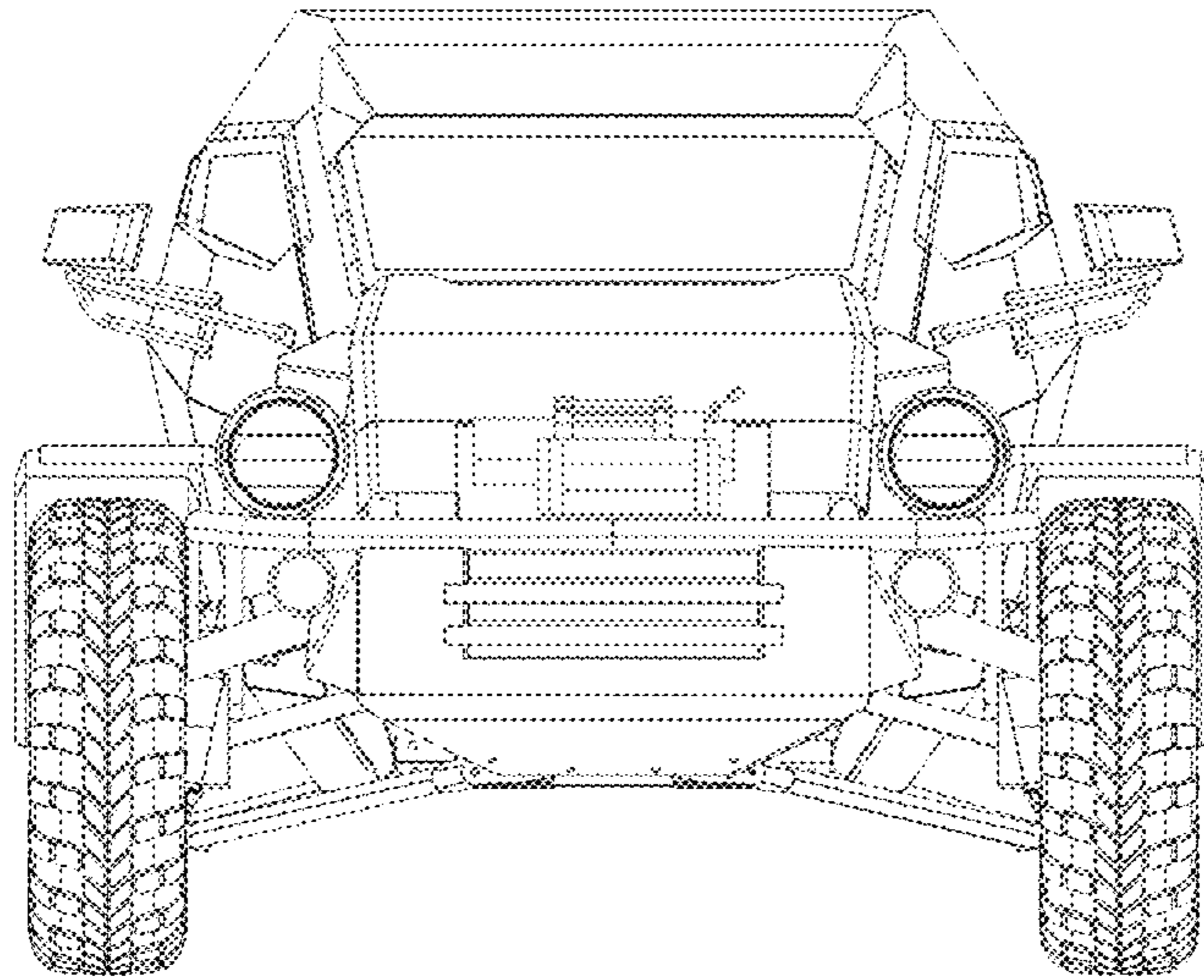


Fig. 5

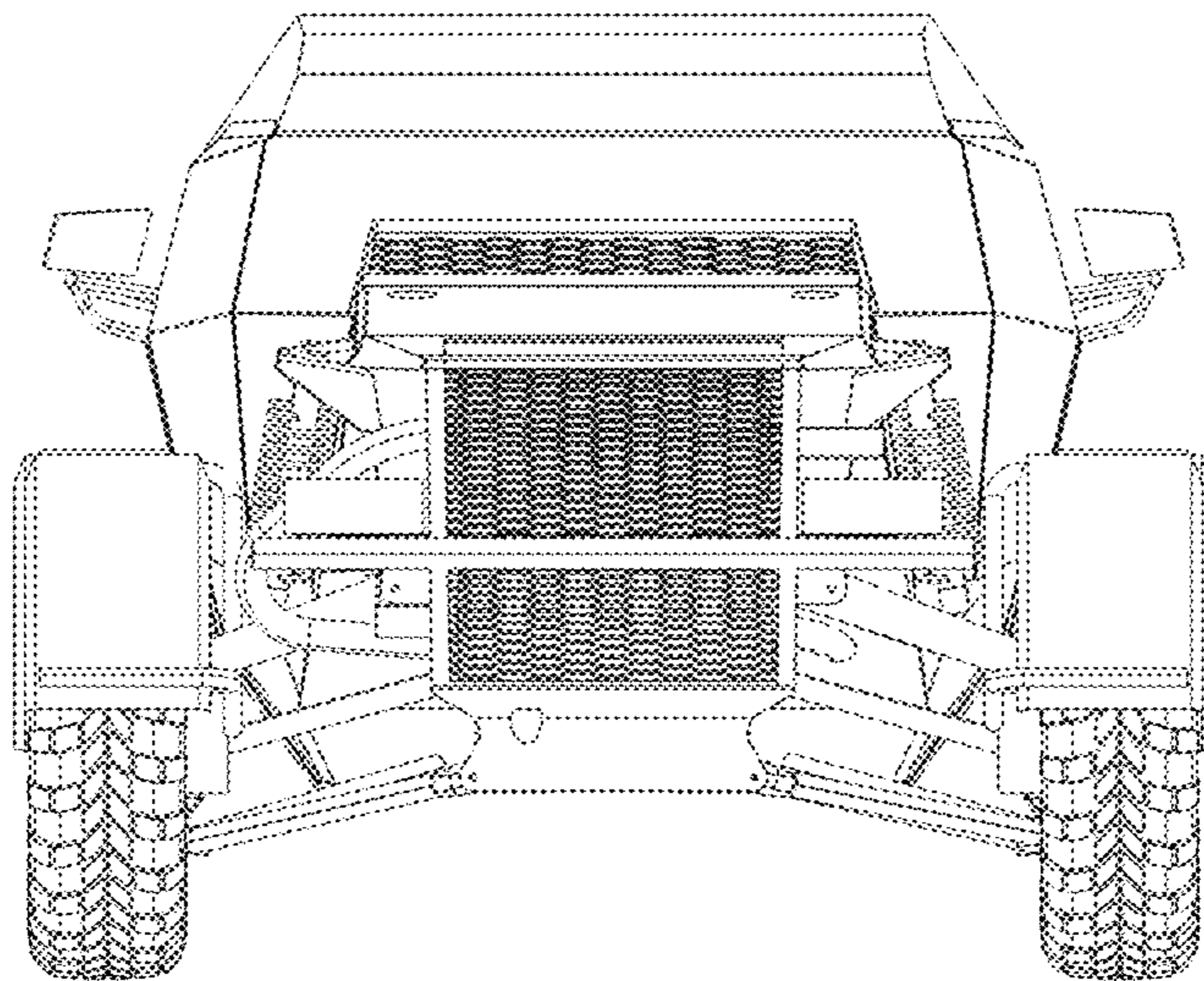


Fig. 6

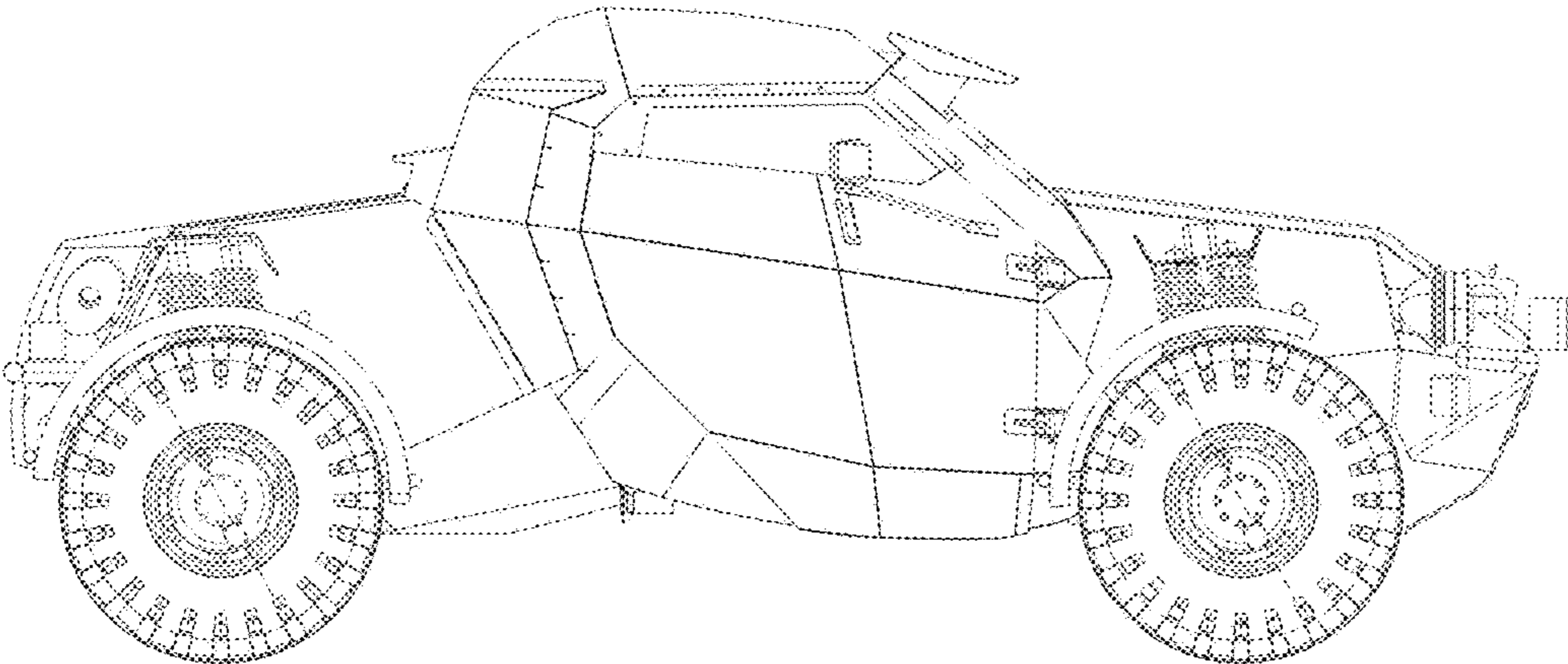


Fig. 7

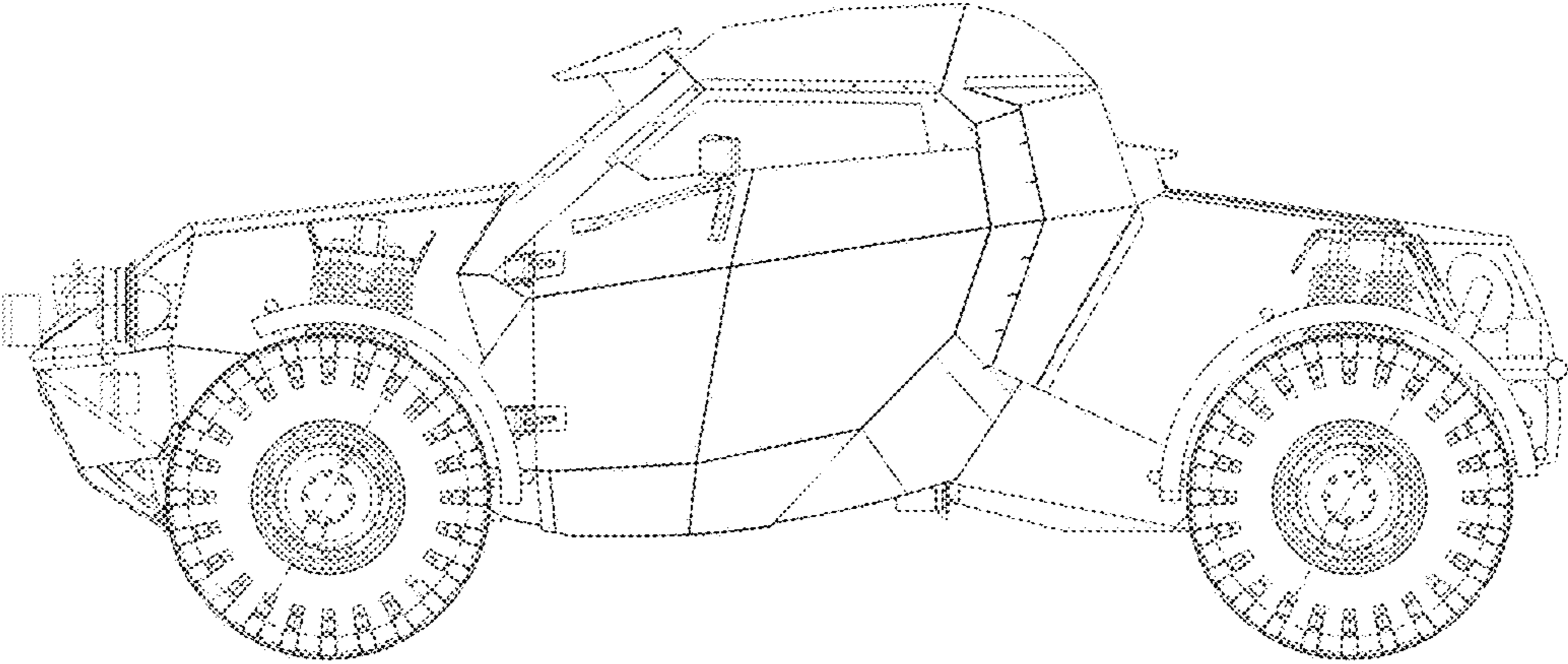


Fig. 8

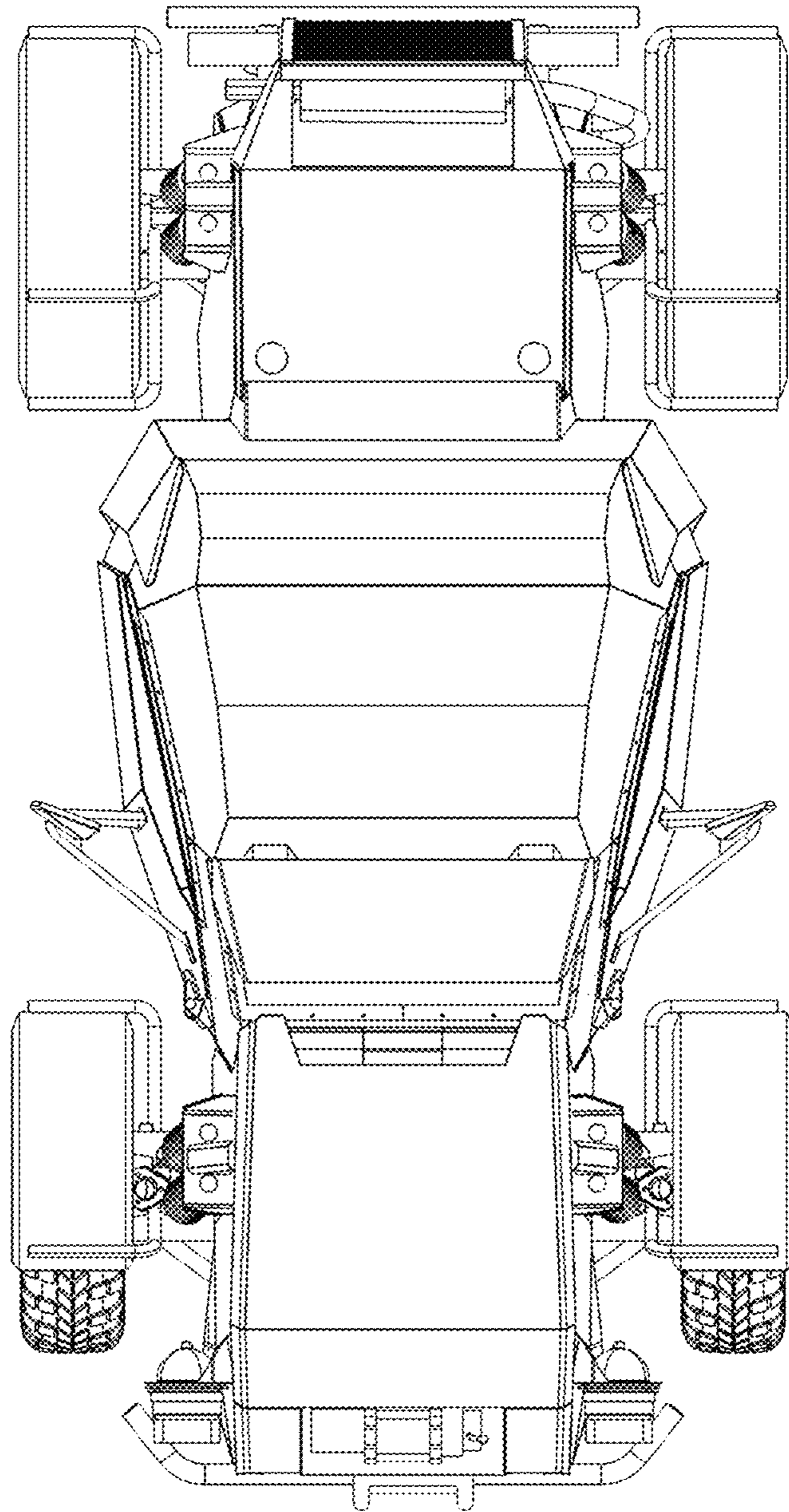


Fig. 9