



US00D816548S

(12) **United States Design Patent**
Soylemez et al.

(10) **Patent No.:** **US D816,548 S**
(45) **Date of Patent:** **** May 1, 2018**

- (54) **THIRD RAIL BRACKET**
- (71) Applicants: **Emrecaan Soylemez**, Kadikoy Istanbul (TR); **Korhan Ciloglu**, Pittsburgh, PA (US)
- (72) Inventors: **Emrecaan Soylemez**, Kadikoy Istanbul (TR); **Korhan Ciloglu**, Pittsburgh, PA (US)
- (73) Assignee: **L. B. Foster Company**, Pittsburgh, PA (US)
- (**) Term: **15 Years**
- (21) Appl. No.: **29/569,086**
- (22) Filed: **Jun. 23, 2016**
- (51) **LOC (11) Cl.** **12-03**
- (52) **U.S. Cl.**
USPC **D12/51**
- (58) **Field of Classification Search**
USPC D8/323, 327, 328, 349, 354, 363, 364, D8/380, 381, 394; D12/15, 42, 48, 49, D12/50, 51; D23/303; D24/155; D34/28
CPC B60L 5/40; B60L 2200/26; B60M 1/04; B60M 1/30; B60M 1/307; B60M 1/34; B60M 1/343; B60M 1/305; B60M 1/302; H01R 4/64; H01R 41/00
See application file for complete search history.

- 3,614,340 A * 10/1971 Harmsen B60M 1/307 191/32
- 4,318,462 A * 3/1982 Weinhaus B60M 1/30 191/30
- D352,015 S * 11/1994 Esworthy D12/51
- D702,596 S * 4/2014 Ciloglu D12/51
- D724,490 S * 3/2015 Ciloglu D12/50

OTHER PUBLICATIONS

7 Line Weekend Work, posted at Web.mta.info, posted on Mar. 8, 2014, [online], [site visited Apr. 24, 2017]. Available from Internet, <http://web.mta.info/nyct/service/7Line2014/weekendwork_march10.htm>.*

* cited by examiner

Primary Examiner — Mary Ann Calabrese
Assistant Examiner — Catherine Ho

(74) *Attorney, Agent, or Firm* — Paul D. Bangor, Jr.; Clark Hill PLC

(57) **CLAIM**

The ornamental design for a third rail bracket, as shown and described.

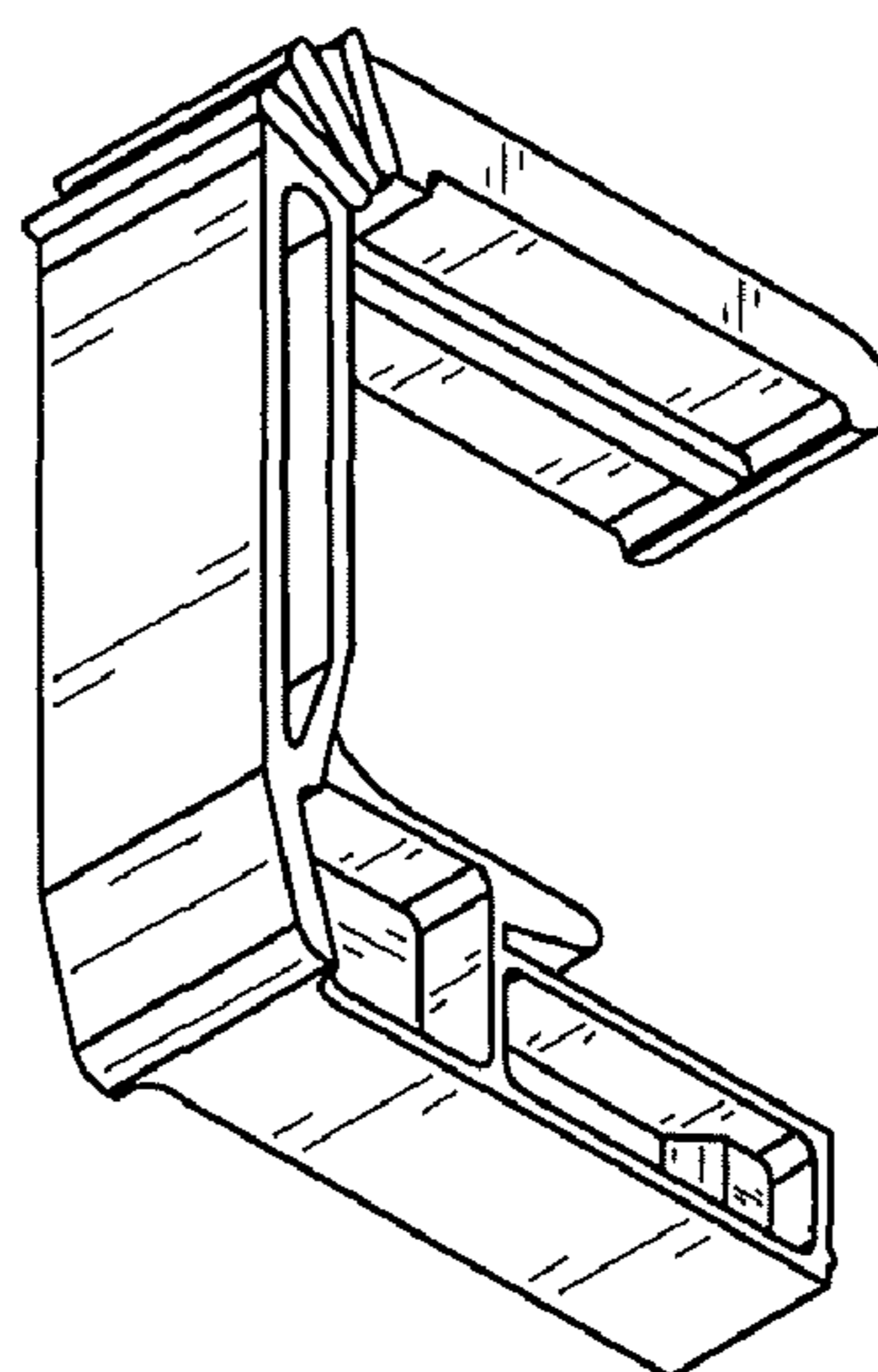
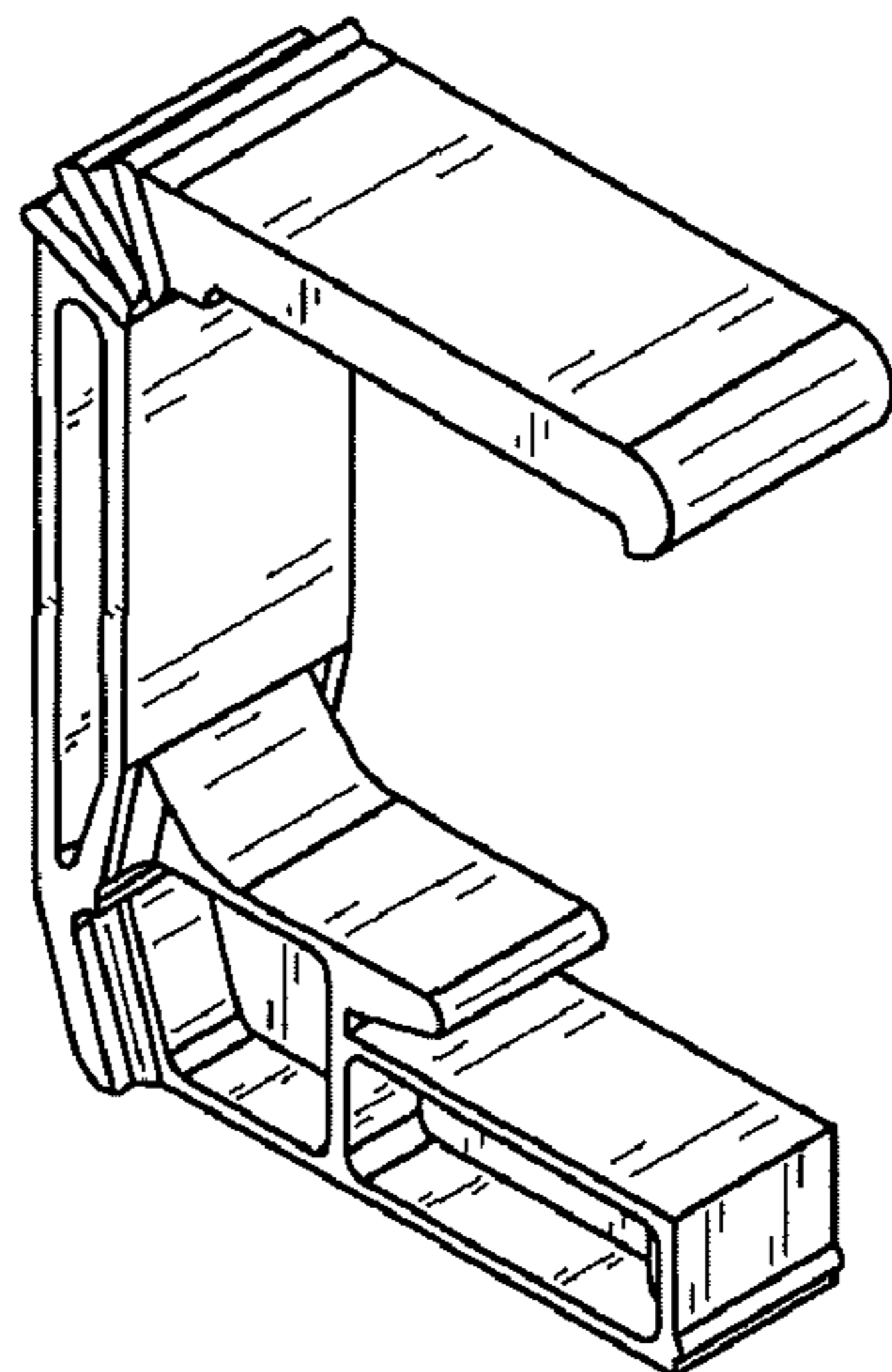
DESCRIPTION

FIG. 1 is a top front perspective view of the third rail bracket of the present design;
FIG. 2 is a top plan view thereof;
FIG. 3 is a left elevational view thereof;
FIG. 4 is a front elevational view thereof;
FIG. 5 is a right elevational view thereof;
FIG. 6 is a rear elevational view thereof;
FIG. 7 is a bottom plan view thereof;
FIG. 8 is a top left front perspective view thereof;
FIG. 9 is a bottom front perspective view thereof; and,
FIG. 10 is a bottom left front perspective view thereof.

1 Claim, 2 Drawing Sheets

(56) **References Cited**
U.S. PATENT DOCUMENTS

- 1,383,236 A * 6/1921 Rice B60M 1/307 174/156
- 1,837,096 A * 12/1931 Banks B60M 1/04 191/29 R
- D215,141 S * 9/1969 Harmsen D13/128
- 3,575,576 A * 4/1971 Harmsen B60M 1/04 191/32



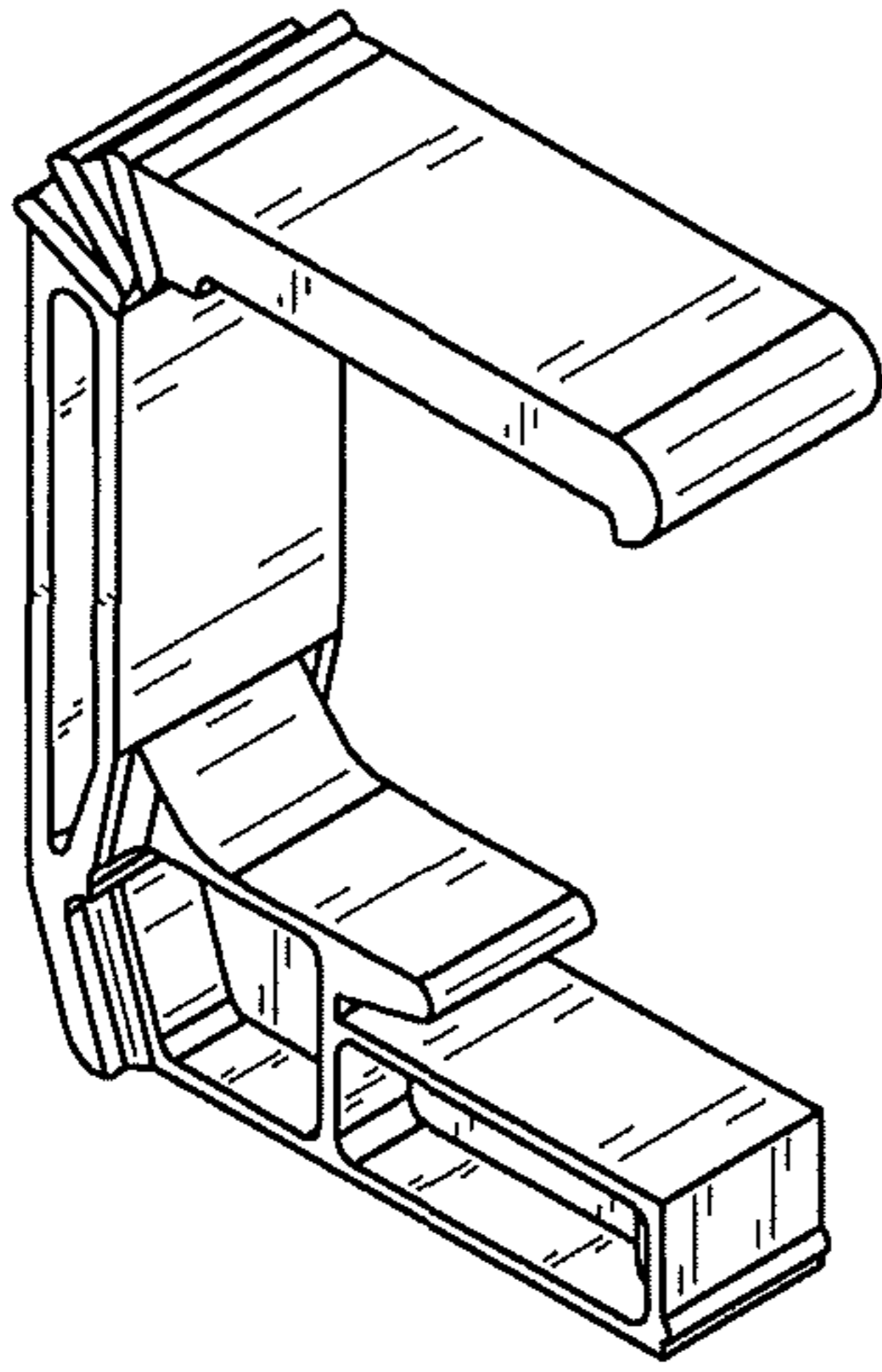


FIG. 1

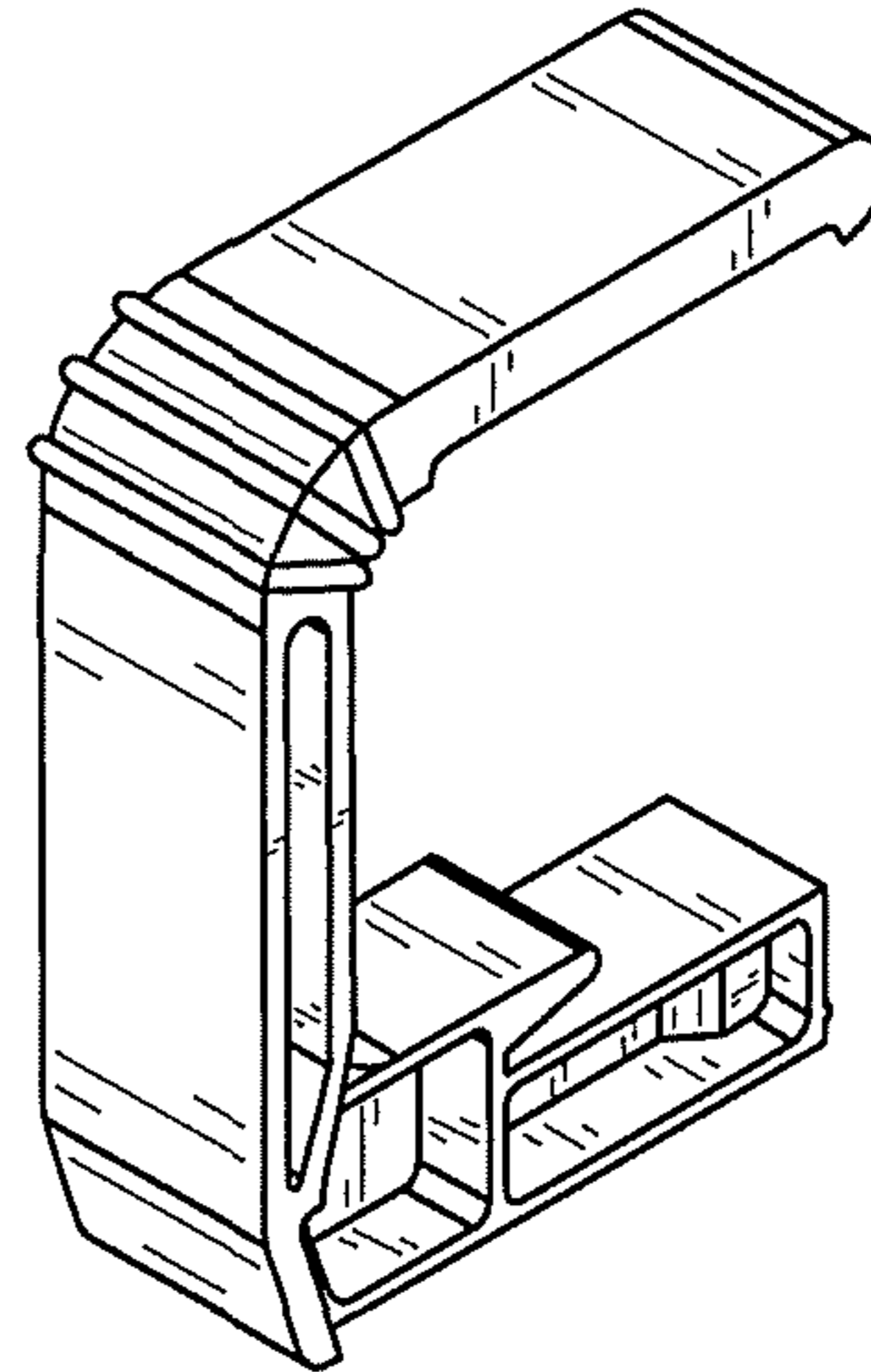


FIG. 8

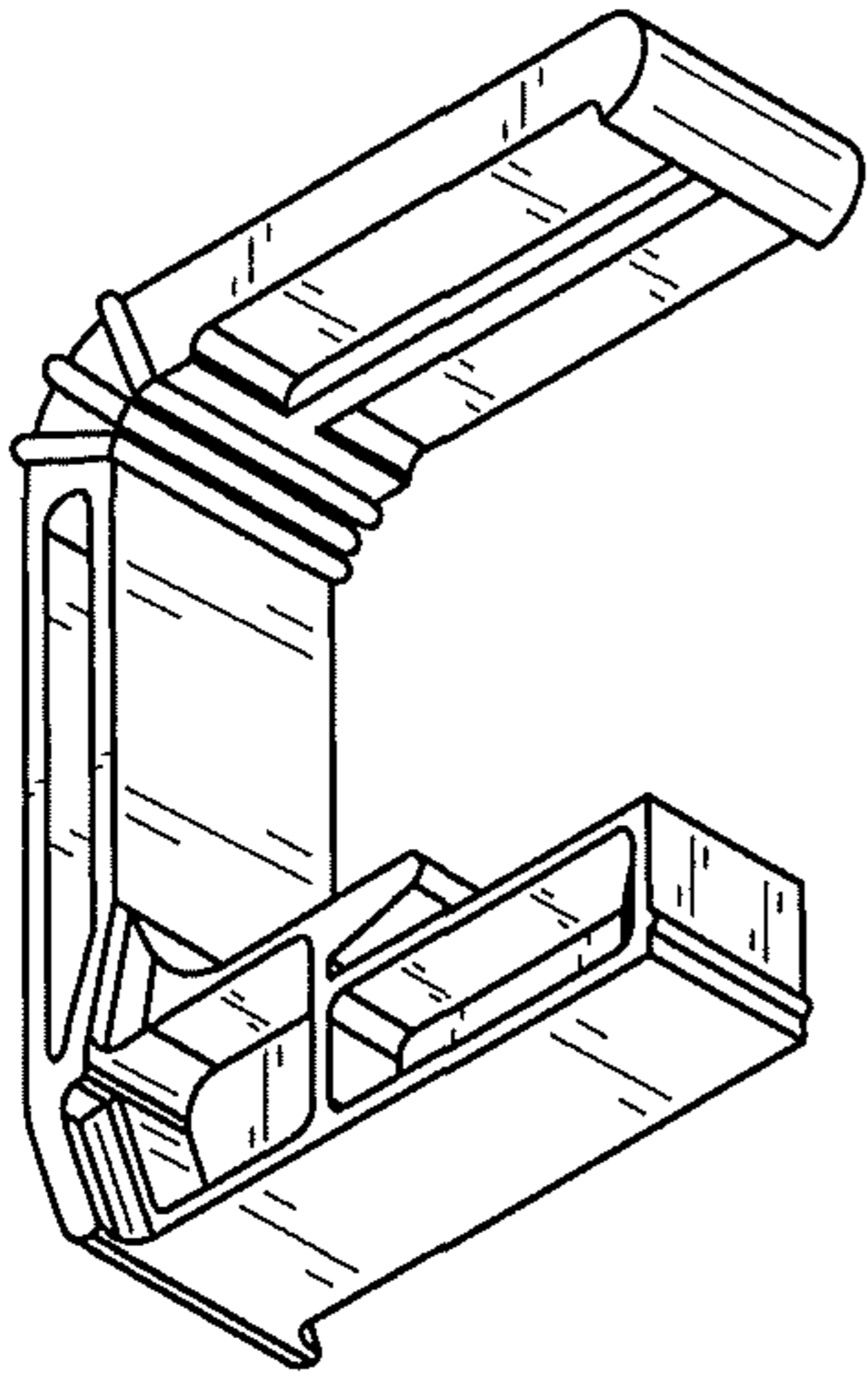


FIG. 9

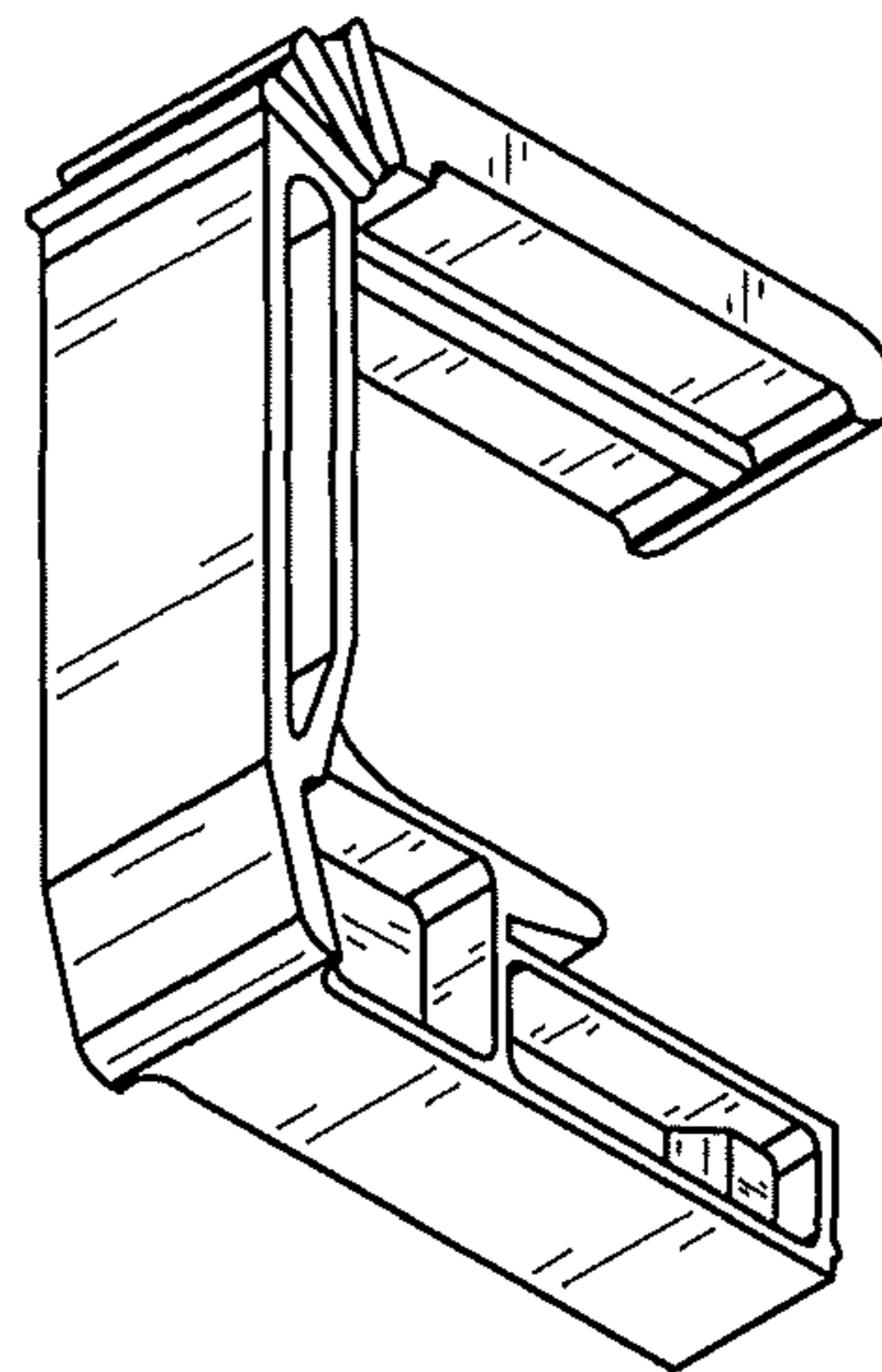


FIG. 10

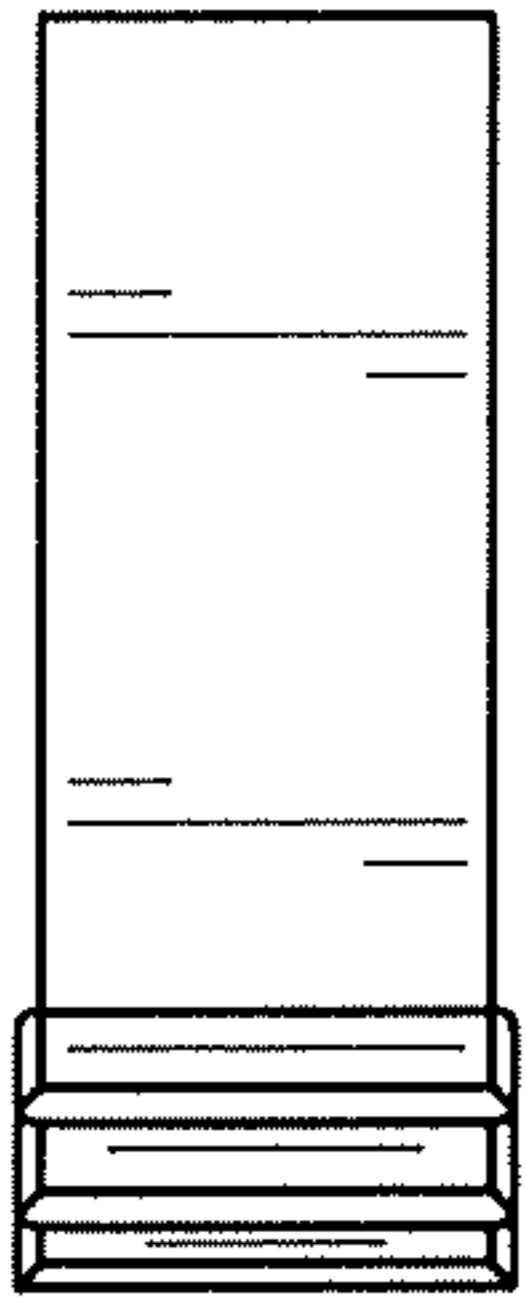


FIG. 2

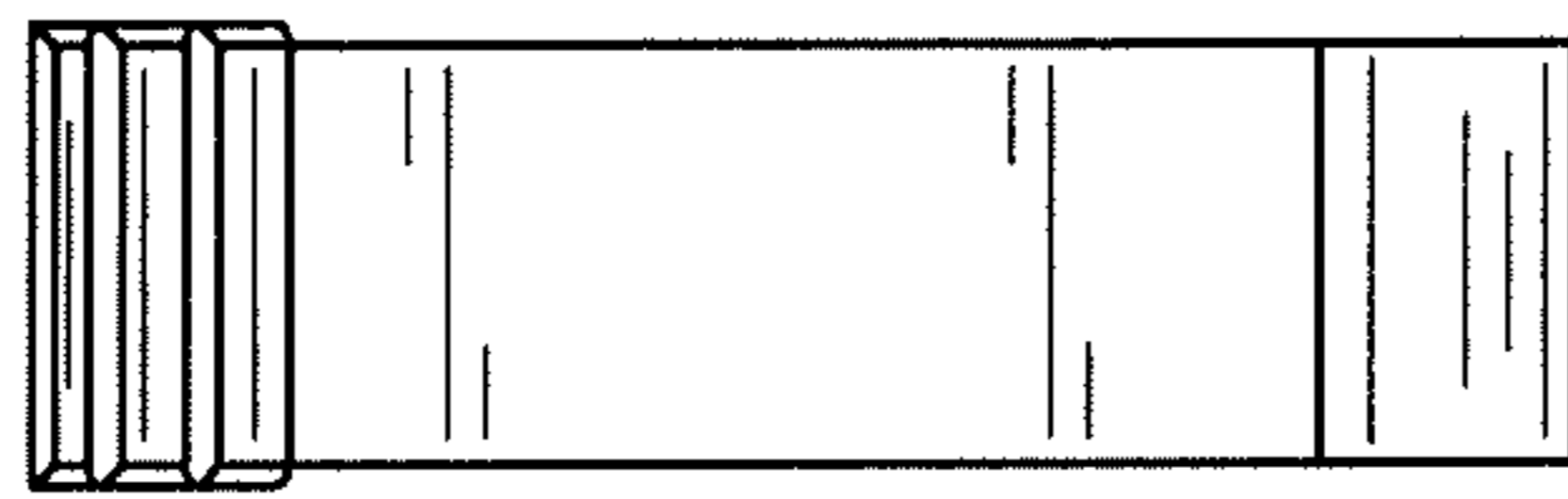


FIG. 3

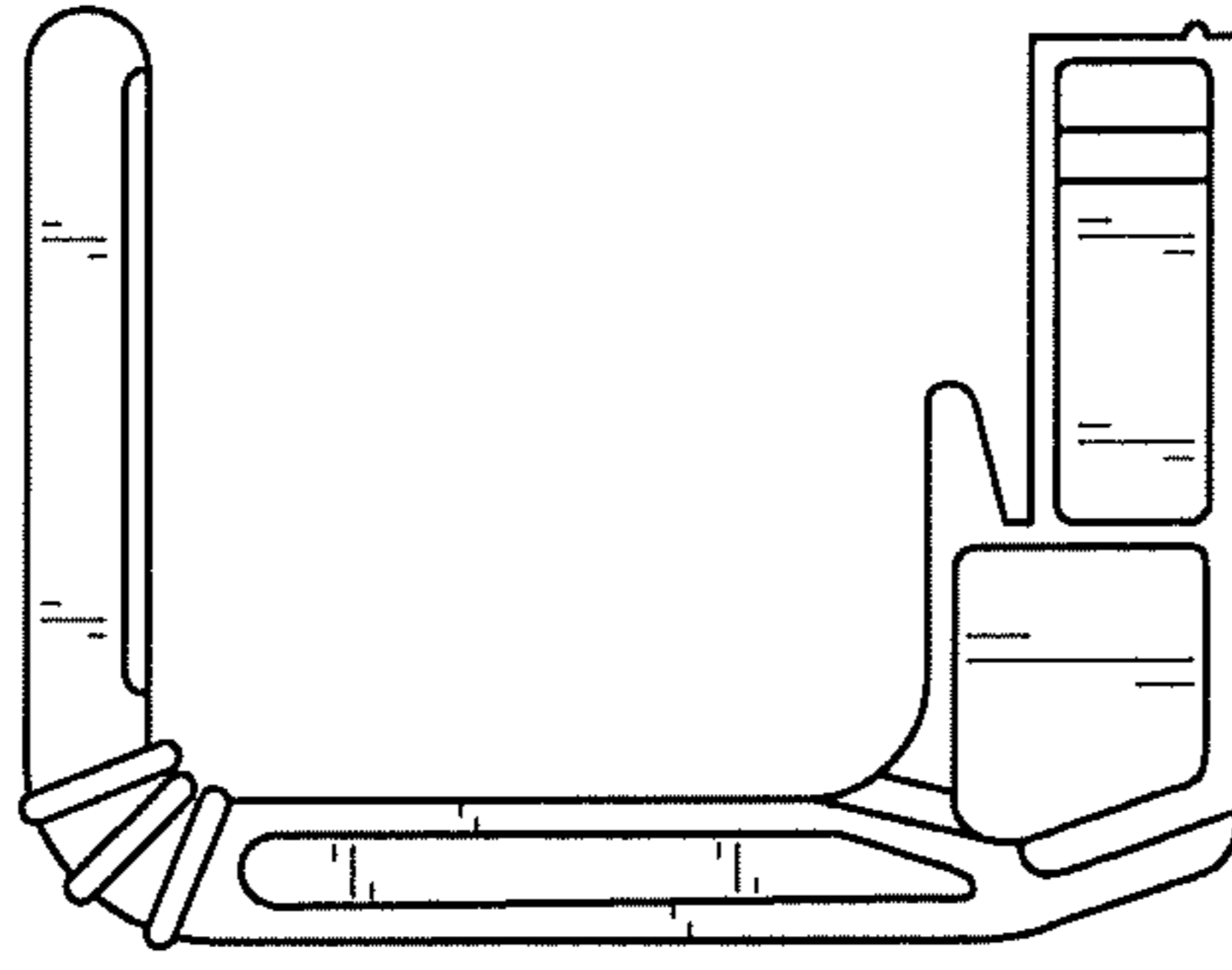


FIG. 4

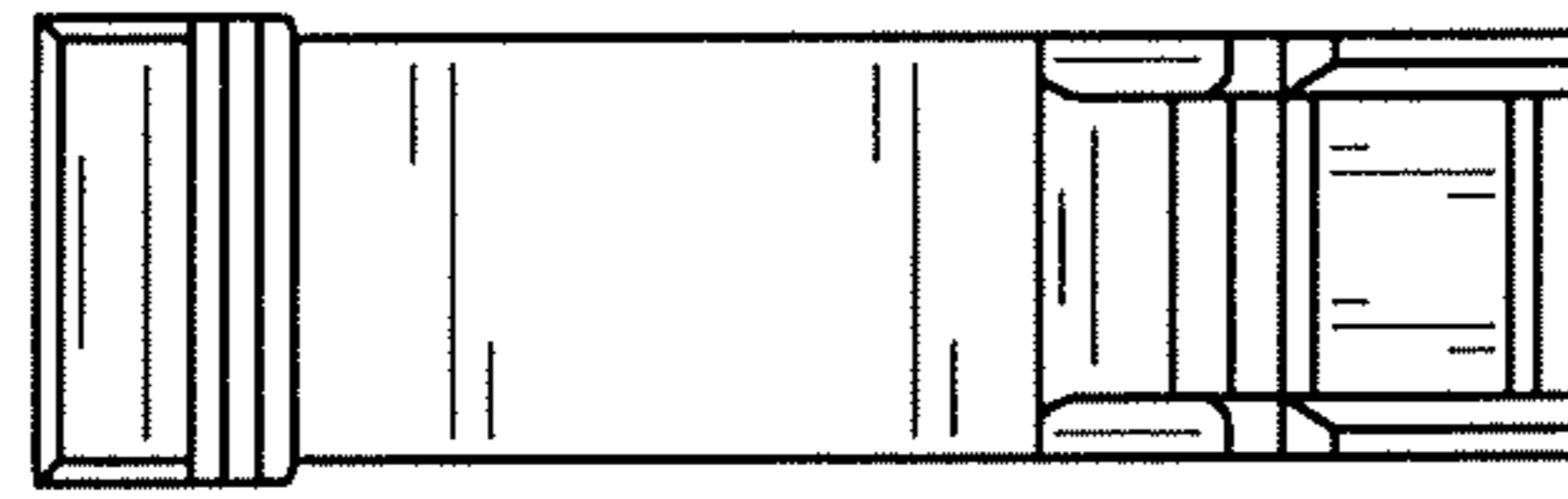


FIG. 5

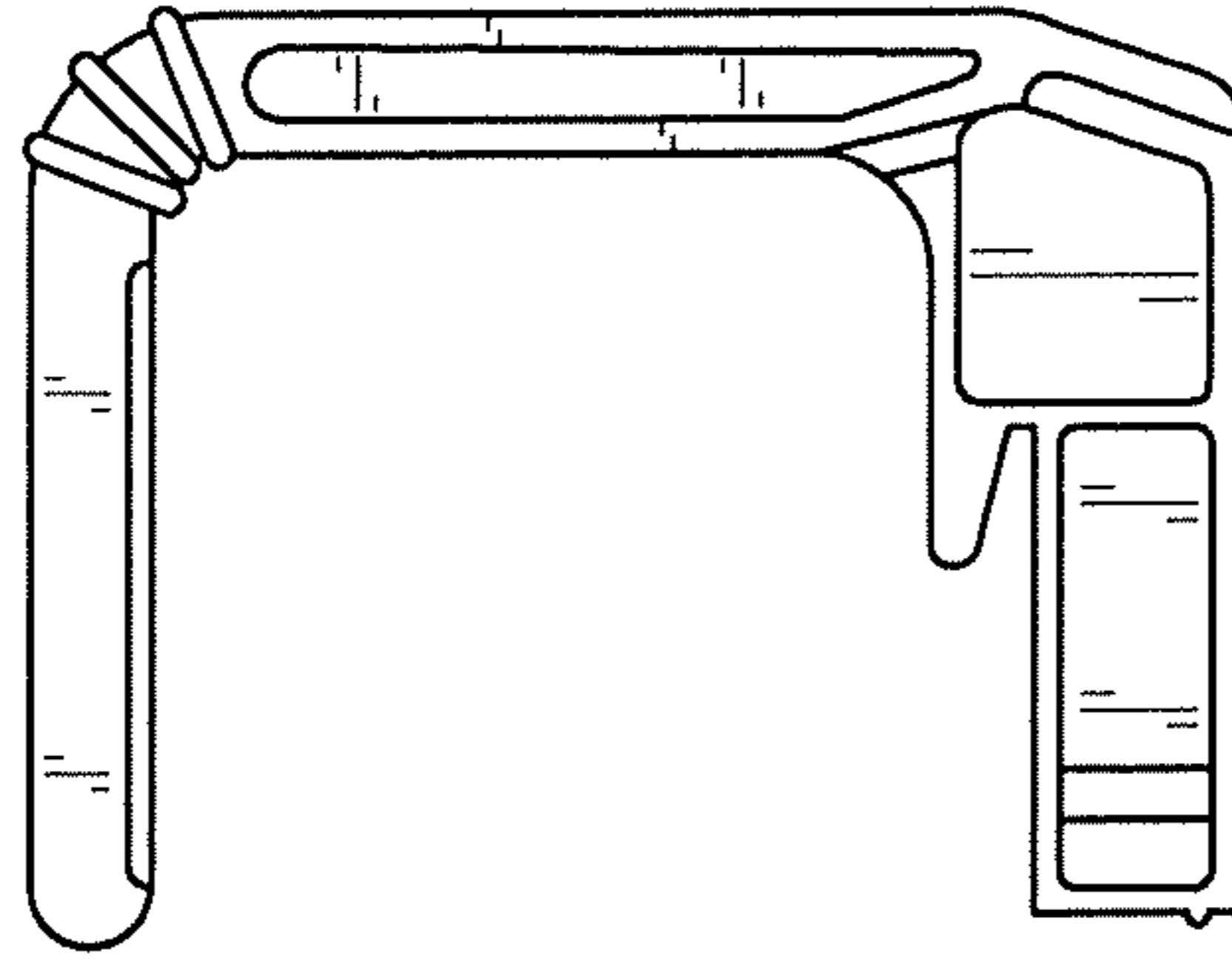


FIG. 6

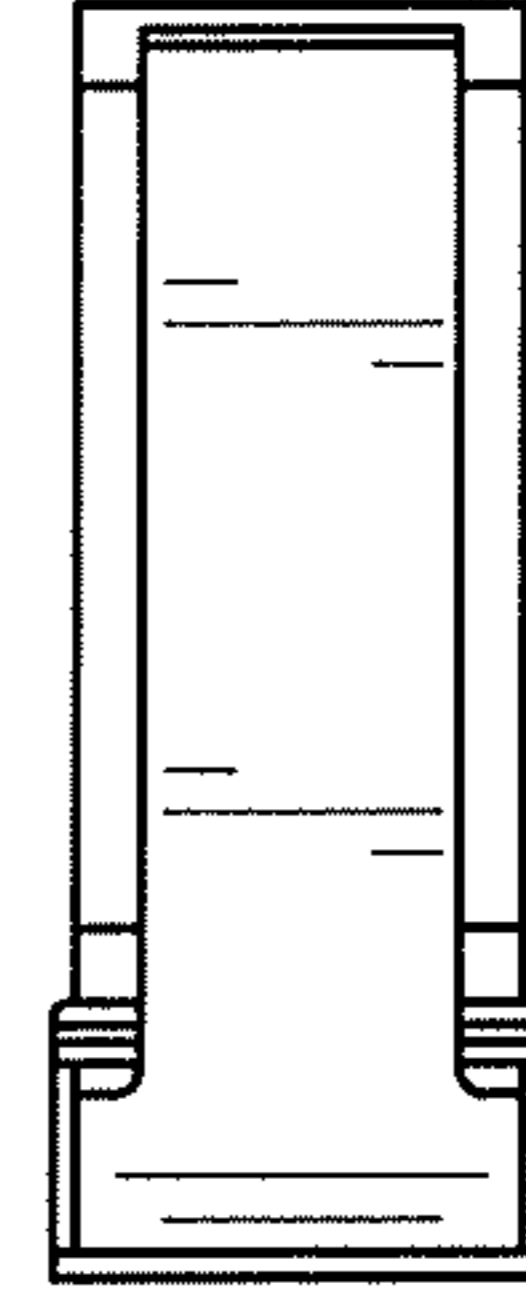


FIG. 7