



US00D816546S

(12) **United States Design Patent** (10) **Patent No.:** **US D816,546 S**
Wang (45) **Date of Patent:** **** May 1, 2018**

(54) **DRONE**
(71) Applicant: **Alex Wang**, Guangdong (CN)
(72) Inventor: **Alex Wang**, Guangdong (CN)
(**) Term: **15 Years**
(21) Appl. No.: **29/601,505**
(22) Filed: **Apr. 24, 2017**
(51) **LOC (11) Cl.** **12-07**
(52) **U.S. Cl.**
USPC **D12/16.1**
(58) **Field of Classification Search**
USPC D12/16.1, 319, 325, 326, 327, 328,
D12/329-345; D21/436, 441, 442, 443,
D21/444, 445-453
CPC B64C 39/024; B64C 2201/141; B64C
2201/00; B64C 2201/08
See application file for complete search history.

9,663,236 B1 * 5/2017 Shiosaki B64D 27/26
D795,967 S * 8/2017 Haley D12/16.1
D796,586 S * 9/2017 Chen D12/16.1
D798,221 S * 9/2017 Kaiser D12/325
D798,961 S * 10/2017 Li D21/441
9,783,294 B2 * 10/2017 Johannesson B64C 39/024
D803,328 S * 11/2017 Lee D21/441
9,845,165 B2 * 12/2017 Michalski B64F 1/36
2015/0175276 A1 * 6/2015 Koster B64F 1/32
244/114 R
2015/0246727 A1 * 9/2015 Masticola B64C 39/024
701/2
2016/0016664 A1 * 1/2016 Basuni B64C 39/024
244/17.13
2016/0144982 A1 * 5/2016 Sugumaran B64C 25/32
244/103 R
2016/0179096 A1 * 6/2016 Bradlow B64C 19/00
701/8

(Continued)

Primary Examiner — Brandon M Rosati

Assistant Examiner — Marissa J Cash

(57) **CLAIM**

The ornamental design for a drone, as shown and described.

DESCRIPTION

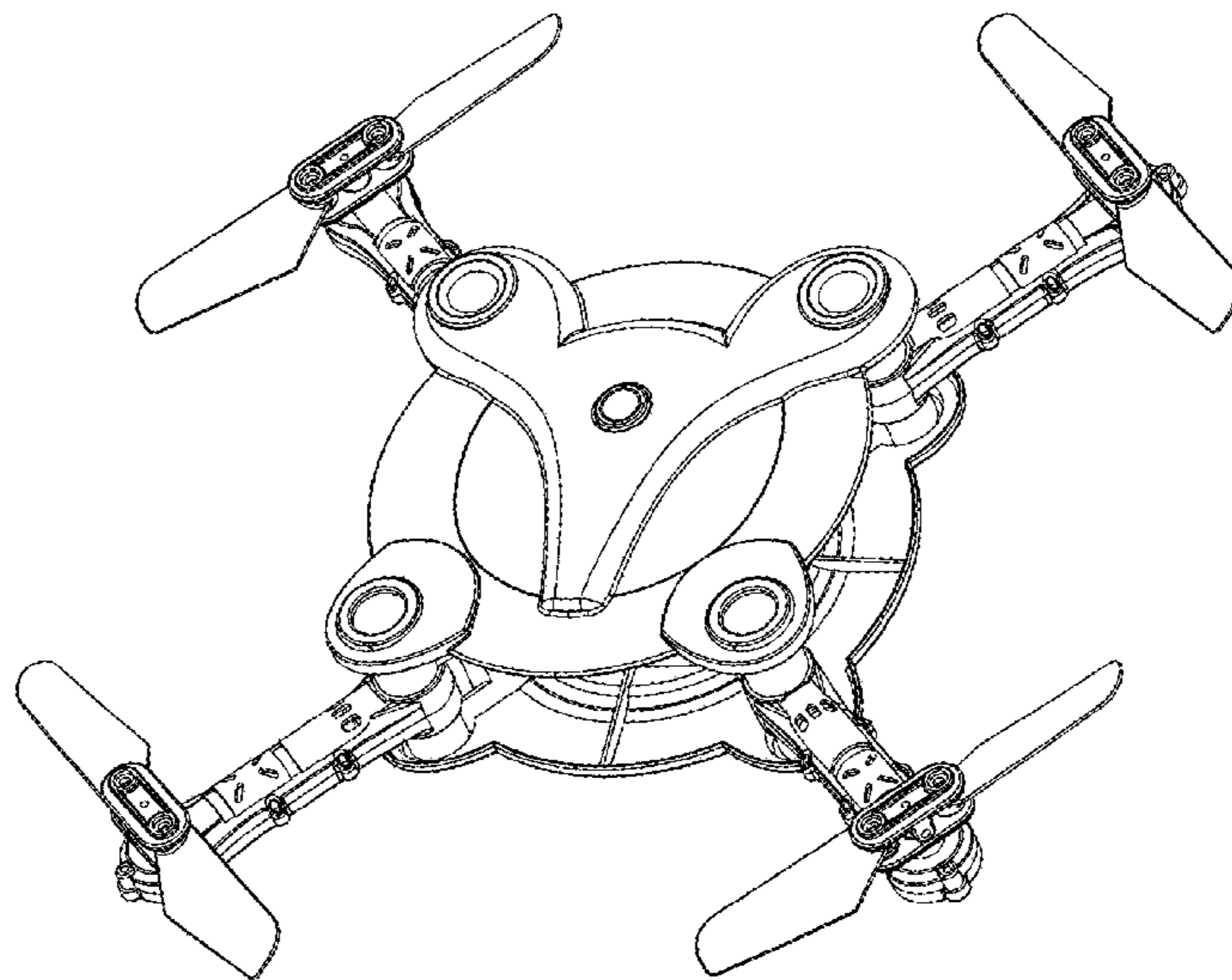
FIG. 1 is a front elevational view of a drone showing my new design;
FIG. 2 is a rear elevational view thereof;
FIG. 3 is a left side view thereof;
FIG. 4 is a right side view thereof;
FIG. 5 is a top plan view thereof;
FIG. 6 is a bottom plan view thereof;
FIG. 7 is a perspective view thereof;
FIG. 8 is another perspective view thereof;
FIG. 9 is a front elevational view in a folded state, shown in an enlarged scale; and,
FIG. 10 is a perspective view in a folded state thereof, shown in an enlarged scale.

1 Claim, 8 Drawing Sheets

(56) **References Cited**

U.S. PATENT DOCUMENTS

D465,196 S * 11/2002 Dammar D12/328
D628,658 S * 12/2010 Wurm D21/442
D691,514 S * 10/2013 Wang D12/16.1
9,061,763 B1 * 6/2015 Christensen A63H 17/28
D759,764 S * 6/2016 Lai D12/16.1
D760,624 S * 7/2016 Balaresque D12/16.1
D760,848 S * 7/2016 McKenna D12/16.1
D763,134 S * 8/2016 Wang D12/16.1
D768,539 S * 10/2016 Lee D12/16.1
D768,789 S * 10/2016 Fargeau D12/16.1
D772,991 S * 11/2016 Caubel D12/16.1
D782,365 S * 3/2017 Hung D12/16.1
D782,366 S * 3/2017 Xiao D12/16.1
D784,854 S * 4/2017 Huang D12/16.1
9,612,599 B2 * 4/2017 Bradlow G05D 1/0661
D785,541 S * 5/2017 Du D12/328
9,650,132 B2 * 5/2017 Fengler B64C 27/08



(56)

References Cited

U.S. PATENT DOCUMENTS

2016/0214713 A1* 7/2016 Cragg B64C 39/024
2016/0336020 A1* 11/2016 Bradlow G01S 19/49
2016/0337562 A1* 11/2016 Kang H04N 5/2254
2016/0340028 A1* 11/2016 Datta B64C 39/024
2016/0362173 A1* 12/2016 Marion B64C 39/024
2016/0376031 A1* 12/2016 Michalski B64F 1/36
701/15
2017/0050749 A1* 2/2017 Pilskalns B64F 1/362
2017/0123417 A1* 5/2017 Gil G05D 1/0038
2017/0126935 A1* 5/2017 Tai H04N 5/2252
2017/0133771 A1* 5/2017 Xiao H01R 4/38
2017/0144756 A1* 5/2017 Rastgaar Aagaah .. B64C 39/024
2017/0158320 A1* 6/2017 Bosch B64C 27/52
2017/0166308 A1* 6/2017 Desrochers B64D 1/08
2017/0197703 A1* 7/2017 Wood B64C 11/46
2017/0197718 A1* 7/2017 Buchmueller B64D 1/22
2017/0203851 A1* 7/2017 Liu A63H 27/12
2017/0221395 A1* 8/2017 Benatar G09F 13/0409
2017/0225792 A1* 8/2017 Wang B64D 17/70
2017/0269609 A1* 9/2017 Bradlow G05D 1/102
2017/0283050 A1* 10/2017 Baek B64C 27/08
2017/0313416 A1* 11/2017 Mishra B64C 39/024
2017/0327224 A1* 11/2017 Phan B64C 39/024
2017/0329324 A1* 11/2017 Bachrach G01C 21/165
2017/0344000 A1* 11/2017 Krishnamoorthy .. G05D 1/0011

* cited by examiner

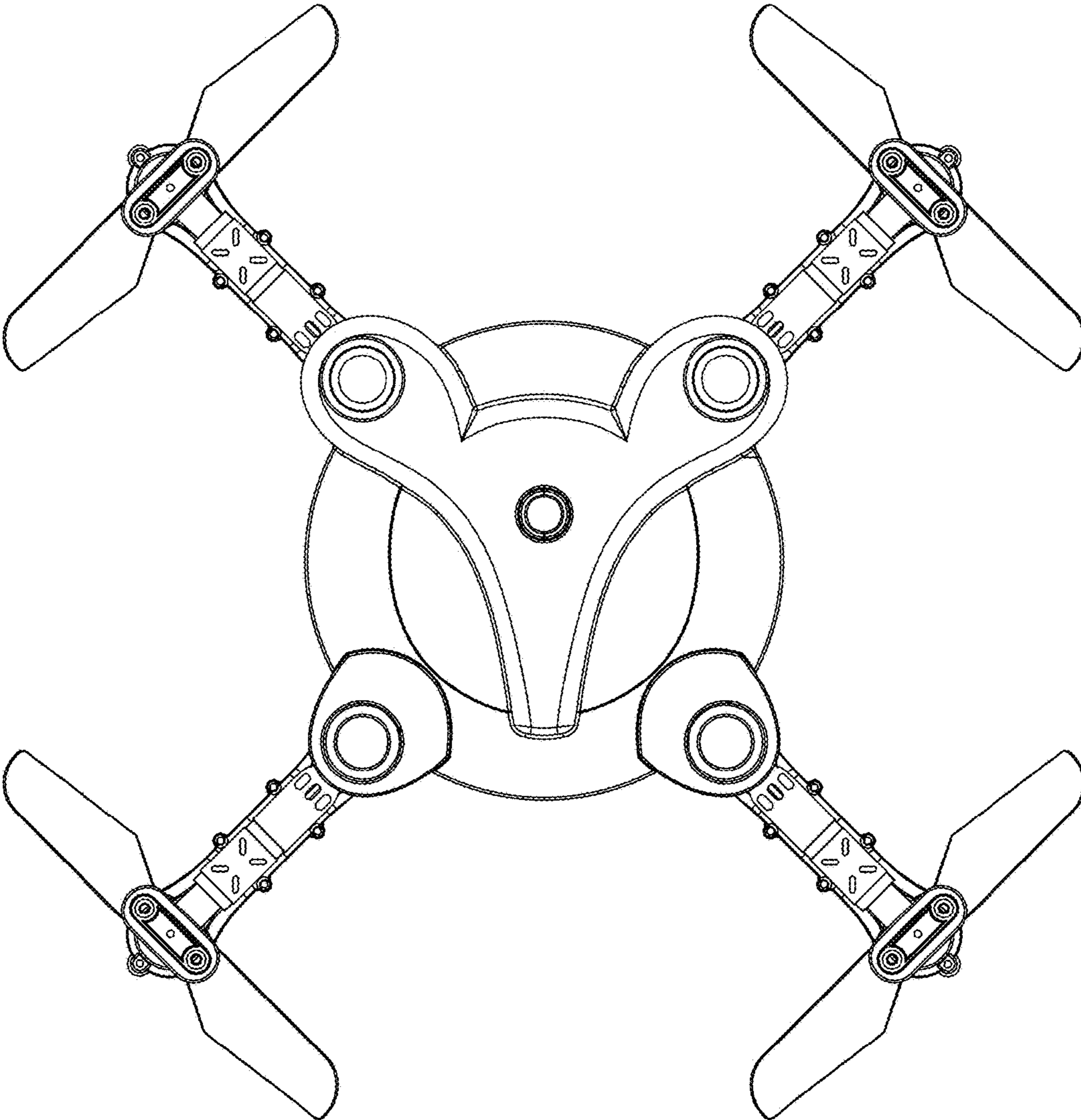


FIG. 1

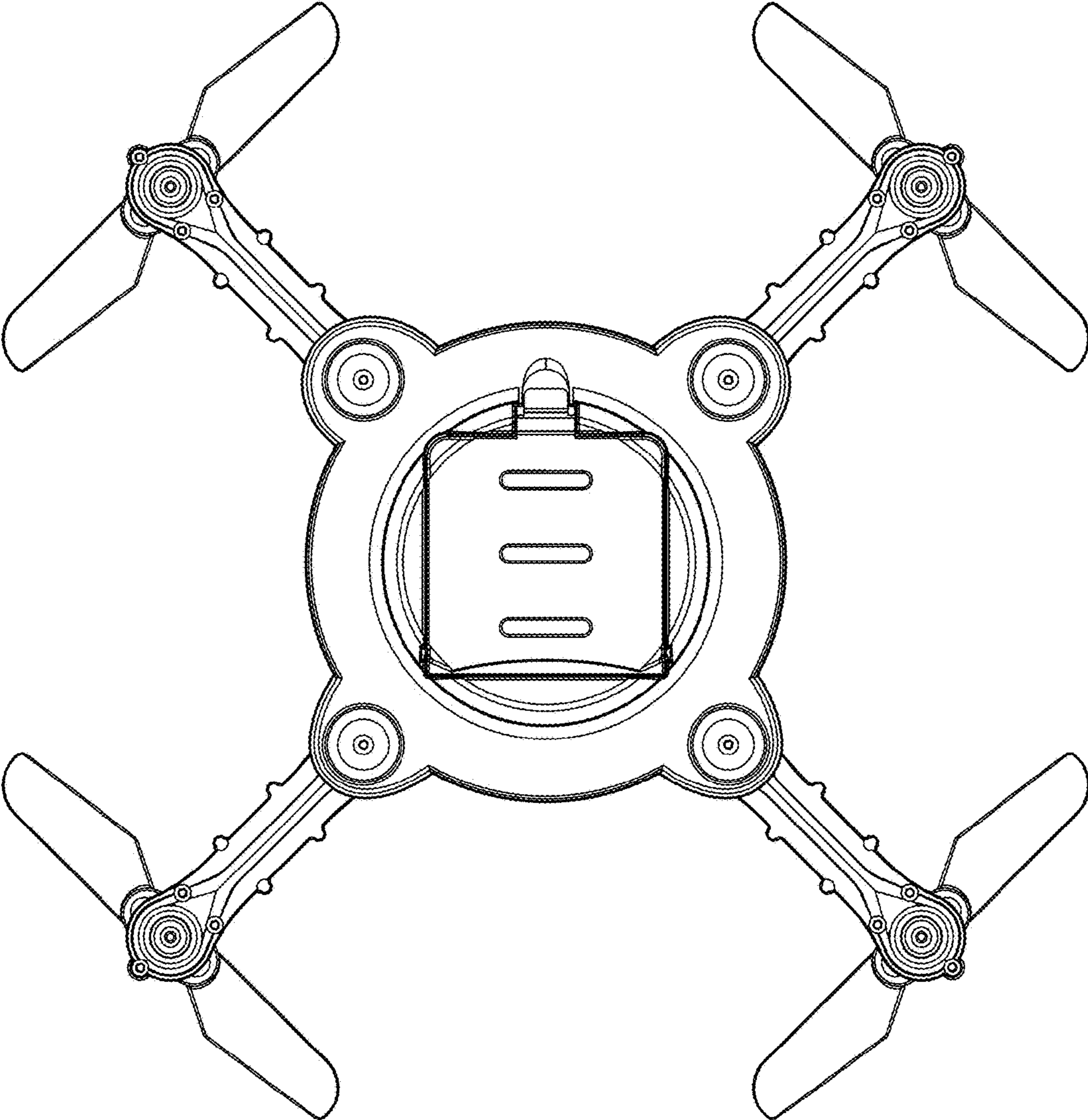


FIG. 2

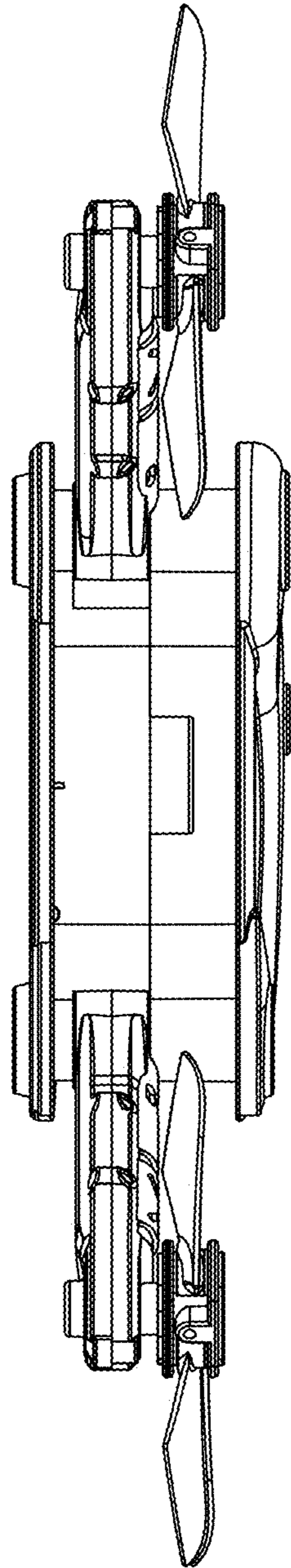


FIG. 3

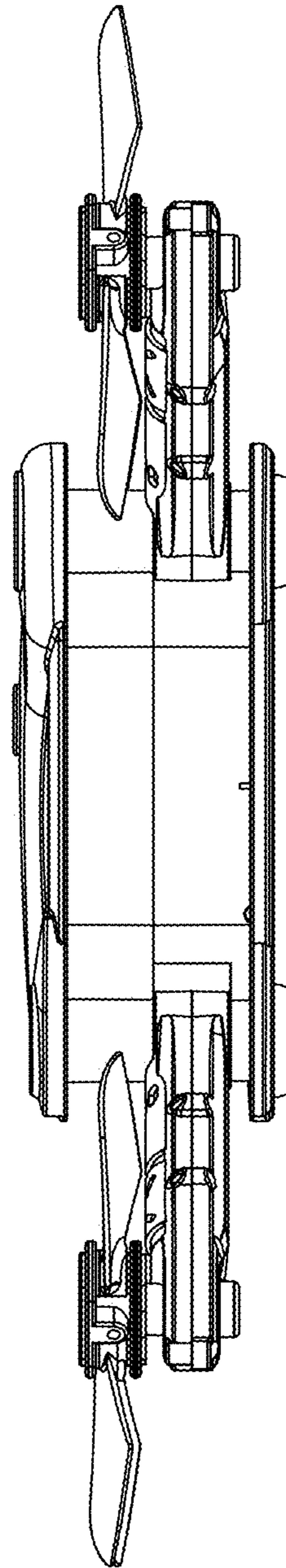


FIG. 4

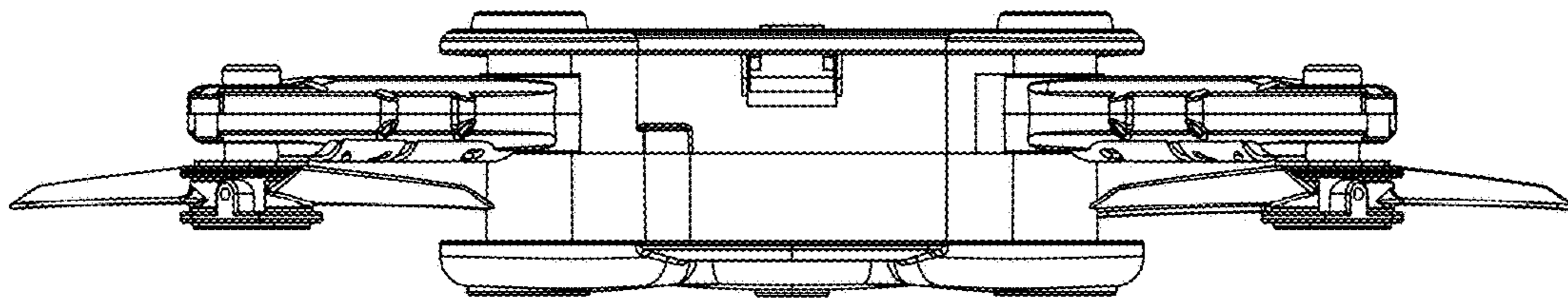


FIG. 5

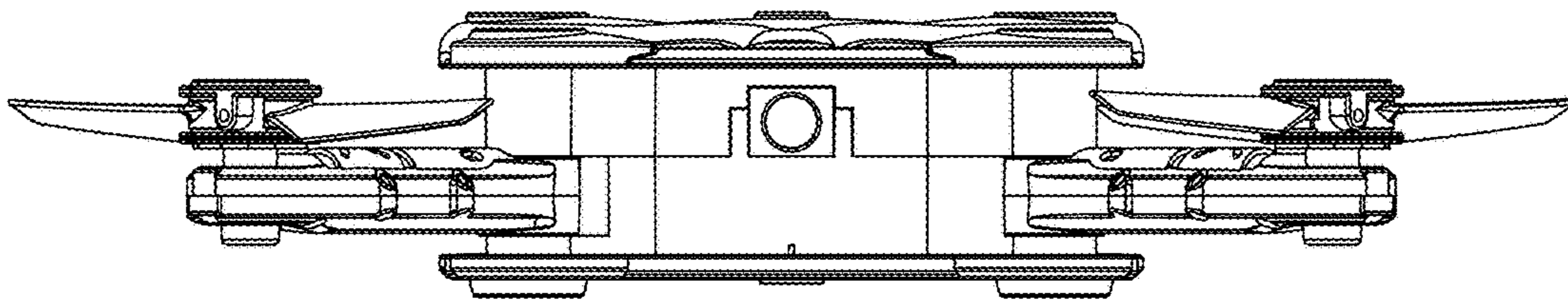


FIG. 6

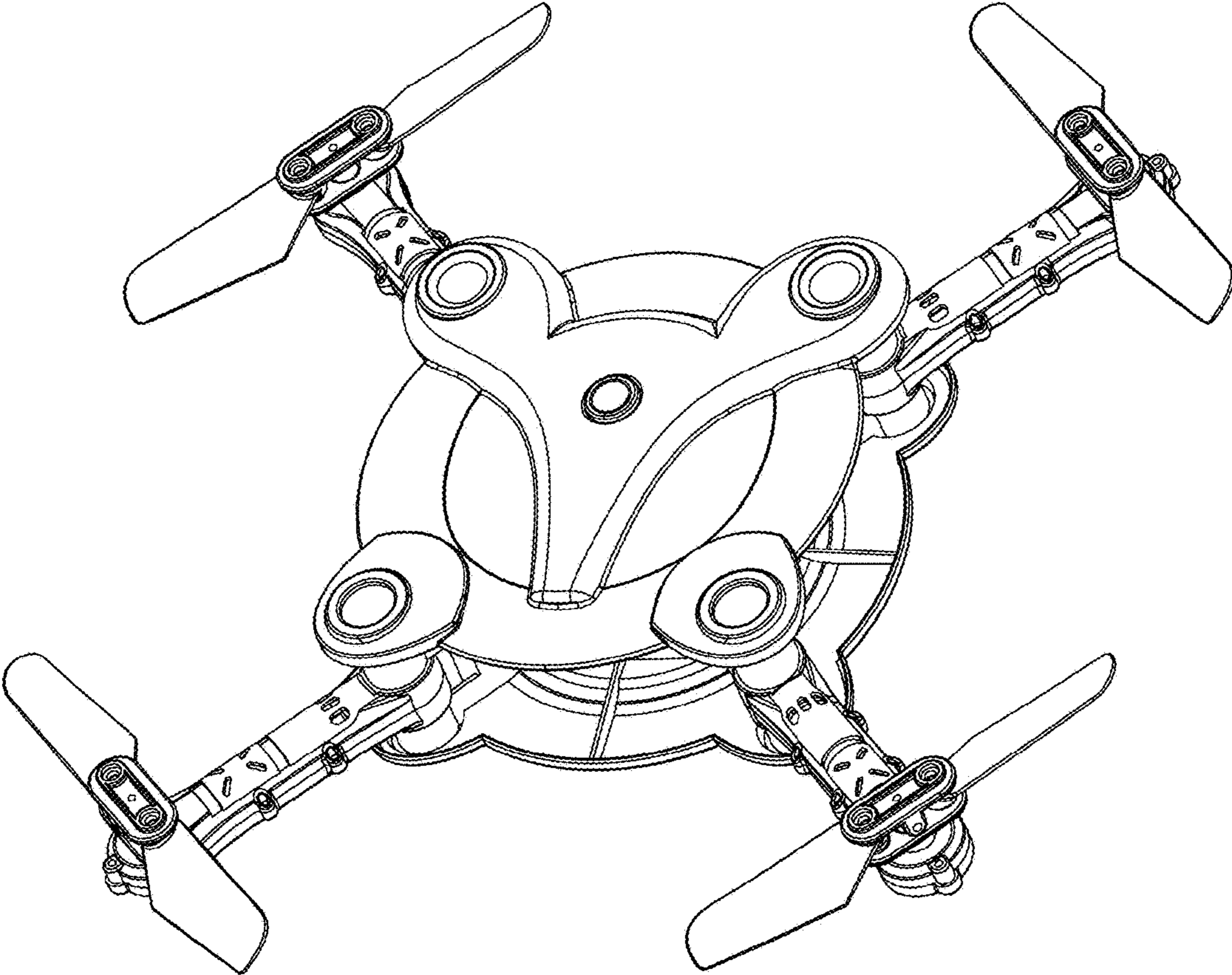


FIG. 7

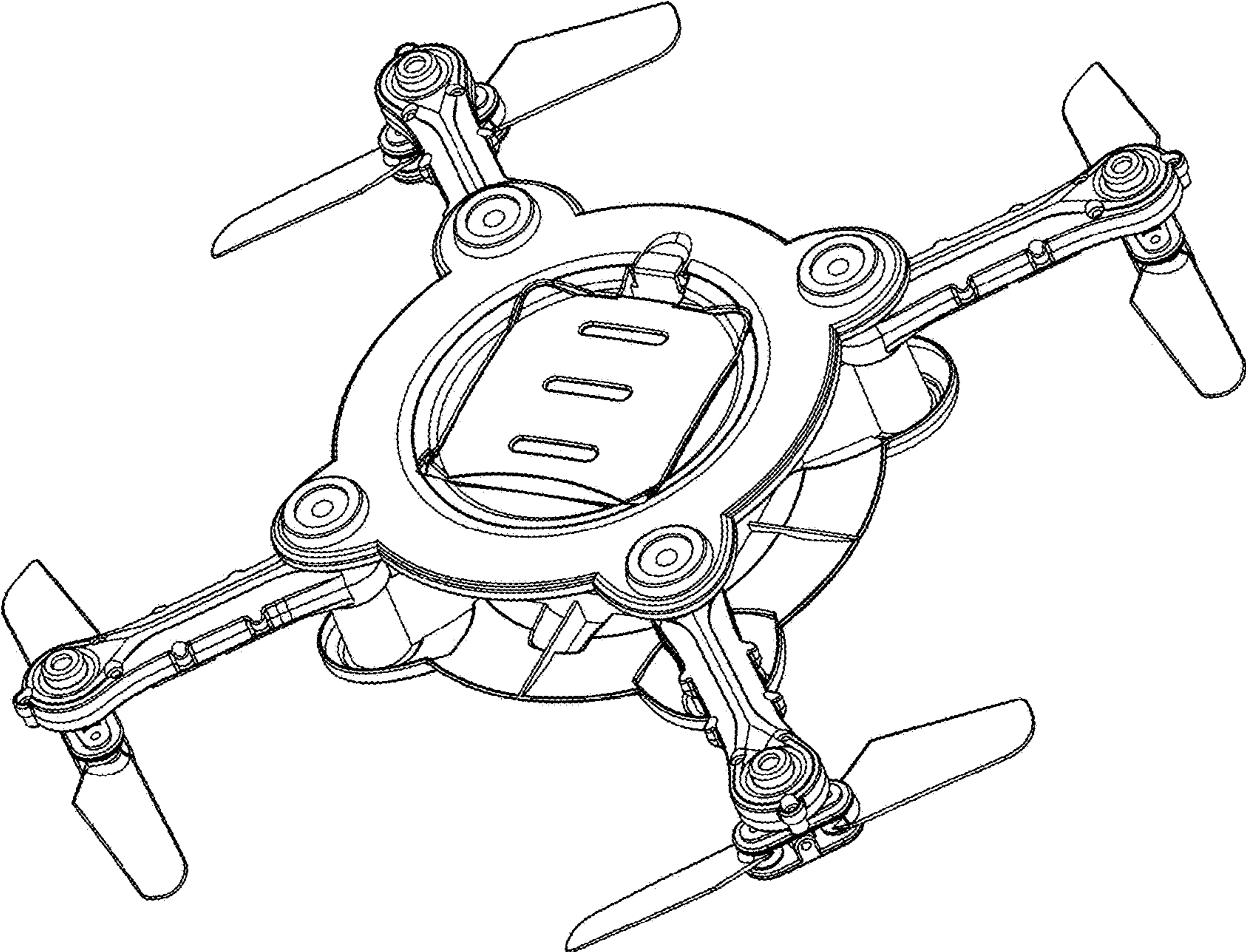


FIG. 8

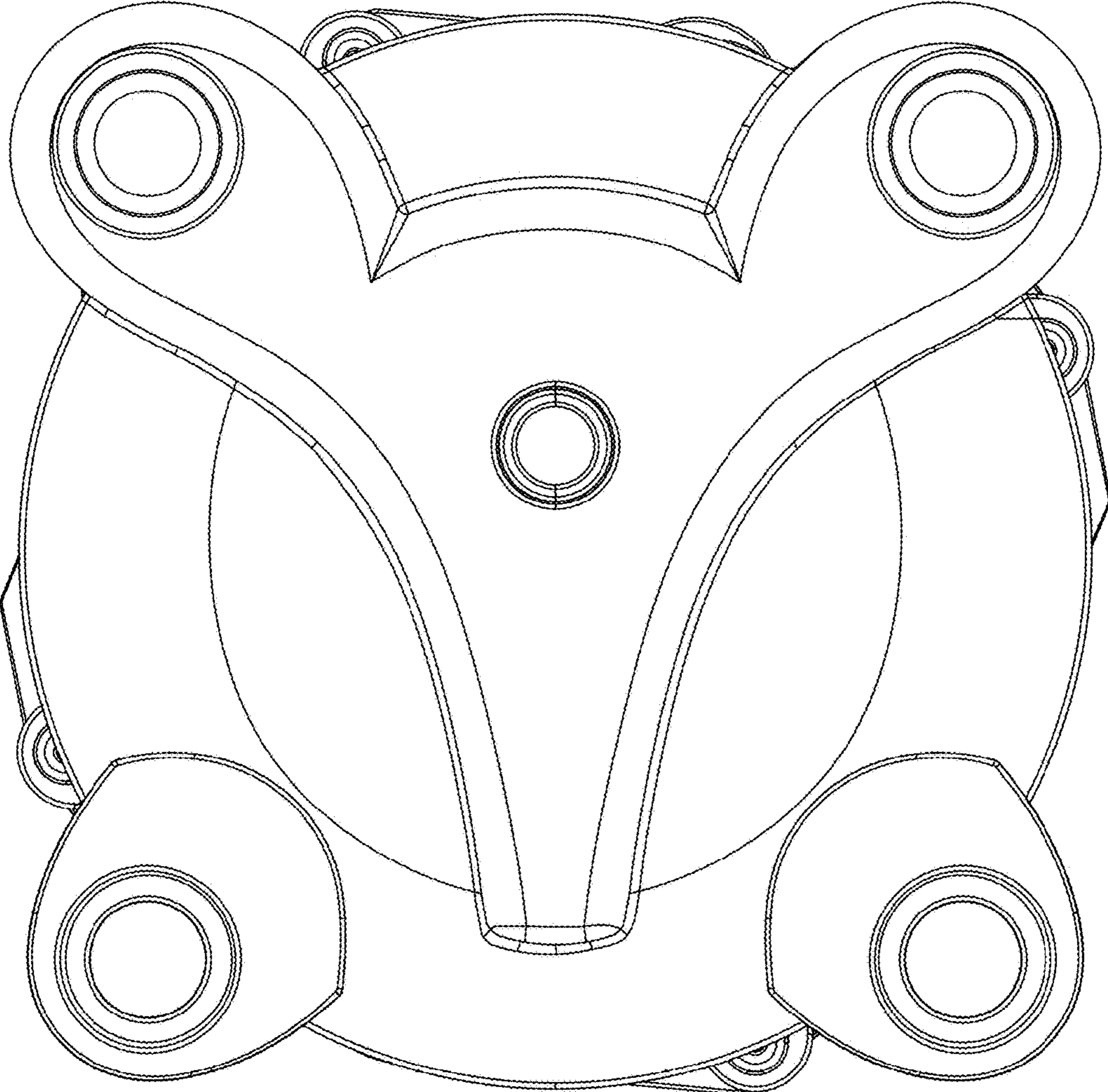


FIG. 9

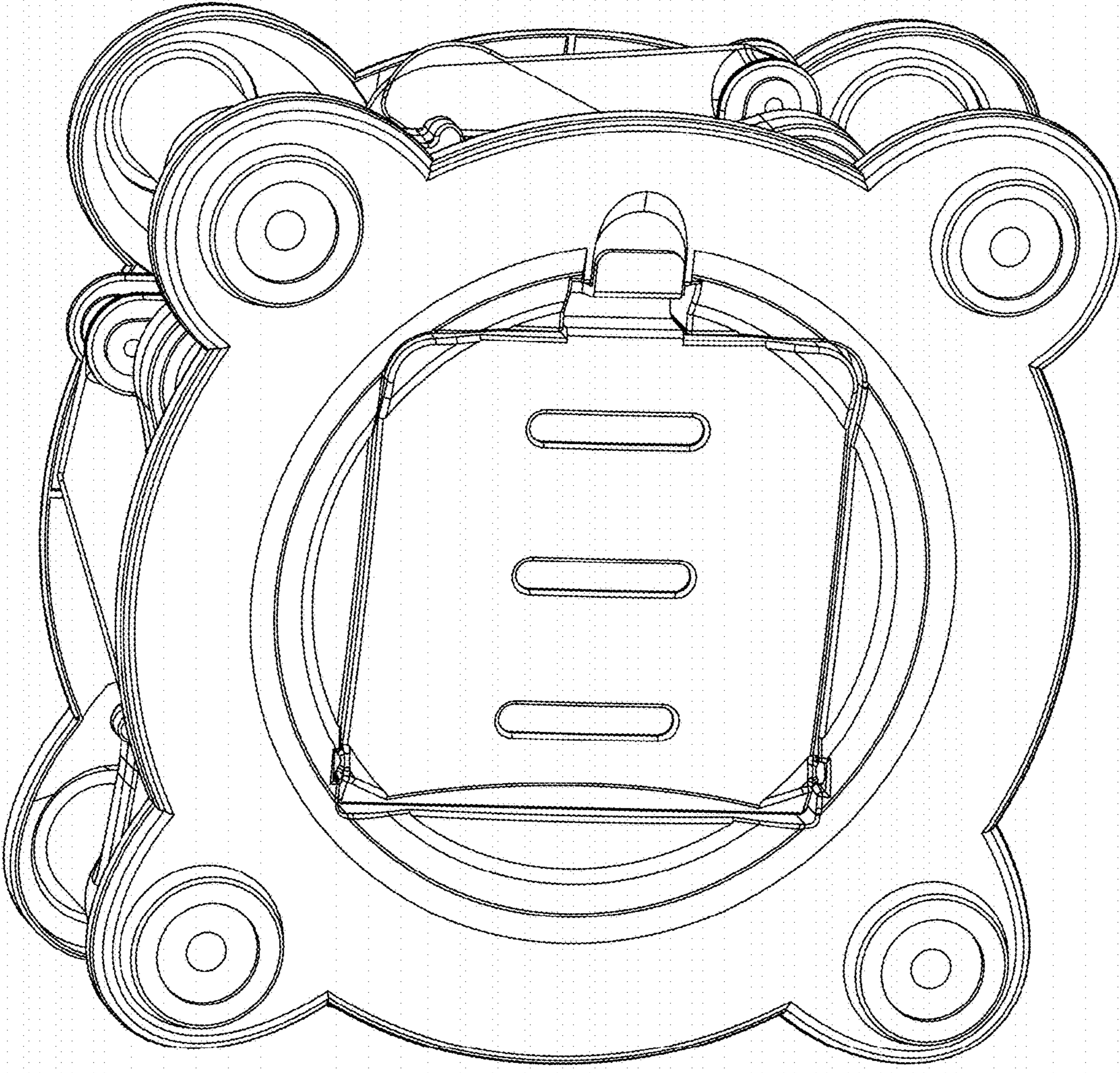


FIG. 10