



US00D816543S

(12) **United States Design Patent**  
**Henz**

(10) **Patent No.:** **US D816,543 S**

(45) **Date of Patent:** **\*\* May 1, 2018**

- (54) **UPRIGHT TREE SKIRT**
- (71) Applicant: **Dyno Seasonal Solutions LLC**,  
Pompano Beach, FL (US)
- (72) Inventor: **Margaret M. Henz**, Evanston, IL (US)
- (73) Assignee: **Dyno Seasonal Solutions LLC**,  
Pompano Beach, FL (US)
- (\*\*) Term: **14 Years**
- (21) Appl. No.: **29/523,816**
- (22) Filed: **Apr. 14, 2015**
- (51) **LOC (11) Cl.** ..... **11-05**
- (52) **U.S. Cl.**  
USPC ..... **D11/130**
- (58) **Field of Classification Search**  
USPC ..... D11/117, 130, 130.1  
CPC ..... A47G 33/00; A47G 33/045; A47G 33/12;  
A47G 2033/1266  
See application file for complete search history.

(56) **References Cited**

**U.S. PATENT DOCUMENTS**

- 104,418 A \* 6/1870 Brunson ..... A01G 13/105  
114/220
- 633,528 A \* 9/1899 Morris ..... A01G 13/043  
135/115
- 1,853,164 A \* 4/1932 Block ..... A47G 33/12  
248/524
- 2,111,844 A \* 3/1938 Davidson ..... F21V 1/00  
362/351
- 2,233,832 A \* 3/1941 Byrd ..... A01G 13/105  
43/107
- 2,519,678 A \* 8/1950 Mackenzie ..... A01D 46/26  
56/329
- 2,868,255 A \* 1/1959 Fancher ..... A47G 33/045  
206/423

- D188,192 S \* 6/1960 Riveras ..... D11/130
- 3,036,554 A \* 5/1962 Johnson ..... A61D 9/00  
119/815
- 3,727,347 A \* 4/1973 Barnes ..... E01C 9/005  
428/17
- 3,750,731 A \* 8/1973 Brimmell ..... A47G 33/045  
206/423
- D229,758 S \* 1/1974 Bartel ..... D11/130
- 4,200,057 A \* 4/1980 Agar ..... A01K 15/006  
119/815
- D280,979 S \* 10/1985 Groth ..... 428/131
- 4,581,277 A \* 4/1986 Neale ..... A47G 33/045  
2/211
- D295,491 S \* 5/1988 Drumheller ..... D8/1
- 4,799,520 A \* 1/1989 Blackburn ..... A47G 33/045  
206/423
- 4,932,157 A \* 6/1990 Shimp ..... A01G 13/0237  
47/32
- 5,012,764 A \* 5/1991 Fick ..... A01K 13/006  
119/821

(Continued)

*Primary Examiner* — Elizabeth J Oswecki  
(74) *Attorney, Agent, or Firm* — Greenberg Traurig, LLP;  
David J. Dykeman; Joshua M. Herman

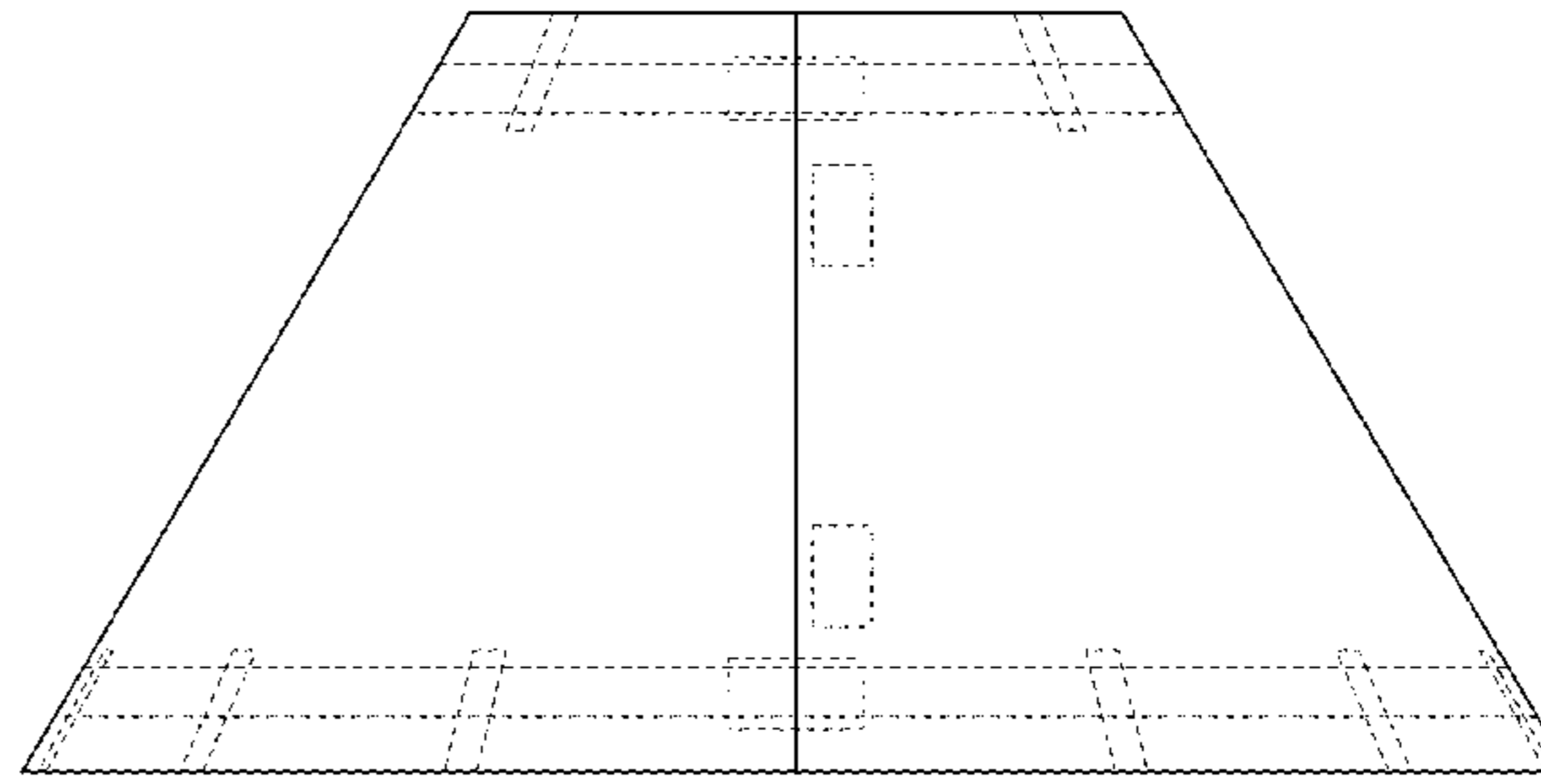
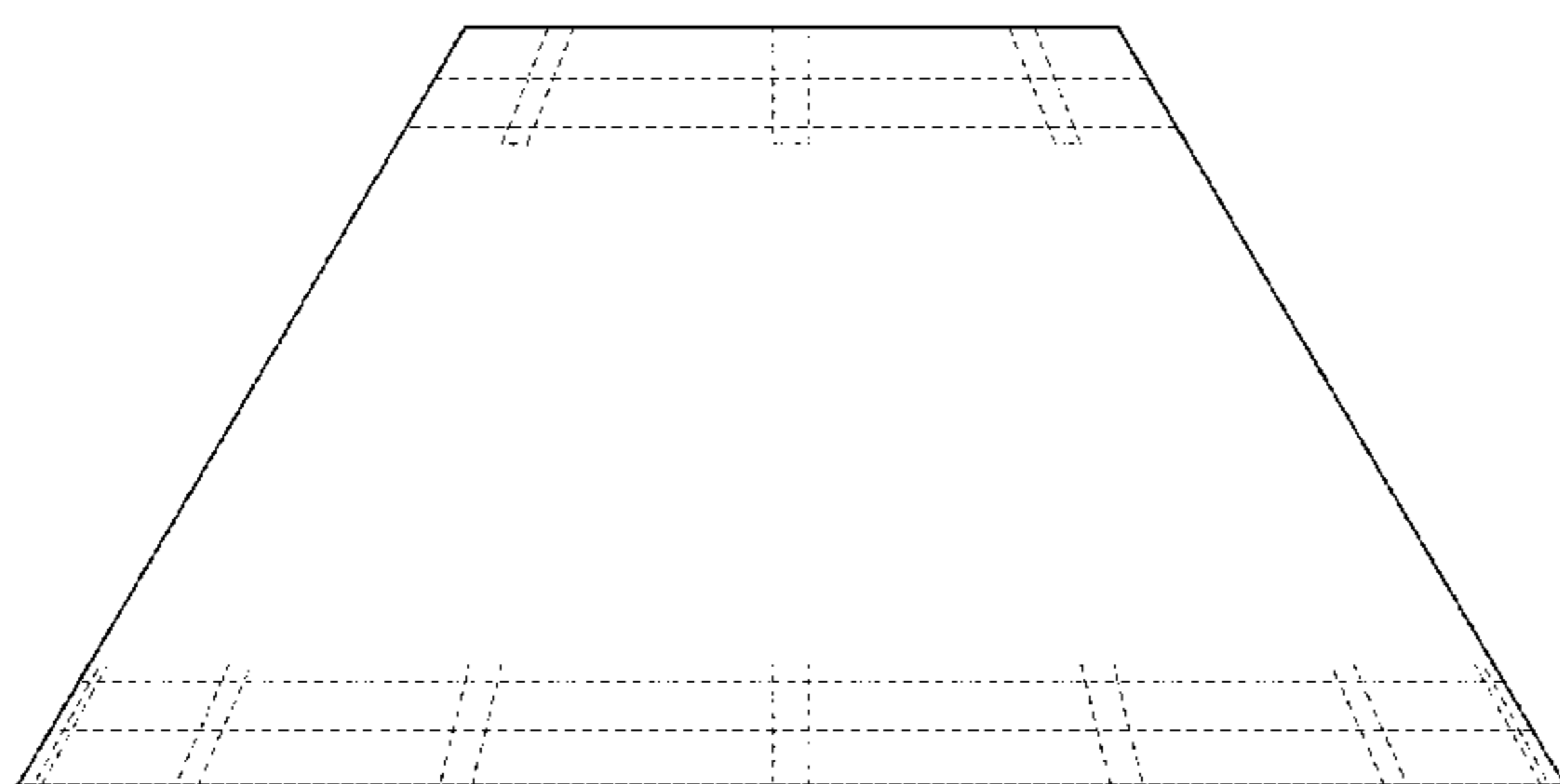
(57) **CLAIM**

The ornamental design for an upright tree skirt, as shown and described.

**DESCRIPTION**

FIG. 1 is a front view of an upright tree skirt showing my new design;  
FIG. 2 is a rear view thereof;  
FIG. 3 is a top view thereof;  
FIG. 4 is a bottom view thereof;  
FIG. 5 is a right side view thereof; and,  
FIG. 6 is a left side view thereof.  
The broken lines shown in the drawings represent portions of the tree skirt that form no part of the claimed design.

**1 Claim, 4 Drawing Sheets**



(56)

References Cited

U.S. PATENT DOCUMENTS

5,058,317 A \* 10/1991 McMurtrey ..... A01G 13/0281  
 428/136  
 5,249,772 A \* 10/1993 Montie, Jr. .... A47G 33/12  
 248/516  
 D346,344 S \* 4/1994 Vincent ..... D11/130  
 5,349,927 A \* 9/1994 Campbell ..... A01K 13/006  
 119/815  
 5,396,731 A \* 3/1995 Byrne ..... A01G 13/0281  
 47/32  
 5,486,400 A \* 1/1996 Fishel ..... A47G 33/045  
 428/116  
 5,497,972 A \* 3/1996 Sofy ..... A47F 5/04  
 248/523  
 D371,755 S \* 7/1996 Ditullo ..... D11/130  
 D373,327 S \* 9/1996 Rush ..... D11/130.1  
 5,593,743 A \* 1/1997 Baker ..... A47G 33/04  
 150/154  
 5,642,687 A \* 7/1997 Nysten ..... A01K 39/0113  
 119/52.3  
 D406,080 S \* 2/1999 Marr ..... D11/130  
 D409,339 S \* 5/1999 Silano ..... D13/118  
 5,943,836 A \* 8/1999 Kassardjian ..... E04C 5/161  
 248/523  
 D419,042 S \* 1/2000 Price ..... D8/1

D419,716 S \* 1/2000 Parrochia ..... D26/118  
 6,098,348 A \* 8/2000 Weaver ..... A01K 39/0113  
 119/52.3  
 D436,929 S \* 1/2001 Kane ..... D13/156  
 D437,194 S \* 2/2001 Rivas ..... D8/1  
 D440,833 S \* 4/2001 Tanner ..... D8/1  
 D475,817 S \* 6/2003 Heyek ..... D1/118  
 6,705,044 B2 \* 3/2004 Clancey ..... A01G 13/0281  
 47/31.1  
 D497,831 S \* 11/2004 Anderson ..... D11/130  
 D535,822 S \* 1/2007 Smith ..... D3/304  
 D538,641 S \* 3/2007 Limber  
 D549,097 S \* 8/2007 Limber  
 D552,911 S \* 10/2007 Henning ..... D6/592  
 7,765,957 B2 \* 8/2010 Behravesh ..... A01K 13/006  
 119/815  
 D632,851 S \* 2/2011 Maroney ..... D30/145  
 D705,502 S \* 5/2014 Markfield ..... D30/145  
 8,734,928 B1 \* 5/2014 Lavigna ..... F24C 1/10  
 150/154  
 D723,417 S \* 3/2015 Walter ..... D11/130  
 D737,171 S \* 8/2015 Walter ..... D11/130  
 D757,372 S \* 5/2016 Clinton ..... D30/121  
 D760,115 S \* 6/2016 Zhao ..... D11/130  
 D760,116 S \* 6/2016 Zhao ..... D11/130  
 D765,542 S \* 9/2016 Aello Garcia ..... D11/130

\* cited by examiner

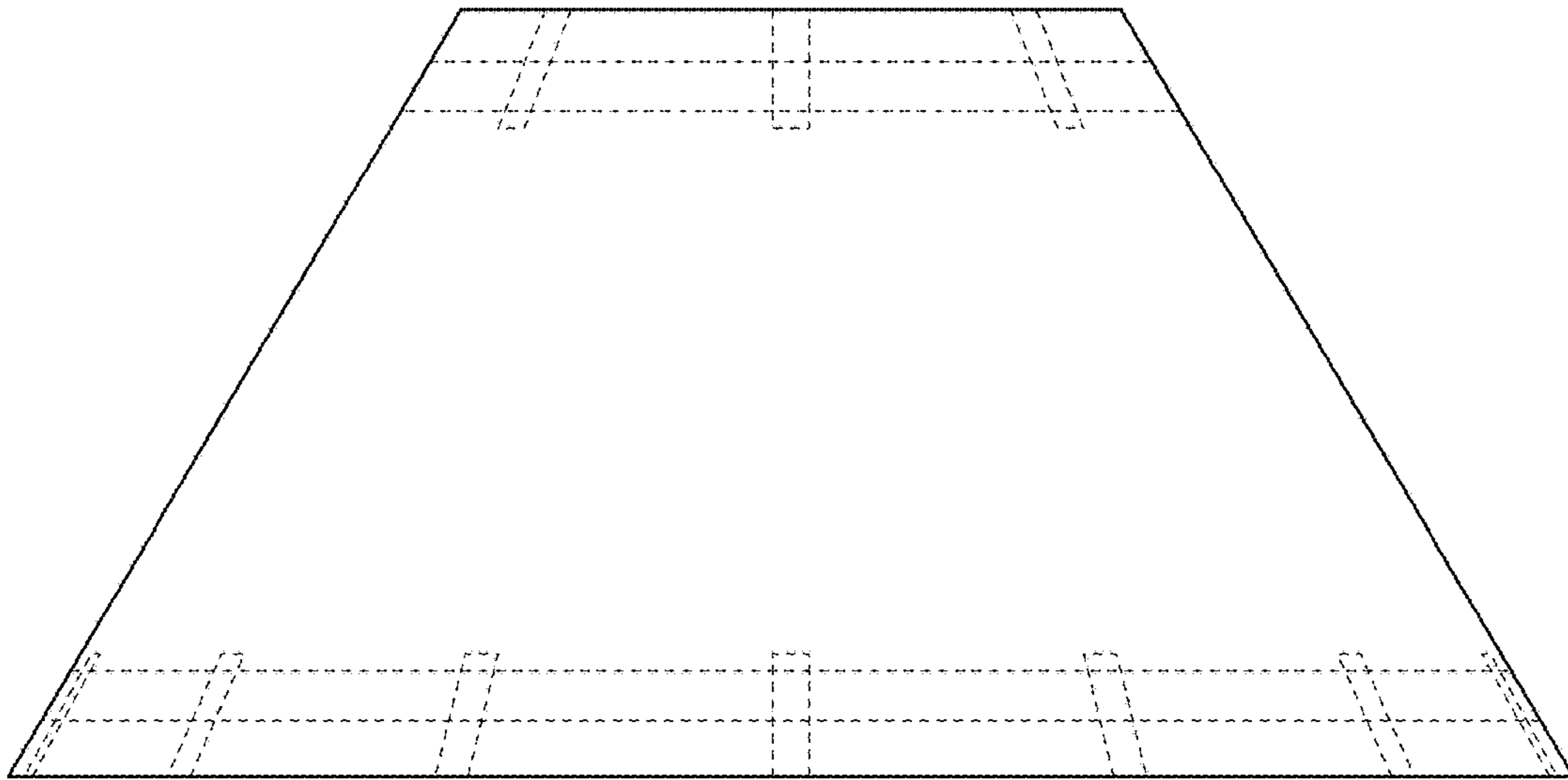


FIG. 1

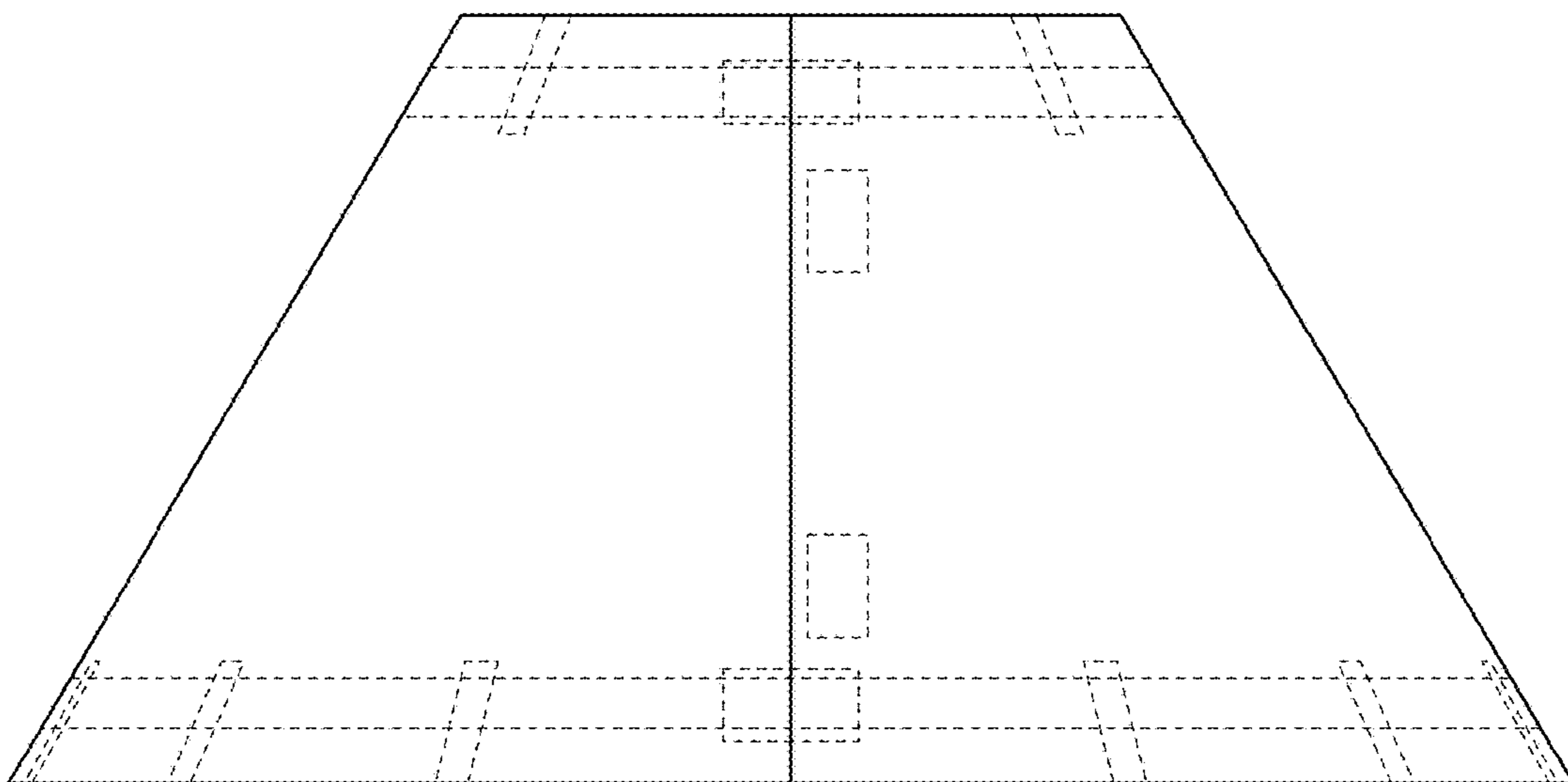


FIG. 2

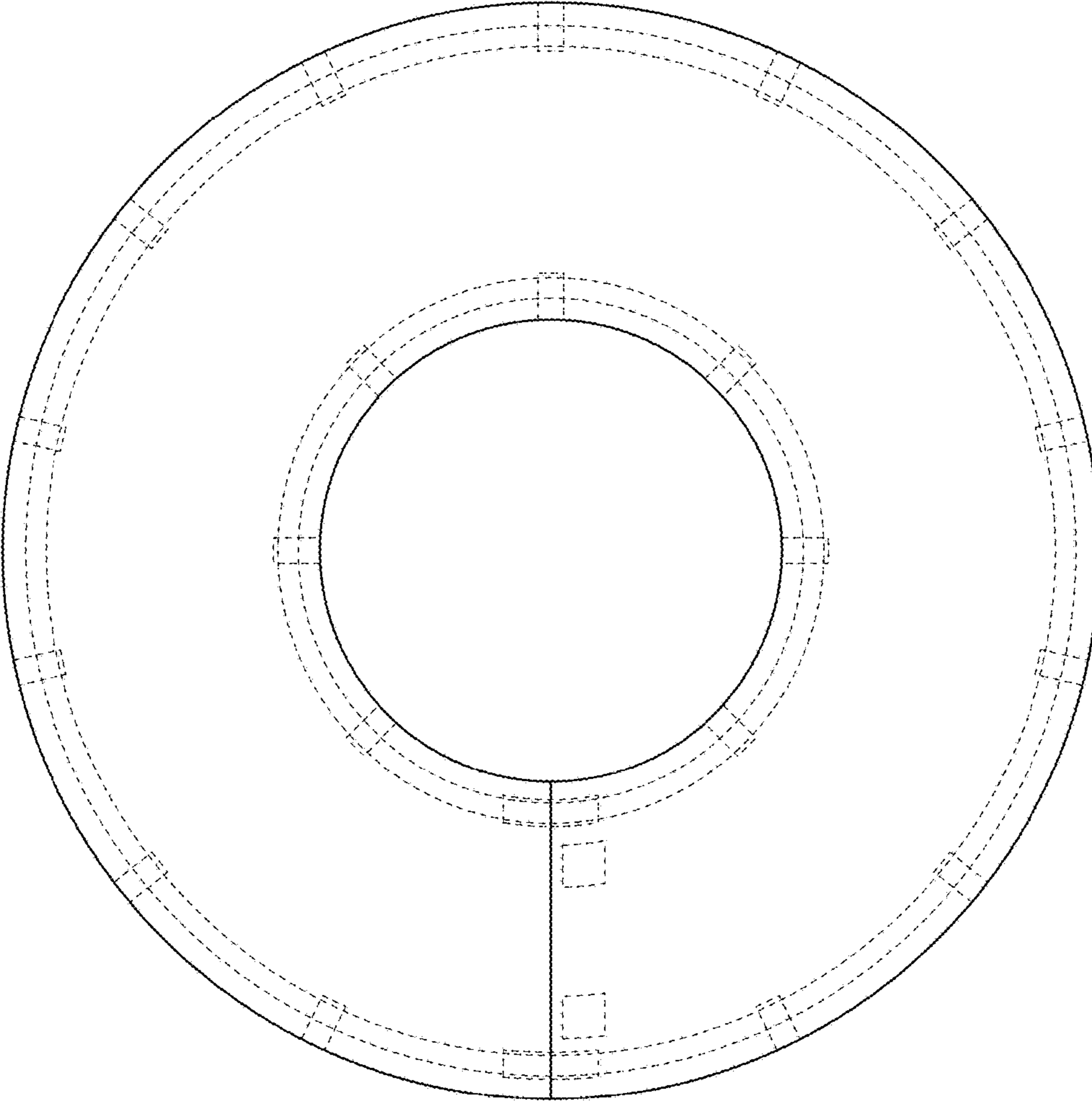


FIG. 3

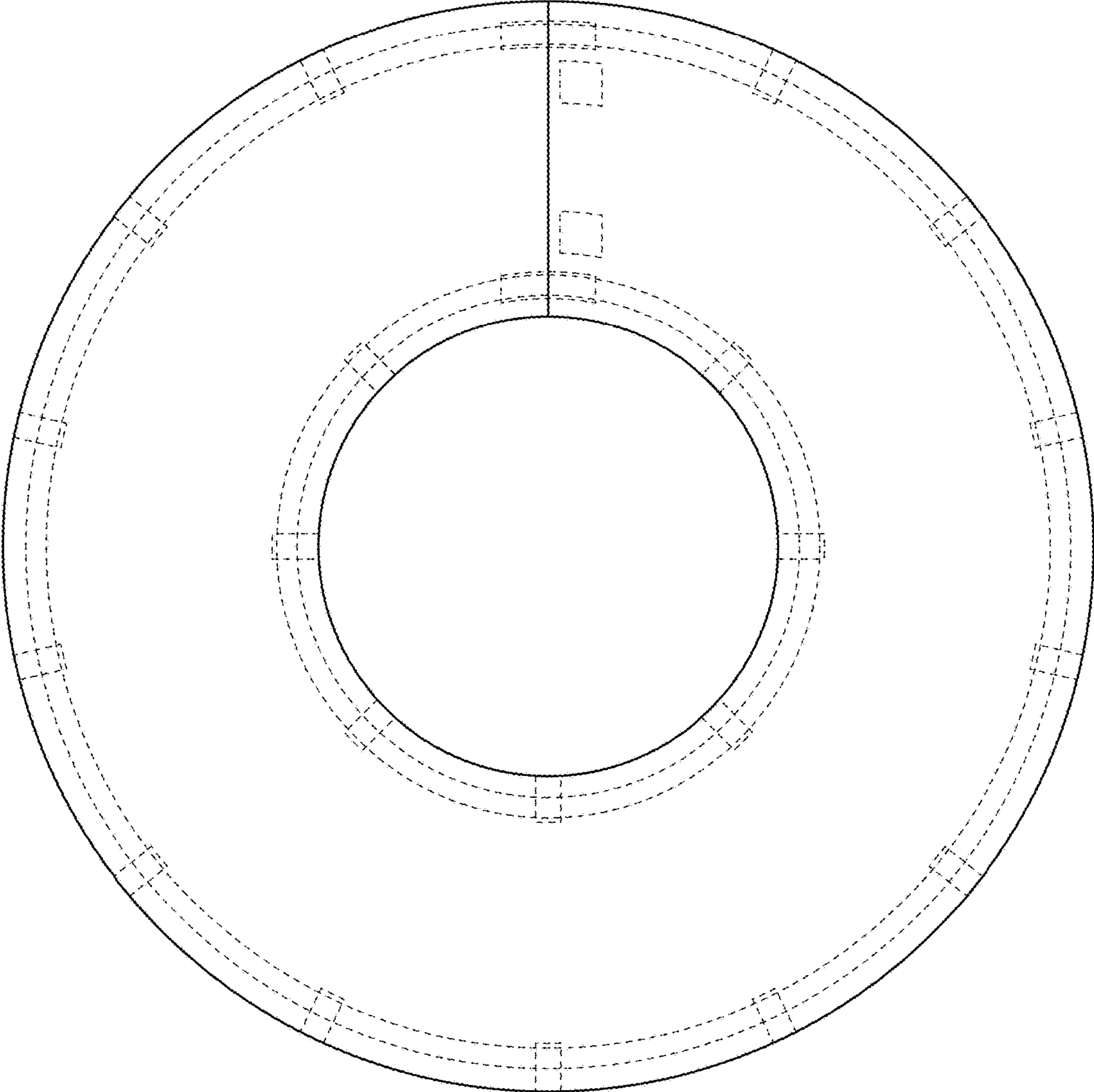


FIG. 4



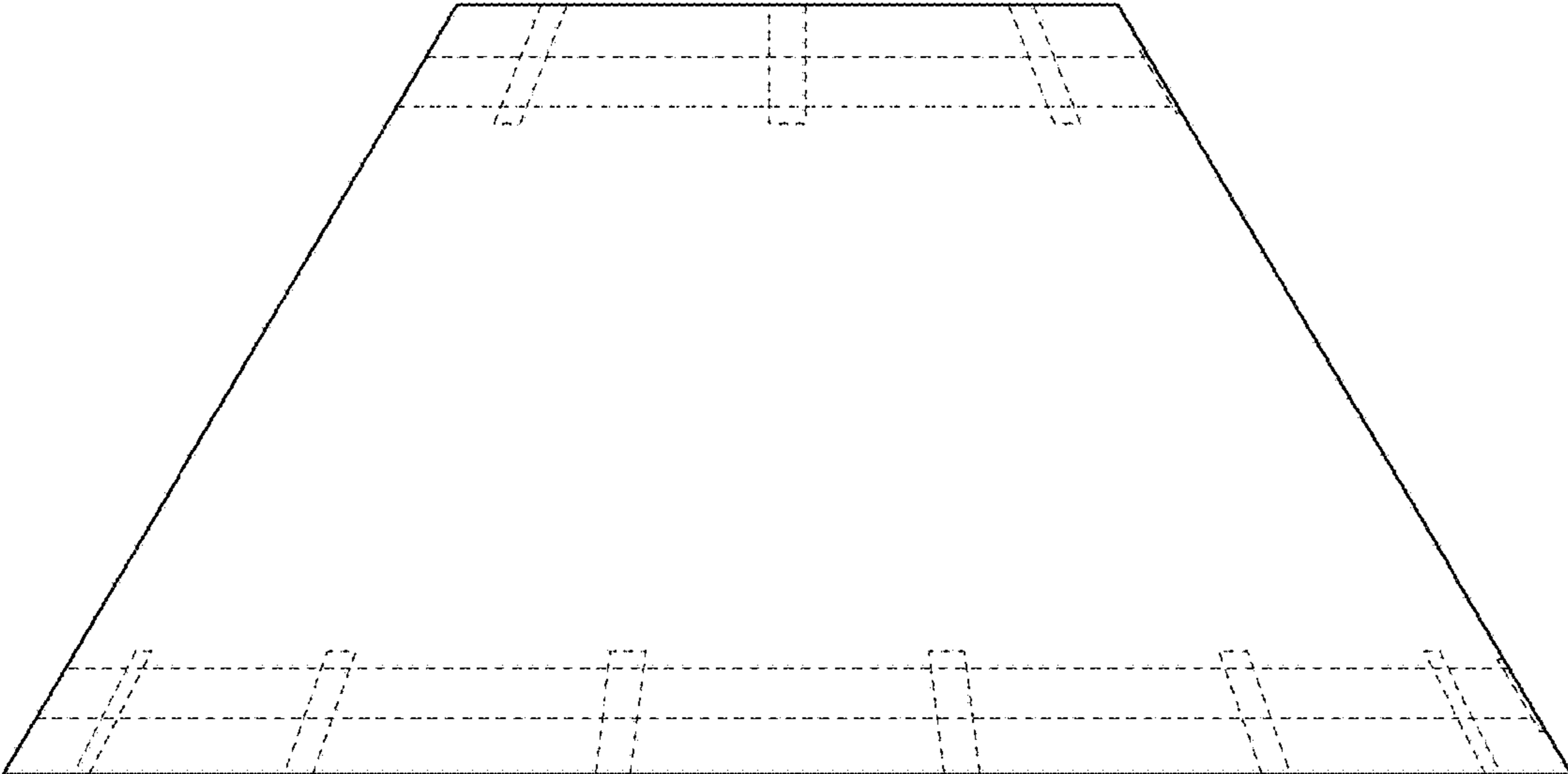


FIG. 5

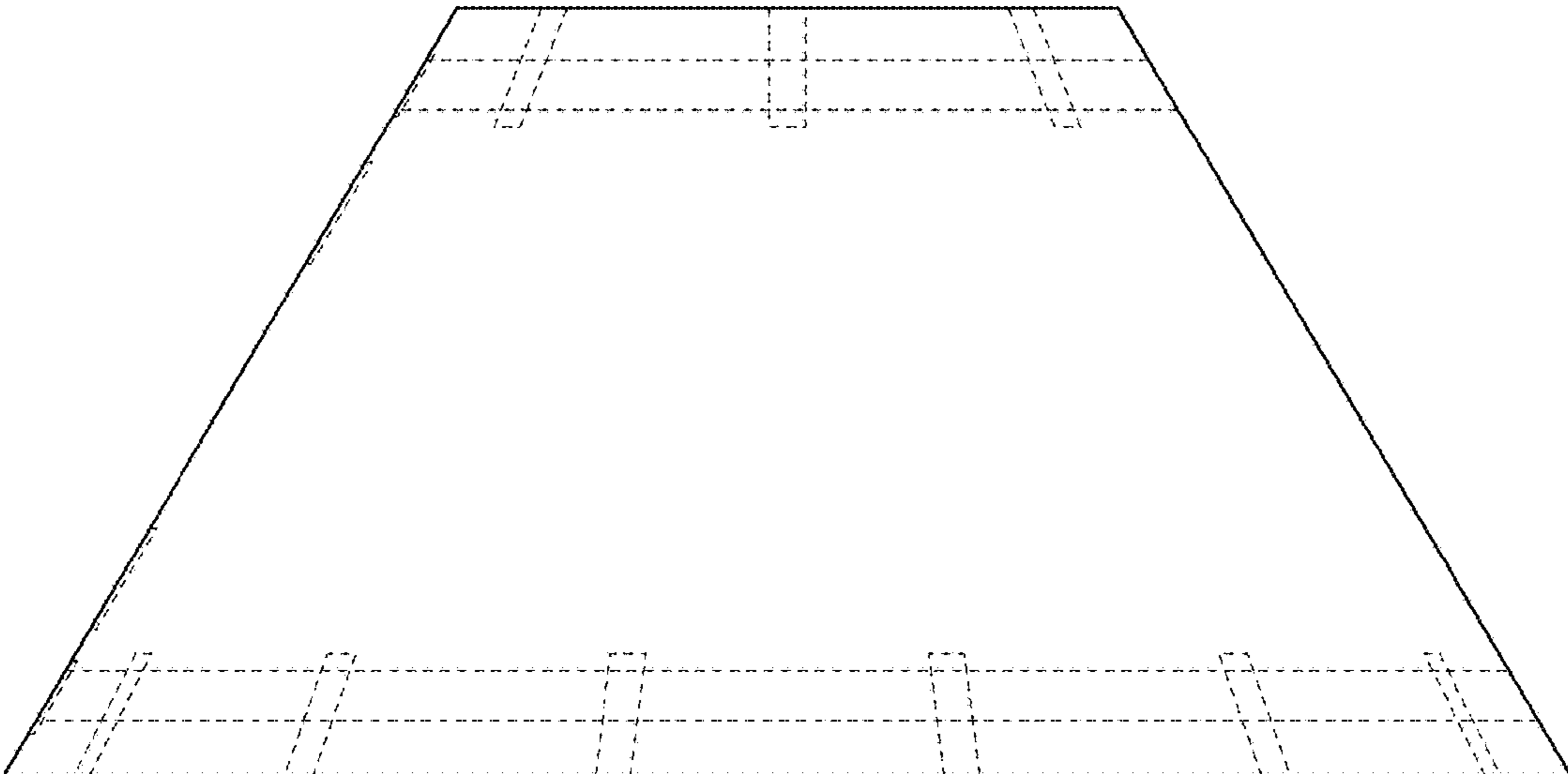


FIG. 6