



US00D816542S

(12) **United States Design Patent** (10) **Patent No.:** **US D816,542 S**
Shah et al. (45) **Date of Patent:** **** May 1, 2018**

(54) **PRECIOUS GEMSTONE MOUNTING**

(71) Applicants: **Neeta Kuldip Shah**, Manalapan, NJ
 (US); **Kuldip Pradip Shah**, Manalapan,
 NJ (US)

(72) Inventors: **Neeta Kuldip Shah**, Manalapan, NJ
 (US); **Kuldip Pradip Shah**, Manalapan,
 NJ (US)

(**) Term: **15 Years**

(21) Appl. No.: **29/505,871**

(22) Filed: **Mar. 17, 2016**

(51) **LOC (11) Cl.** **11-01**

(52) **U.S. Cl.**
 USPC **D11/91**

(58) **Field of Classification Search**
 USPC D11/1, 2, 13, 26-45, 79-86, 89-92
 CPC .. A44C 1/00; A44C 7/00; A44C 7/002; A44C
 7/004; A44C 7/005; A44C 7/006; A44C
 9/00; A44C 25/00; A44C 25/001; A44C
 17/02; A44C 17/0208; A44C 17/04; A44C
 17/046

See application file for complete search history.

2015/0121959 A1* 5/2015 Huynh A44C 17/04
 63/28
 2015/0289611 A1* 10/2015 Shah A44C 17/0208
 63/28
 2016/0331089 A1* 11/2016 Huynh A44C 17/02

OTHER PUBLICATIONS

Diamour website, published on Jun. 14, 2015, online. Site visited on
 Mar. 24, 2017. Internet URL: <“https://web.archive.org/web/
 20150614025425/http://www.diamour.us/collection/love.html”>.*

* cited by examiner

Primary Examiner — Cynthia Ramirez
Assistant Examiner — L. Martinez-Rivera
 (74) *Attorney, Agent, or Firm* — Leason Ellis LLP

(56) **References Cited**

U.S. PATENT DOCUMENTS

D753,016 S * 4/2016 Yep D11/92
 9,596,911 B2 * 3/2017 Shah A44C 17/02
 2008/0087042 A1* 4/2008 Heimann A44C 17/02
 63/26
 2011/0179823 A1* 7/2011 Moody A44C 17/0208
 63/4
 2013/0227989 A1* 9/2013 Kothari A44C 17/02
 63/28

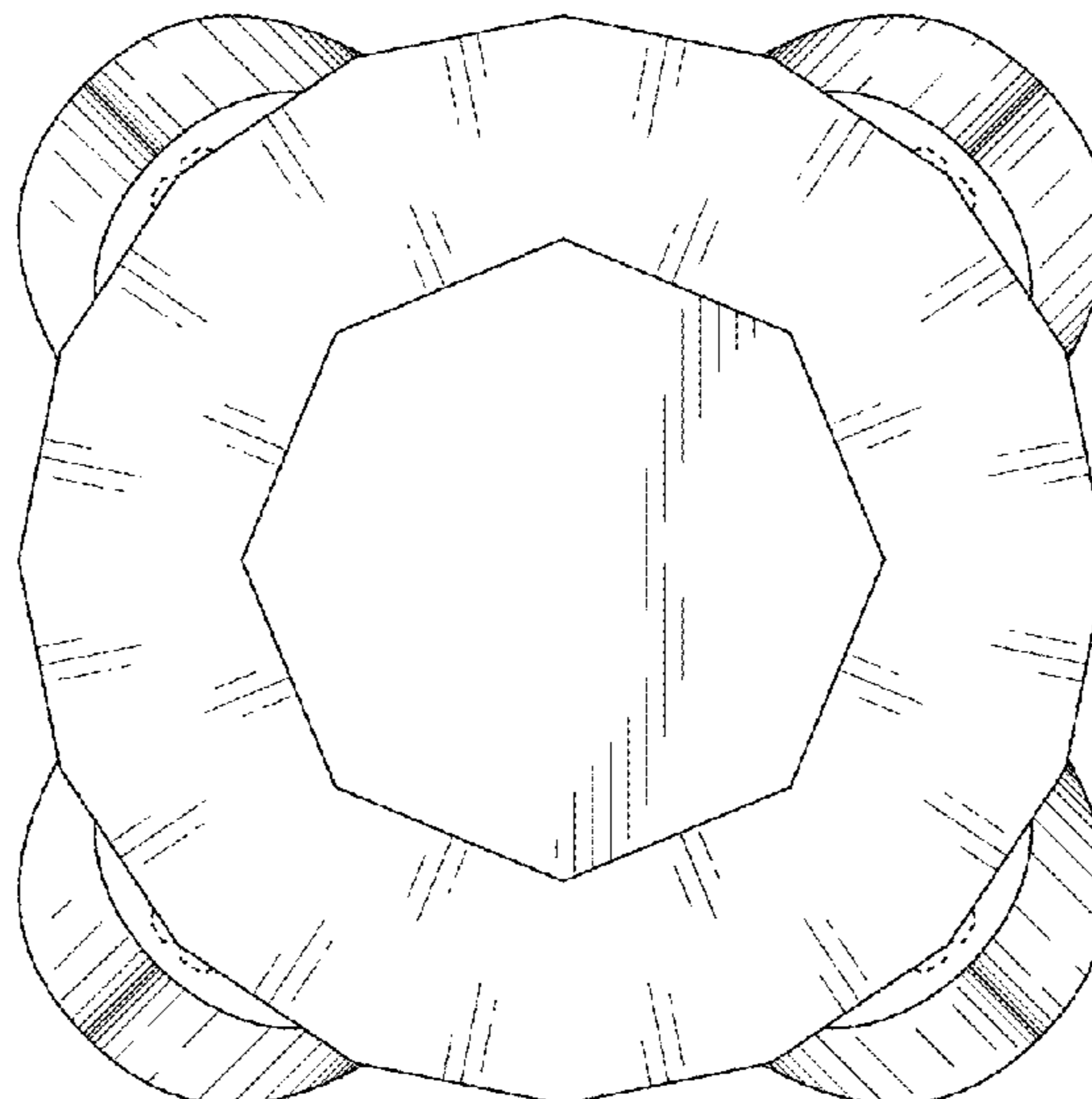
(57) **CLAIM**

The ornamental design for a precious gemstone setting, as shown.

DESCRIPTION

FIG. 1 is a top plan view of a precious gemstone setting showing our new design;
 FIG. 2 is a perspective view thereof;
 FIG. 3 is a side perspective view thereof, the side with a rotation of 90 degrees being identical thereto; and,
 FIG. 4 is another side perspective view thereof, the side with a rotation of 90 degrees being identical thereto.
 The broken lines in FIG. 1 illustrate portions of the precious gemstone setting and form no part of the claimed design.

1 Claim, 4 Drawing Sheets



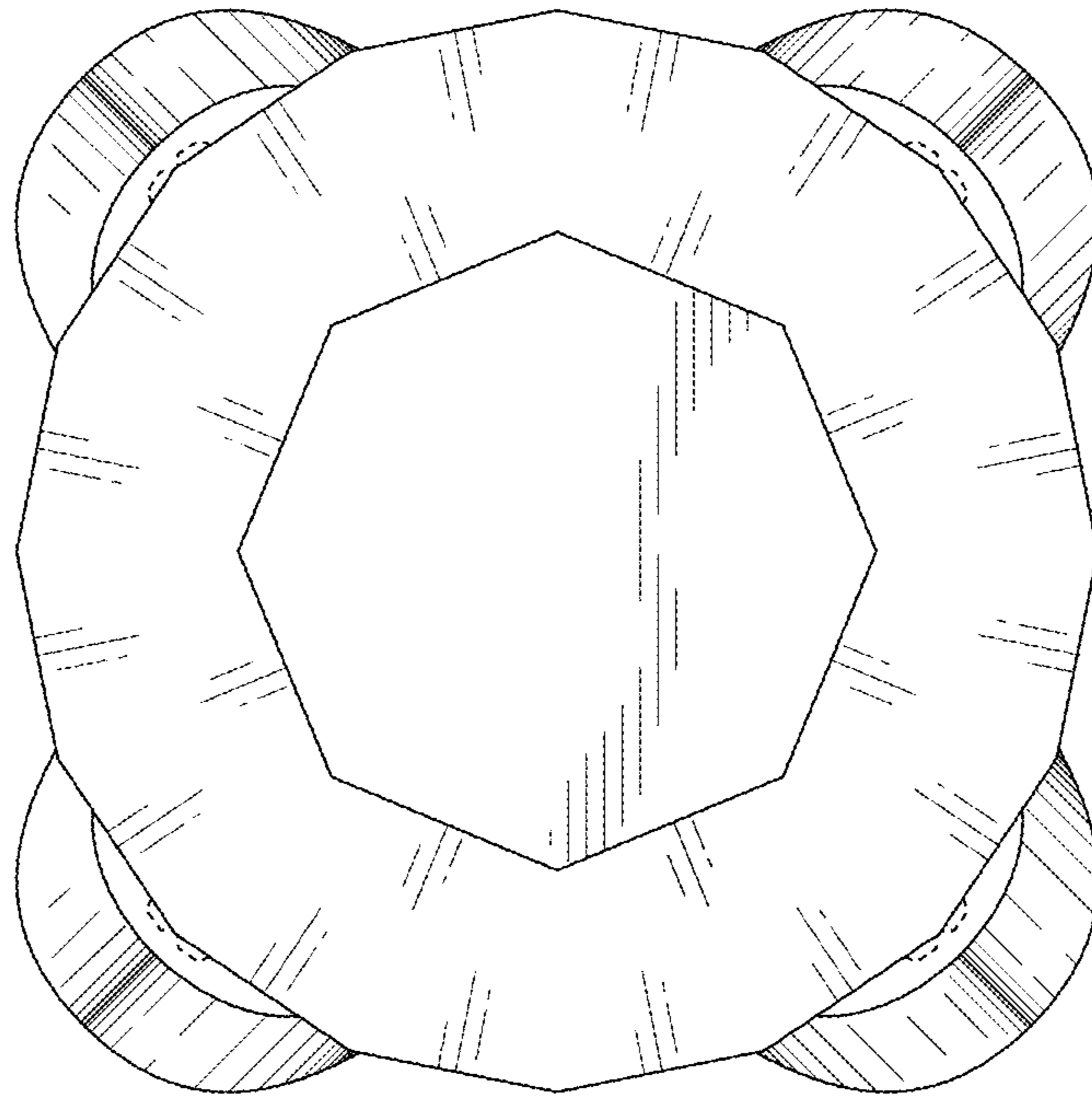


Fig. 1

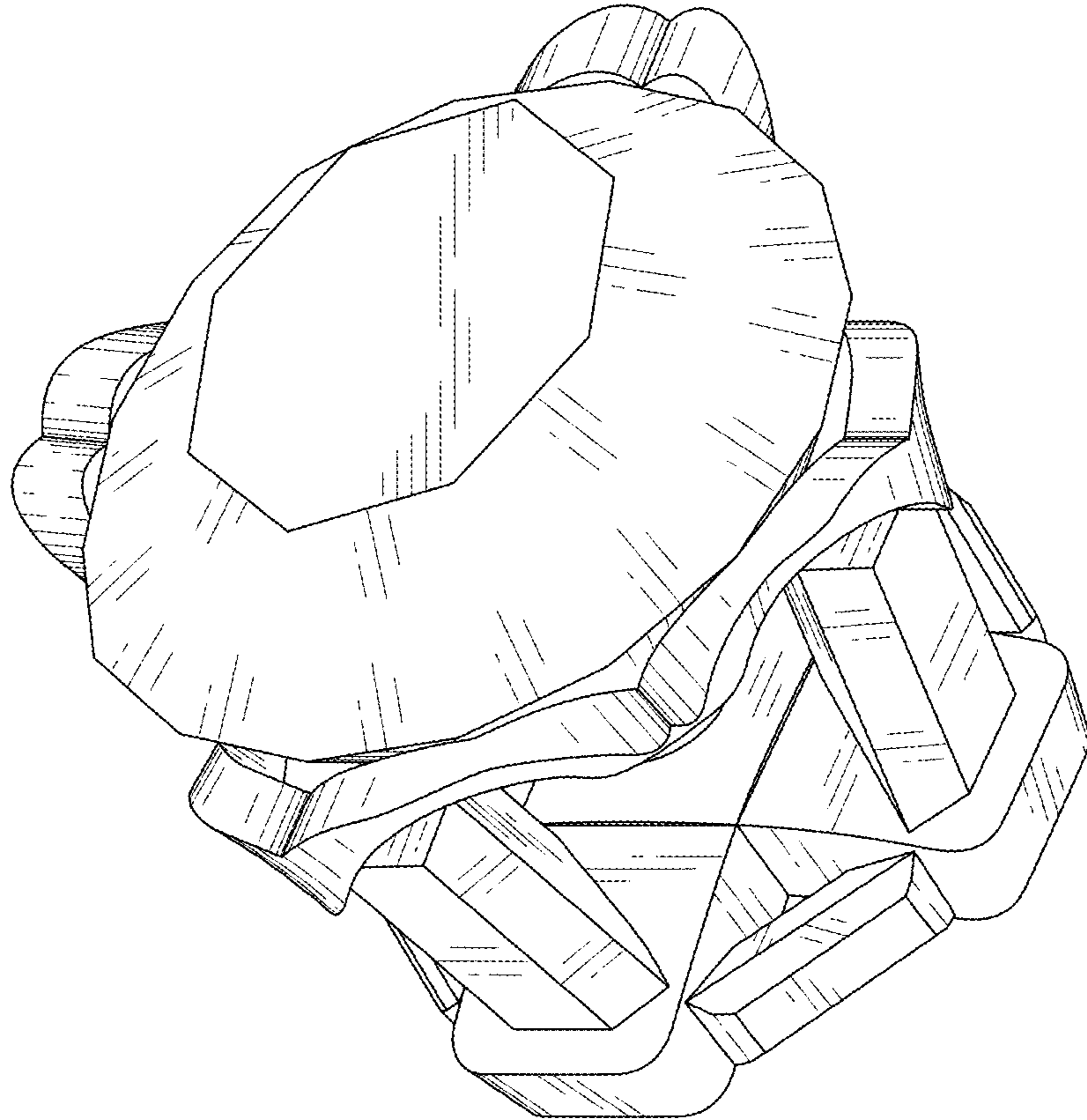


Fig. 2

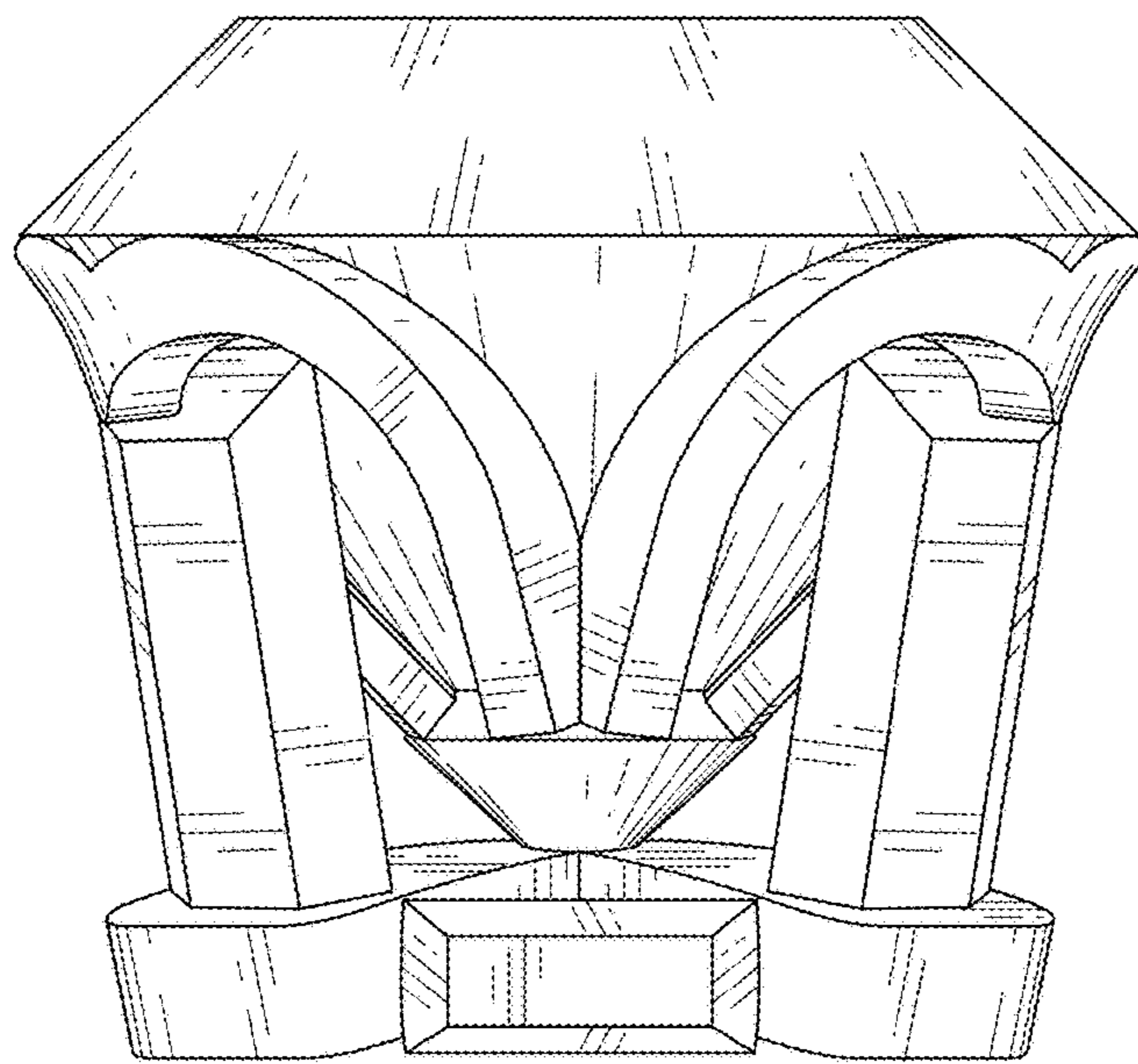


Fig. 3

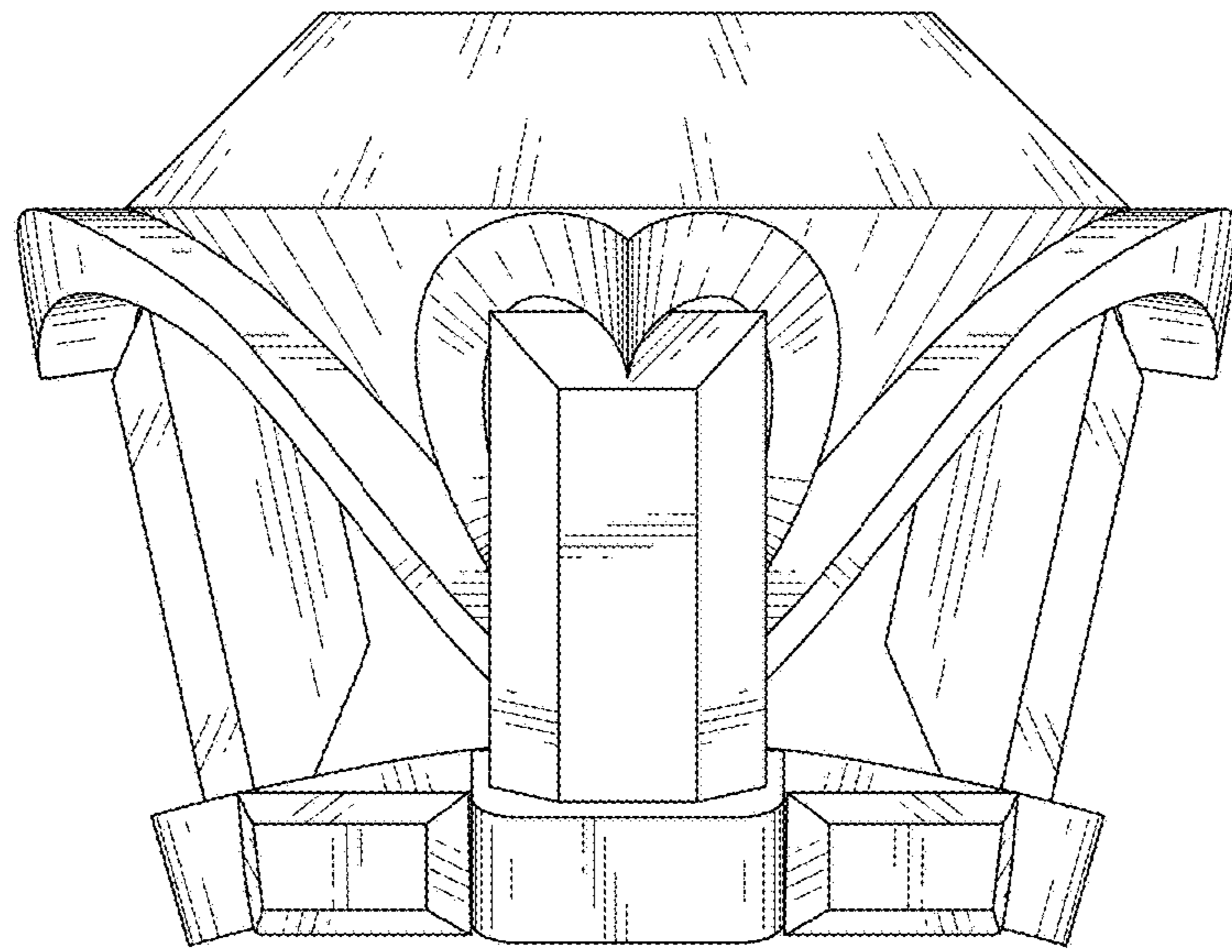


Fig. 4