



US00D816540S

(12) **United States Design Patent** (10) **Patent No.:** **US D816,540 S**
Grünewald et al. (45) **Date of Patent:** **** May 1, 2018**

(54) **FASTENER FOR AN ACCESSORY BAND**

FOREIGN PATENT DOCUMENTS

(71) Applicants: **Christian Grünewald**, Hessheim (DE);
Tanja Weissenrieder, Worms (DE)
(72) Inventors: **Christian Grünewald**, Hessheim (DE);
Tanja Weissenrieder, Worms (DE)

DE 3736254 5/1989
DE 20309634 8/2003

Primary Examiner — Ralf Seifert
(74) *Attorney, Agent, or Firm* — Boyle Fredrickson S.C.

(**) Term: **15 Years**

(57) **CLAIM**

(21) Appl. No.: **29/541,151**

The ornamental design for fastener for an accessory band, as shown and described.

(22) Filed: **Sep. 30, 2015**

DESCRIPTION

(30) **Foreign Application Priority Data**

Mar. 30, 2015 (DE) 40 2015 201 133

(51) **LOC (11) Cl.** **11-01**

(52) **U.S. Cl.**
USPC **D11/87**

(58) **Field of Classification Search**

USPC D11/1-2, 200-201, 206-210, 214-218;
24/163 R, 169-171, 173, 177-179, 191,
24/194-195, 197, 200, 614-616, 625,
24/198, 578.11, 578.1, 163 K, 114;
D2/853, 624

CPC A44B 11/26; A44B 11/25; A44B 11/06;
A44B 11/04

See application file for complete search history.

FIG. 1 is a front perspective view of a fastener for an accessory band showing our new design;

FIG. 2 is a back perspective view of the fastener shown in FIG. 1;

FIG. 3 is a front view of the fastener shown in FIG. 1;

FIG. 4 is a back view of the fastener shown in FIG. 1;

FIG. 5 is a right side view of the fastener shown in FIG. 1, wherein the left side view is a mirror image of the right side view and therefore not separately shown;

FIG. 6 is a top view of the fastener shown in FIG. 1, wherein the bottom view is a mirror image of the top view and therefore not separately shown;

FIG. 7 is a front perspective view of an alternate embodiment of our new design;

FIG. 8 is a back perspective view of the fastener shown in FIG. 7;

FIG. 9 is a front view of the fastener shown in FIG. 7;

FIG. 10 is a back view of the fastener shown in FIG. 7;

FIG. 11 is a right side view of the fastener shown in FIG. 7, wherein the left side view is a mirror image of the right side view and therefore not separately shown; and,

FIG. 12 is a top view of the fastener shown in FIG. 7, wherein the bottom view is a mirror image of the top view and therefore not separately shown.

The dashed lines in FIGS. 1-12 are for illustrative purposes only and form no part of the claimed design.

(56) **References Cited**

U.S. PATENT DOCUMENTS

1,701,970 A * 2/1929 Chaunard A44C 5/2076
24/665

3,665,565 A * 5/1972 Kruger A44B 11/25
24/265 WS

D264,828 S * 6/1982 Gray D11/87

4,736,494 A 4/1988 Marchesi

5,933,926 A 8/1999 Reiter

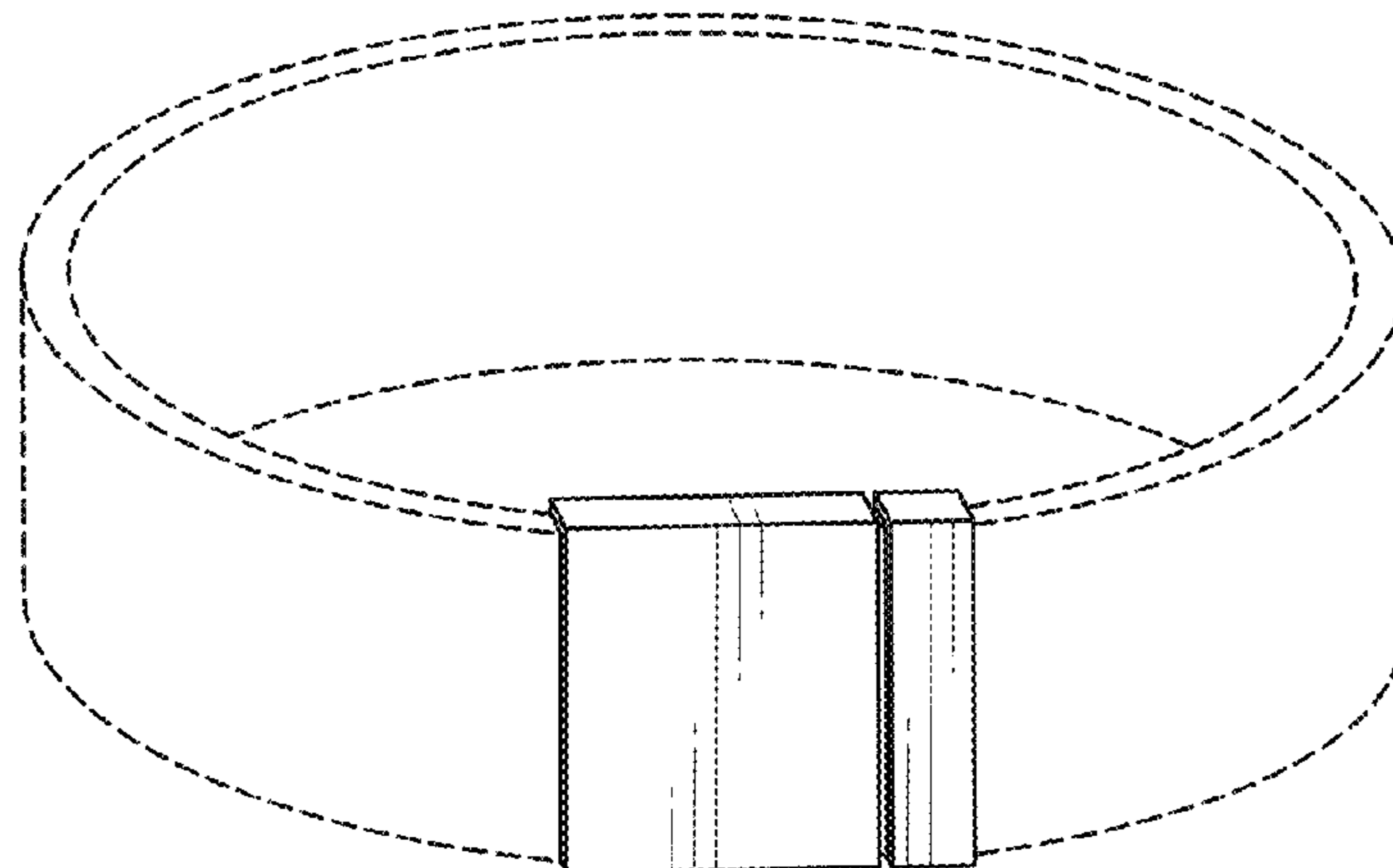
7,178,207 B2 2/2007 Wong et al.

D562,371 S * 2/2008 Erickson D11/216

D622,128 S * 8/2010 Laurenza D11/87

(Continued)

1 Claim, 4 Drawing Sheets



(56)

References Cited

U.S. PATENT DOCUMENTS

D625,643	S	*	10/2010	Desser	D11/87
D632,215	S	*	2/2011	Shani	D11/216
D632,217	S	*	2/2011	Shani	D11/216
D673,874	S	*	1/2013	Long	D11/1
D673,879	S	*	1/2013	Petty	D11/216
D740,714	S	*	10/2015	Cerrato	D11/94
D774,413	S	*	12/2016	Paik	D11/216
D784,632	S	*	4/2017	Rider	D11/216

* cited by examiner

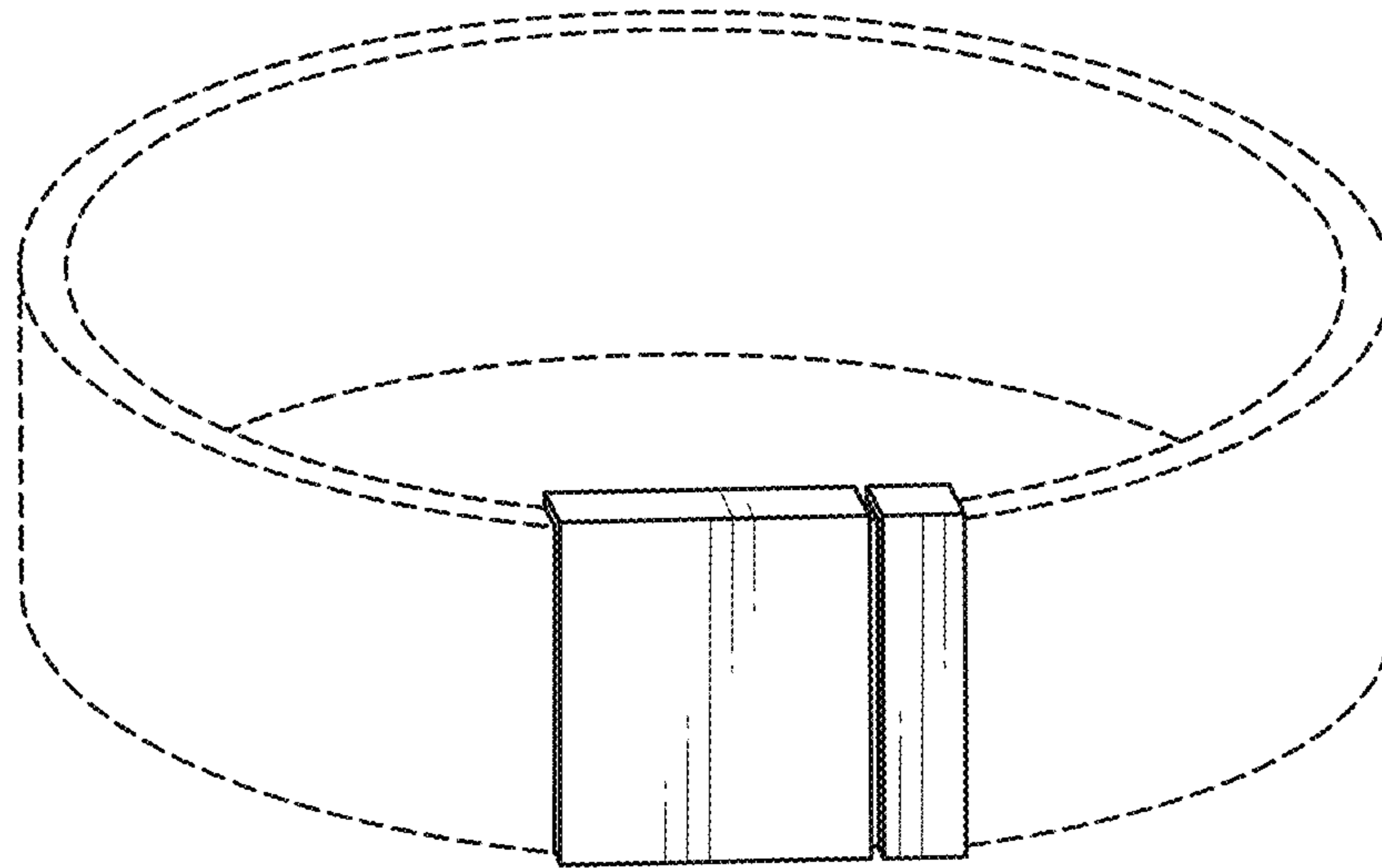


FIG. 1

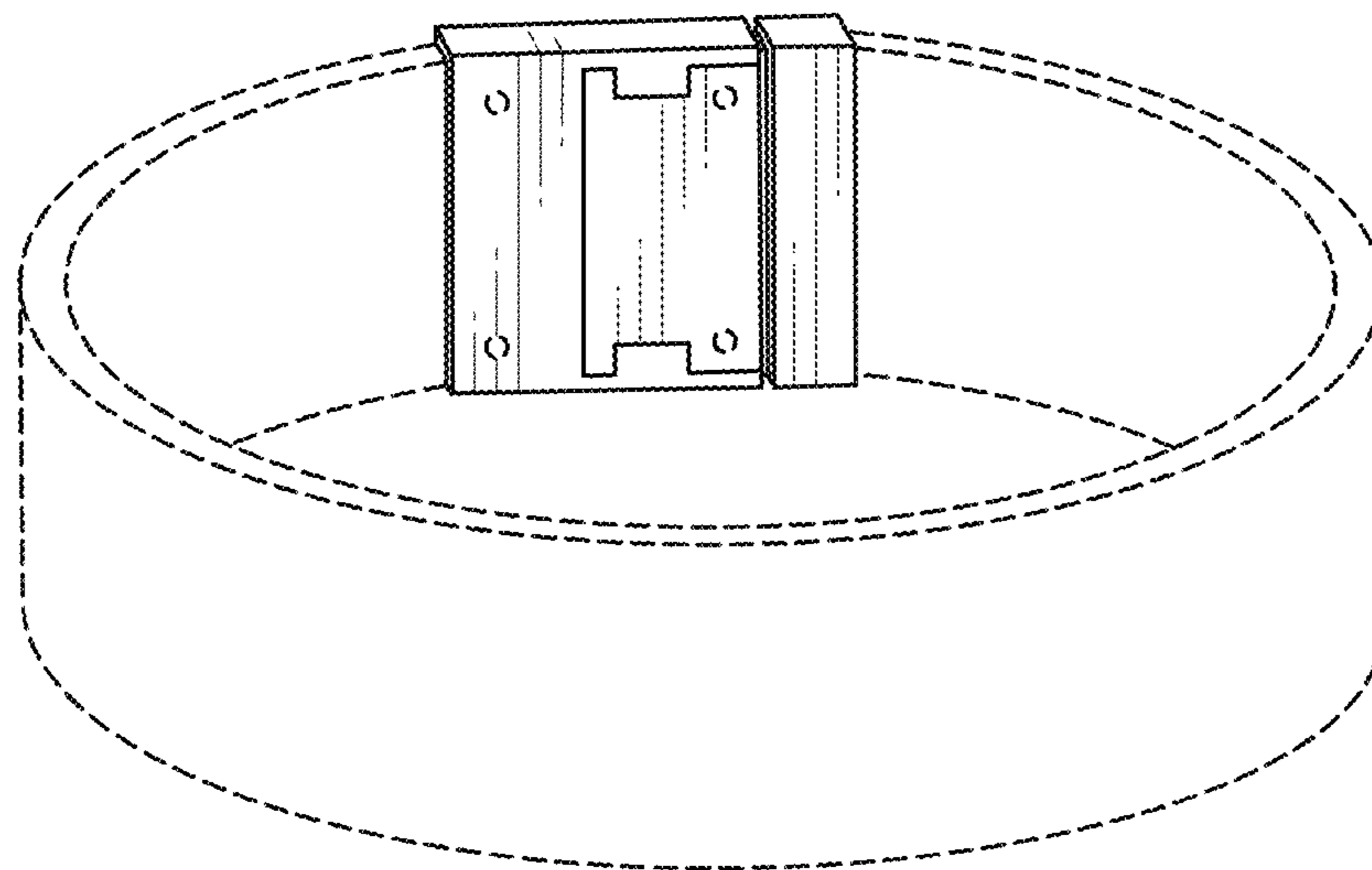


FIG. 2

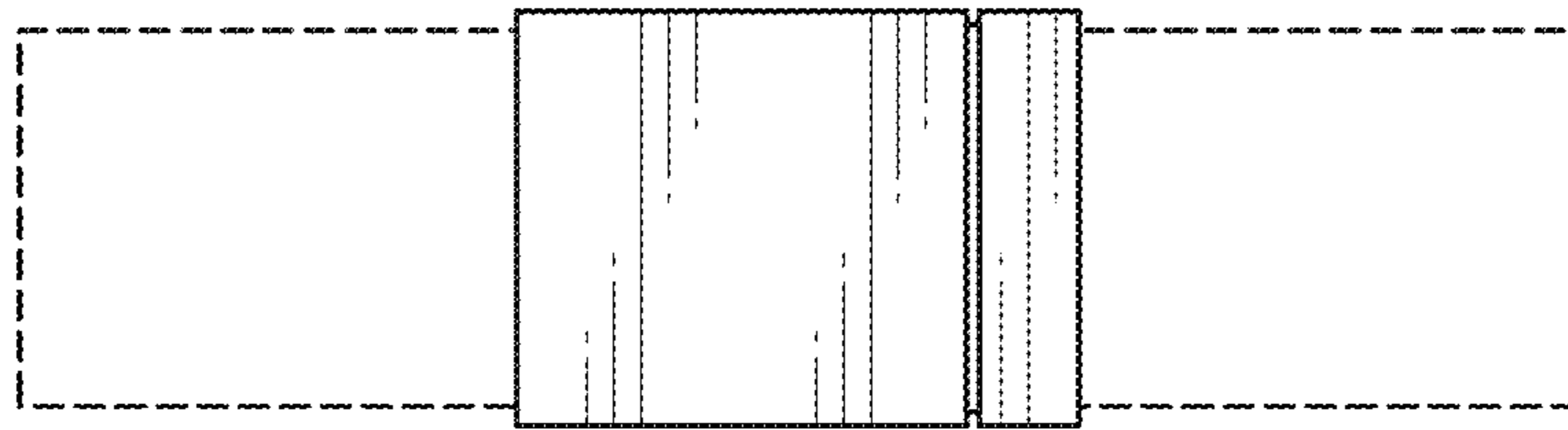


FIG. 3

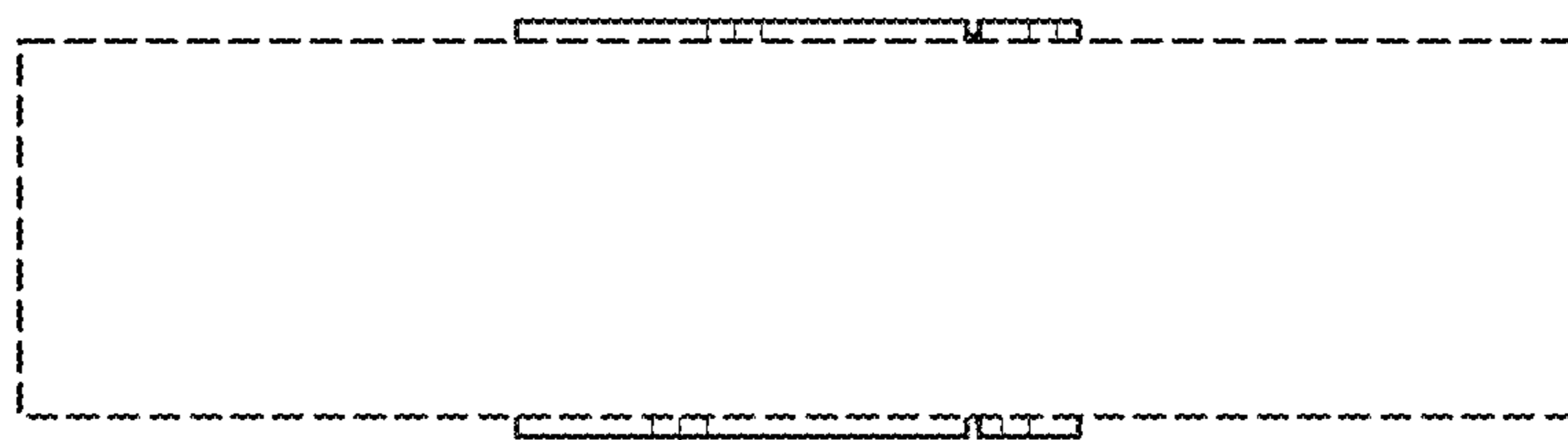


FIG. 4

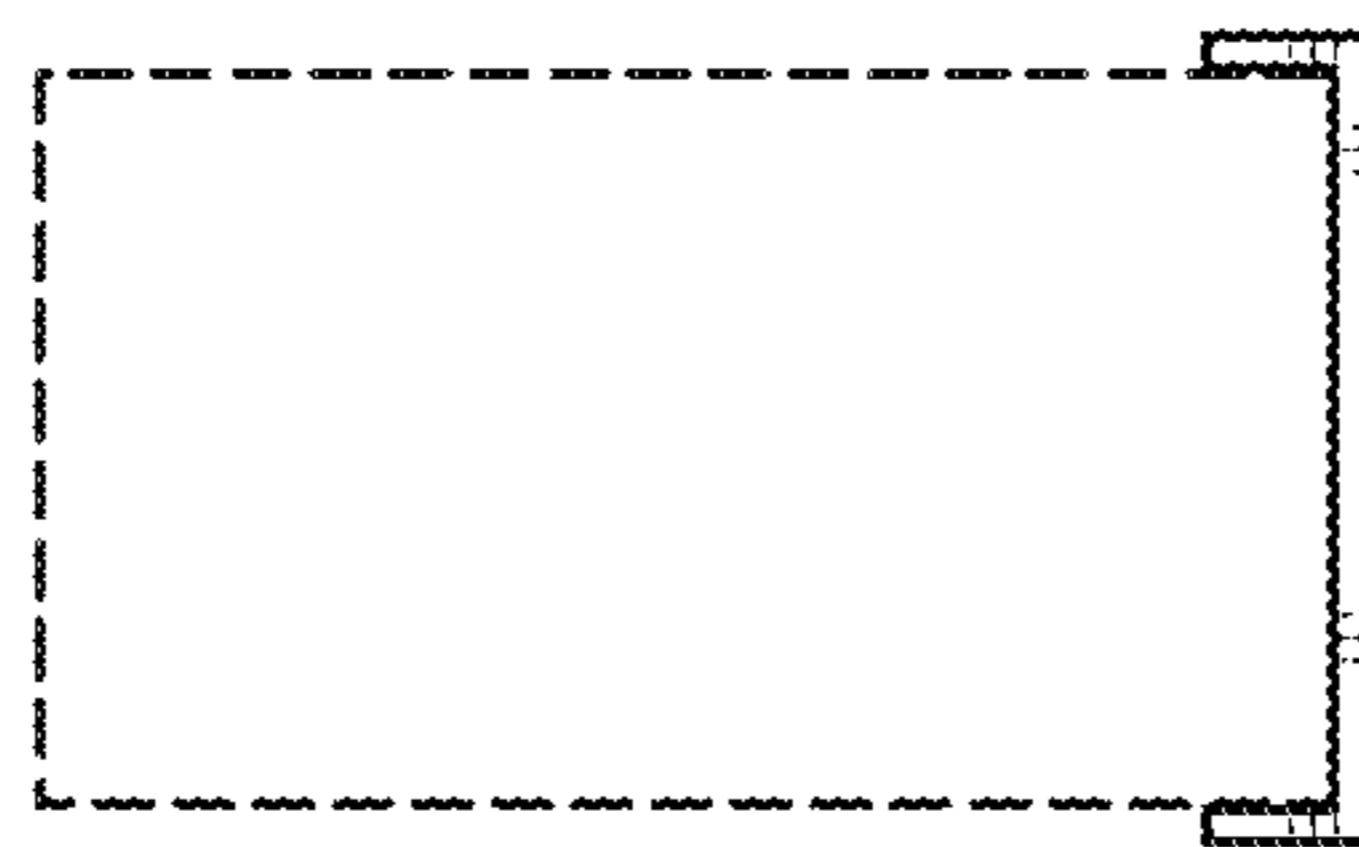


FIG. 5

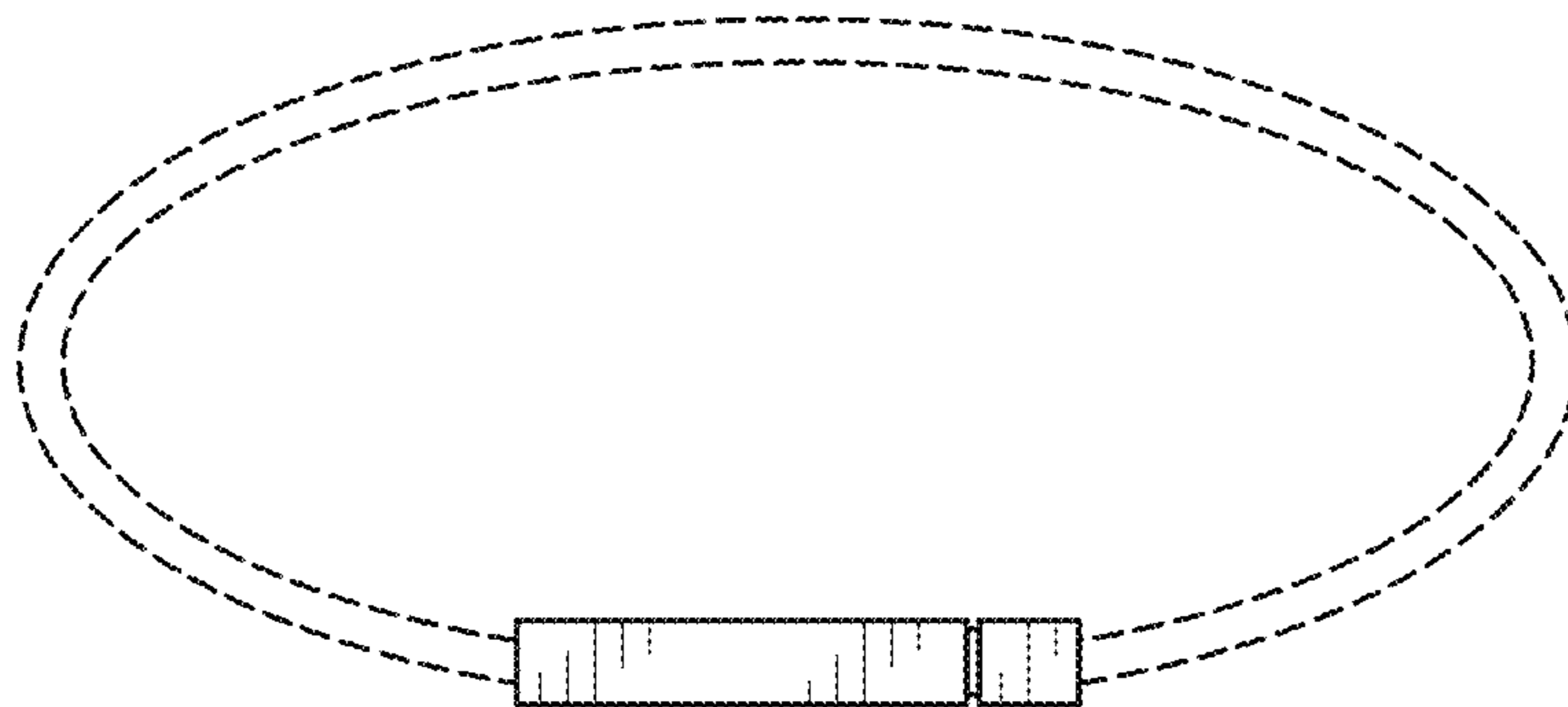


FIG. 6

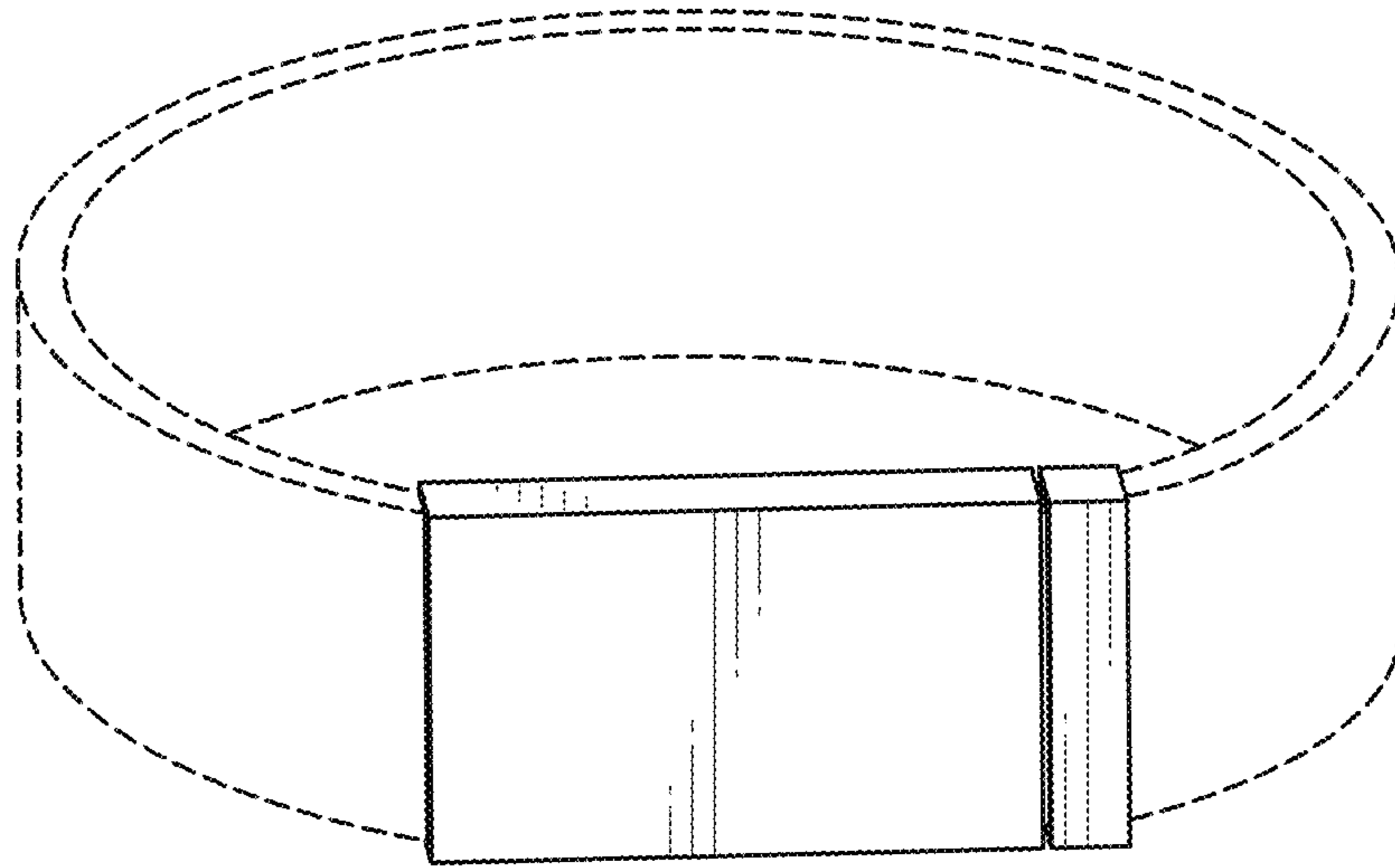


FIG. 7

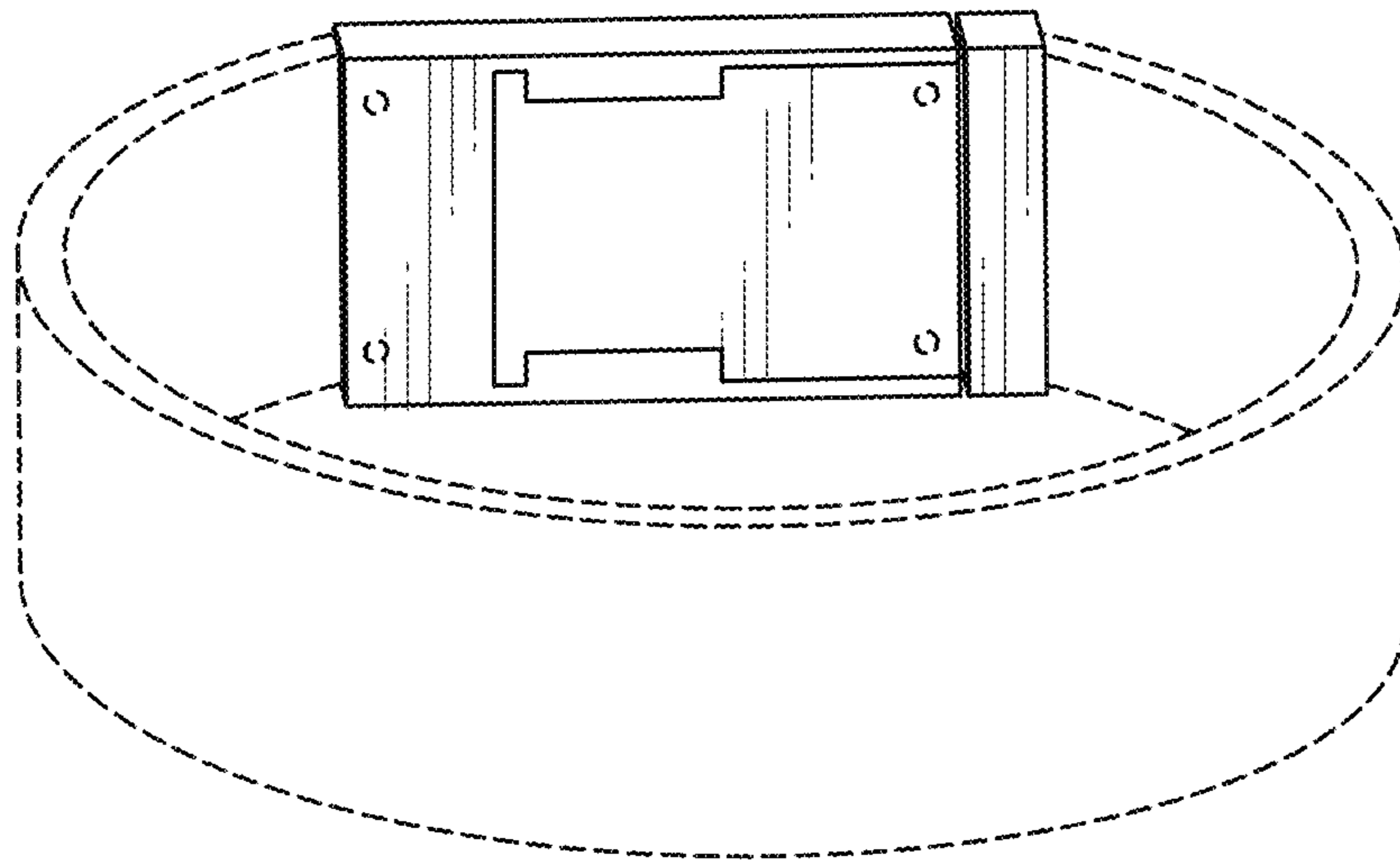


FIG. 8

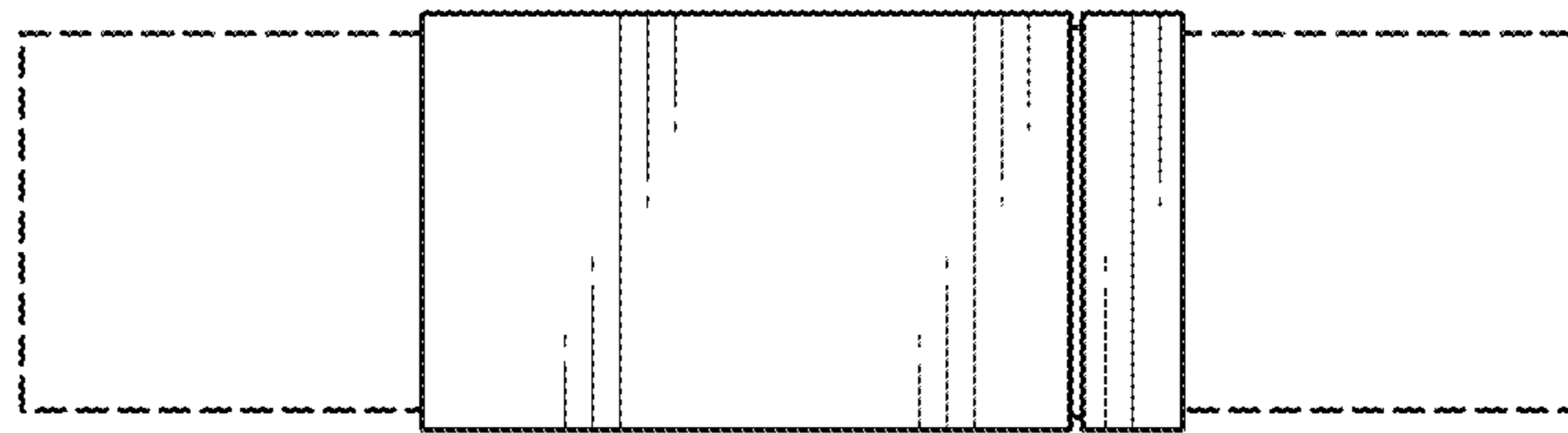


FIG. 9

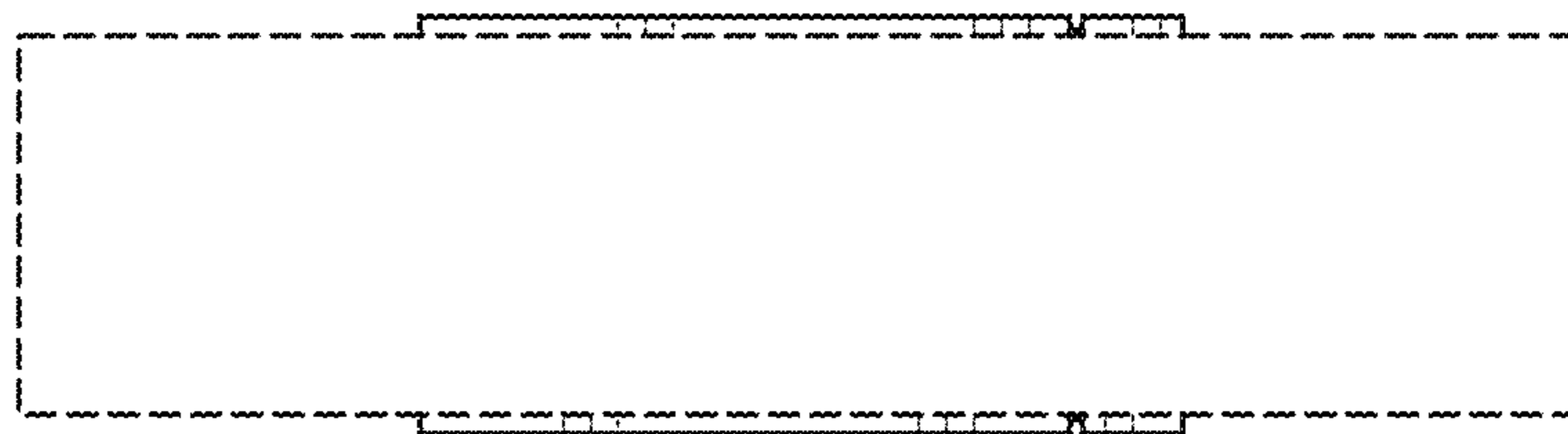


FIG. 10

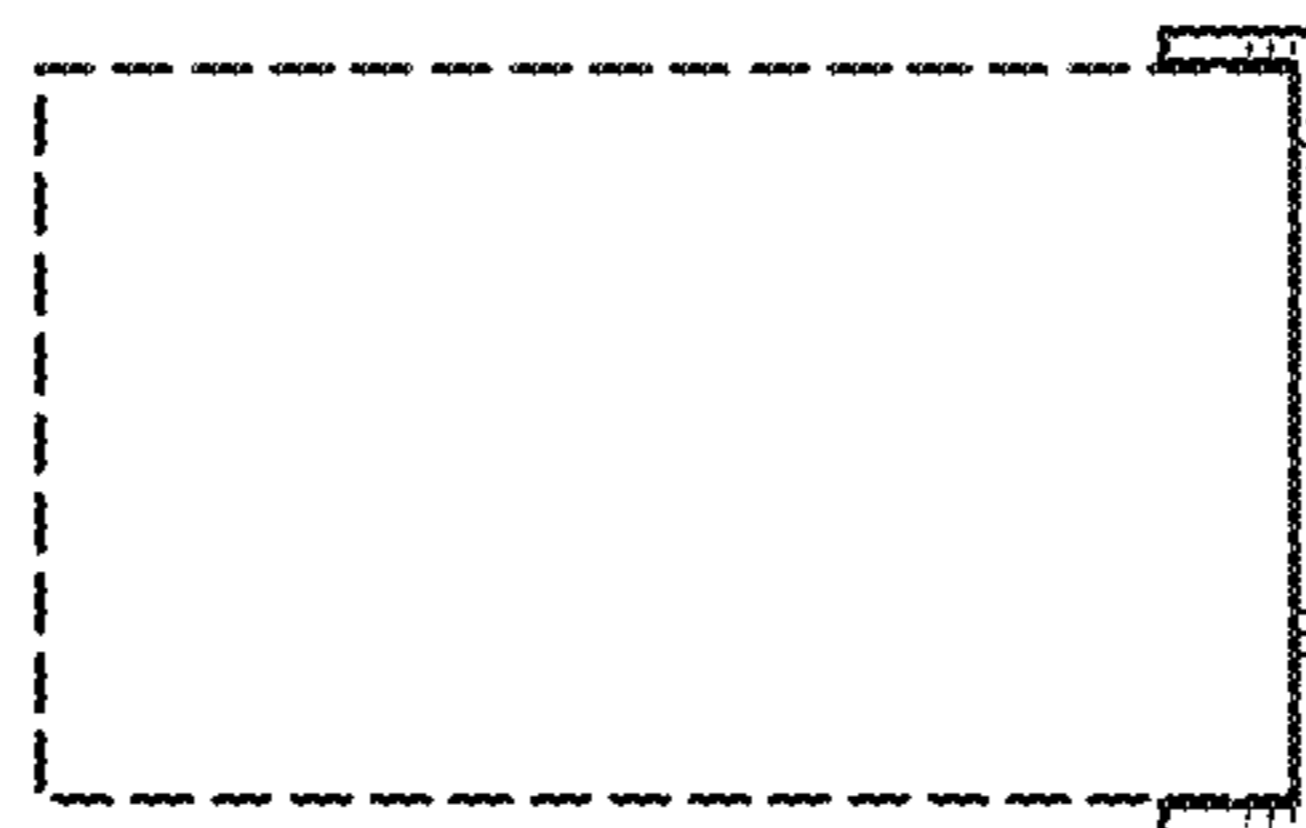


FIG. 11

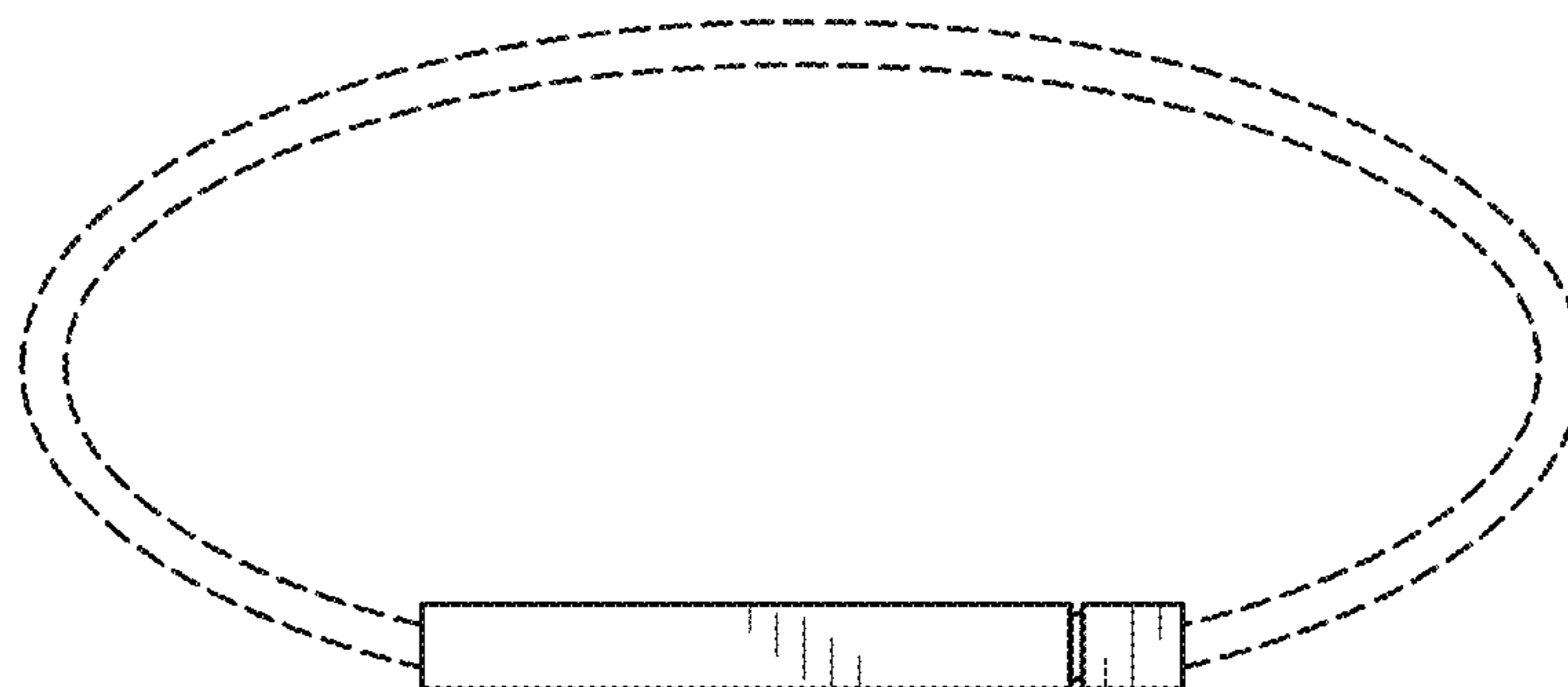


FIG. 12