



US00D816532S

(12) **United States Design Patent**  
**Monachon**

(10) **Patent No.:** **US D816,532 S**  
(45) **Date of Patent:** **\*\* May 1, 2018**

(54) **OSCILLATING MASS**  
(71) Applicant: **OMEGA LTD.**, Biel/Bienne (CH)  
(72) Inventor: **Jean-Claude Monachon**, Bevaix (CH)  
(73) Assignee: **OMEGA LTD.**, Biel/Bienne (CH)  
(\*\*) Term: **15 Years**

7,547,136 B2 \* 6/2009 Bravo ..... G04B 5/165  
310/36  
D630,960 S \* 1/2011 Vogeli ..... D10/128  
7,946,756 B2 \* 5/2011 Courvoisier ..... G04B 43/002  
368/152  
D640,582 S \* 6/2011 Behling ..... D10/128  
8,342,740 B2 \* 1/2013 Beccia ..... G04B 9/005  
368/208  
D725,530 S \* 3/2015 Graff ..... D10/128  
(Continued)

(21) Appl. No.: **29/605,700**

**OTHER PUBLICATIONS**

(22) Filed: **May 30, 2017**

Omega Seamaster Diver Commanders Watch | posted at deployant.com Aug. 2017 Copyright 2017 Deployant Pte Ltd [online][site visited Feb. 14, 2018]. Available from Internet: <<https://www.deployant.com/review-omega-seamaster-diver-300m-commanders-watch-limited-edition/>> (Year: 2017).\*

(30) **Foreign Application Priority Data**

Nov. 29, 2016 (WO) ..... DM/093 660

(Continued)

(51) **LOC (11) Cl.** ..... **10-07**

(52) **U.S. Cl.**  
USPC ..... **D10/129**

(58) **Field of Classification Search**  
USPC ..... D10/1-5, 15, 20-28, 30-32, 39, 40, 42,  
D10/128-130; D14/131, 157, 168-171,  
D14/188, 198, 203.3-203.7, 217, 344,  
D14/496, 498-511; D20/20; D23/235;  
D26/24; D99/28  
CPC ..... G04B 17/00; G04B 19/223; G04B 19/24;  
G04B 37/00; G04B 45/0076; G04B  
45/0053; G04C 1/04; G04C 5/00; G04C  
3/00; G04C 3/008; G04C 3/027; G04C  
23/02; H04B 1/06; H04B 1/08; H04M  
1/04  
See application file for complete search history.

*Primary Examiner* — Sandra S Snapp  
*Assistant Examiner* — Katherine Glennon  
(74) *Attorney, Agent, or Firm* — Abelman, Frayne & Schwab

(57) **CLAIM**

The ornamental design for an oscillating mass, as shown and described.

**DESCRIPTION**

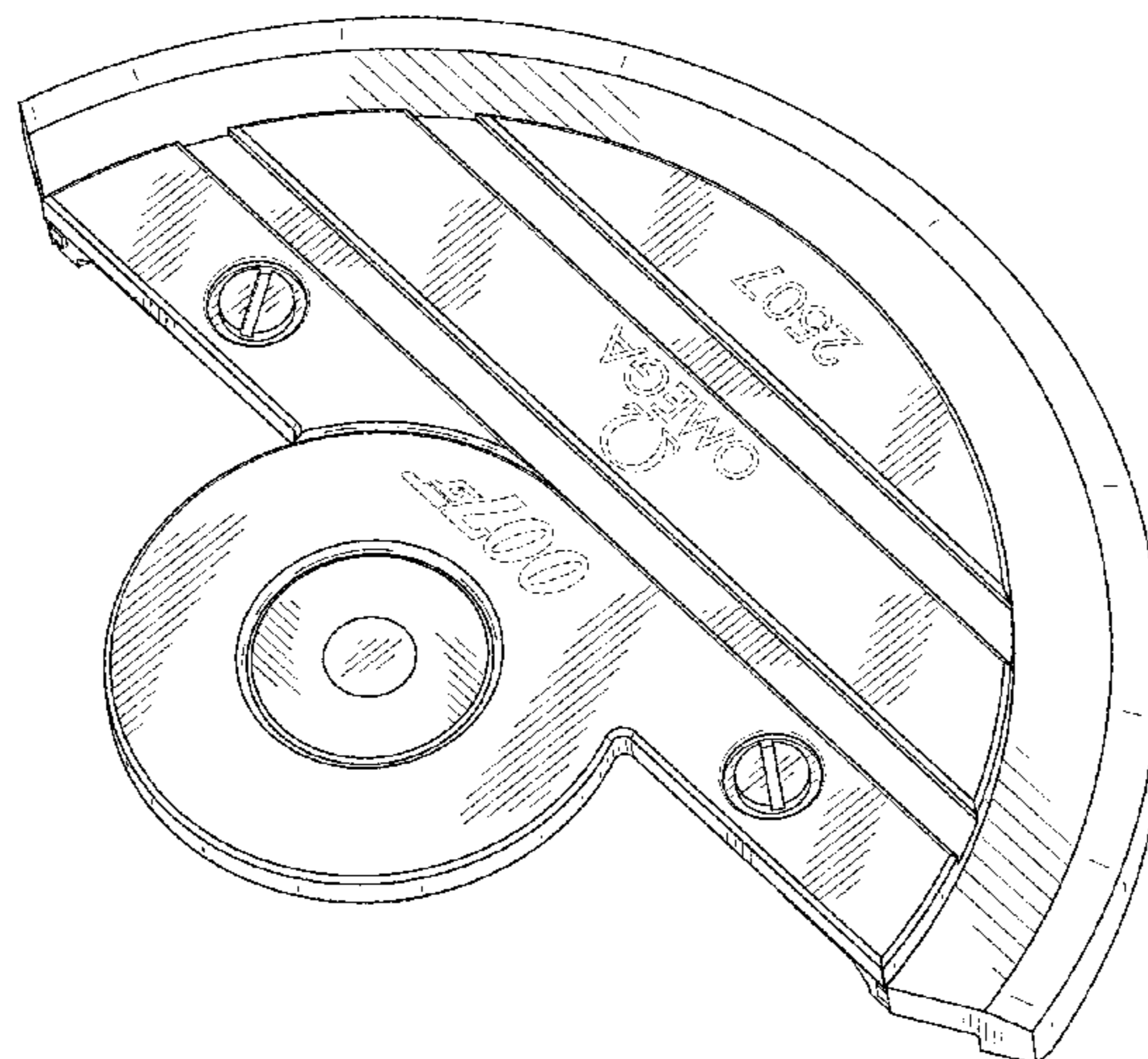
FIG. 1 is a front perspective view of an oscillating mass showing my new design;  
FIG. 2 is a rear perspective view thereof;  
FIG. 3 is a front view thereof;  
FIG. 4 is a rear view thereof;  
FIG. 5 is a bottom view thereof;  
FIG. 6 is a top view thereof;  
FIG. 7 is a right side view thereof; and,  
FIG. 8 is a left side view thereof.  
The portions of the oscillating mass shown in broken lines form no part of the claimed design.

(56) **References Cited**

**U.S. PATENT DOCUMENTS**

6,021,098 A \* 2/2000 Rebeaud ..... G04B 5/181  
368/204  
D481,324 S \* 10/2003 Filiberti ..... D10/128  
D481,644 S \* 11/2003 Filiberti ..... D10/128  
D539,182 S \* 3/2007 Perret ..... D10/128

**1 Claim, 6 Drawing Sheets**



(56)

**References Cited**

U.S. PATENT DOCUMENTS

9,104,179 B2 \* 8/2015 Jamin ..... G04B 5/165  
D760,106 S \* 6/2016 Monachon ..... D10/128  
9,862,129 B2 \* 1/2018 Strahm ..... B29C 45/0003  
2012/0195173 A1 \* 8/2012 Poffet ..... G04B 5/165  
368/208  
2013/0114381 A1 \* 5/2013 Kaelin ..... G04B 5/165  
368/208

OTHER PUBLICATIONS

Breitling Navitimer Rattrapante | posted at watchesbysjx.com Mar. 2017 SJX © 2011-2018. [online][site visited Feb. 14, 2018]. Available from Internet: <<http://watchesbysjx.com/2017/03/hands-on-with-the-breitling-navitimer-rattrapante-an-in-house-split-seconds-chronograph.html>> p. 8 (Year: 2017).\*

\* cited by examiner

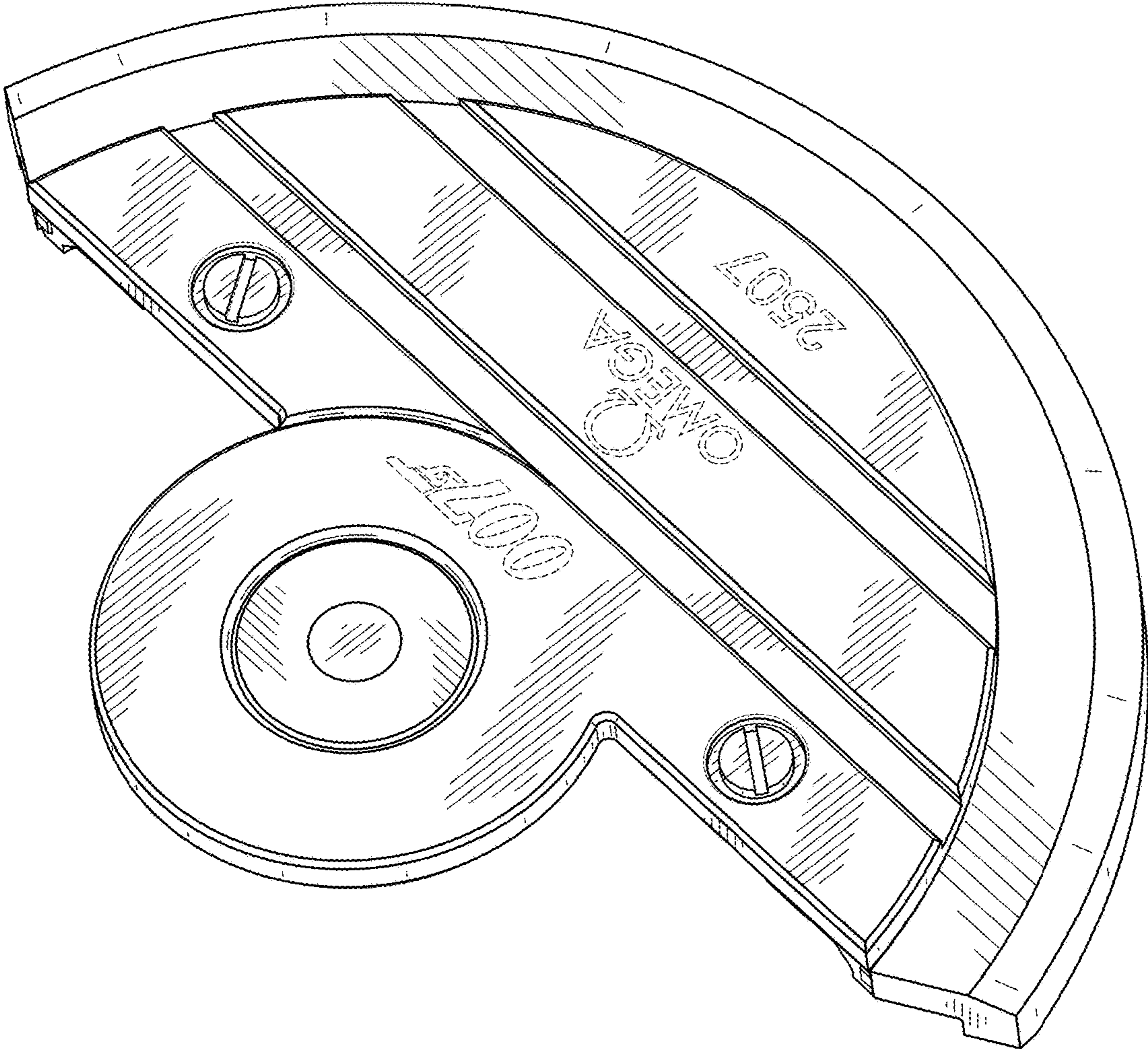


FIG. 1

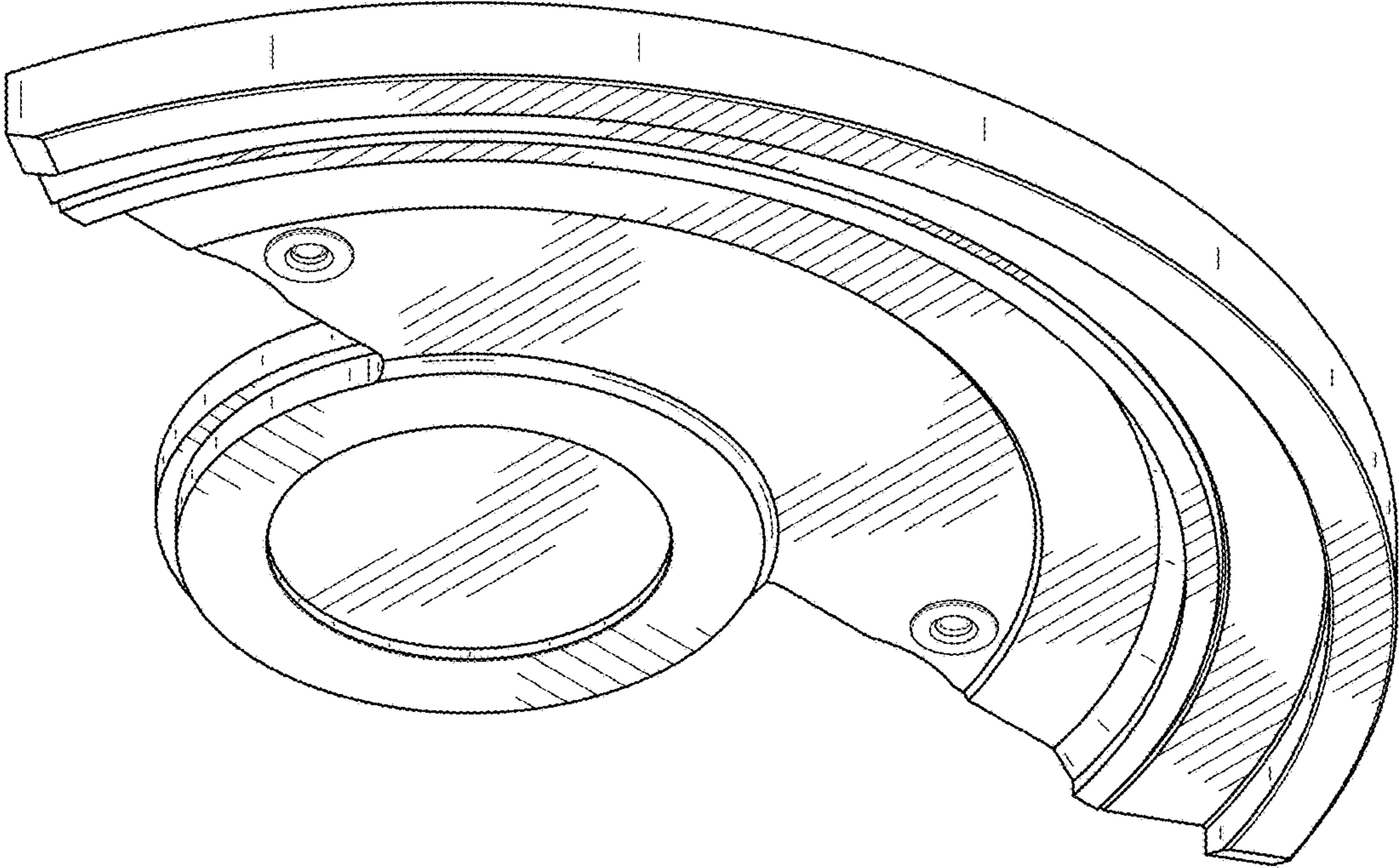


FIG. 2

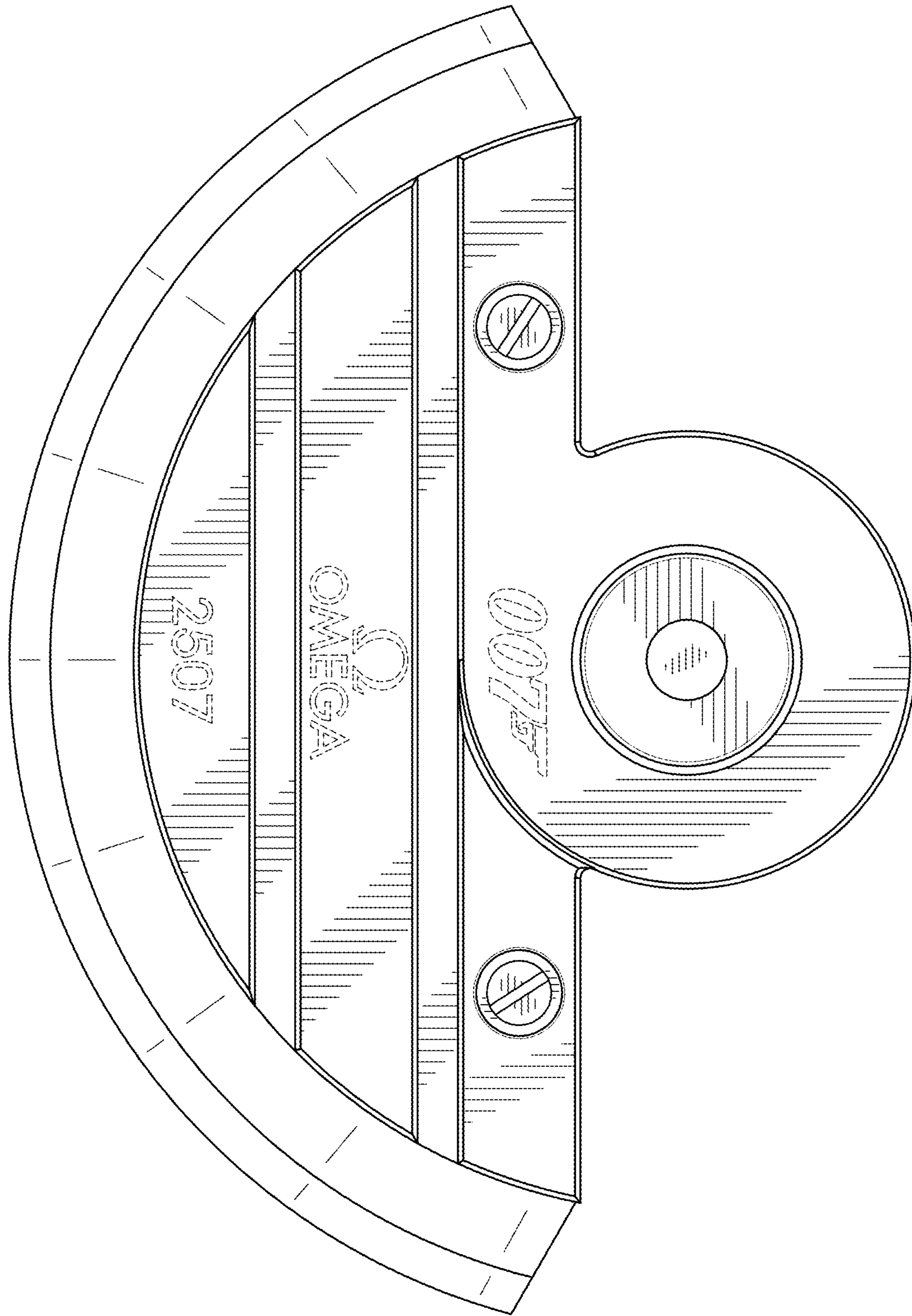


FIG. 3

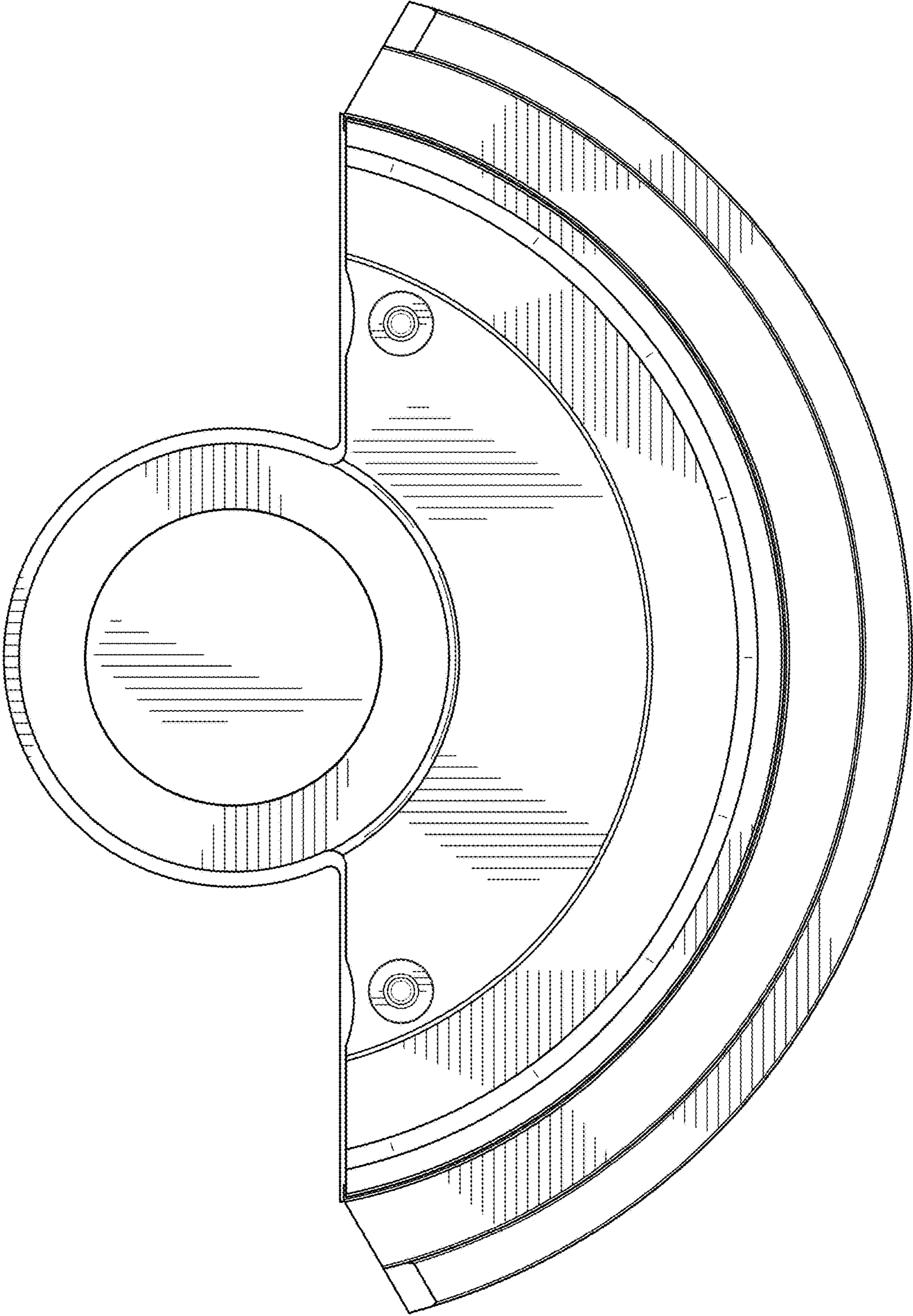


FIG. 4

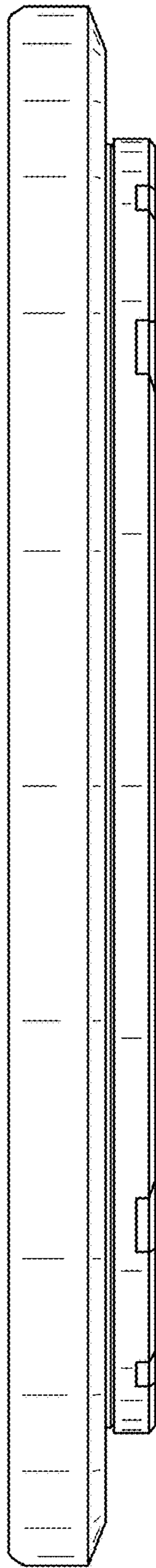


FIG. 5

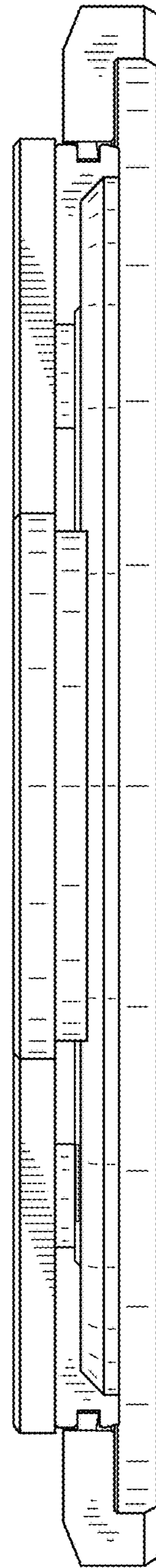


FIG. 6

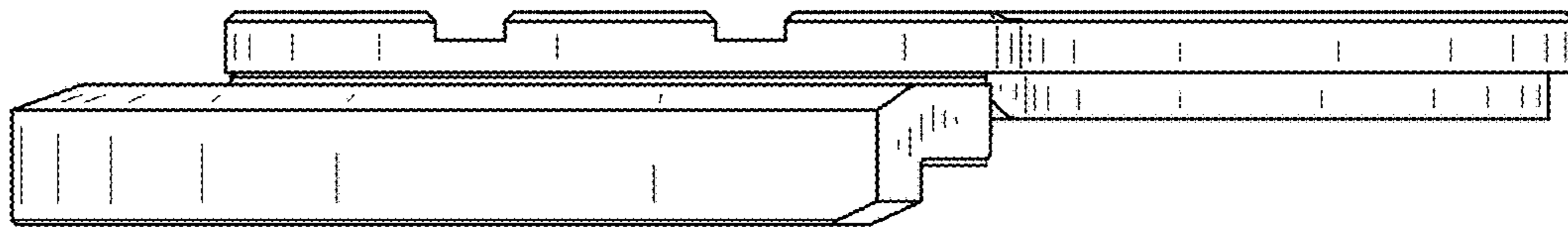


FIG. 7

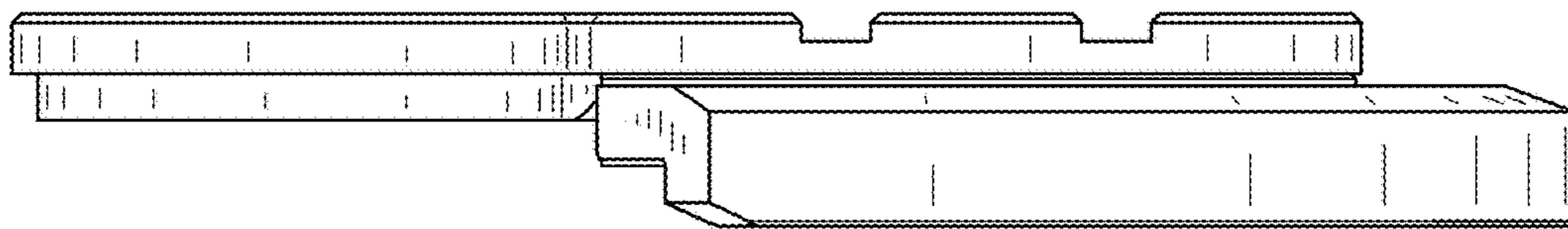


FIG. 8