



US00D816528S

(12) **United States Design Patent** (10) **Patent No.:** **US D816,528 S**
Wen (45) **Date of Patent:** **** May 1, 2018**

(54) **VIDEO DOORBELL**

(71) Applicant: **Lin Wen**, Fujian (CN)

(72) Inventor: **Lin Wen**, Fujian (CN)

(**) Term: **15 Years**

(21) Appl. No.: **29/601,866**

(22) Filed: **Apr. 26, 2017**

(51) **LOC (11) Cl.** **10-05**

(52) **U.S. Cl.**
USPC **D10/118.2**

(58) **Field of Classification Search**
USPC D10/104.1, 108, 116.1, 118, 118.2, 121,
D10/122-126; D16/202, 203, 208, 209,
D16/215; D13/171
CPC ... G08B 3/00; G08B 3/10; G08B 7/00; G08B
7/06

See application file for complete search history.

(56) **References Cited**

U.S. PATENT DOCUMENTS

D636,007 S * 4/2011 Peng D16/202
D636,424 S * 4/2011 Lin D16/202
D730,421 S * 5/2015 Huang D16/202
D741,932 S * 10/2015 Huang D16/202

D768,014 S * 10/2016 Yang D10/118.2
D768,015 S * 10/2016 Yang D10/118.2
D772,749 S * 11/2016 Parker D10/118.2
D782,354 S * 3/2017 Lovin D10/101
D793,264 S * 8/2017 Ye D10/118.2
D793,265 S * 8/2017 Ye D10/118.2
D794,488 S * 8/2017 Ye D10/118.2
D802,644 S * 11/2017 Lee D16/202

* cited by examiner

Primary Examiner — George D. Kirschbaum

Assistant Examiner — Joseph J Kukella

(74) *Attorney, Agent, or Firm* — Jen-Feng Lee, Esq.

(57) **CLAIM**

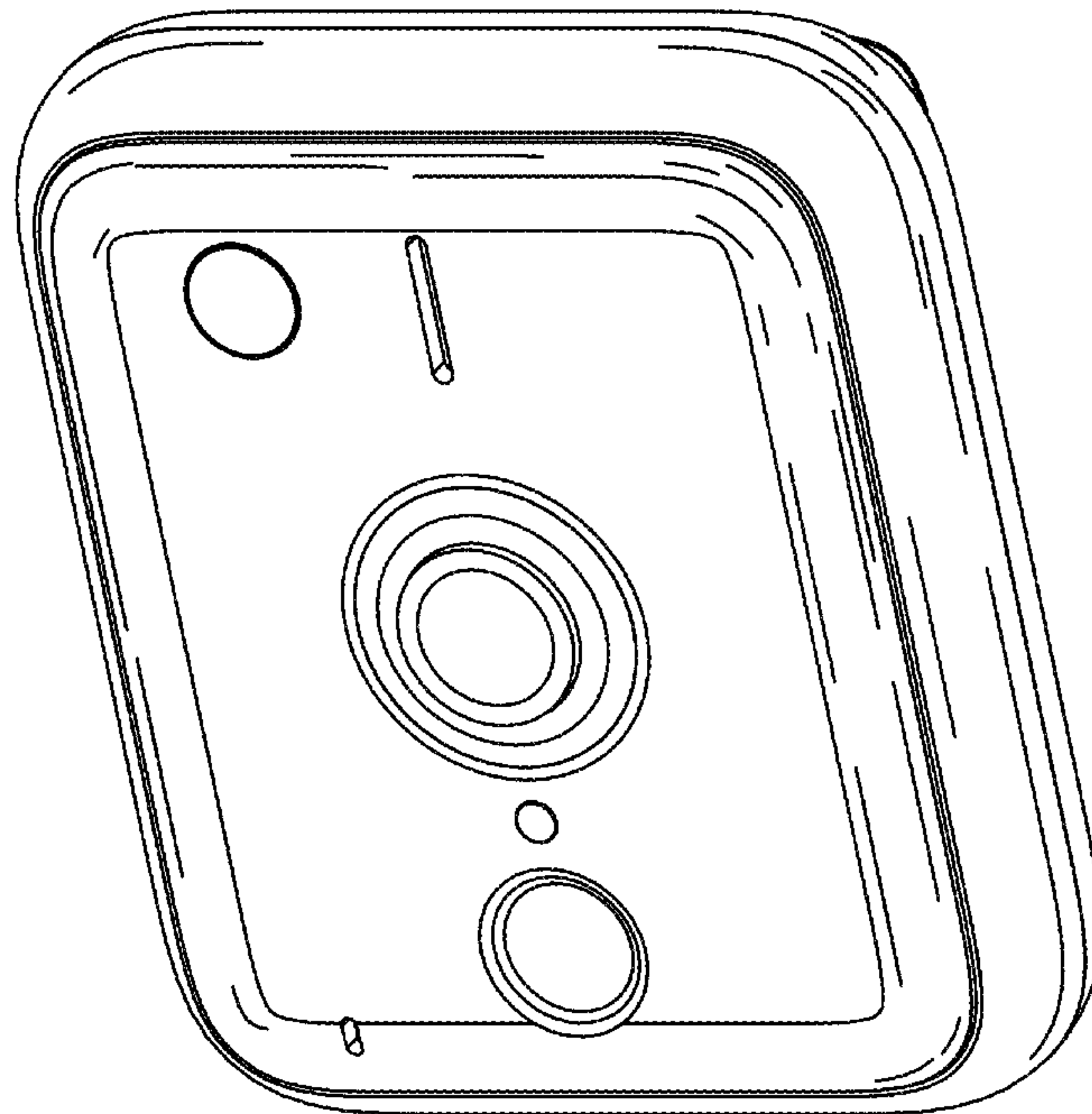
I claim the ornamental design for a video doorbell, as shown and described.

DESCRIPTION

FIG. 1 is a front perspective view of a video doorbell showing my new design,
FIG. 2 is a front view thereof,
FIG. 3 is a rear view thereof,
FIG. 4 is a right side view thereof,
FIG. 5 is a left side view thereof,
FIG. 6 is a top view thereof; and,
FIG. 7 is a bottom view thereof.

In the drawings, the broken lines depict environmental subject matter only and form no part of the claimed design.

1 Claim, 7 Drawing Sheets



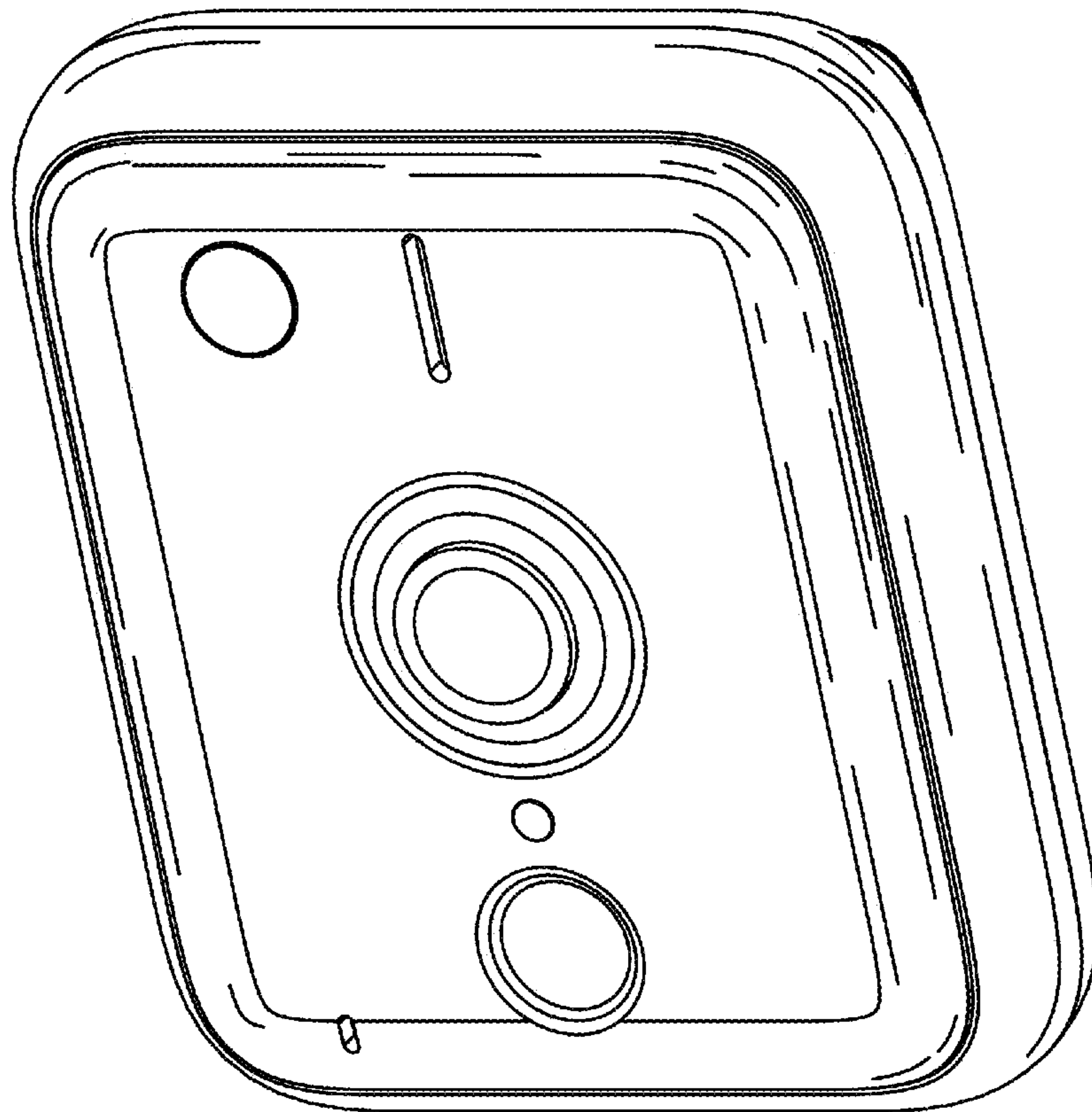


FIG 1

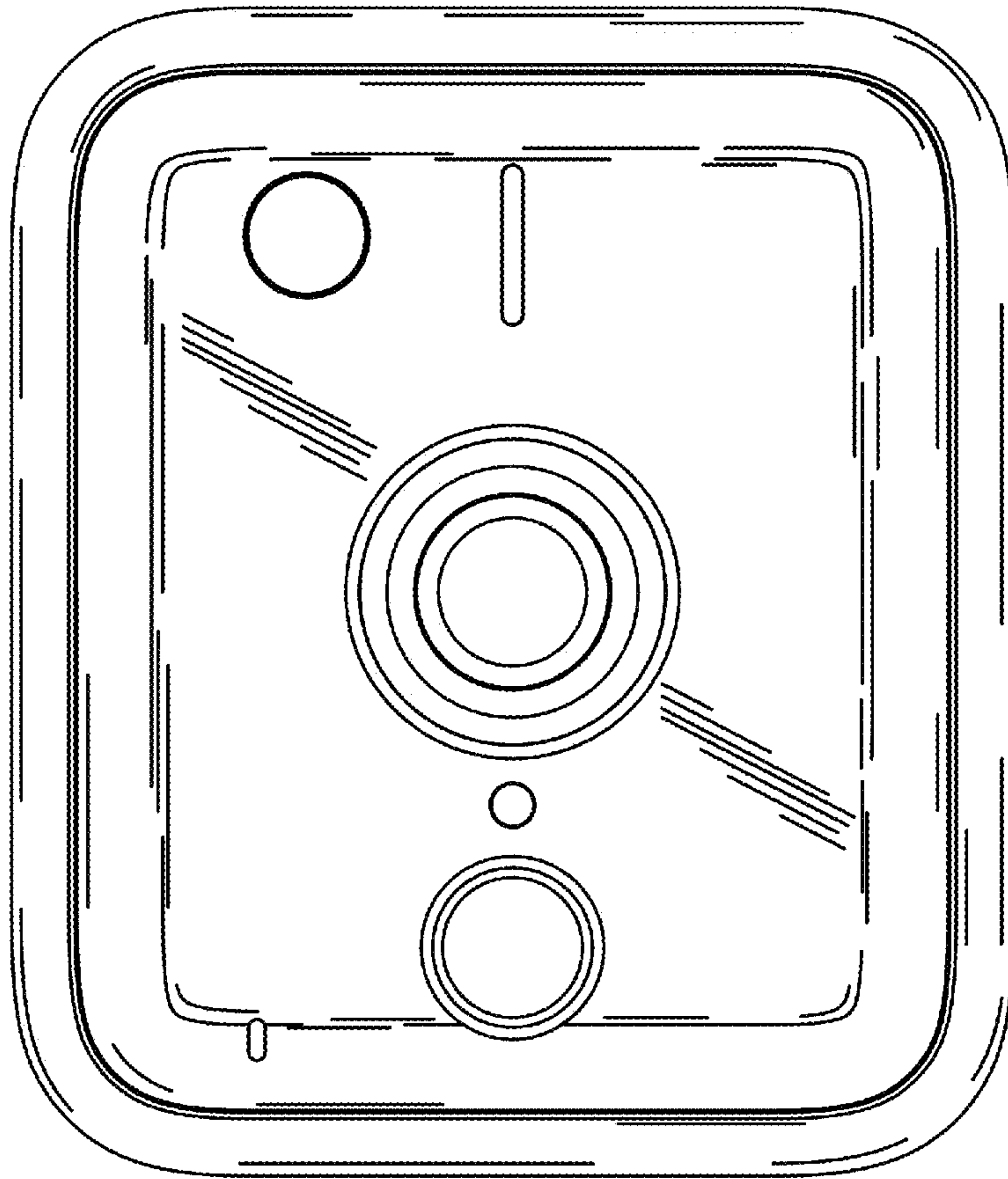


FIG 2

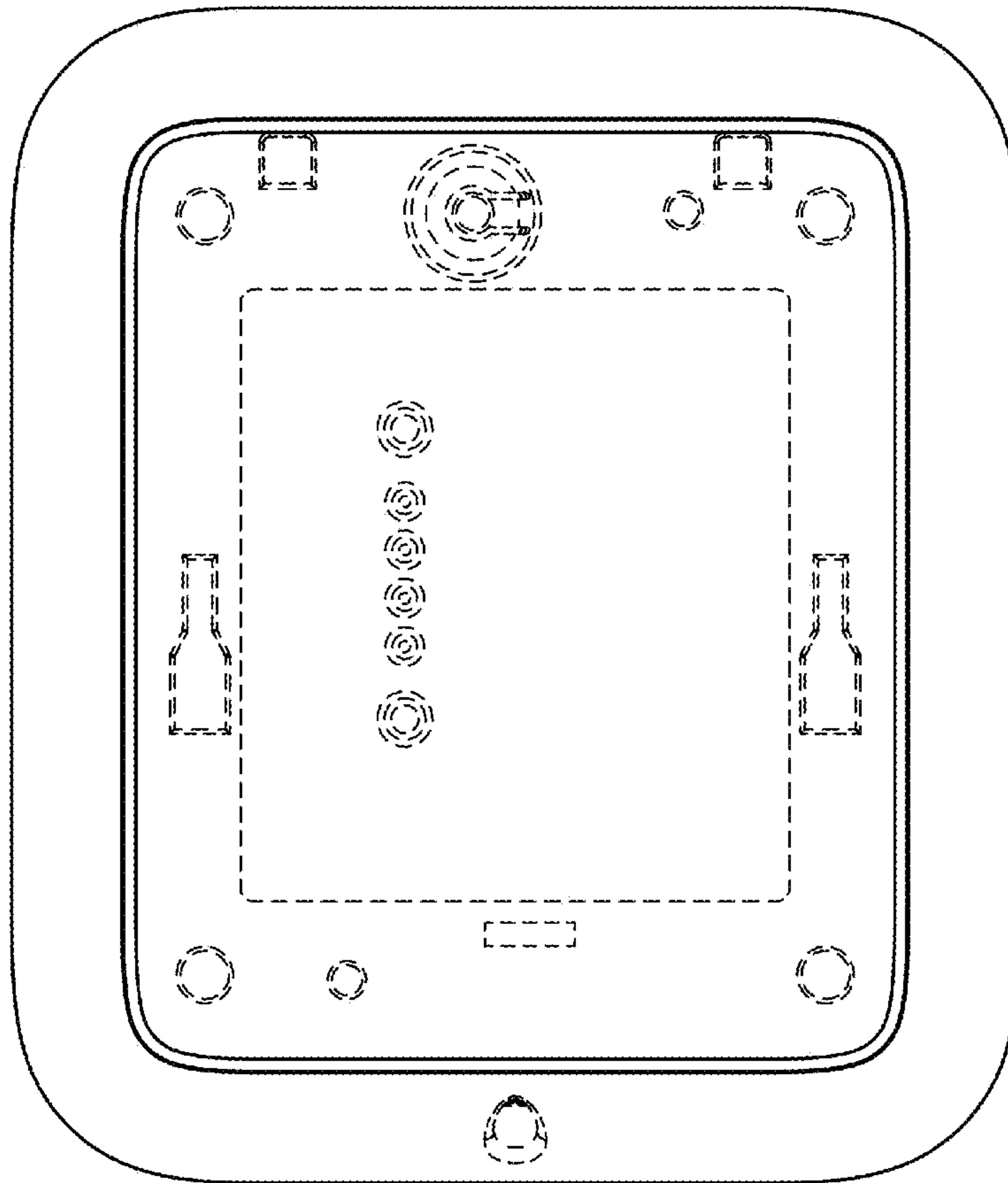


FIG 3

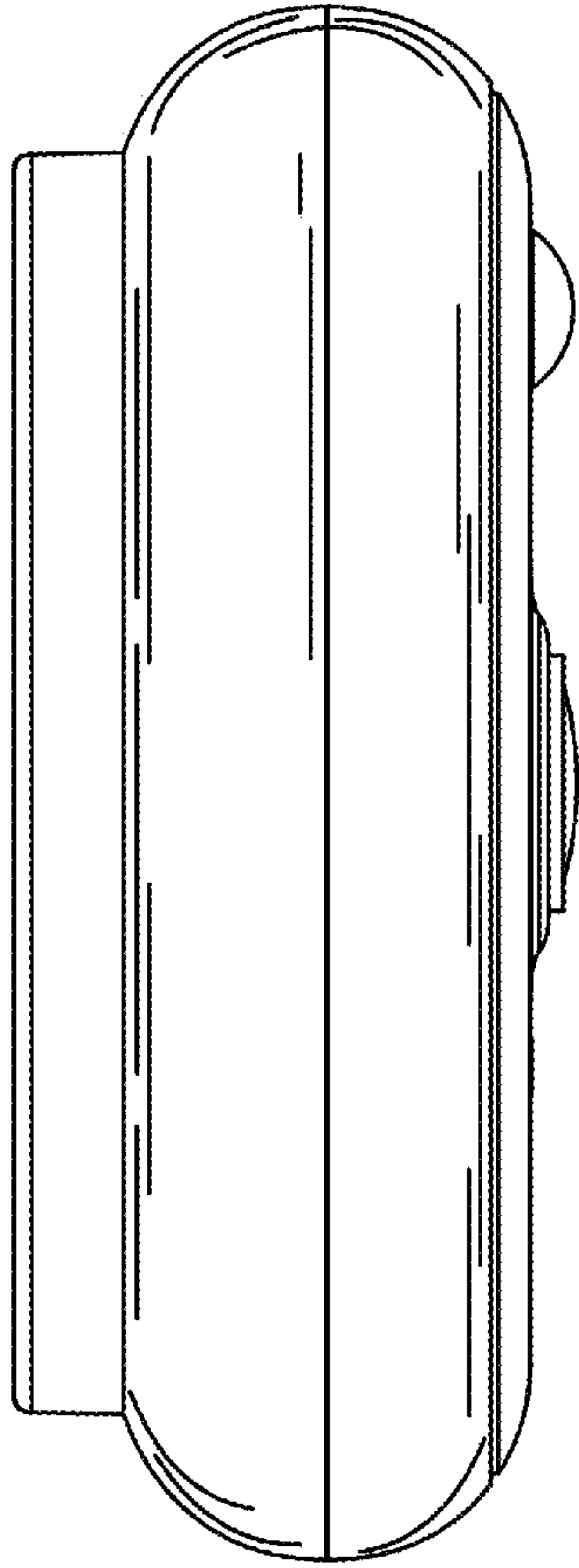


FIG 4

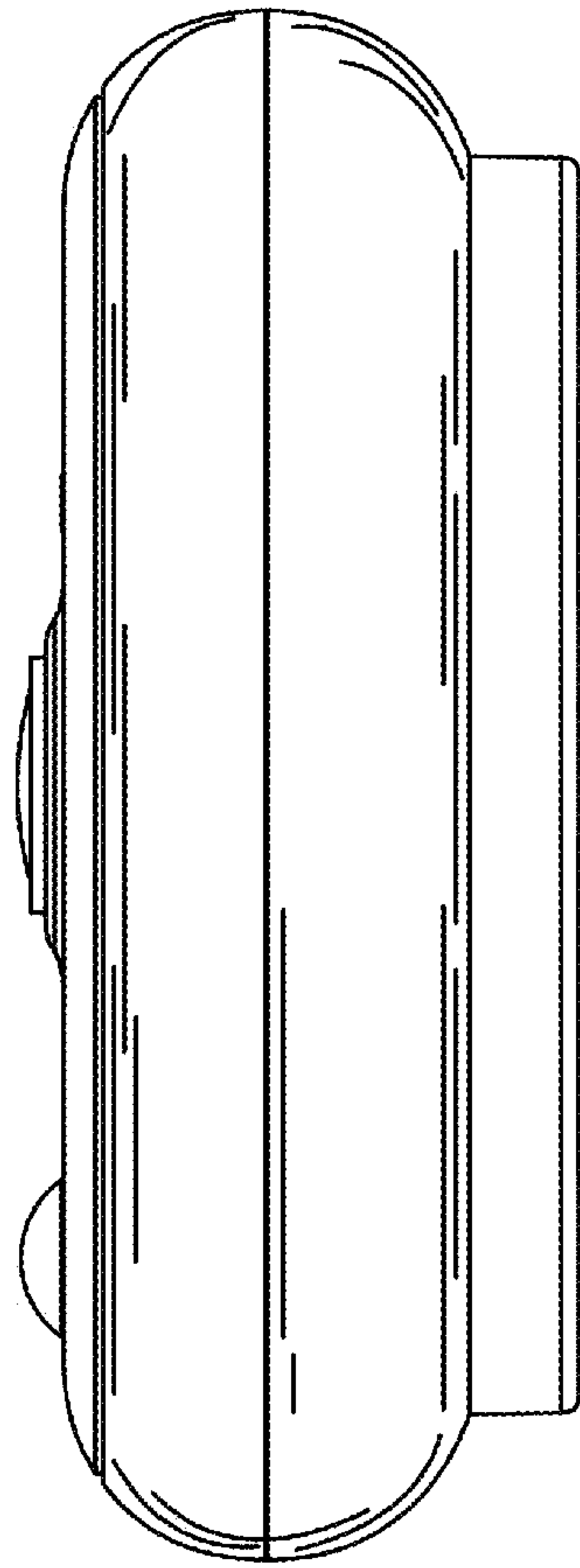


FIG 5



FIG 6

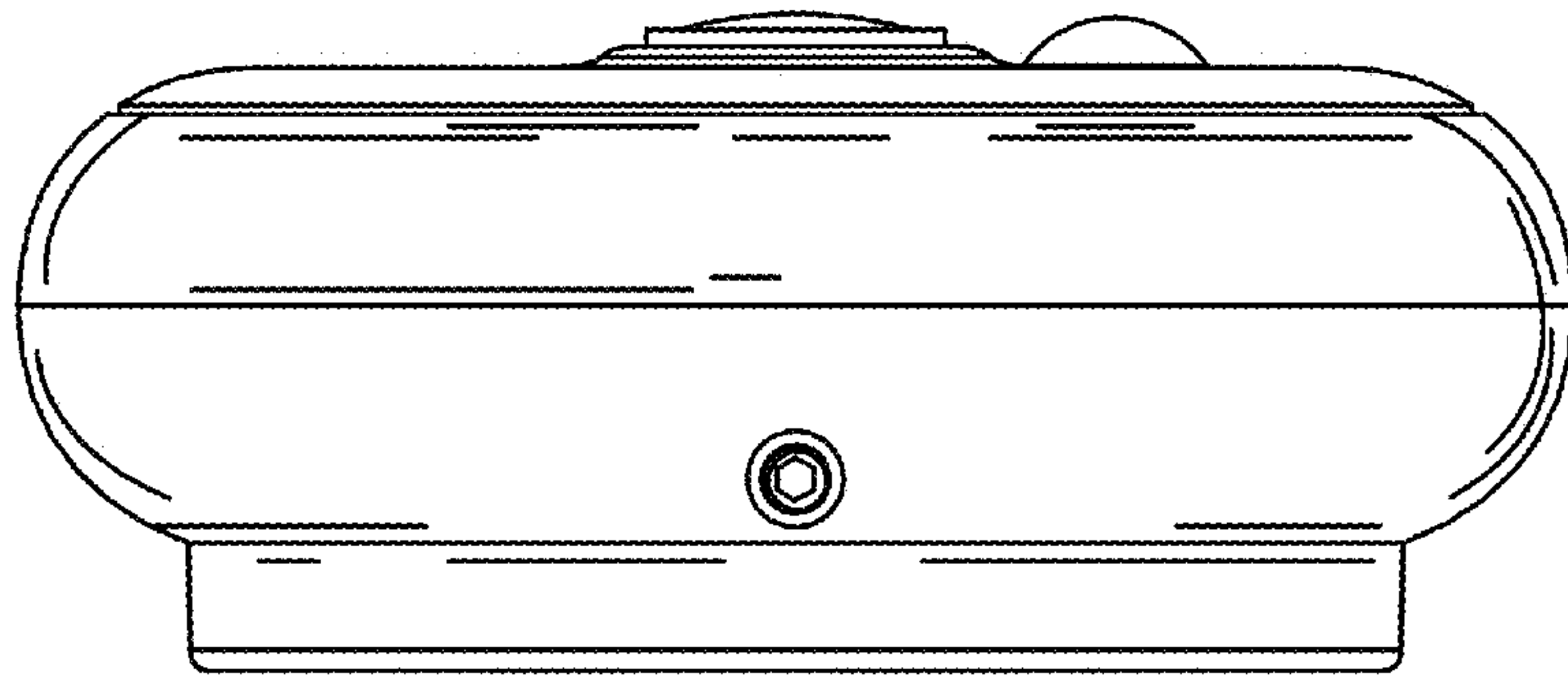


FIG 7