



US00D816526S

(12) **United States Design Patent**
Chang

(10) **Patent No.:** **US D816,526 S**

(45) **Date of Patent:** **** May 1, 2018**

(54) **COUNTERFEIT CURRENCY DETECTOR**

(71) Applicant: **Top Vending Machine Electronics Co., Ltd.**, Taoyuan (TW)

(72) Inventor: **Yuan-Fong Chang**, Taoyuan (TW)

(73) Assignee: **Top Vending Machine Electronics Co., Ltd.**, Taoyuan (TW)

(**) Term: **15 Years**

(21) Appl. No.: **29/587,534**

(22) Filed: **Dec. 14, 2016**

(51) **LOC (11) Cl.** **10-04**

(52) **U.S. Cl.**
USPC **D10/97; D10/46**

(58) **Field of Classification Search**
USPC D10/46, 49, 97; D18/3.3
CPC G07D 7/00; G07D 7/003; G07D 7/0032;
G07D 7/0034; G07D 7/004; G07D
7/0043; G07D 7/0047; G07D 7/005;
G07D 7/0051; G07D 7/0053; G07D
7/0054; G07D 7/0055; G07D 7/0056;
G07D 7/0057; G07D 7/01; G07D 7/02;
G07D 7/023; G07D 7/026; G07D 7/04;
G07D 7/06; G07D 7/08; G07D 7/10;
G07D 7/12; G07D 7/1205; G07D 7/121;
G07D 7/128; G07D 7/14; G07D 7/15;
G07D 7/16; G07D 7/162; G07D 7/164;
G07D 7/17; G07D 7/181; G07D 7/182;
G07D 7/183; G07D 7/184; G07D 7/185;
G07D 7/187; G07D 7/189; G07D 7/20;
G07D 7/2008; G07D 7/2016; G07D
7/202; G07D 7/2033; G07D 7/2041;
G07D 7/205; G07D 7/206; G07D 7/207;

G07D 7/2075; G07D 7/2083; G07D
7/2091; G07D 2207/00; G07D 2211/00

See application file for complete search history.

(56) **References Cited**

U.S. PATENT DOCUMENTS

3,618,765 A * 11/1971 Cooper G07D 7/04
209/534
5,495,929 A * 3/1996 Batalianets G07D 7/04
194/207
D457,453 S * 5/2002 Ogawa D10/97

* cited by examiner

Primary Examiner — Antoine Duval Davis

(74) *Attorney, Agent, or Firm* — Alan D. Kamrath;
Kamrath IP Lawfirm, P.A.

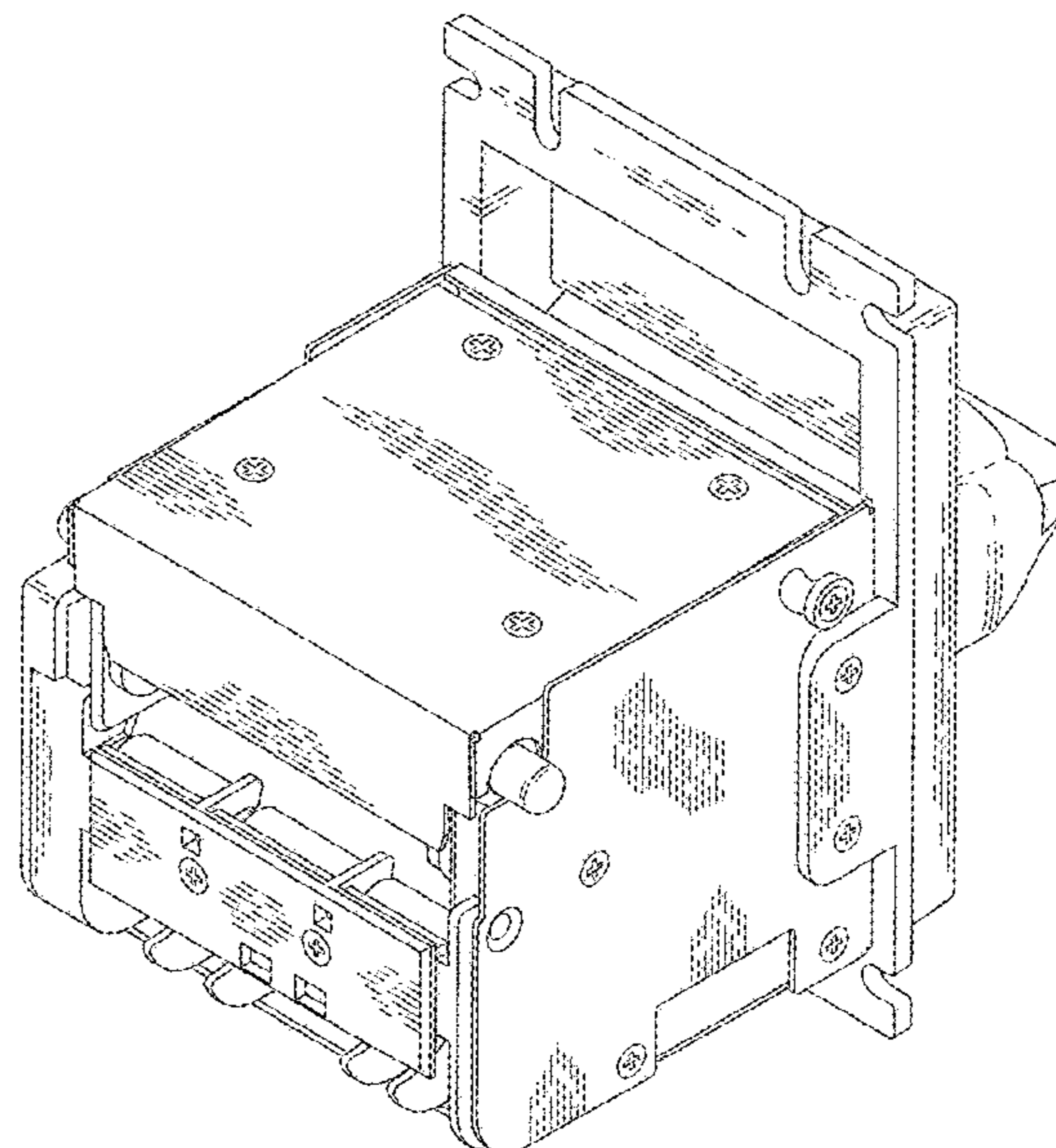
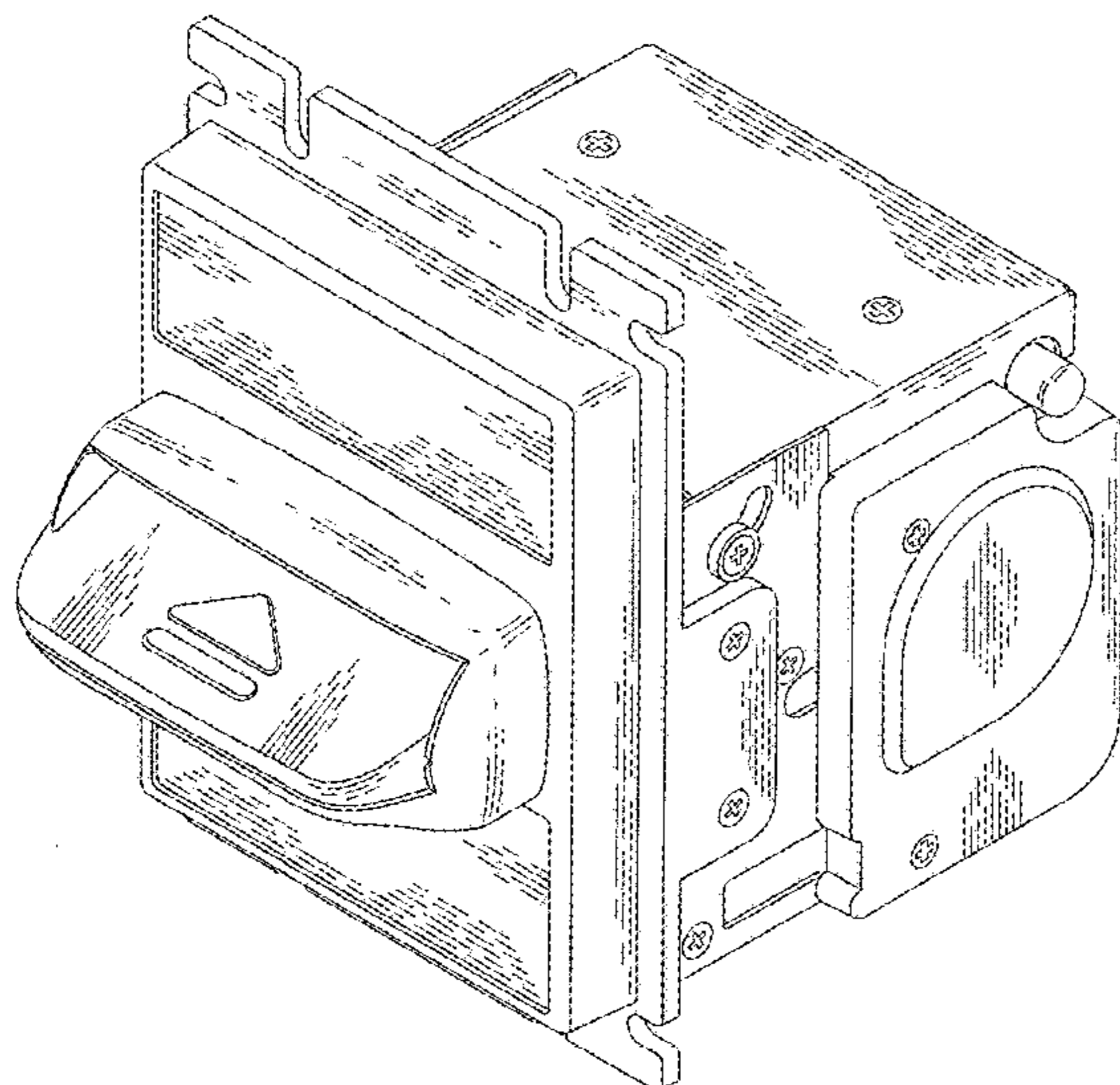
(57) **CLAIM**

The ornamental design for a counterfeit currency detector, as shown and described.

DESCRIPTION

FIG. 1 is a front, top, perspective view of a counterfeit currency detector showing my design;
FIG. 2 is a rear, top, perspective view thereof;
FIG. 3, is a front, bottom, perspective view thereof;
FIG. 4 is a front elevational view thereof;
FIG. 5 is a rear elevational view thereof;
FIG. 6 is a left elevational view thereof;
FIG. 7 is a right elevational view thereof;
FIG. 8 is a top plan view thereof; and,
FIG. 9 is a bottom plan view thereof.

1 Claim, 9 Drawing Sheets



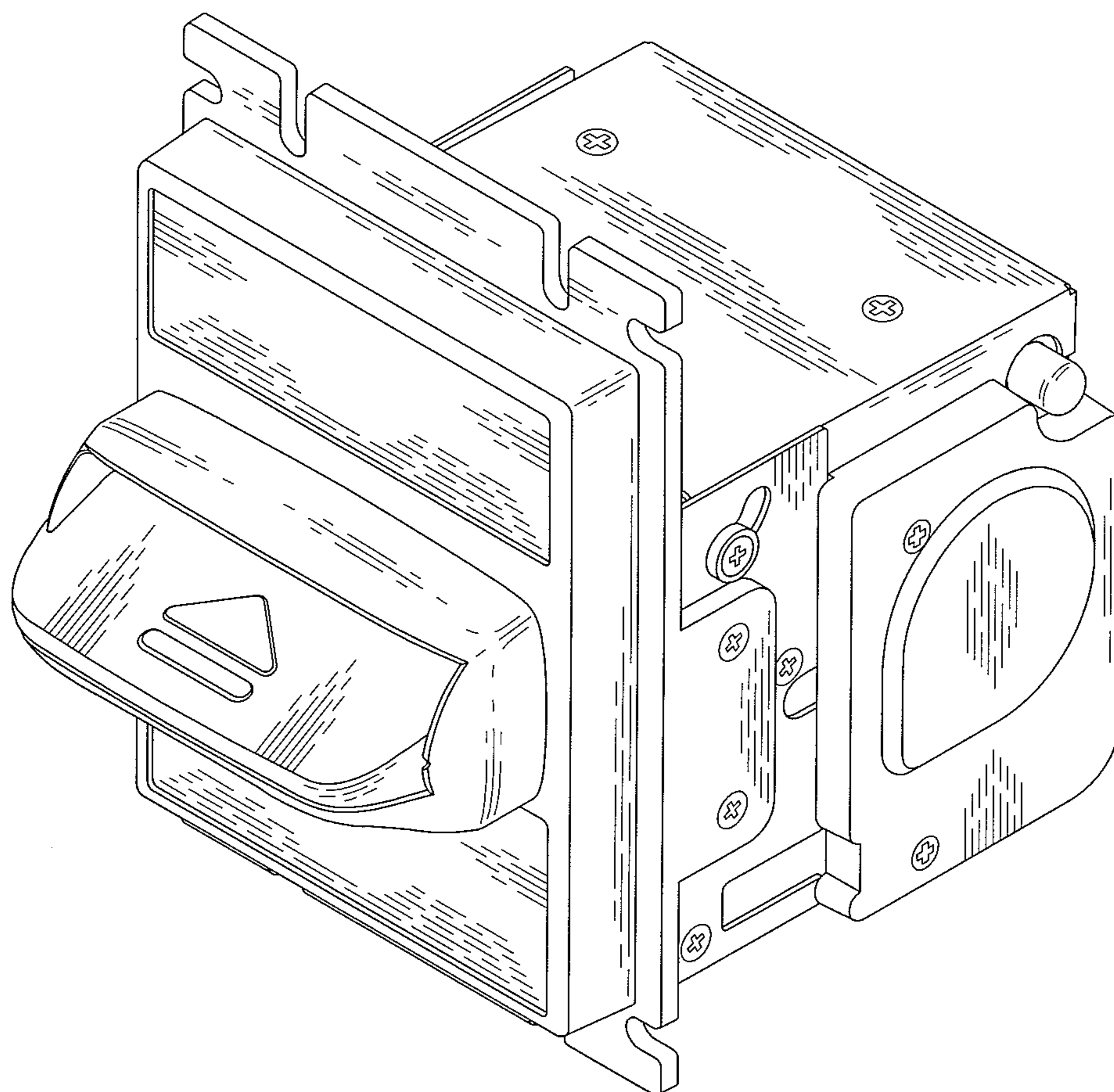


FIG. 1

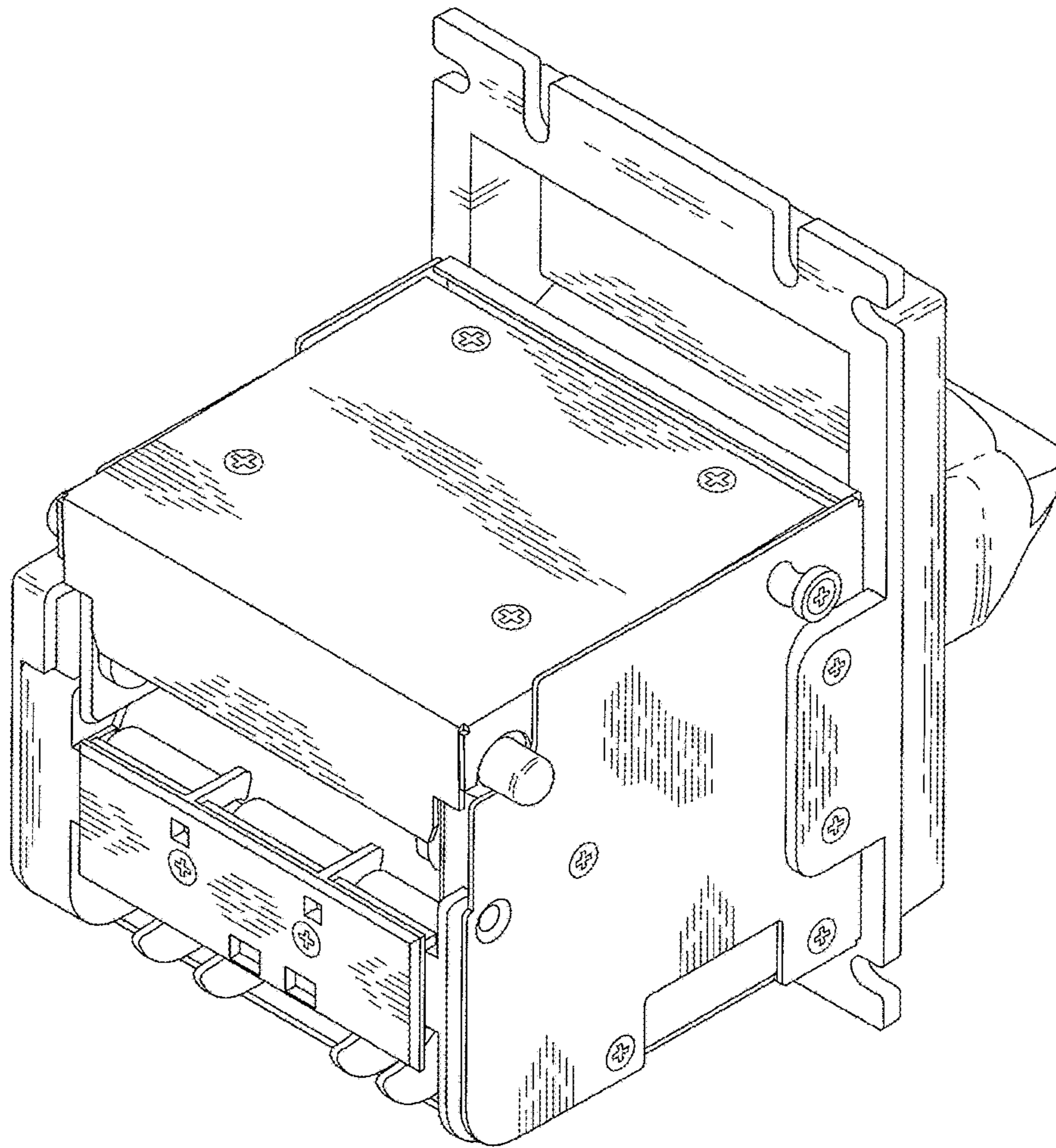


FIG. 2

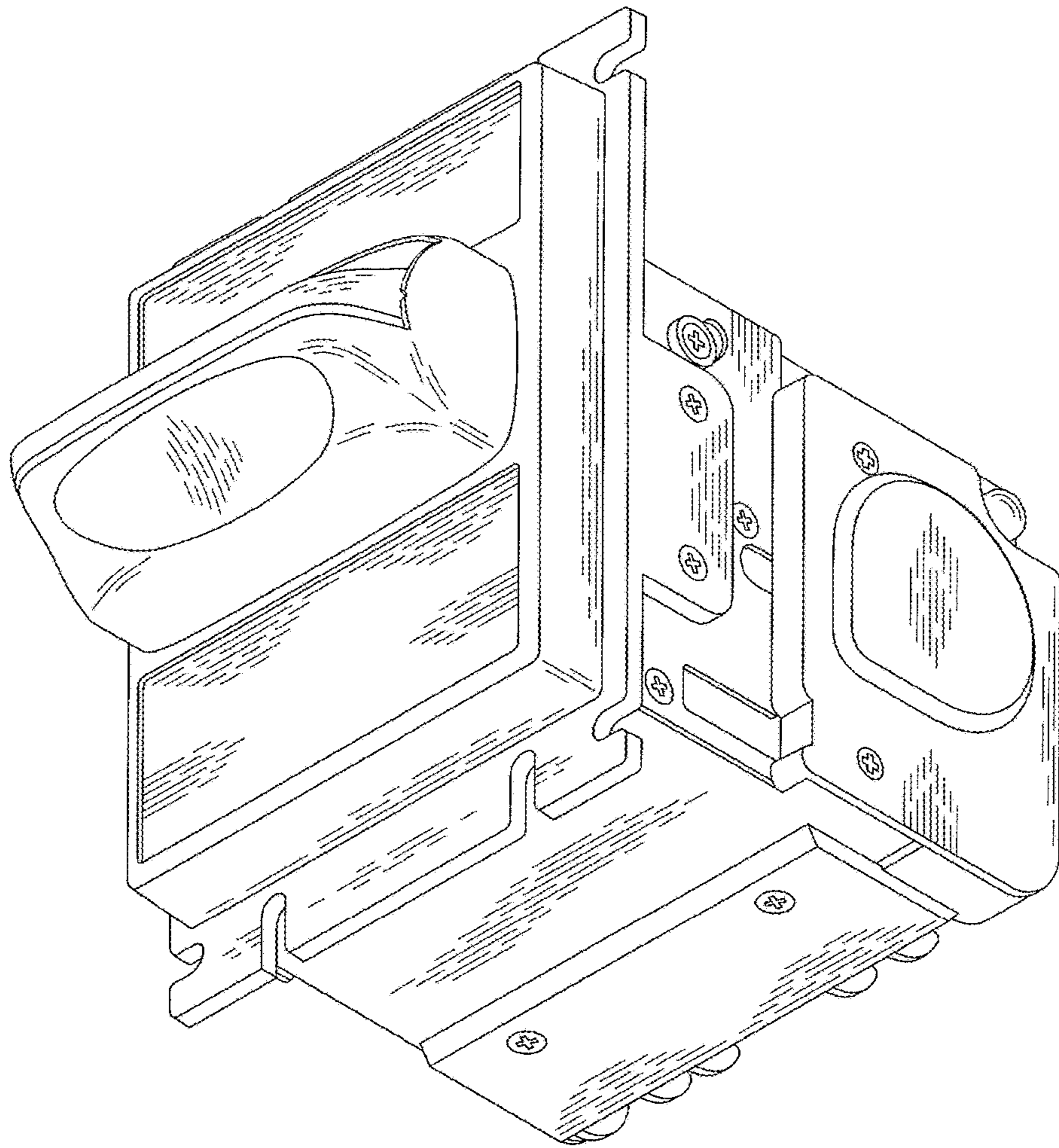


FIG. 3

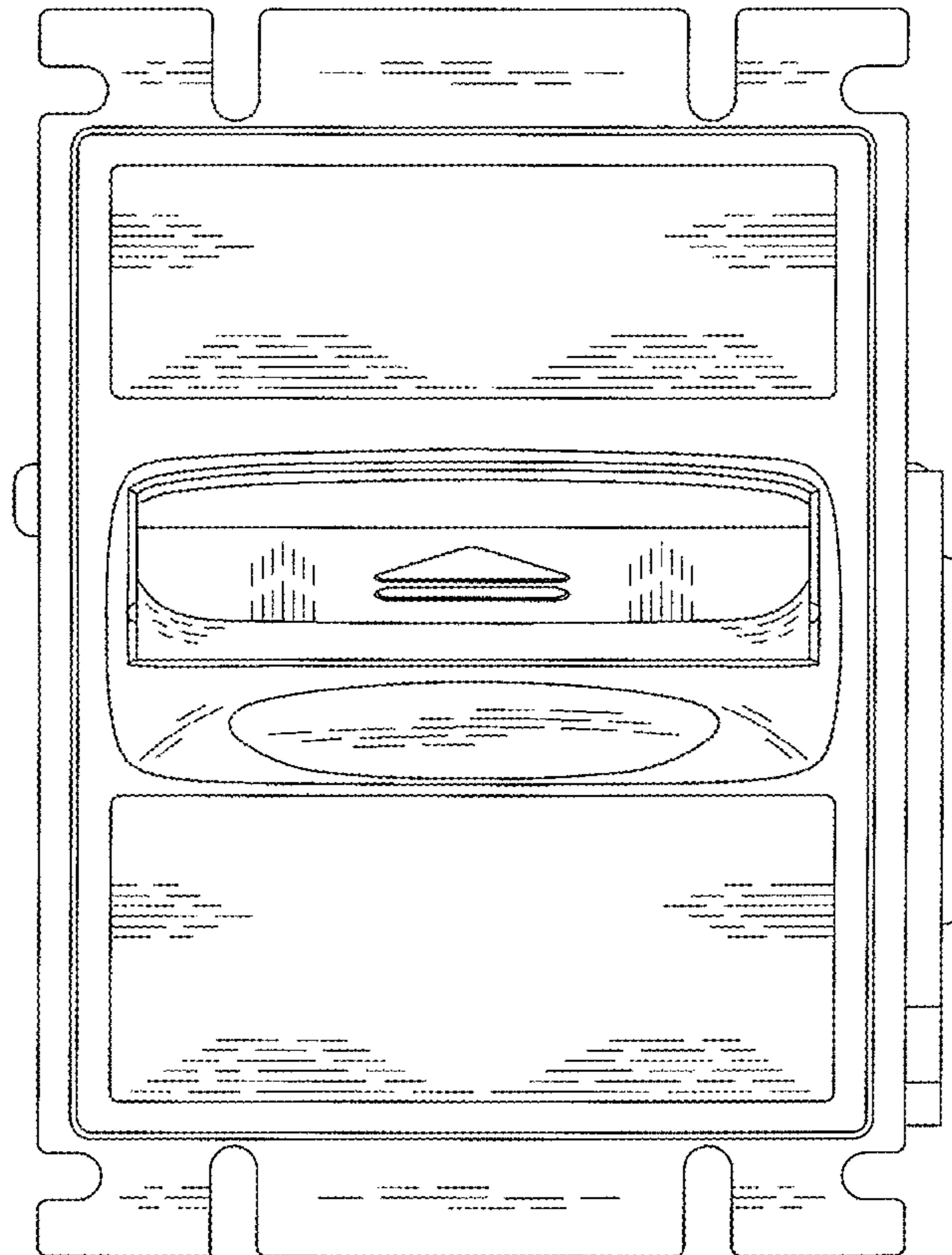


FIG. 4

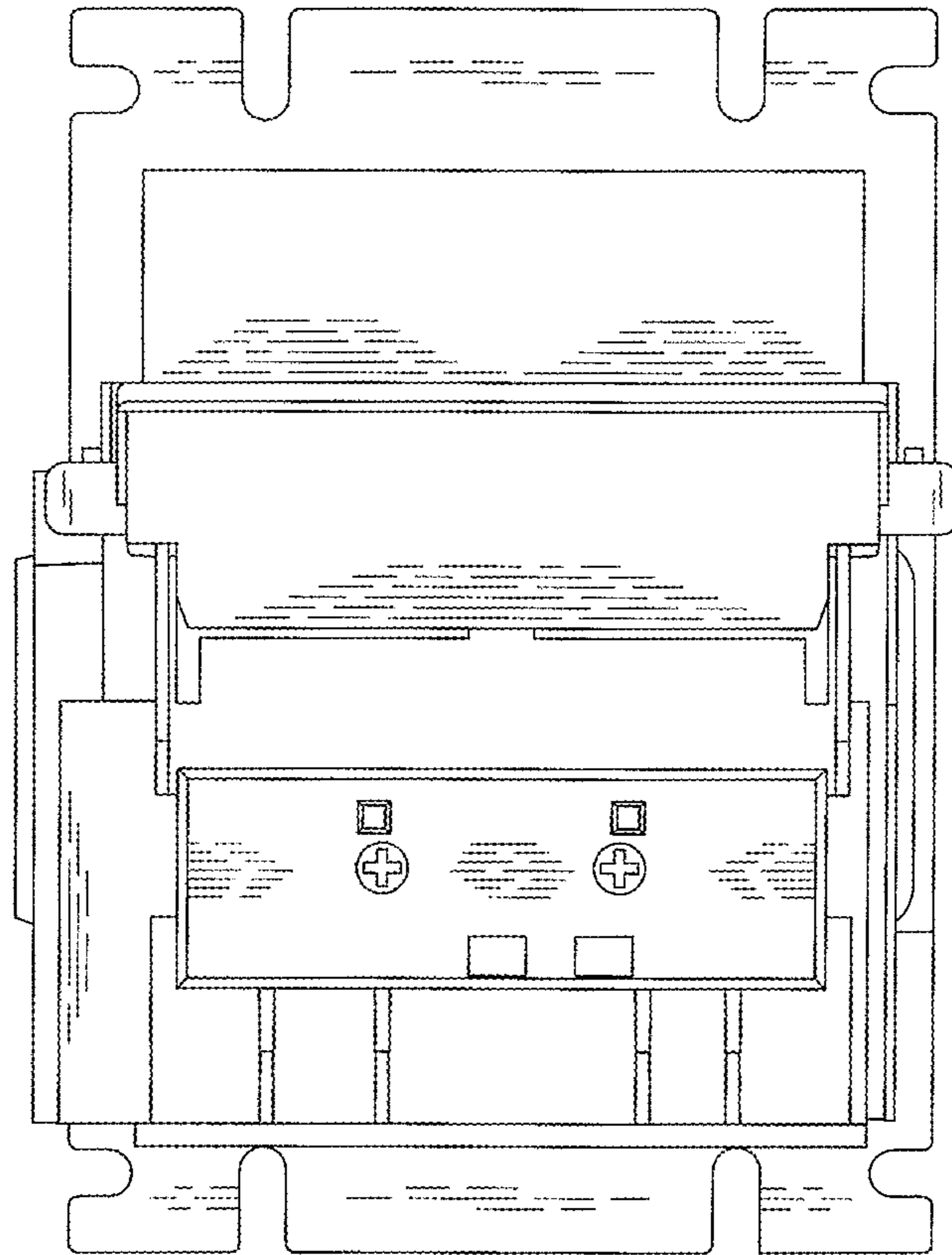


FIG. 5

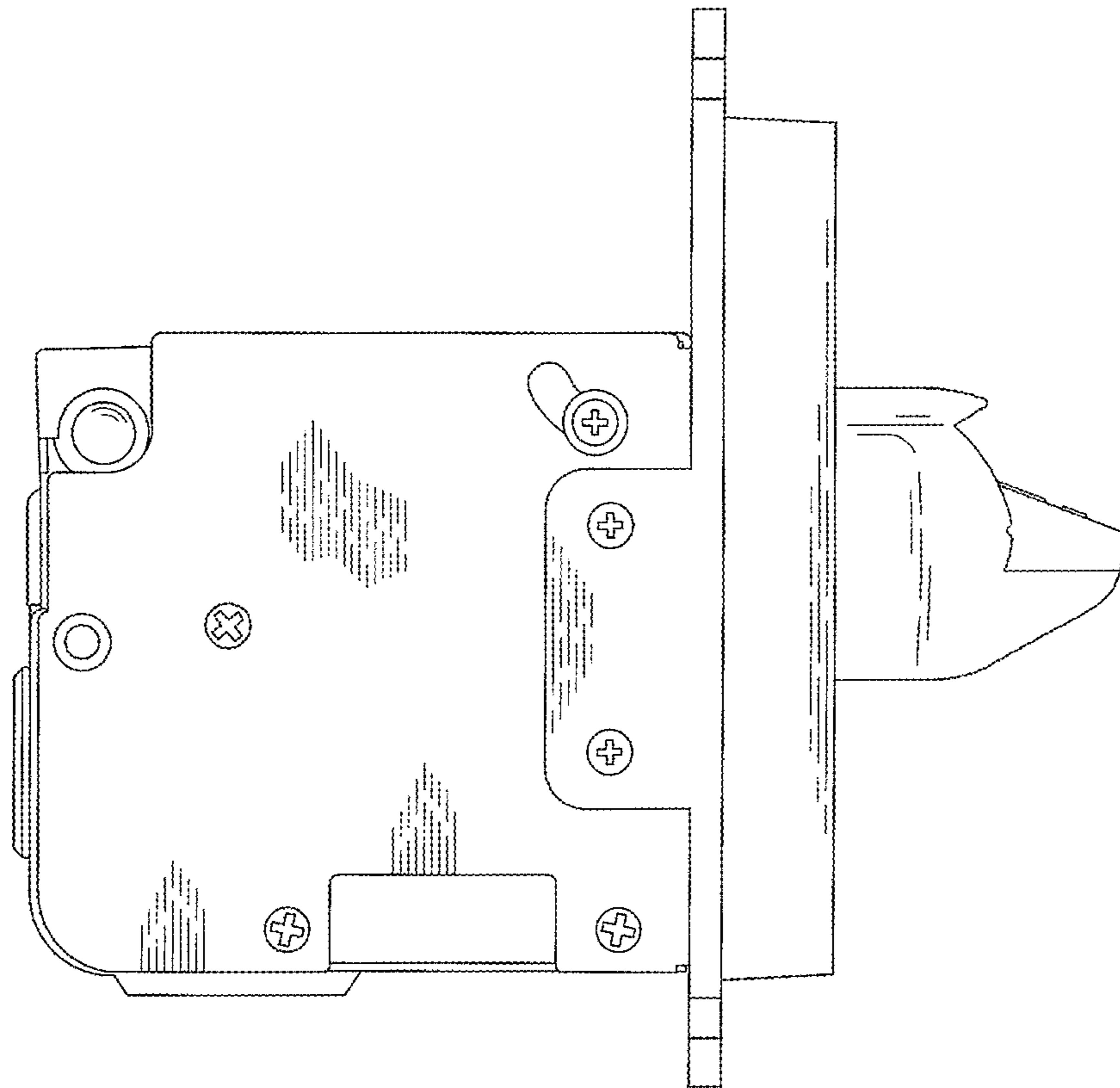


FIG. 6

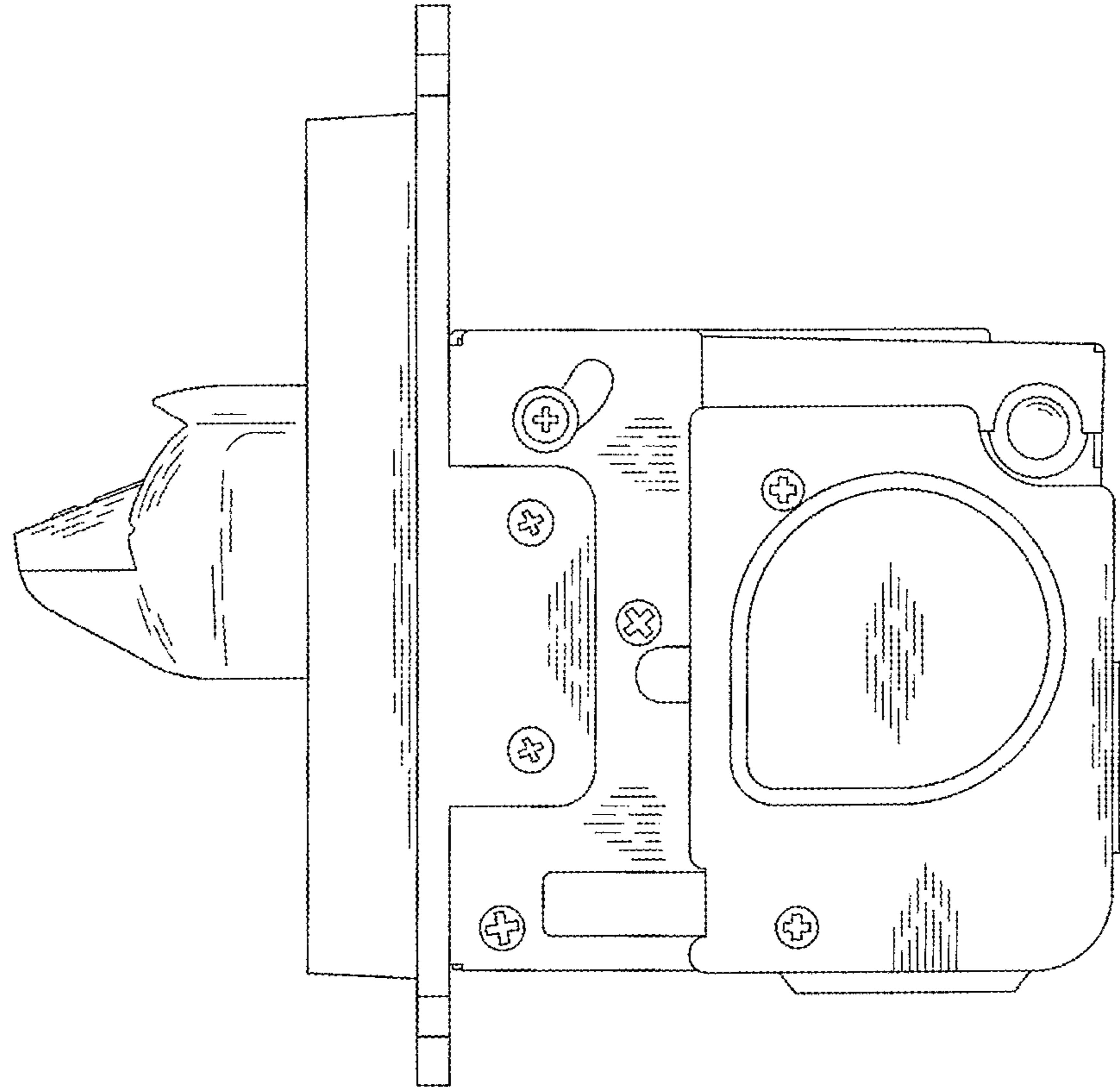


FIG. 7

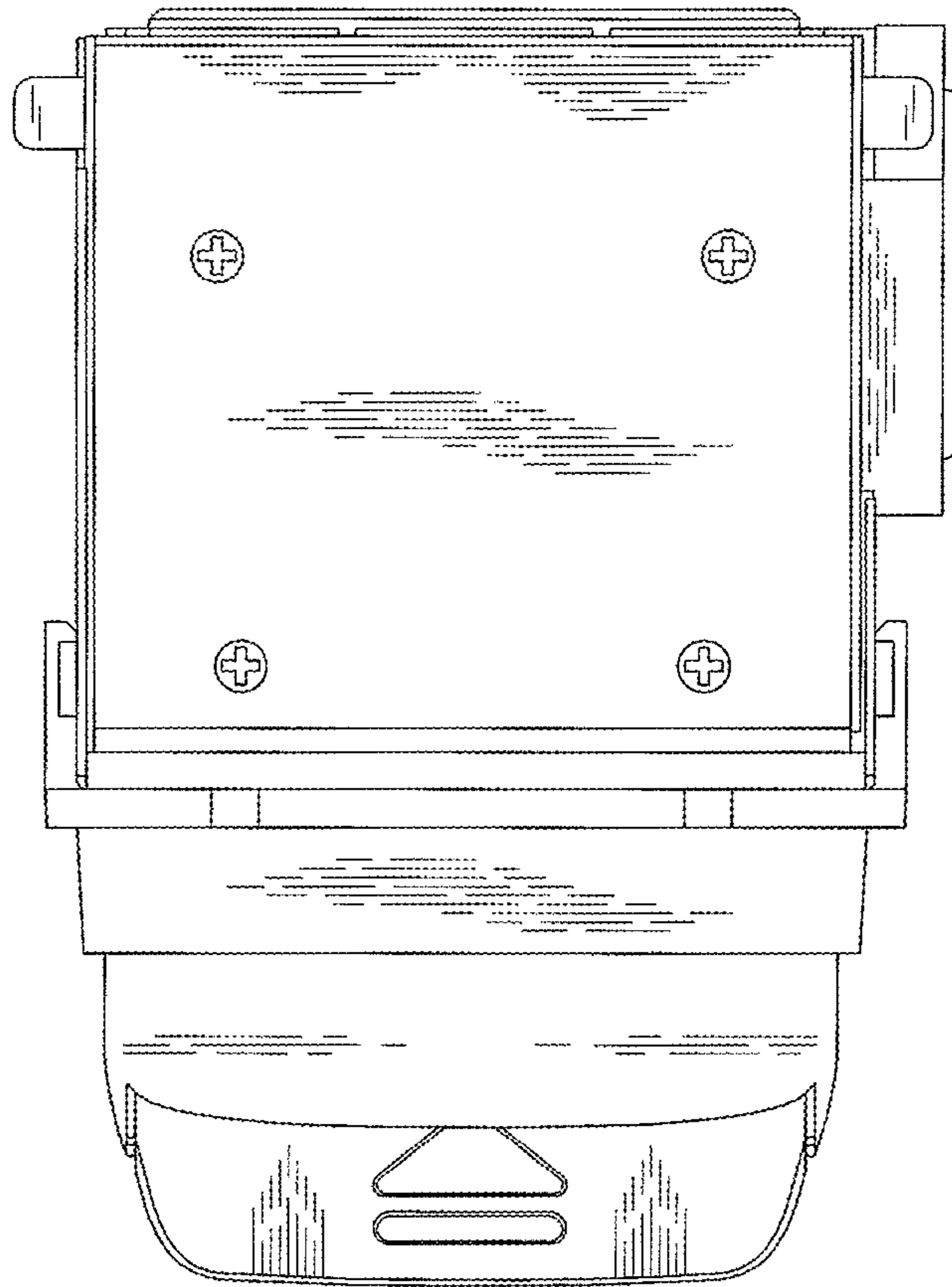


FIG. 8

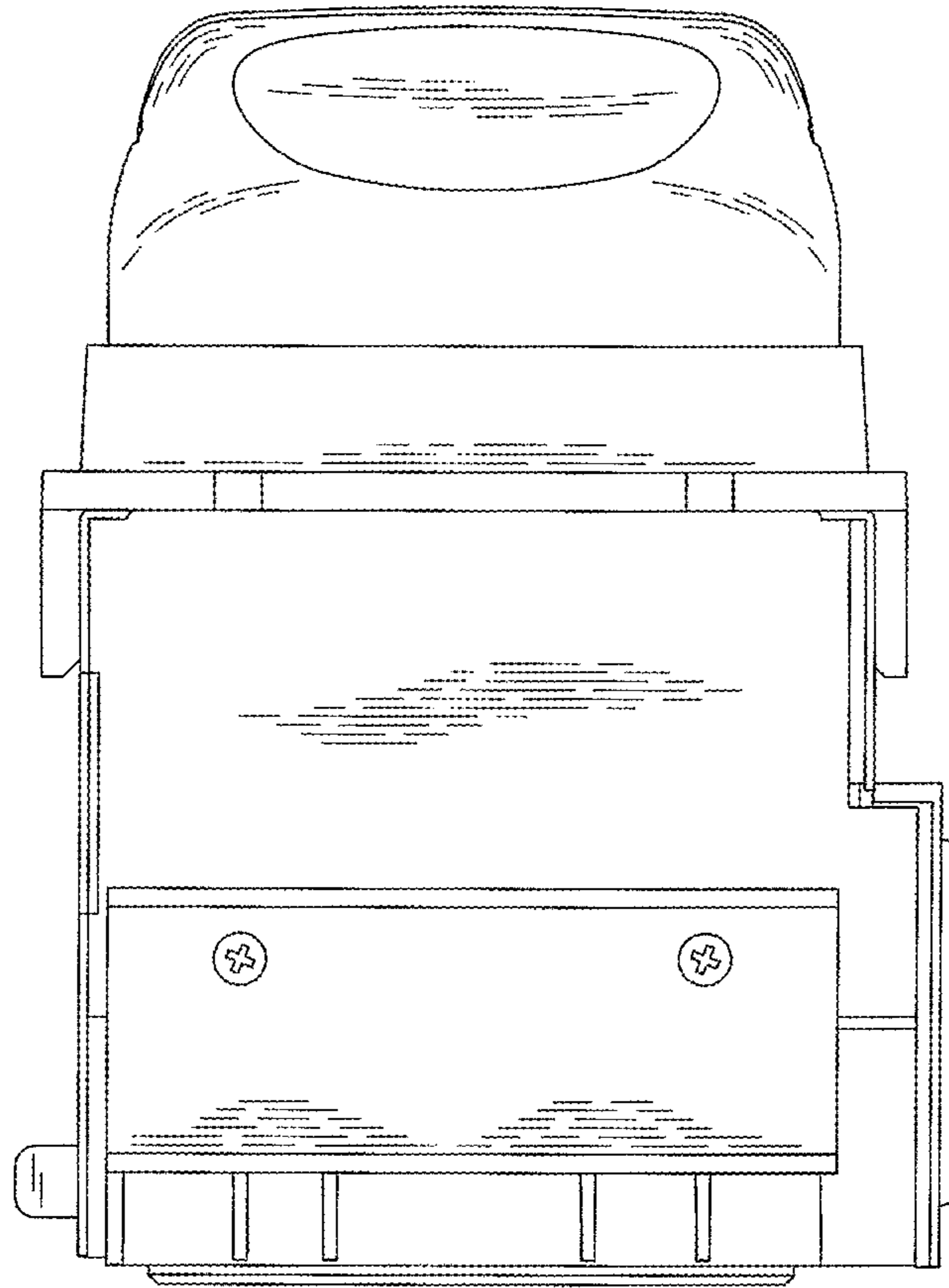


FIG. 9