



US00D816525S

(12) **United States Design Patent** (10) **Patent No.:** **US D816,525 S**  
**Sawai et al.** (45) **Date of Patent:** **\*\* May 1, 2018**

(54) **PRESSURE SENSITIVE SENSOR**  
(71) Applicant: **Hokuriku Electric Industry Co., Ltd.**,  
Toyama-shi, Toyama (JP)  
(72) Inventors: **Tsutomu Sawai**, Toyama (JP); **Hiroki Hayashi**, Toyama (JP)  
(73) Assignee: **HOKURIKU ELECTRIC INDUSTRY CO., LTD.**, Toyama-Shi (JP)

D518,002 S \* 3/2006 Johanneck ..... D13/171  
D664,876 S \* 8/2012 Krumpe ..... D10/106.6  
D679,813 S \* 4/2013 Ashkenazi ..... D24/167  
D701,242 S \* 3/2014 Lee ..... D14/502  
D715,858 S \* 10/2014 Chinitz ..... D19/62  
(Continued)

**FOREIGN PATENT DOCUMENTS**

JP 2003240796 A \* 8/2003  
WO 2015/199228 12/2015  
WO WO-2015199228 A1 \* 12/2015 ..... G01L 1/18

(\*\*) Term: **15 Years**

**OTHER PUBLICATIONS**

(21) Appl. No.: **29/593,181**

Canon Pressure Sensitive Sensors, posted on canon-kasei.co.jp, no posted date given, no production date given, [online], [site visited Nov. 7, 2017], Available from Internet, URL: <http://www.canon-kasei.co.jp/en/sensor.html> (Year: 2017).\*

(22) Filed: **Feb. 7, 2017**

(Continued)

(30) **Foreign Application Priority Data**

Aug. 9, 2016 (JP) ..... 2016-17062

(51) **LOC (11) Cl.** ..... **10-04**

(52) **U.S. Cl.**  
USPC ..... **D10/85**; D10/83

(58) **Field of Classification Search**  
USPC ..... D10/46, 47, 49, 50, 57, 61, 70, 71,  
D10/82-87, 90, 97, 100-102, 104.1,  
D10/106.2, 106.6, 106.8, 106.9, 106.95,  
D10/116.1, 118.2, 121, 122, 125, 126;  
D16/237, 238, 239, 248; D21/398, 405;  
D24/107, 232; D99/99  
CPC ..... F21V 23/0442; Y10S 250/01; Y10S  
362/802; G08B 19/00; G08B 29/16  
See application file for complete search history.

*Primary Examiner* — Melanie H Tung  
*Assistant Examiner* — Fritzgerald L Butac  
(74) *Attorney, Agent, or Firm* — Rankin, Hill & Clark  
LLP

(57) **CLAIM**

The ornamental design for a pressure sensitive sensor, as shown and described.

**DESCRIPTION**

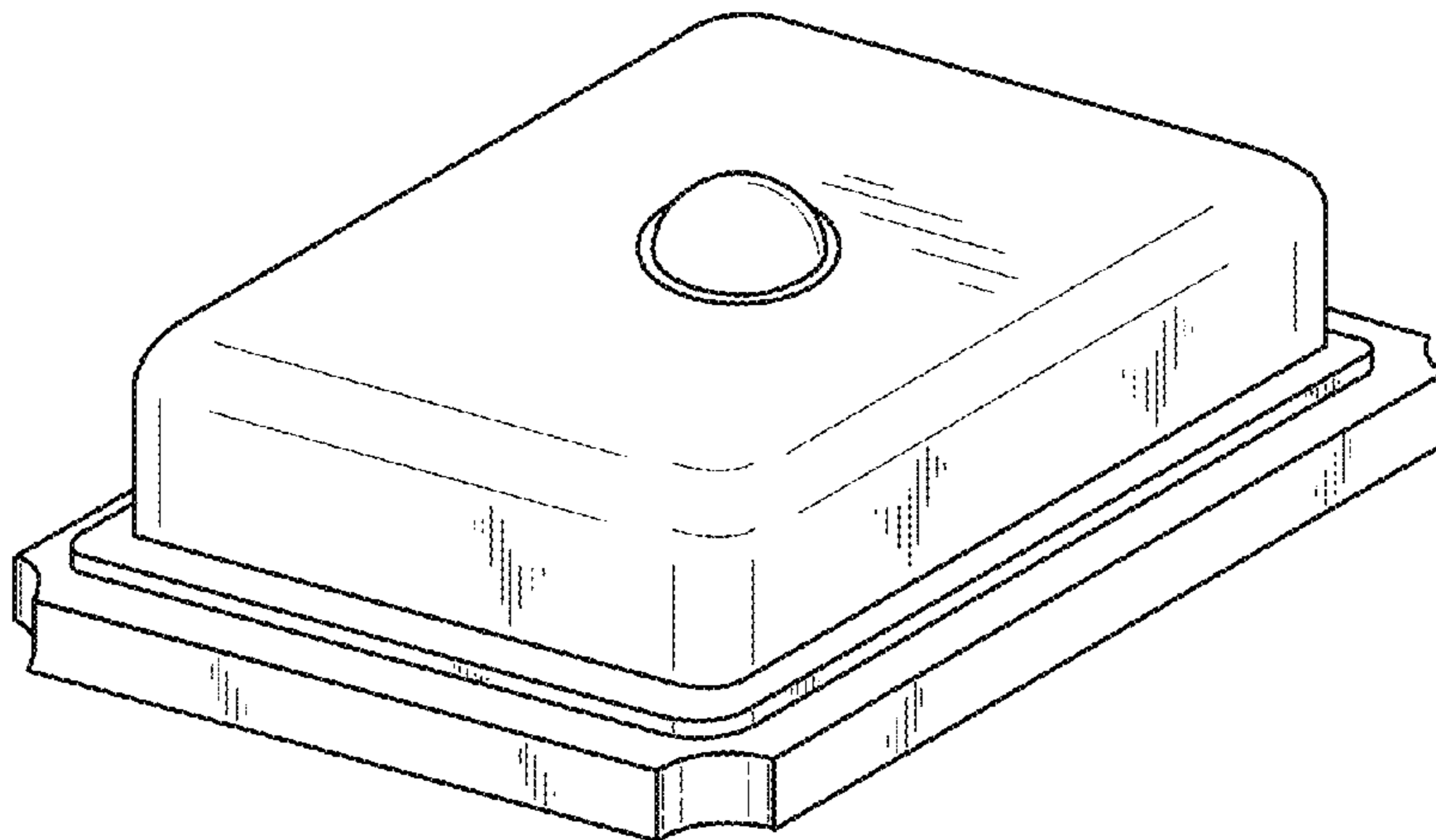
FIG. 1 is a perspective view of a pressure sensitive sensor; FIG. 2 is a front side elevation view thereof; FIG. 3 is a rear side elevation view thereof; FIG. 4 is a right side elevation view thereof; FIG. 5 is a left side elevation view thereof; FIG. 6 is a top plan view thereof; and, FIG. 7 is a bottom view thereof. The broken lines in the drawings depict portions of the pressure sensitive sensor that form no part of the claimed design.

(56) **References Cited**

**U.S. PATENT DOCUMENTS**

D258,577 S \* 3/1981 Bottner ..... D10/104.1  
D312,219 S \* 11/1990 Pratt ..... D10/101  
D350,493 S \* 9/1994 Gottlieb ..... D10/104.1  
D373,546 S \* 9/1996 Imahori ..... D10/116.1  
D453,119 S \* 1/2002 Tsuchikiri ..... D10/116.1

**1 Claim, 4 Drawing Sheets**



(56)

**References Cited**

U.S. PATENT DOCUMENTS

D724,970 S \* 3/2015 Hasegawa ..... D10/65  
 D728,395 S \* 5/2015 Roberts ..... D10/104.1  
 D730,301 S \* 5/2015 Sakai ..... D13/168  
 D746,711 S \* 1/2016 Li ..... D10/106.1  
 D755,786 S \* 5/2016 Lapetina ..... D14/344  
 D759,012 S \* 6/2016 Golden ..... D10/50  
 D763,107 S \* 8/2016 Nielsen ..... D10/30  
 D764,952 S \* 8/2016 Virhia ..... D10/46  
 D764,953 S \* 8/2016 Virhia ..... D10/46  
 D768,519 S \* 10/2016 Wilkinson ..... D10/70  
 D782,926 S \* 4/2017 Hojo ..... D10/65  
 D784,321 S \* 4/2017 Eder ..... D14/299  
 D791,123 S \* 7/2017 Wieser ..... D14/300  
 D791,622 S \* 7/2017 Chang ..... D10/46  
 D799,479 S \* 10/2017 Wieser ..... D14/358

OTHER PUBLICATIONS

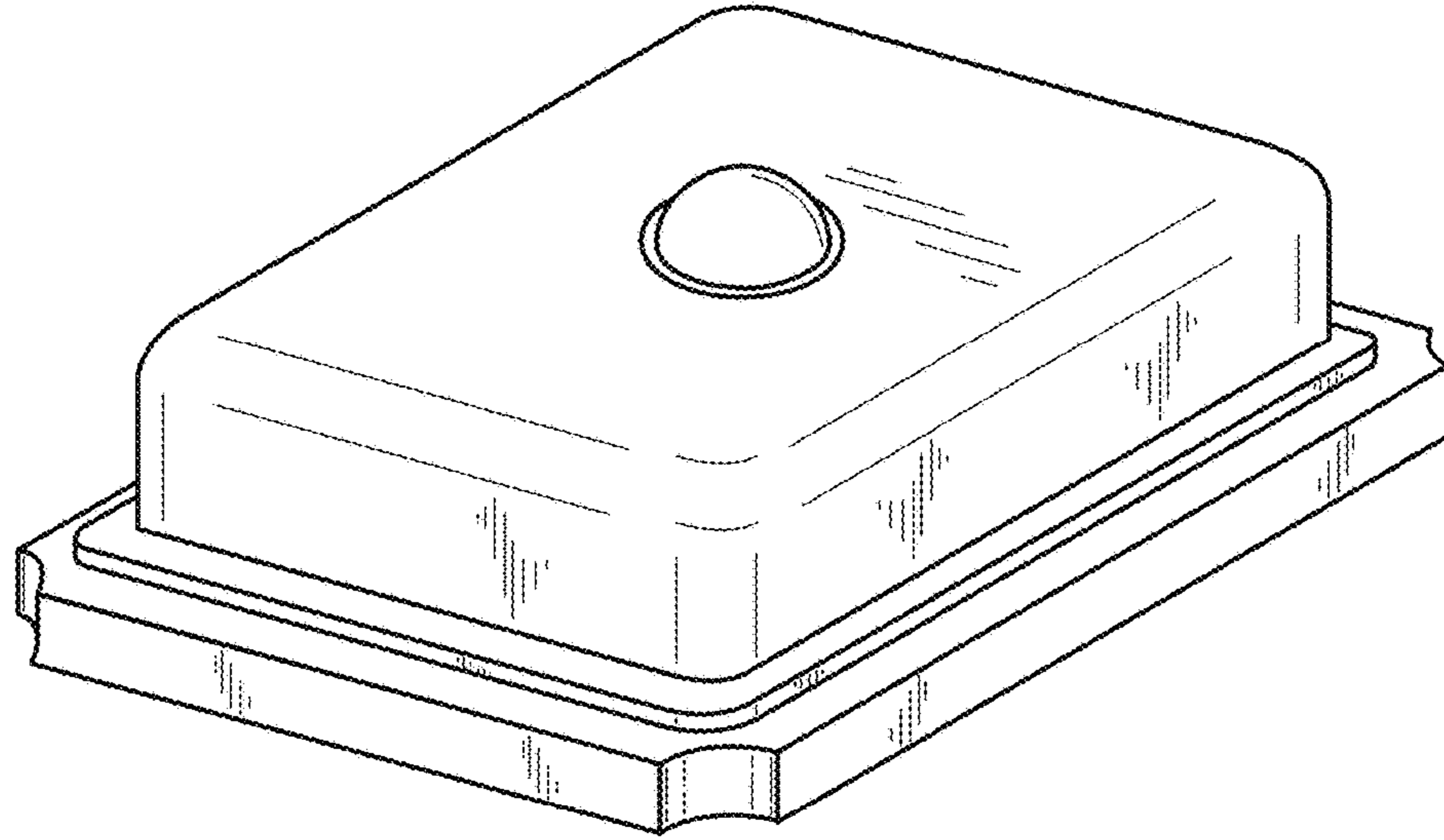
Barometric Pressure Sensor, posted on rhydolabz.com, earliest review posted May 26, 2016, no production date given, [online], [site visited Nov. 7, 2017], Available from Internet, URL: [http://www.rhydolabz.com/sensors-weather-sensors-c-137\\_147/barometric-pressure-sensor-bmp085-p-851.html](http://www.rhydolabz.com/sensors-weather-sensors-c-137_147/barometric-pressure-sensor-bmp085-p-851.html) (Year: 2016).\*

Bosch Sensortec, posted on elettronica-plus.it, posted Jan. 21, 2015, no production date given, [online], [posted Nov. 7, 2017], Available from Internet, URL: [http://elettronica-plus.it/bosch-sensortec-soluzioni-mems-con-sensori-ambientali-integrati\\_73940/](http://elettronica-plus.it/bosch-sensortec-soluzioni-mems-con-sensori-ambientali-integrati_73940/) (Year: 2015).\*

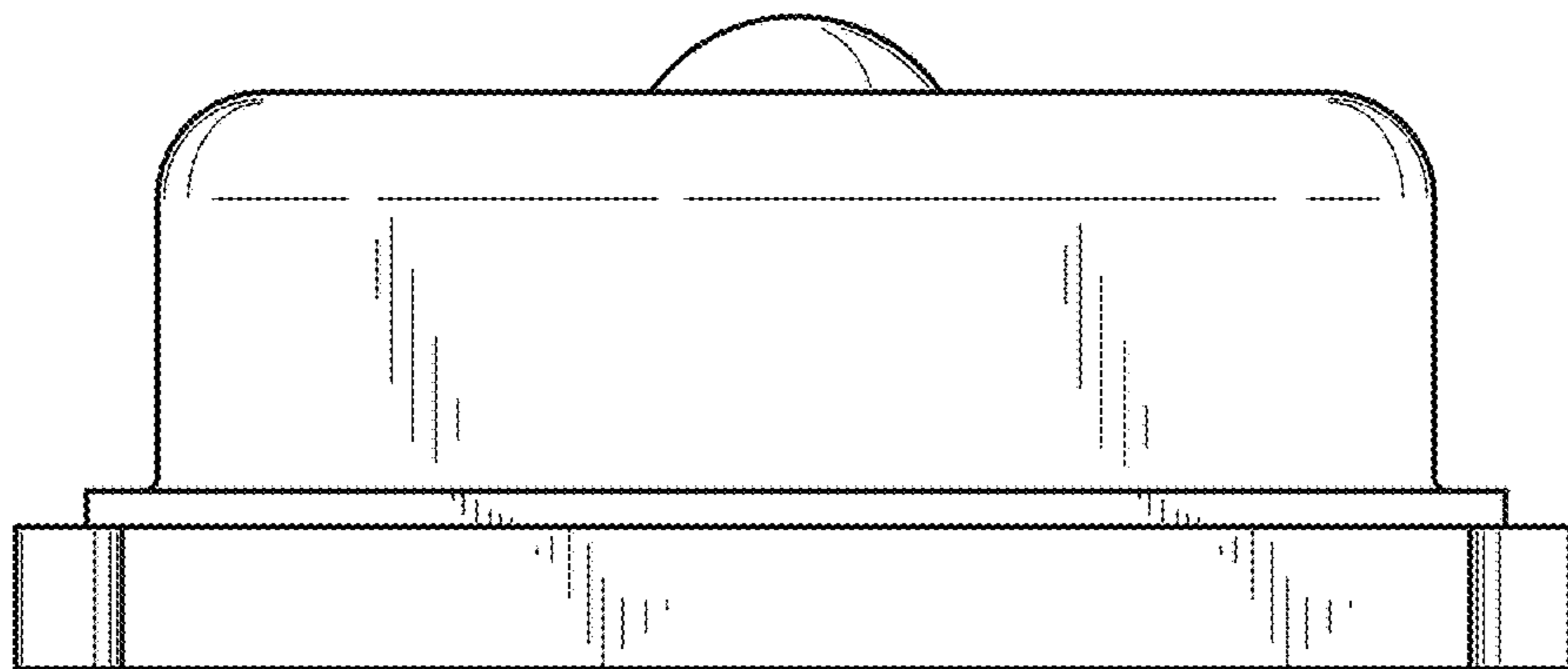
Temperature/Barometric Pressure Sensor, posted on embeddeddatasystems.com, no posted date given, no production date given, [online], [site visited Nov. 7, 2017], Available from Internet, URL: [https://www.embeddeddatasystems.com/OW-ENV-TP--Temperature-Barometric-Pressure-Sensor\\_p\\_171.html](https://www.embeddeddatasystems.com/OW-ENV-TP--Temperature-Barometric-Pressure-Sensor_p_171.html) (Year: 2017).\*

\* cited by examiner

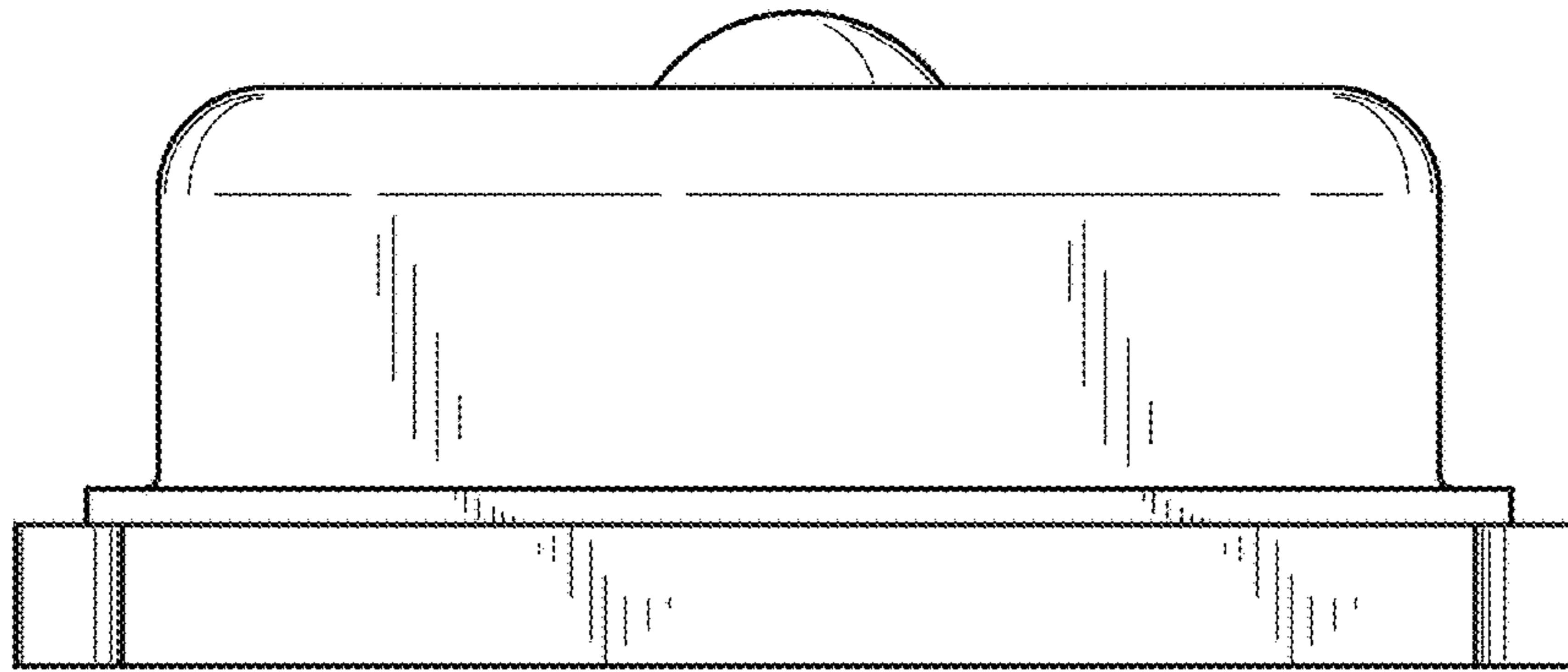
**Fig.1**



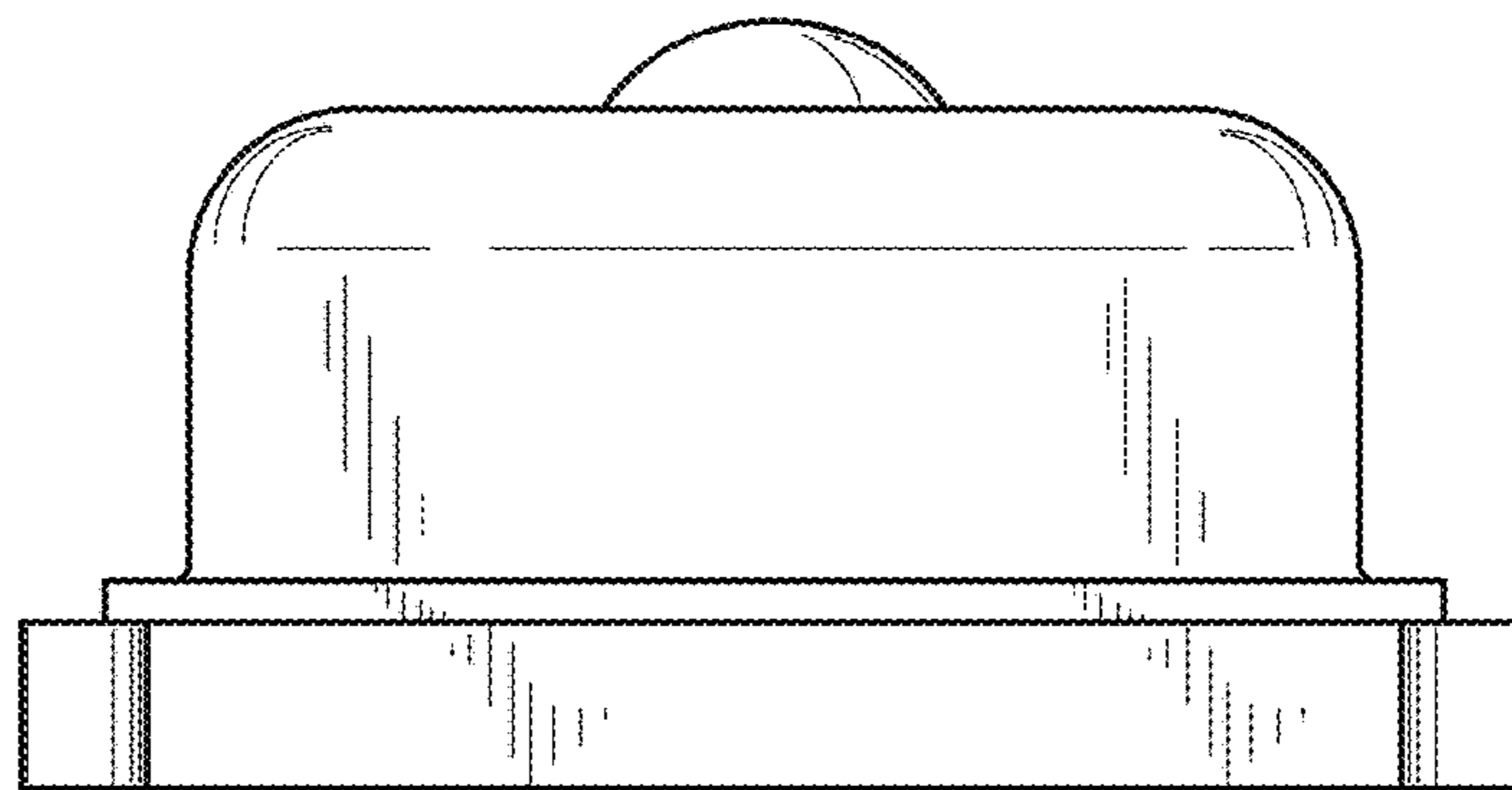
**Fig.2**



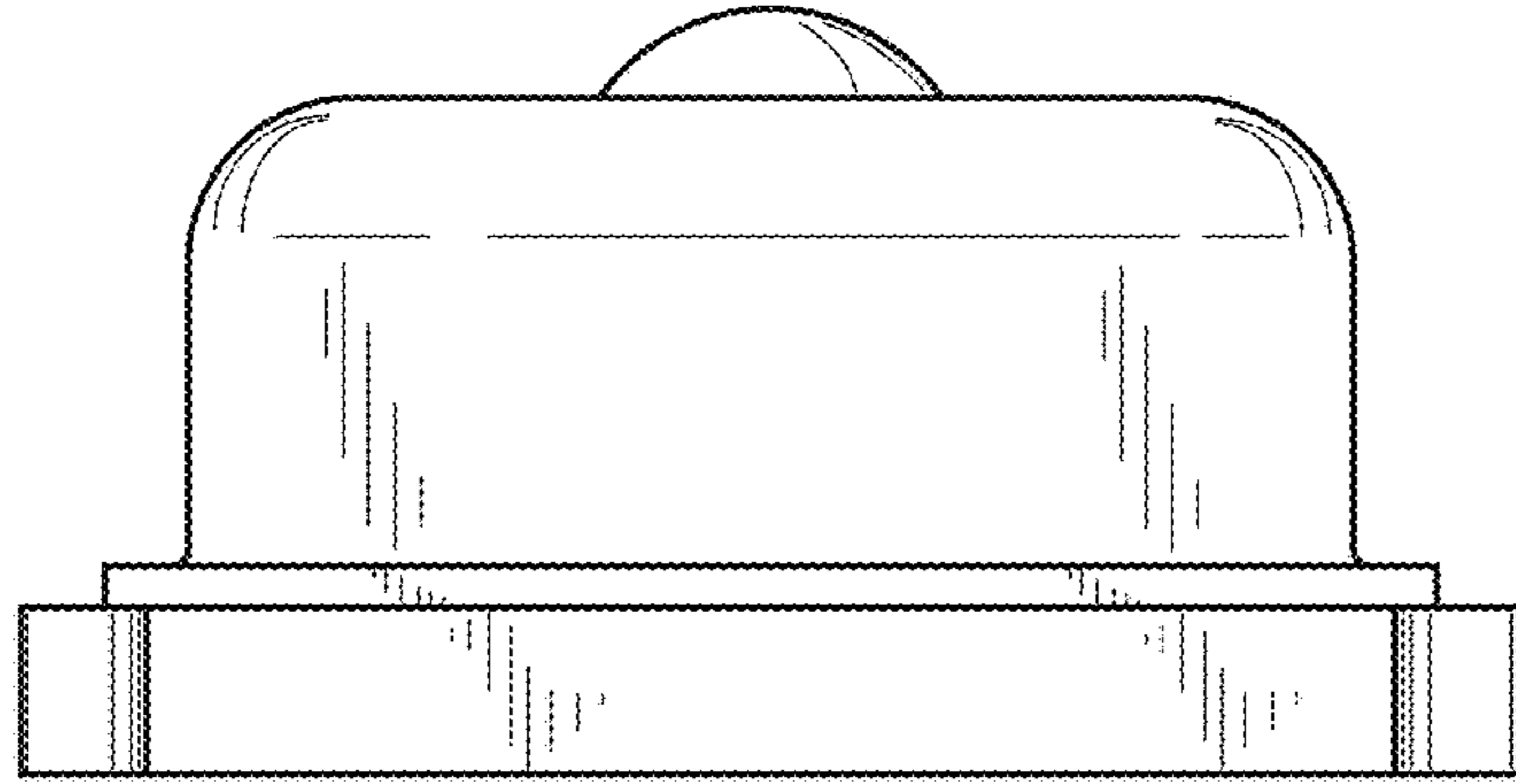
**Fig.3**



**Fig.4**



**Fig.5**



**Fig.6**

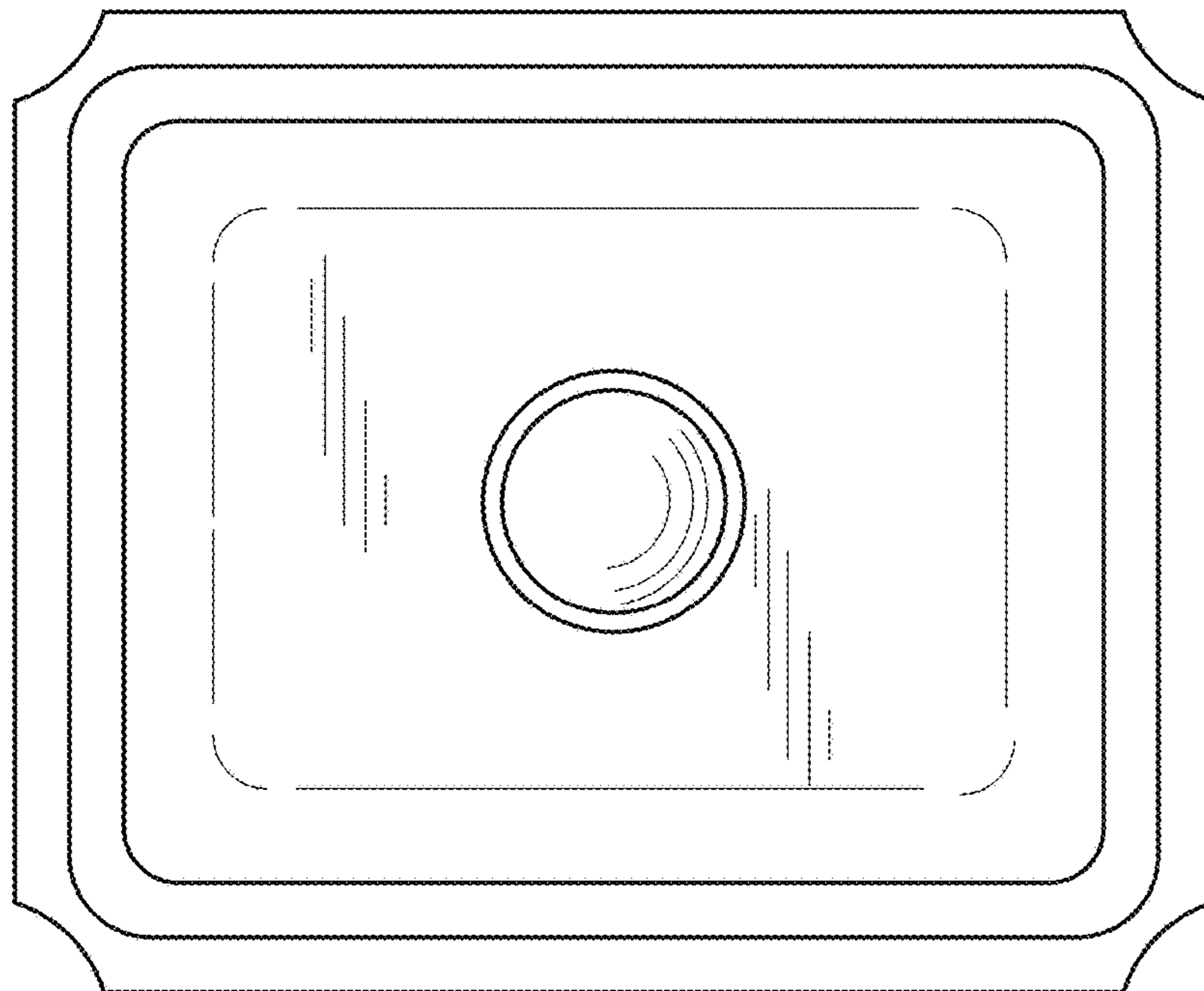


Fig.7

