



US00D816523S

(12) **United States Design Patent**
Borosko

(10) **Patent No.:** **US D816,523 S**
(45) **Date of Patent:** **** May 1, 2018**

(54) **FIBER INSPECTION PROBE**

(71) Applicant: **Fluke Corporation**, Everett, WA (US)

(72) Inventor: **Justyna Borosko**, Vilnius (LT)

(73) Assignee: **Fluke Corporation**, Everett, WA (US)

(**) Term: **15 Years**

(21) Appl. No.: **29/574,634**

(22) Filed: **Aug. 17, 2016**

(51) **LOC (11) Cl.** **10-04**

(52) **U.S. Cl.**
USPC **D10/78**

(58) **Field of Classification Search**

USPC D10/75, 78
CPC .. G01M 11/088; G01M 11/00; G01M 11/005;
G01M 11/08; G02B 6/385; G02B 6/3898;
G02B 6/25; G02B 6/3807; G02B 6/3866;
G02B 6/3885; G02B 6/3846; G02B
6/3863; G01B 11/2441; G01B 11/303;
G01N 21/8806; G01N 21/952

See application file for complete search history.

(56) **References Cited**

U.S. PATENT DOCUMENTS

7,212,719 B2 * 5/2007 Fujiwara B08B 1/00
385/134
D713,751 S * 9/2014 Nadeau D10/78
D751,434 S * 3/2016 Nadeau D10/78
9,482,823 B1 * 11/2016 Li G02B 6/381

FOREIGN PATENT DOCUMENTS

TW D147724 6/2012

OTHER PUBLICATIONS

Taiwanese Search Report, dated Aug. 28, 2017, for Taiwanese Design Patent Application No. 106300619, 4 pages. (with partial English Translation).

* cited by examiner

Primary Examiner — Antoine Duval Davis

(74) *Attorney, Agent, or Firm* — Seed IP Law Group LLP

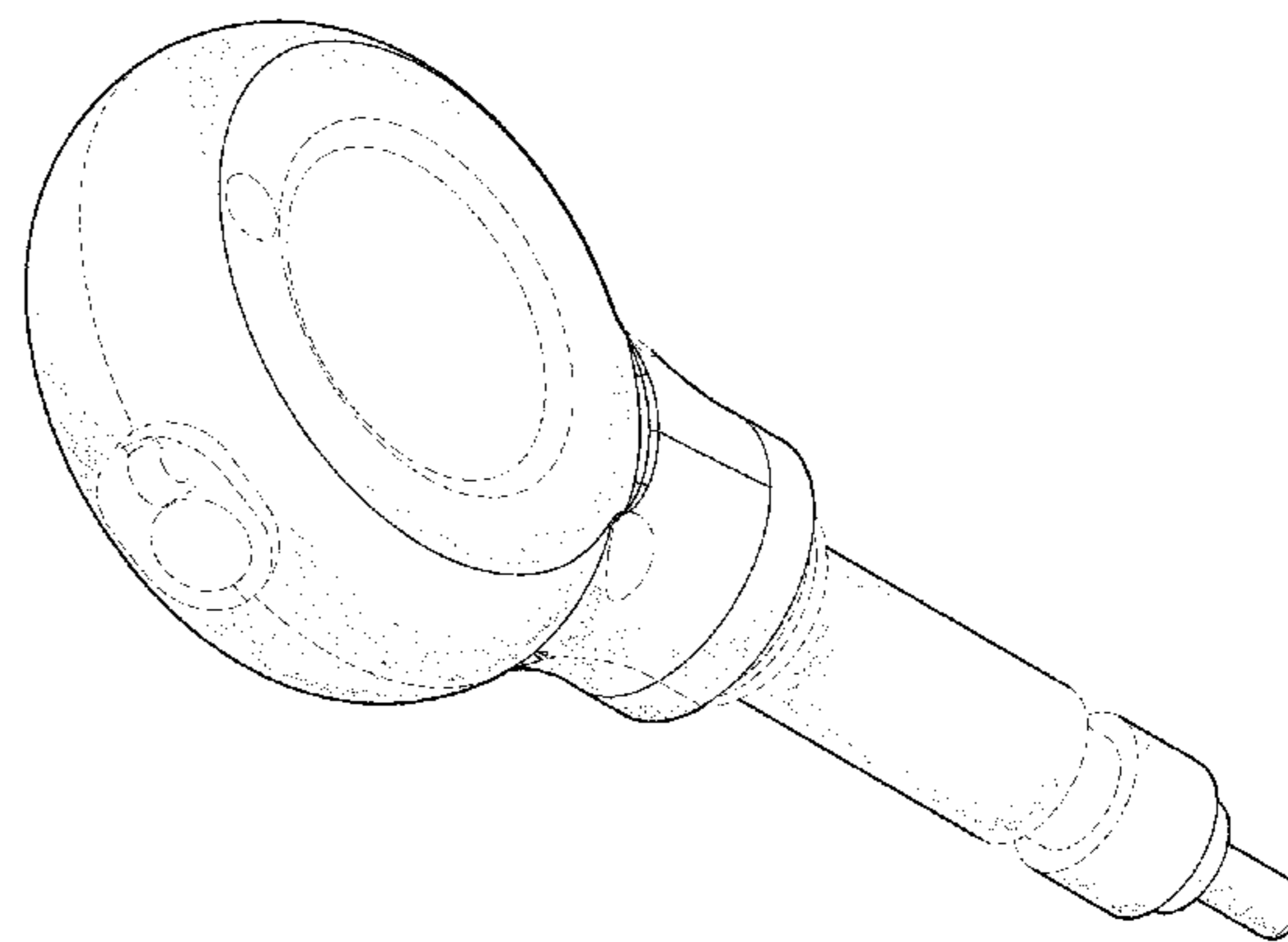
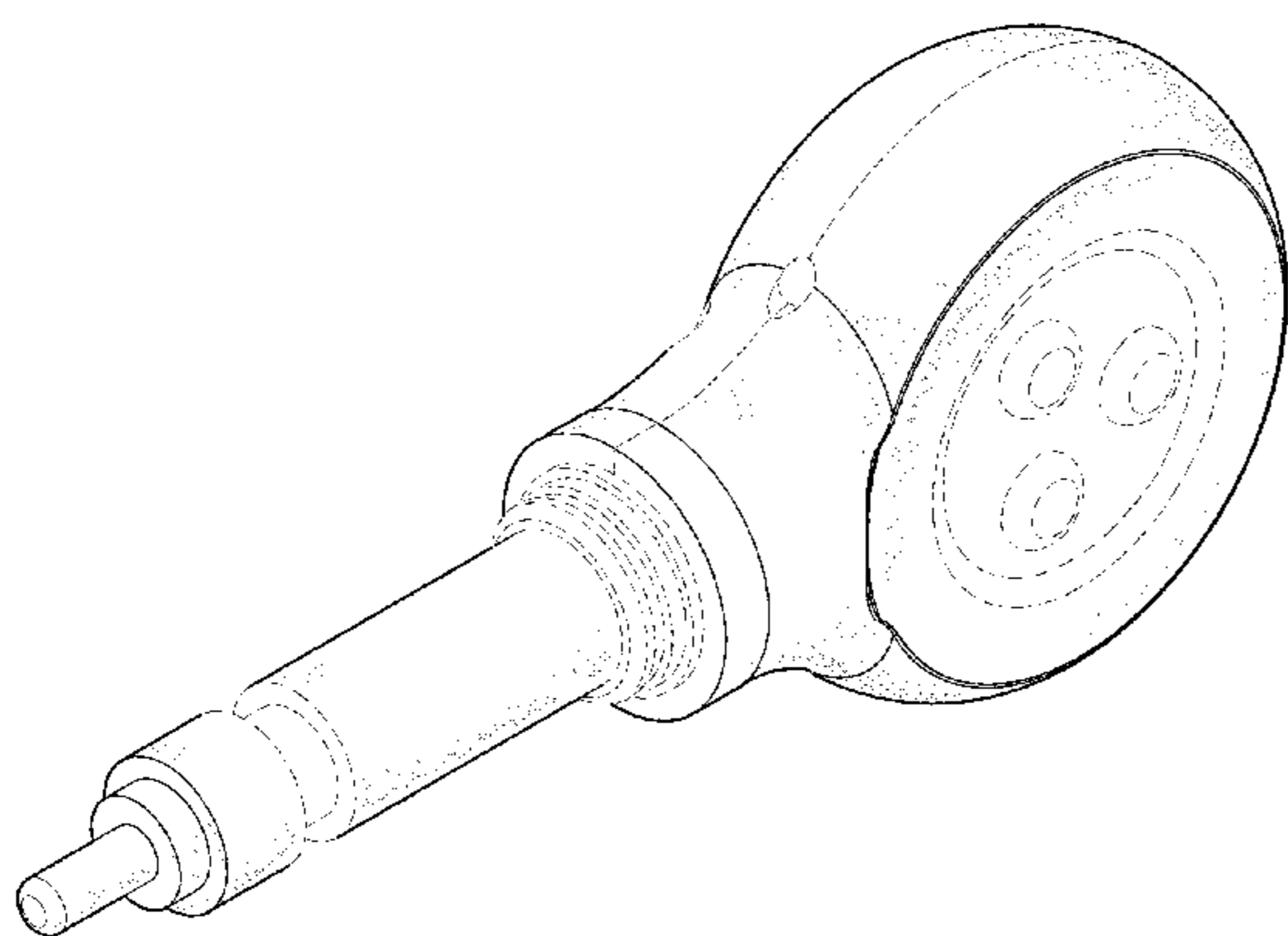
(57) **CLAIM**

The ornamental design for a fiber inspection probe, as shown and described.

DESCRIPTION

FIG. 1 is a top, front left perspective view of a fiber inspection probe showing my new design.
FIG. 2 is a bottom, rear right perspective view thereof.
FIG. 3 is a front elevational view thereof.
FIG. 4 is a top plan view thereof.
FIG. 5 is a left side elevational view thereof.
FIG. 6 is a rear elevational view thereof.
FIG. 7 is a right side elevational view thereof; and,
FIG. 8 is a bottom plan view thereof.
The broken lines are for the purpose of illustrating portions of the fiber inspection probe that form no part of the claimed design.

1 Claim, 8 Drawing Sheets



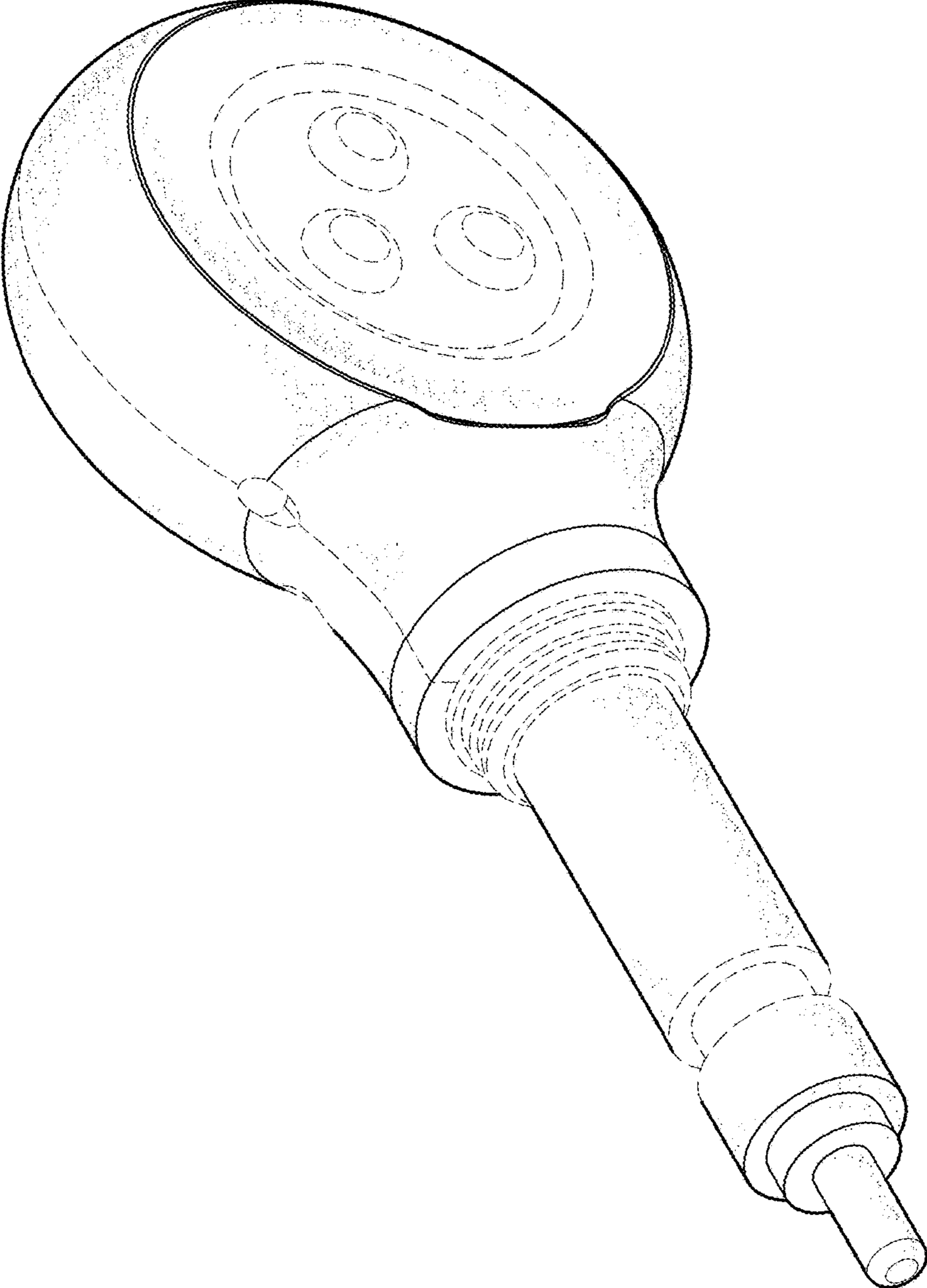


FIG. 1

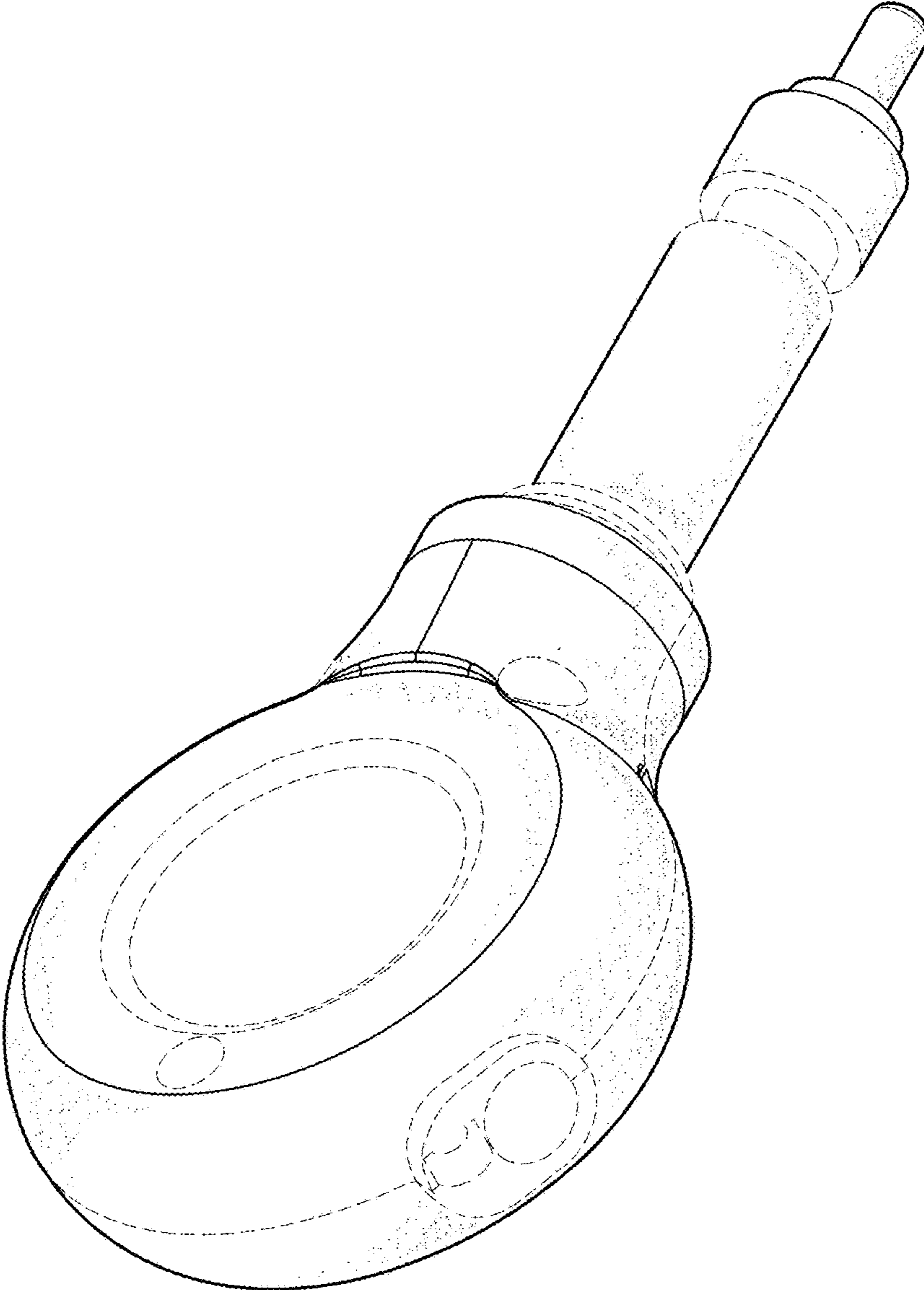


FIG. 2

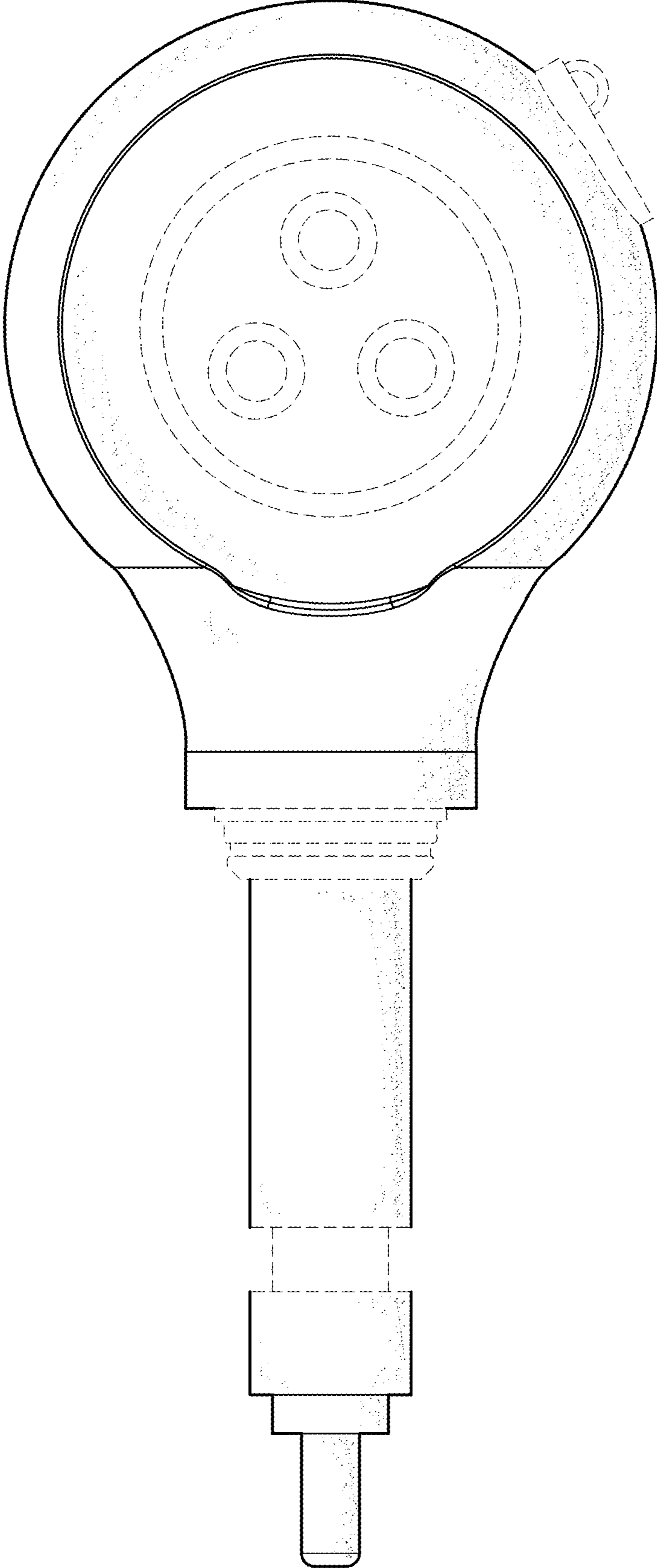


FIG. 3

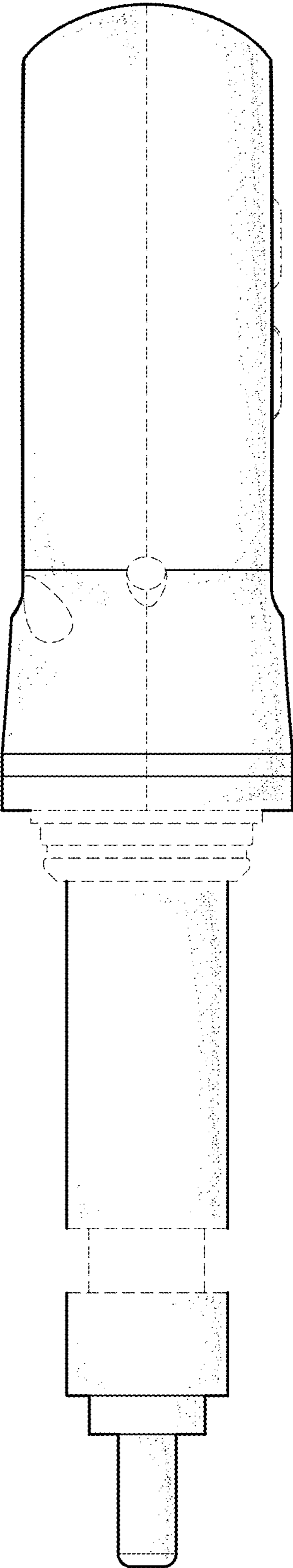


FIG. 4

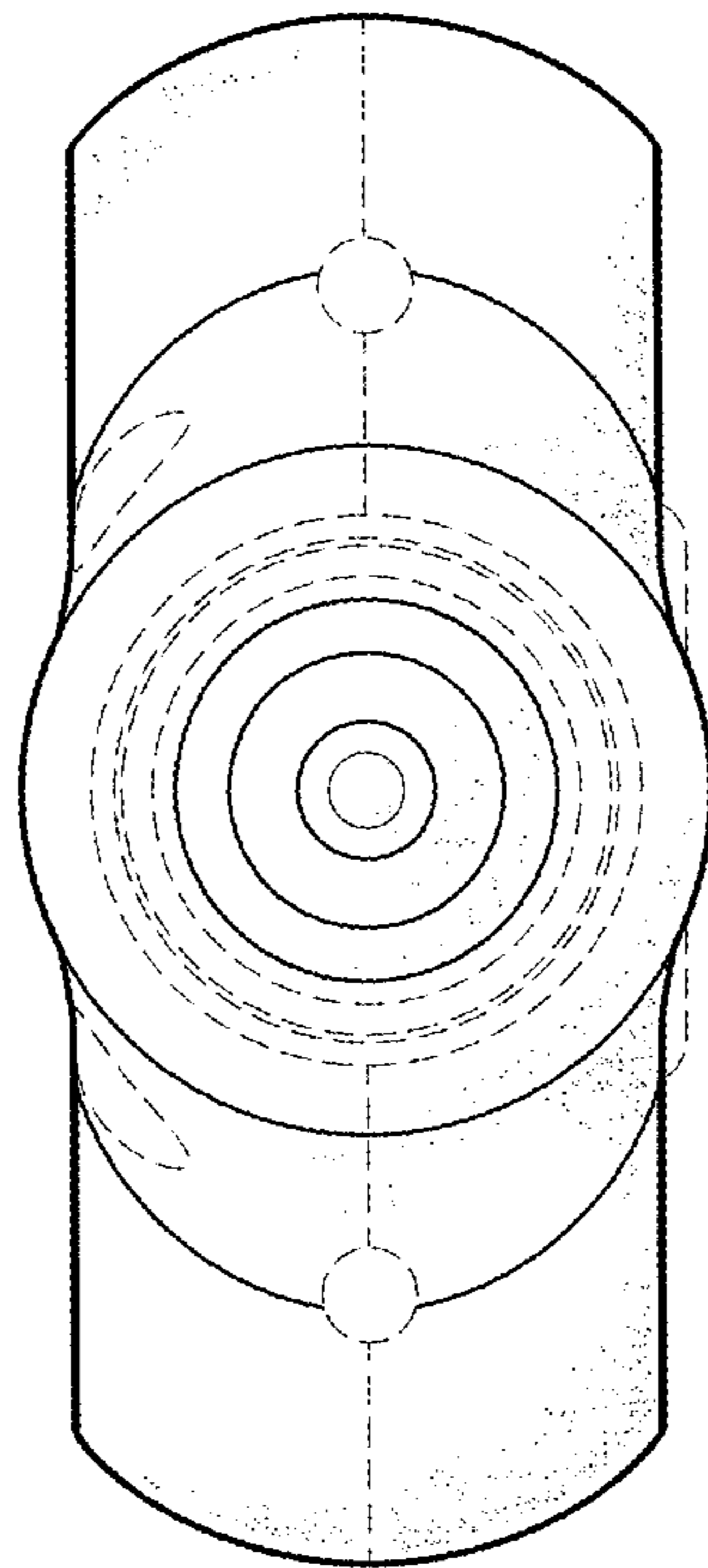


FIG. 5

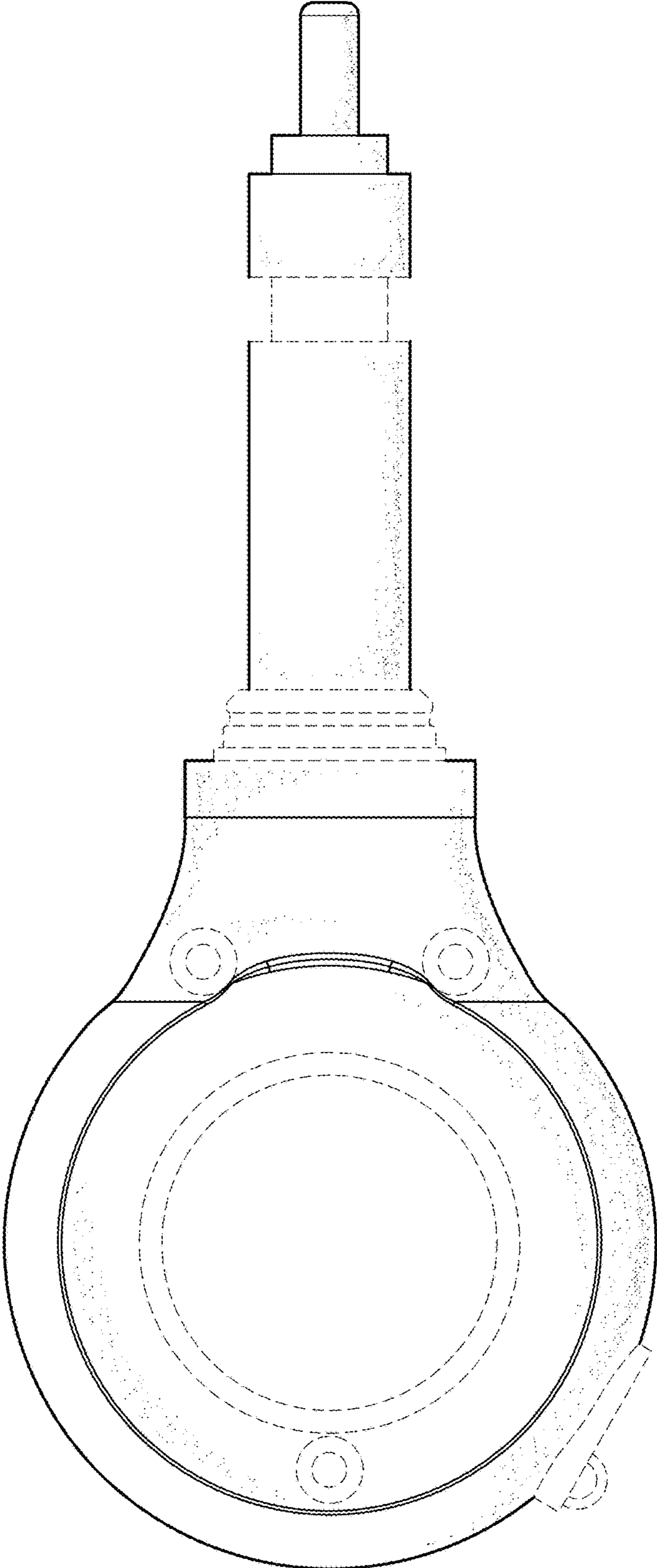


FIG. 6

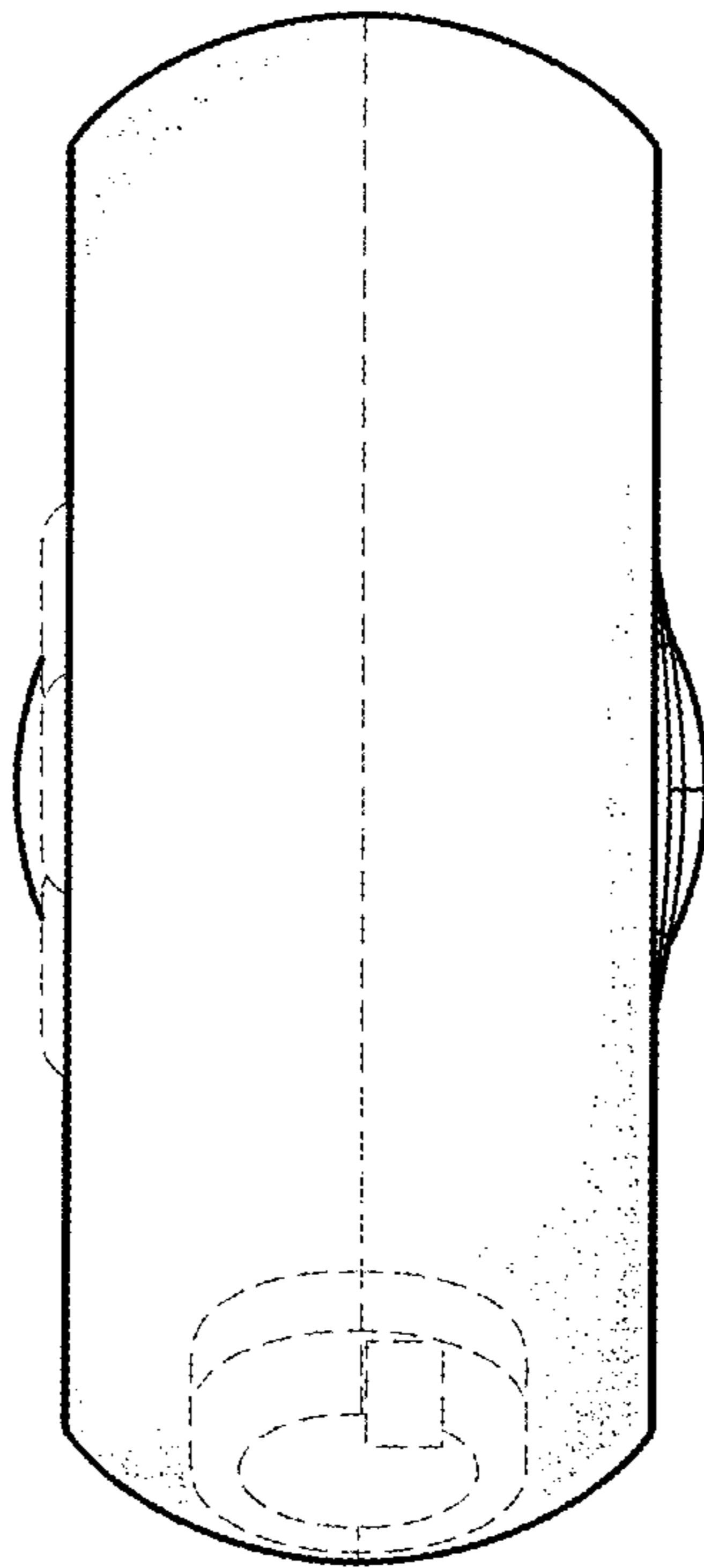


FIG. 7

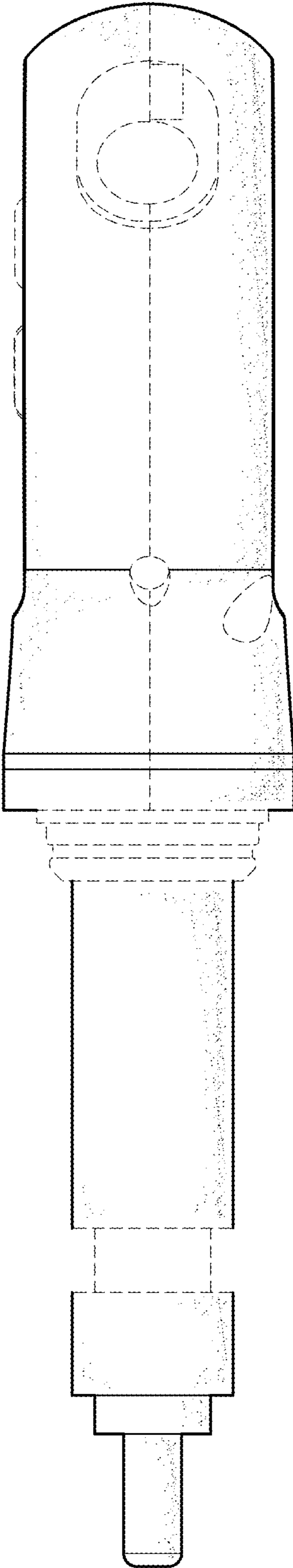


FIG. 8