



US00D816514S

(12) **United States Design Patent** (10) **Patent No.:** **US D816,514 S**
Wolfson et al. (45) **Date of Patent:** **** May 1, 2018**

(54) **CONTAINER**

B65D 83/682; B65D 21/02; B65D 15/08;
A47G 2019/122; A61J 1/2093

See application file for complete search history.

(71) Applicants: **Louis T. Wolfson**, Palmetto Bay, FL
(US); **Alia M. Dia**, Palmetto Bay, FL
(US)

(56) **References Cited**

U.S. PATENT DOCUMENTS

(72) Inventors: **Louis T. Wolfson**, Palmetto Bay, FL
(US); **Alia M. Dia**, Palmetto Bay, FL
(US)

D164,310 S * 8/1951 Mechem 222/466
3,321,097 A * 5/1967 Solowey B65D 1/04
206/221

(Continued)

(73) Assignee: **Giveler LLC**, Palmetto Bay, FL (US)

OTHER PUBLICATIONS

(**) Term: **15 Years**

Giveler (via twitter.com), available Oct. 30, 2016, [online], [site visited Sep. 29, 2017]. Available from internet, <URL: https://twitter.com/mygiveler (Year: 2016).*

(Continued)

(21) Appl. No.: **29/580,052**

(22) Filed: **Oct. 5, 2016**

Primary Examiner — Cathron C Brooks

Assistant Examiner — W. A. Teddy Falloway

(51) **LOC (11) Cl.** **09-01**

(74) *Attorney, Agent, or Firm* — Misikin & Tsui-Yip LLP;
Gloria Tsui-Yip

(52) **U.S. Cl.**

USPC **D9/741**; D3/202; D7/619.1

(57) **CLAIM**

(58) **Field of Classification Search**

The ornamental design for a container, as shown and described.

USPC D9/741, 516, 529, 559, 564-565,
D9/561-562, 575, 737-738, 686, 689,
D9/691, 693, 570, 574, 747, 569, 573,
D9/620, 341, 367, 751, 756, 530, 313,
D9/375, 403, 409, 413, 558, 547, 743,
D9/744, 539-546, 520-524;
D7/509-511, 563, 573, 590, 513, 300,
D7/308, 312, 315, 601, 602, 619.1, 622;
D3/202; 264/532; 222/129, 94, 135;
220/505, 504, 288, 709, 23.4, 23.8, 23.88,
220/633, 916, 660, 669; 215/6, 10, 216
CPC .. B65D 1/04; B65D 35/22; B65D 2501/0081;
B65D 47/06; B65D 81/3283; B65D
81/3244; B65D 83/40; B65D 83/68;

DESCRIPTION

FIG. 1 is a left side view of my new design, the right side view being identical;
FIG. 2 is a front elevational view thereof, the rear elevational view being identical;
FIG. 3 is a top plan view thereof;
FIG. 4 is a bottom plan view thereof;
FIG. 5 is a perspective view thereof;
FIG. 6 is an exploded perspective view thereof, showing a bowl, body, divider, lid and flaps;
FIG. 7 is a cross-sectional view thereof, taken along and in the direction of line 7-7 of FIG. 3;
FIG. 8 is a bottom perspective view of the lid, shown separately for completeness of illustration; and,

(Continued)

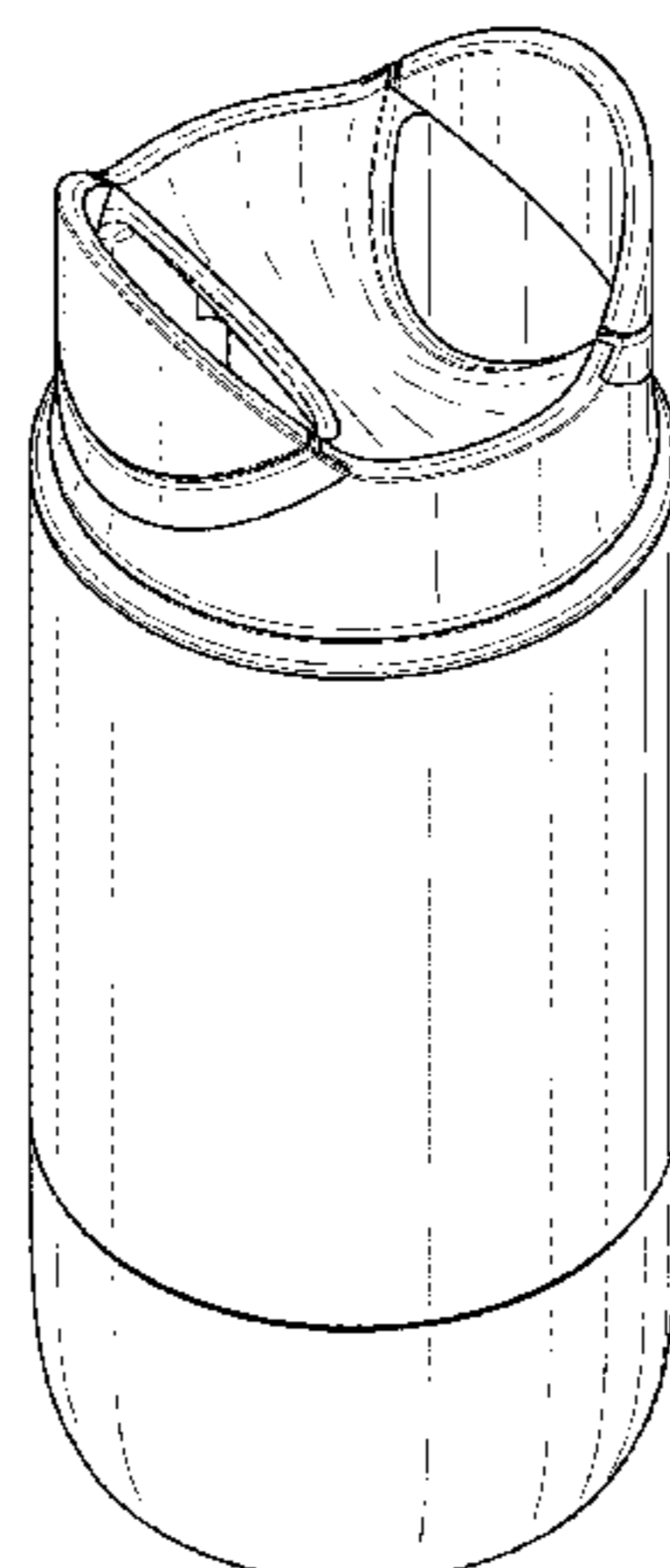


FIG. 9 is a perspective view of FIG. 5, with the bowl removed from the bottom of the body and placed in its alternate position on the top of the body. The broken lines shown FIGS. 5-8 illustrate portions of the container and form no part of the claimed design.

1 Claim, 8 Drawing Sheets

(56)

References Cited

U.S. PATENT DOCUMENTS

4,163,517 A * 8/1979 Kappler B65D 15/08
 220/916
 D324,173 S * 2/1992 Lynd D9/746
 D442,029 S * 5/2001 Otake D7/510
 6,401,952 B1 * 6/2002 Ming A45C 7/00
 220/297
 6,405,675 B1 * 6/2002 Mills A01K 7/00
 119/51.5
 6,472,007 B2 10/2002 Bezek et al.
 D490,699 S * 6/2004 Nelson D9/689
 D495,209 S 8/2004 Tranfaglia et al.
 D516,428 S * 3/2006 Bezek D9/502
 D554,865 S * 11/2007 Roesler D3/282
 D596,034 S * 7/2009 Rauscher D28/76
 D605,895 S * 12/2009 Abbott D7/509
 D650,235 S * 12/2011 Eyal D7/510
 D657,950 S * 4/2012 Herman D3/202
 D664,002 S * 7/2012 Eyal D7/510

D674,276 S * 1/2013 Cohen D9/434
 8,597,236 B2 * 12/2013 Nassiri A61J 1/2093
 206/217
 D703,051 S * 4/2014 Riley D9/441
 8,864,015 B2 10/2014 Lu et al.
 8,864,016 B2 10/2014 Herman
 8,950,630 B2 2/2015 Jackson
 D739,477 S * 9/2015 Simonds D21/487
 D779,273 S * 2/2017 Lee D7/510
 2001/0035413 A1 * 11/2001 Thai A63H 33/28
 220/213
 2002/0084273 A1 * 7/2002 Ming A45C 7/00
 220/4.28

OTHER PUBLICATIONS

“This Water Bottle Has Two Chambers, Doubling the Possibilities”, available Nov. 13, 2011, [online], [site visited Sep. 29, 2017]. Available from internet, <URL: <https://www.foodbeast.com/news/this-water-bottle-has-two-chambers-doubling-the-possibilities/> (Year: 2011).*

Dexas Snack DuO Dual Chambered Hydration Bottle and Snack Container (via amazon.com), available Aug. 3, 2016, [online], [site visited Sep. 29, 2017]. Available from internet, <URL: <https://www.amazon.com/Dexas-Chambered-Hydration-Container-Collapsible/dp/B00YH8V8AM> (Year: 2016).*

SnackPod (via impelstudio.com), available Sep. 29, 2017, [online], [site visited Sep. 29, 2017]. Available from internet, <URL: <http://www.impelstudio.com/giveler/> (Year: 2017).*

* cited by examiner

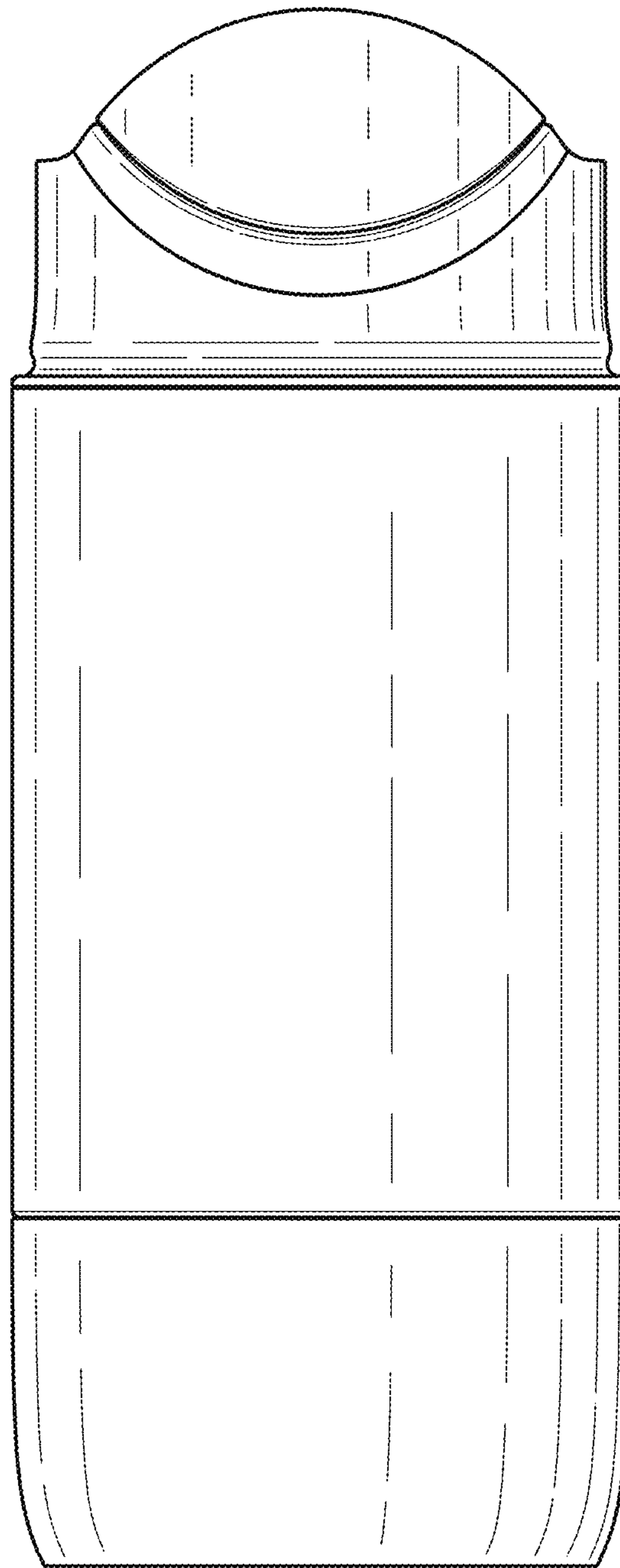


Fig.1

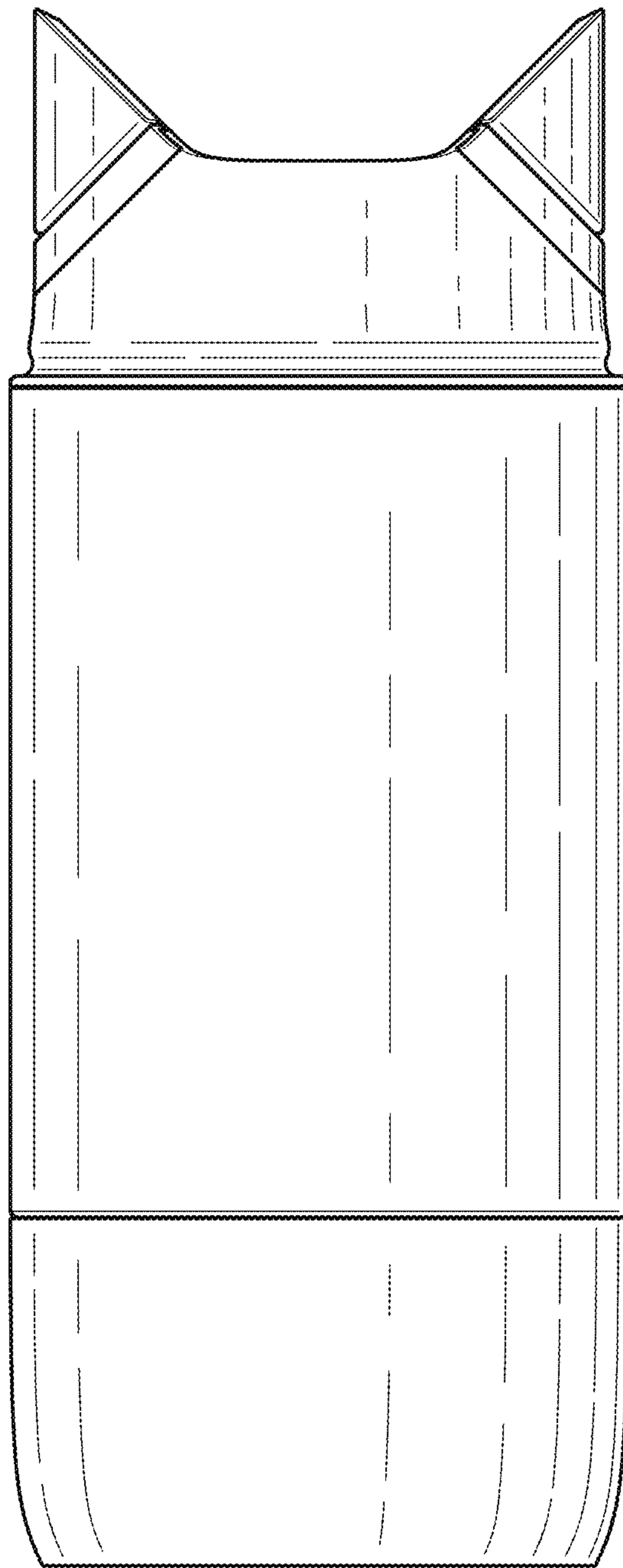


Fig.2

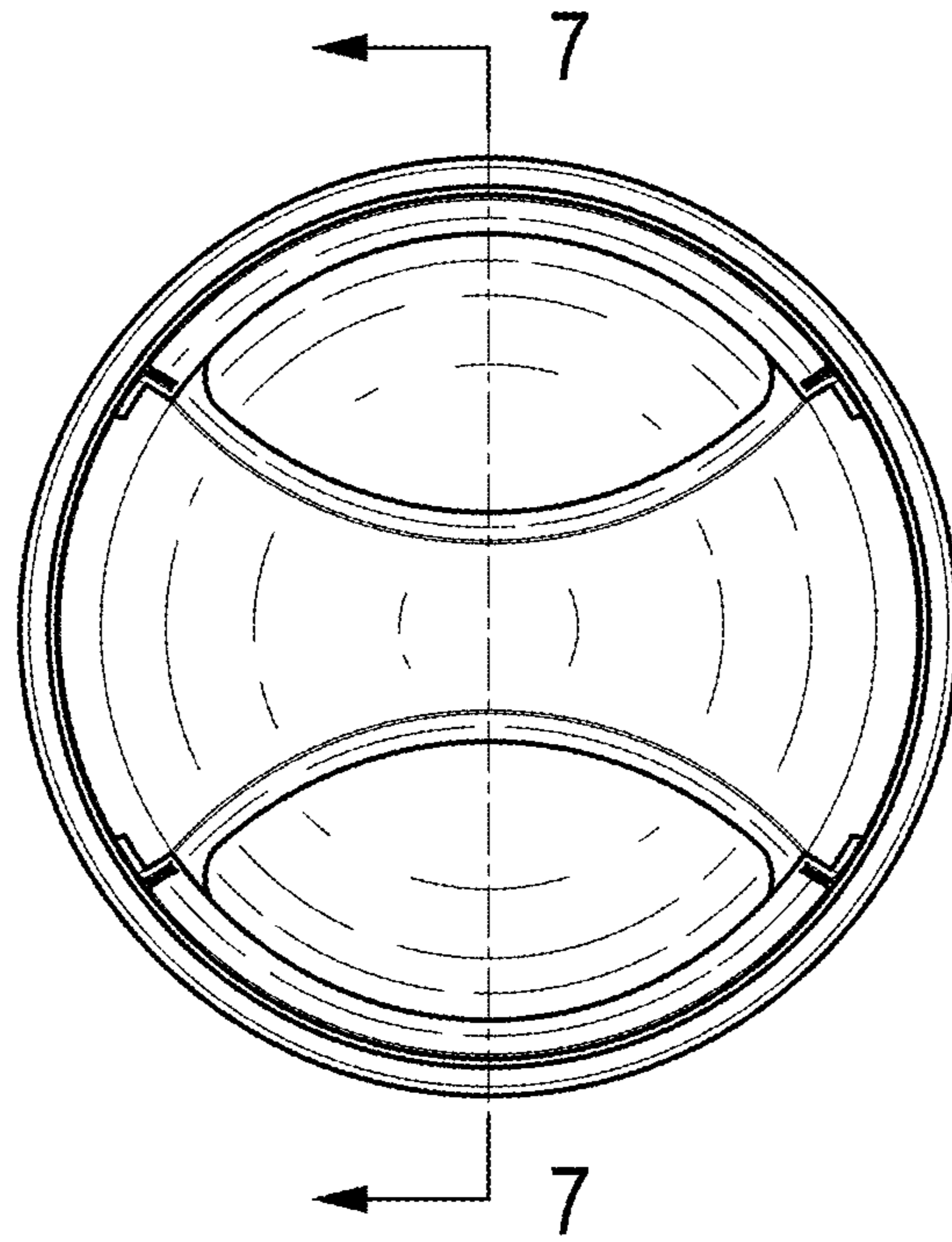


Fig.3

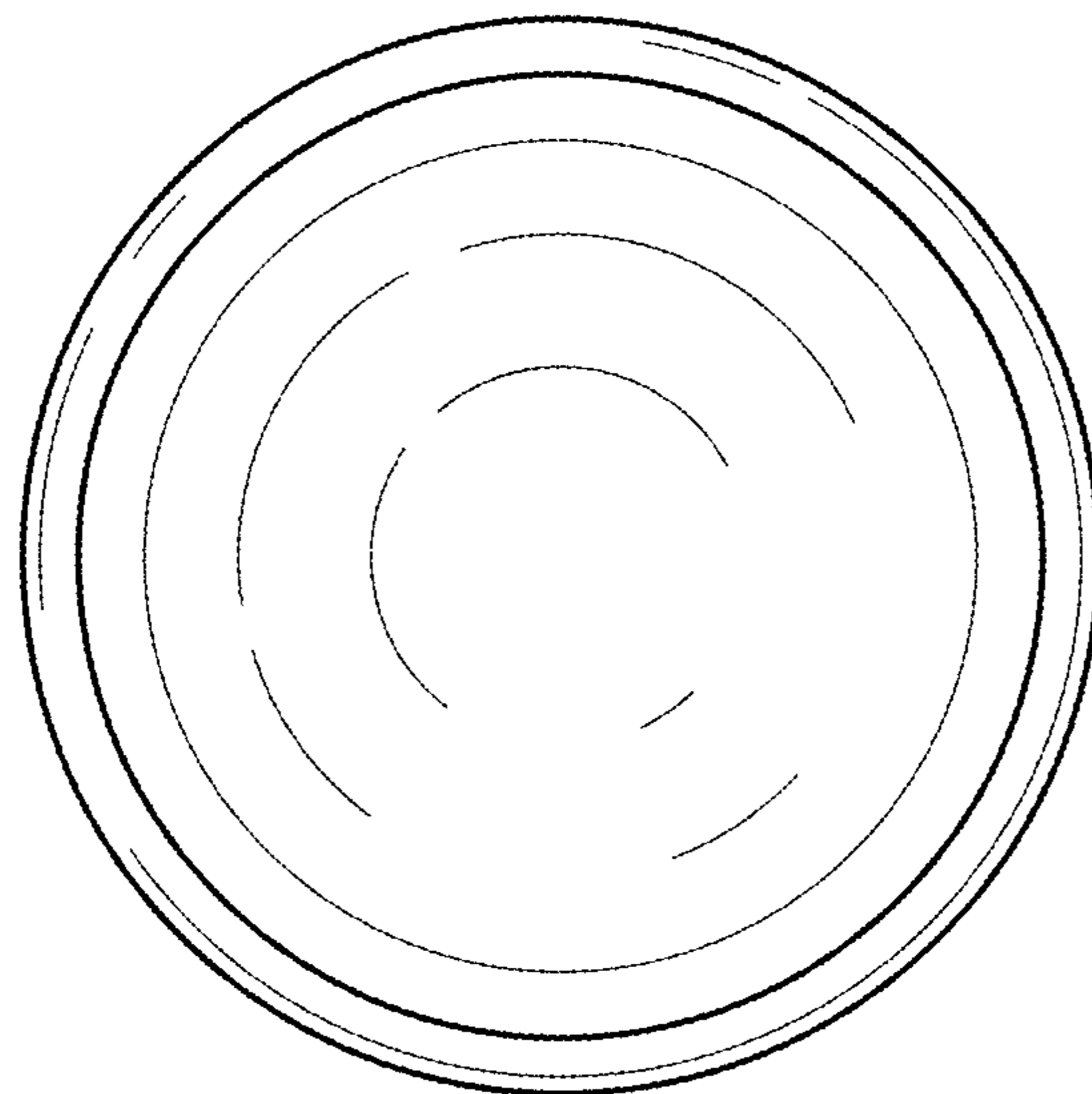


Fig.4

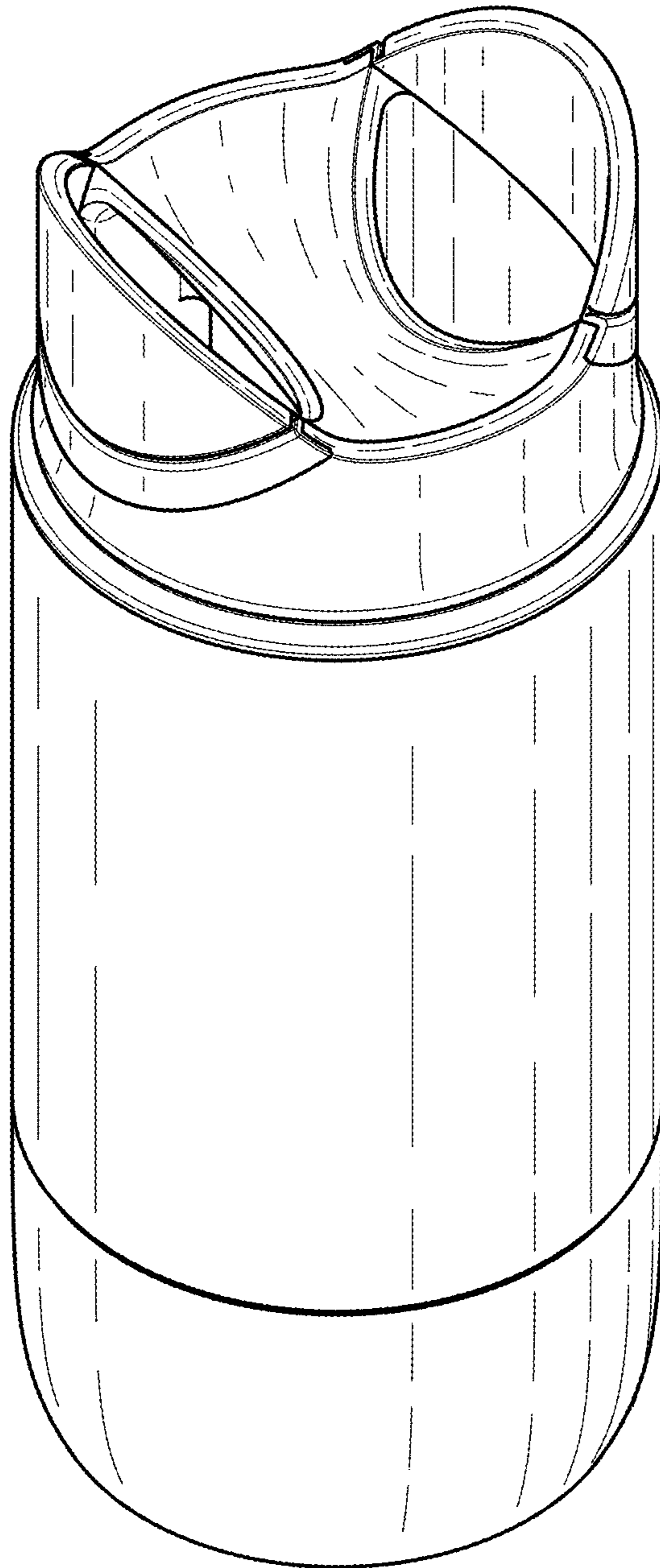


Fig.5

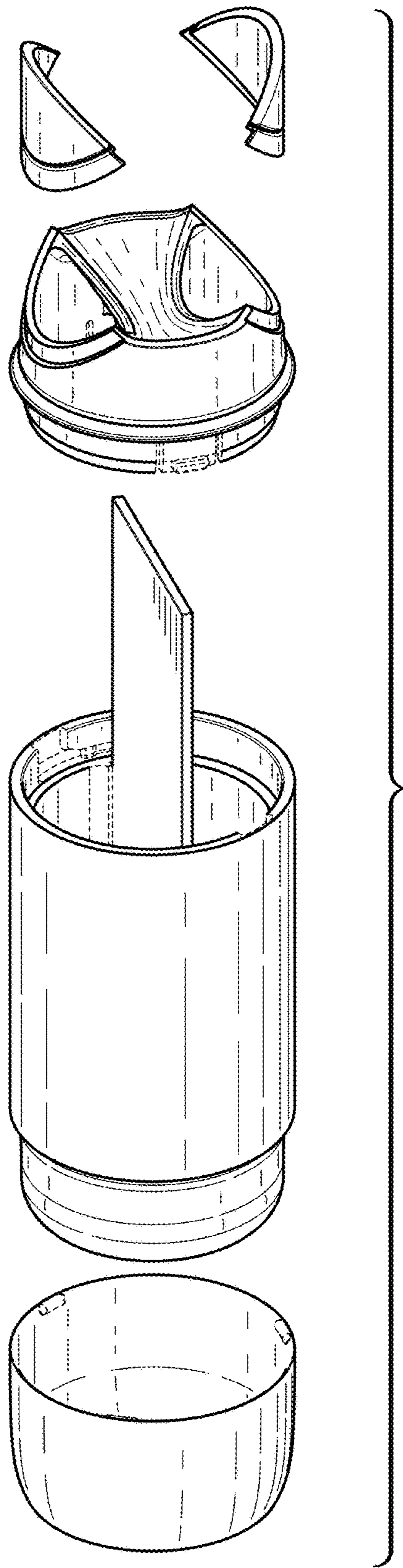


Fig.6

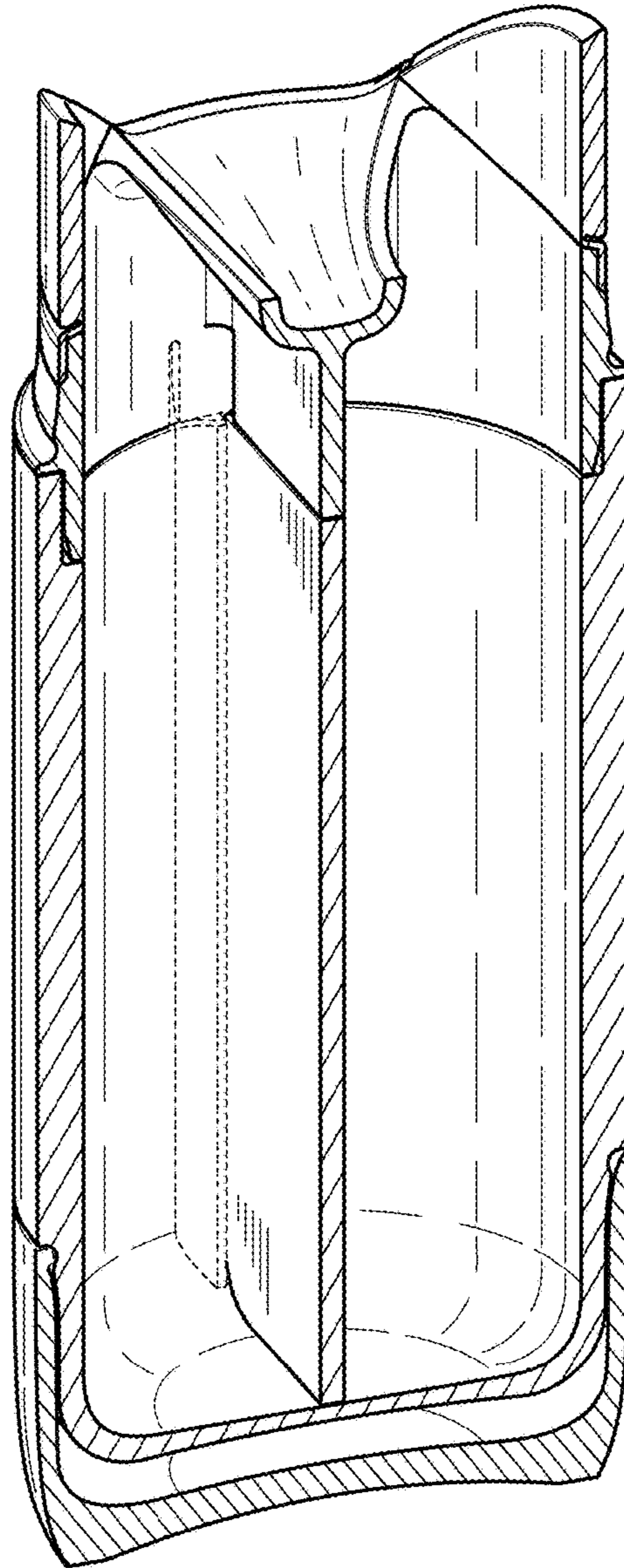


Fig.7

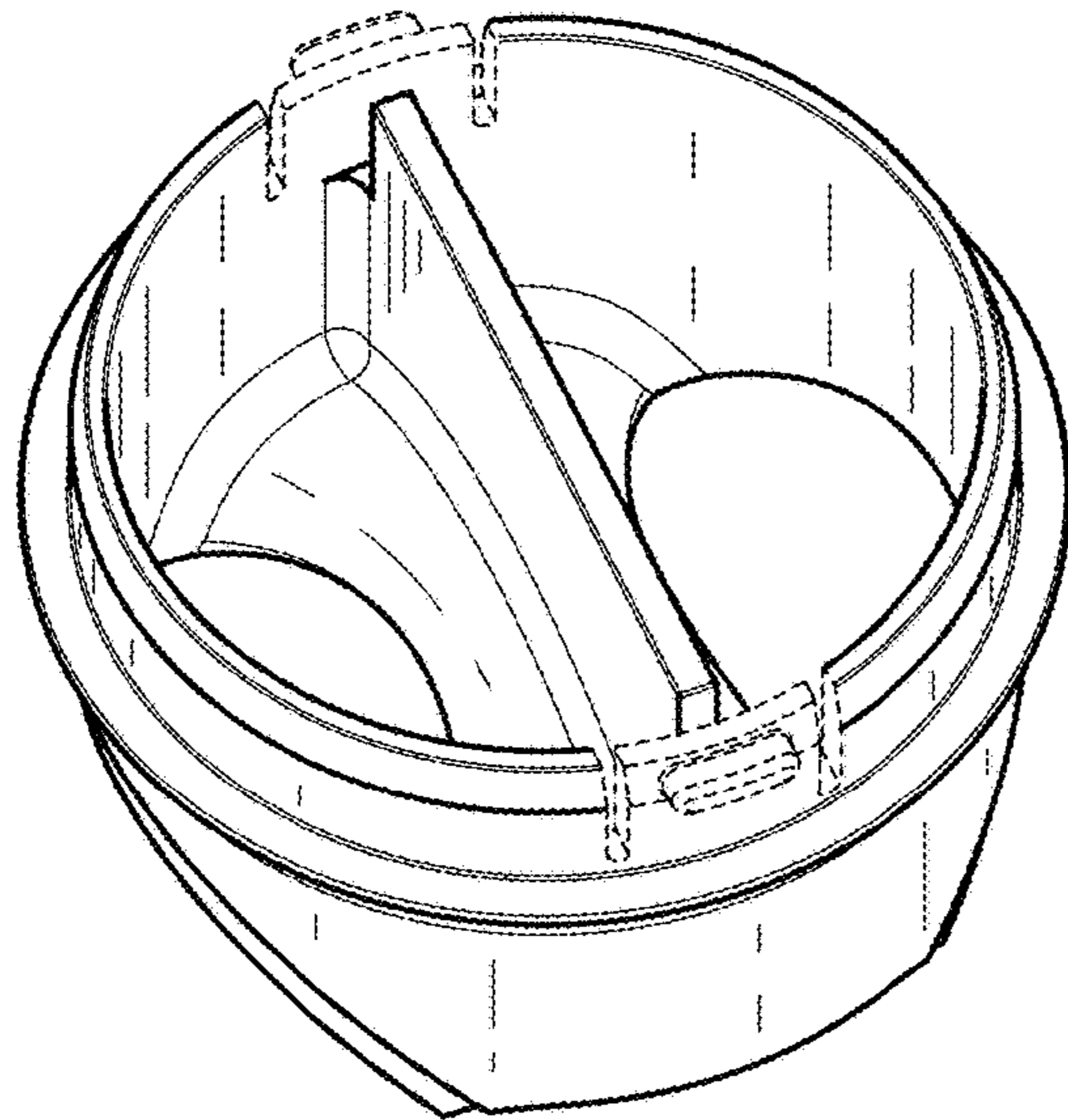


Fig.8

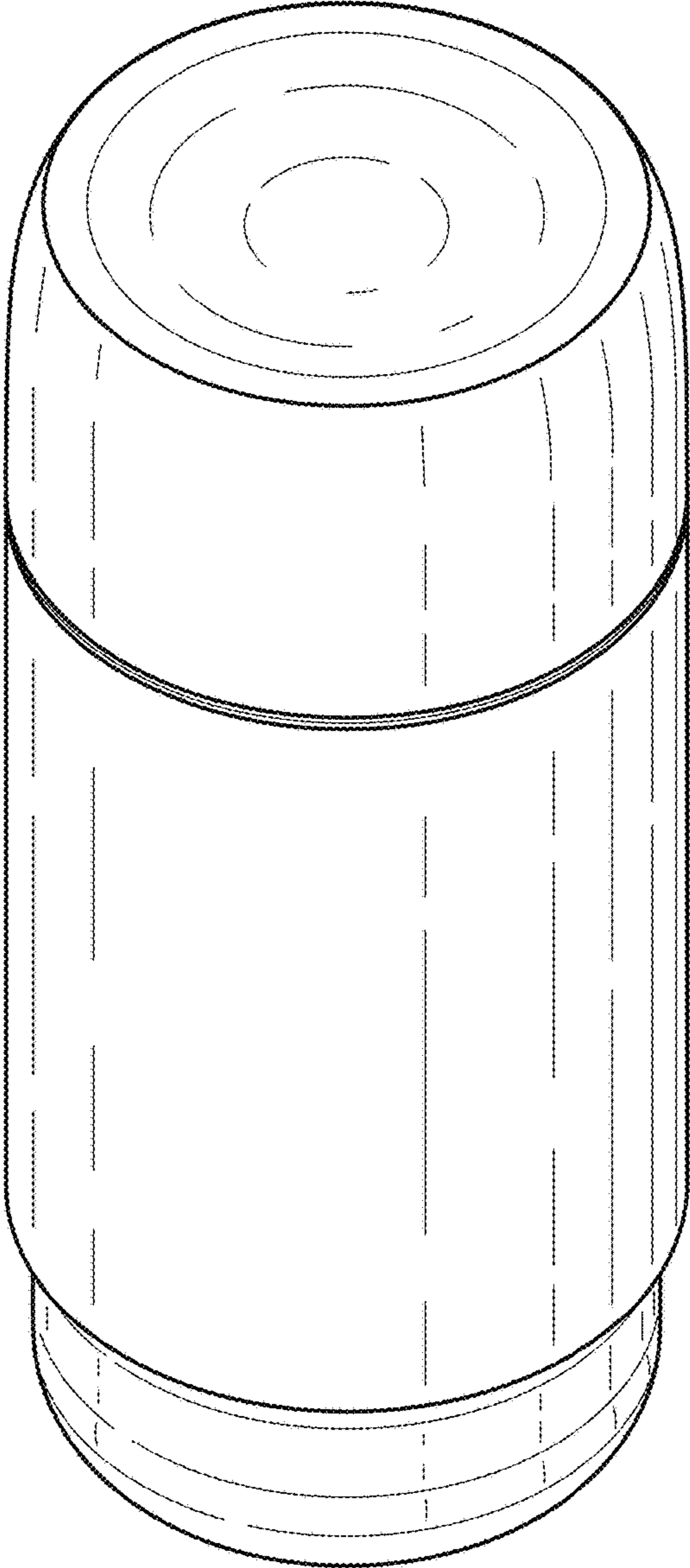


Fig.9