



US00D816513S

(12) **United States Design Patent** (10) **Patent No.:** **US D816,513 S**
Cerrato (45) **Date of Patent:** **** May 1, 2018**

(54) **CONTAINER**

(71) Applicant: **Kraft Foods Group Brands LLC**,
Northfield, IL (US)

(72) Inventor: **Nicole Cerrato**, Chicago, IL (US)

(73) Assignee: **Kraft Foods Group Brands LLC**,
Chicago, IL (US)

(**) Term: **15 Years**

(21) Appl. No.: **29/551,757**

(22) Filed: **Jan. 15, 2016**

Related U.S. Application Data

(62) Division of application No. 29/448,790, filed on Mar. 13, 2013, now Pat. No. Des. 748,991.

(51) **LOC (11) Cl.** **09-03**

(52) **U.S. Cl.**
USPC **D9/737**; D9/761

(58) **Field of Classification Search**
USPC D9/737, 748, 749, 754, 755, 756-758,
D9/760, 761, 700, 686, 688, 689, 549,
D9/390, 414, 424, 425, 430, 431, 432,
D9/434, 435, 454, 456, 499; D3/304,
D3/318, 326, 901; D24/231; D28/73,
D28/91.1; 206/216-217, 368, 438, 63.5,
206/527, 572; D7/509, 513, 550.1, 553.1,
D7/553.5, 553.6, 554.1, 554.2, 629;
D34/1, 10; 220/4.01, 4.04, 4.05, 4.06,
220/4.07, 4.21, 4.24, 4.25, 500, 503, 507,
220/528, 553, 890; 229/120.15; 215/6,
215/386-387, 400

CPC B65D 1/34; B65D 81/3813; B65D 5/48;
B65D 5/48024; B65D 5/5069; B65D
5/0209; B65D 5/3621; B65D 81/3862;

(Continued)

(56) **References Cited**

U.S. PATENT DOCUMENTS

387,095 A 7/1888 McPherson
D23,682 S 10/1894 Ingalls

(Continued)

FOREIGN PATENT DOCUMENTS

KR 30-0491472 6/2008

OTHER PUBLICATIONS

Containers (Design—© Questel). orbit.com [online PDF] 22 pages.
Uploaded 2014 [retrieved on Mar. 12, 2015]. Retrieved from
Internet < http://standard.www7.orbit.com >.

(Continued)

Primary Examiner — Susan Bennett Hattan

Assistant Examiner — Marie D. Fast Horse

(74) *Attorney, Agent, or Firm* — Foley & Lardner LLP

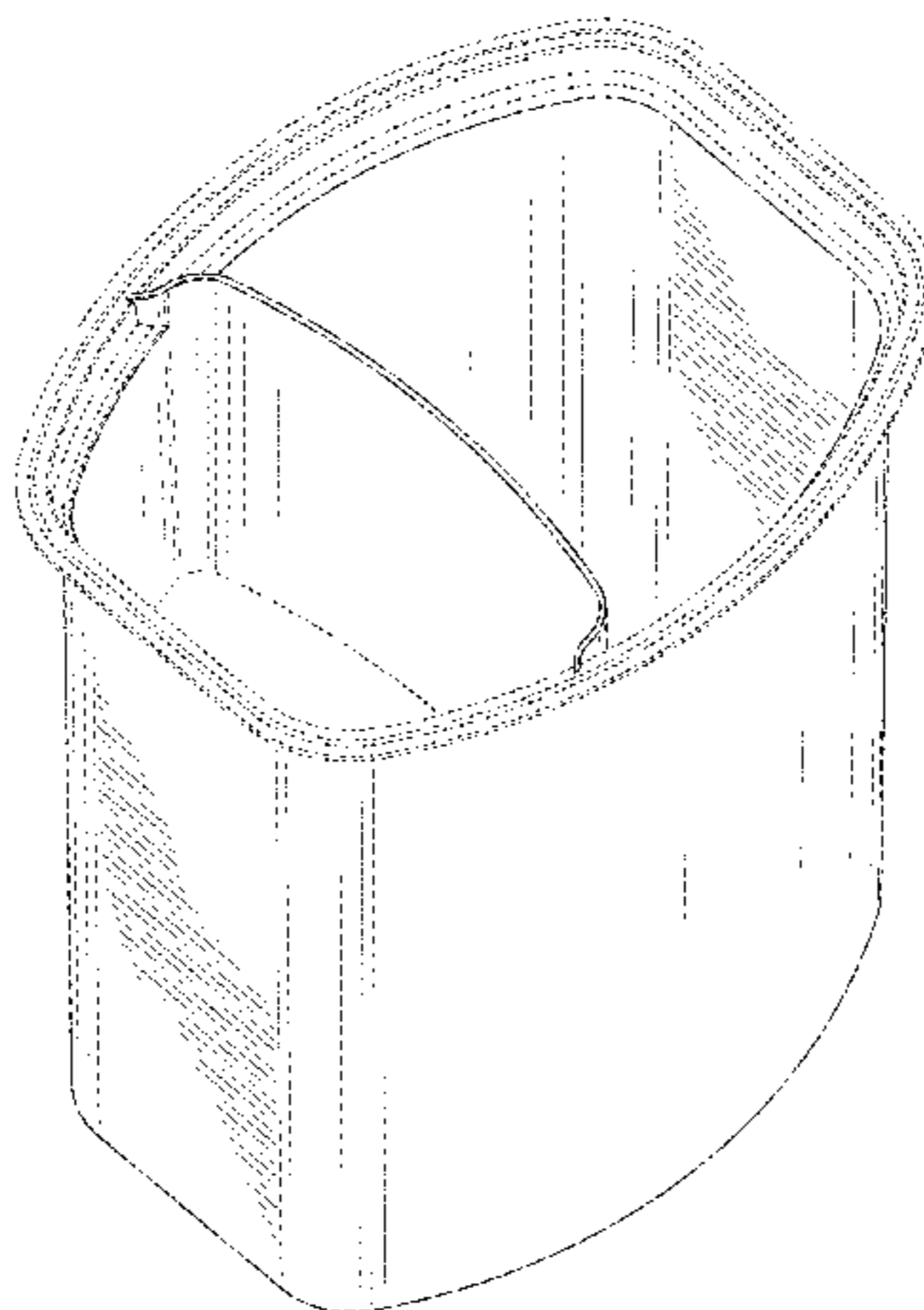
(57) **CLAIM**

I claim the ornamental design for a container, as shown and described.

DESCRIPTION

FIG. 1 is a front perspective view of the claimed design;
FIG. 2 is a right side view of the claimed design of FIG. 1;
FIG. 3 is a left side view of the claimed design of FIG. 1;
FIG. 4 is a back view of the claimed design of FIG. 1;
FIG. 5 is a front view of the claimed design of FIG. 1;
FIG. 6 is a top view of the claimed design of FIG. 1;
FIG. 7 is a bottom view of the claimed design of FIG. 1; and,
FIG. 8 is a cross-sectional elevation bottom view of the
claimed design of FIG. 1, taken along line 8-8 in FIG. 6.
The claim is directed to the solid lines and shaded surfaces,
and any unshaded surfaces shown between the broken and

(Continued)



solid lines form no part of the claim. The broken lines in the drawings depict portions of the container that form no part of the claimed design.

1 Claim, 8 Drawing Sheets

(58) Field of Classification Search

CPC B65D 25/00; B65D 25/04; B65D 25/06;
 B65D 25/20; B65D 77/24; B65D
 77/0433; B65C 77/24; B65C 77/0433
 See application file for complete search history.

(56) References Cited

U.S. PATENT DOCUMENTS

D185,674 S	7/1959	Lumley	
2,958,438 A *	11/1960	Severson	B65D 25/04 206/38
D194,155 S	11/1962	Gottsegen	
D194,474 S	1/1963	Gottsegen	
3,261,494 A	7/1966	Walker	
3,306,489 A	2/1967	Armbruster	
3,391,816 A	7/1968	Swett	
3,394,861 A	7/1968	Truax	
D279,865 S	7/1985	McKee	
D297,115 S	8/1988	Fontana et al.	
D297,116 S	8/1988	Fontana et al.	
D297,117 S	8/1988	Fontana et al.	
D297,118 S	8/1988	Fontana et al.	
D297,119 S	8/1988	Fontana et al.	
4,955,528 A	9/1990	Schluckebier	
D311,869 S	11/1990	Carlson	
4,989,742 A	2/1991	Powell	
5,111,951 A	5/1992	Breen et al.	
D336,701 S	6/1993	Waterston	
D339,522 S	9/1993	Zoss	
5,292,058 A	3/1994	Zoss et al.	
D351,997 S	11/1994	Finnah	
5,495,941 A	3/1996	Leonard	
D370,412 S	6/1996	Rohrer	
D373,081 S	8/1996	Bridger	
D376,311 S	12/1996	Burton	
D381,159 S	7/1997	Hampton	
D393,798 S	4/1998	Joswick	

D394,204 S	5/1998	Seddon	
5,853,105 A	12/1998	Roman et al.	
5,875,957 A	3/1999	Yocum	
D424,426 S	5/2000	Fletcher	
6,119,930 A	9/2000	Lunstra et al.	
D441,511 S	5/2001	Windle	
D443,483 S	6/2001	Gilliam et al.	
D458,429 S	6/2002	Lenard	
D459,046 S	6/2002	Laib	
D471,803 S	3/2003	Trombly	
D472,355 S	3/2003	Keller	
D492,196 S	6/2004	Hyhlik et al.	
D493,590 S	7/2004	Chen	
6,761,283 B1	7/2004	Gilliam et al.	
D515,437 S	2/2006	Lopez-Garcia	
D528,374 S	9/2006	Heiberg et al.	
D529,820 S	10/2006	Kissner et al.	
D531,054 S	10/2006	Sagel	
D532,656 S	11/2006	Littlejohn	
D554,319 S	10/2007	Chen	
D554,320 S	10/2007	Williams	
7,520,417 B2	4/2009	Biedermann et al.	
D597,380 S *	8/2009	Epstein	D7/602
D634,546 S	3/2011	Horwitz	
D644,124 S	8/2011	Cocchioni	
8,328,019 B2	12/2012	Dermo	
D675,518 S	2/2013	Wheaton et al.	
8,944,710 B2	2/2015	Cocchioni	
D748,497 S *	2/2016	Cruz	D9/737
D748,991 S *	2/2016	Cerrato	D9/737
D780,571 S *	3/2017	Crawford	D9/424
2003/0141355 A1	7/2003	McLean, III	
2009/0200310 A1	8/2009	Biederman et al.	
2010/0108686 A1	5/2010	Reichel	
2011/0000919 A1	1/2011	Whalen	
2014/0263354 A1	9/2014	Cerrato	
2014/0319149 A1	10/2014	Freedman et al.	

OTHER PUBLICATIONS

Junk Food Throwdown! Hershey's Spreads Snacksters Vs. Nutella & Go!. Popchix.com [online] 7 pages. Uploaded May 30, 2014 [retrieved on Mar. 12, 2015]. Retrieved from Internet <<http://www.popchix.com/life/life-review-2013/junk-food-throwdown-hersheys-spreads-snacksters-vs.-nutella-go>>.

* cited by examiner

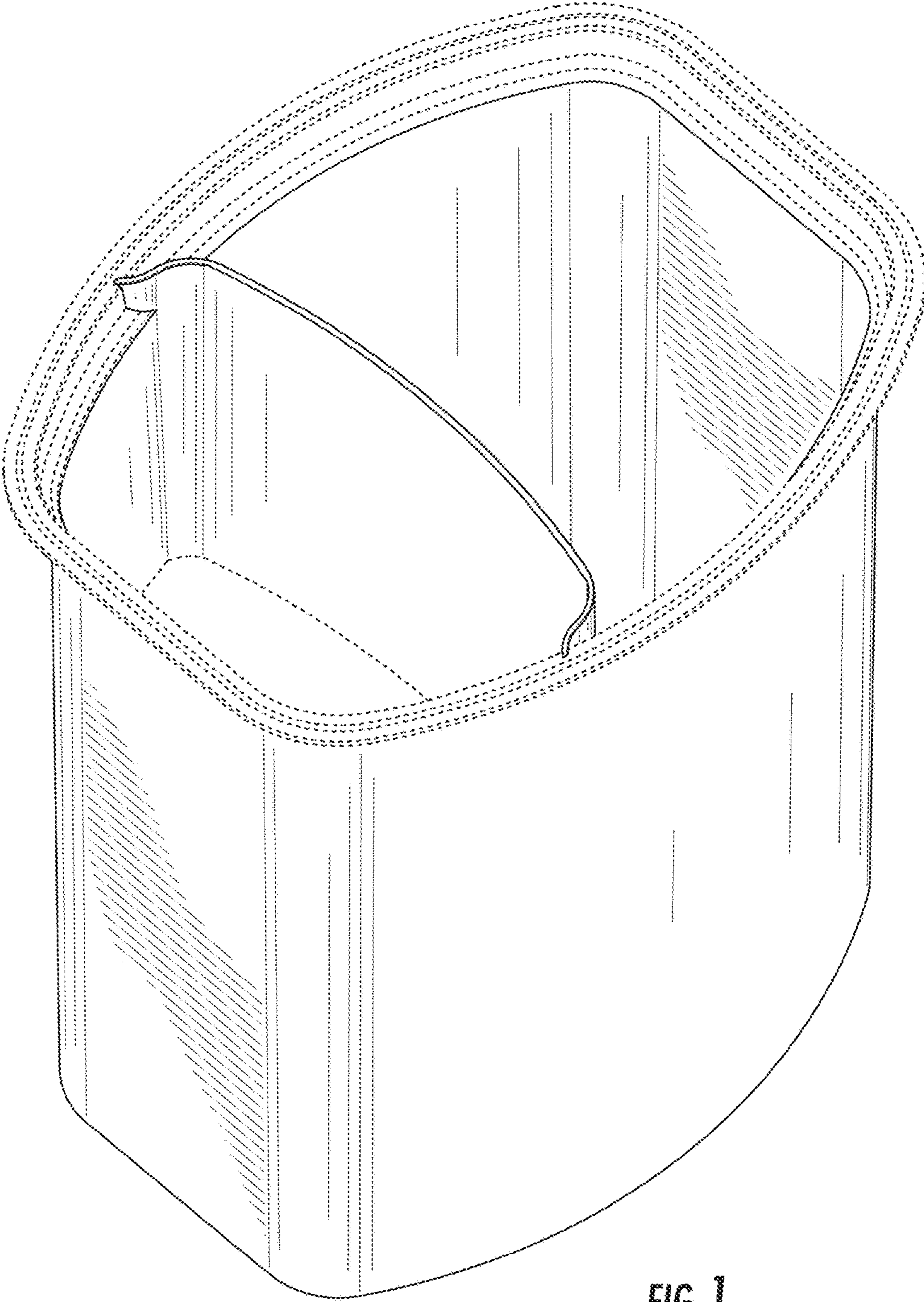


FIG. 1

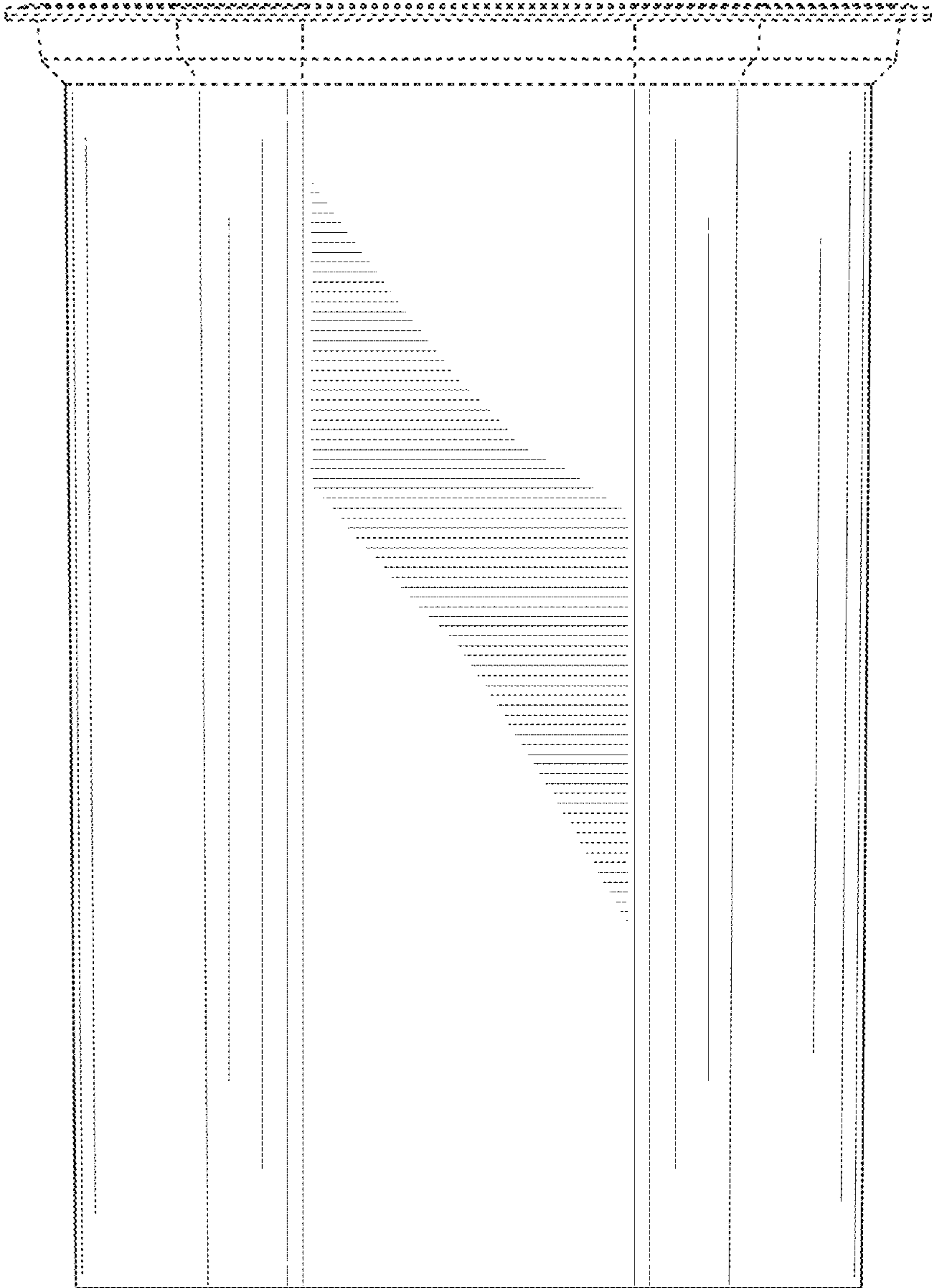


FIG. 2

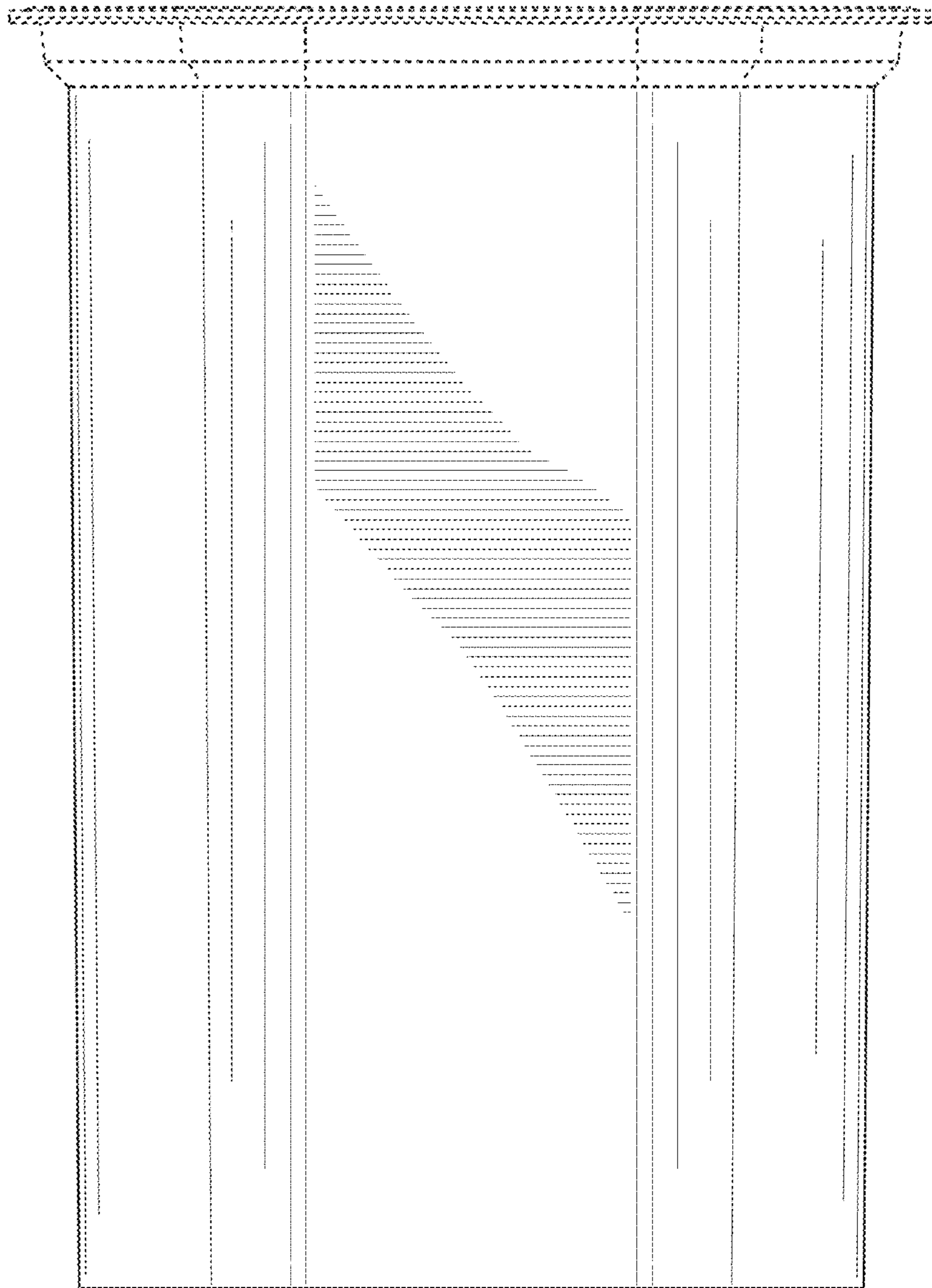


FIG. 3

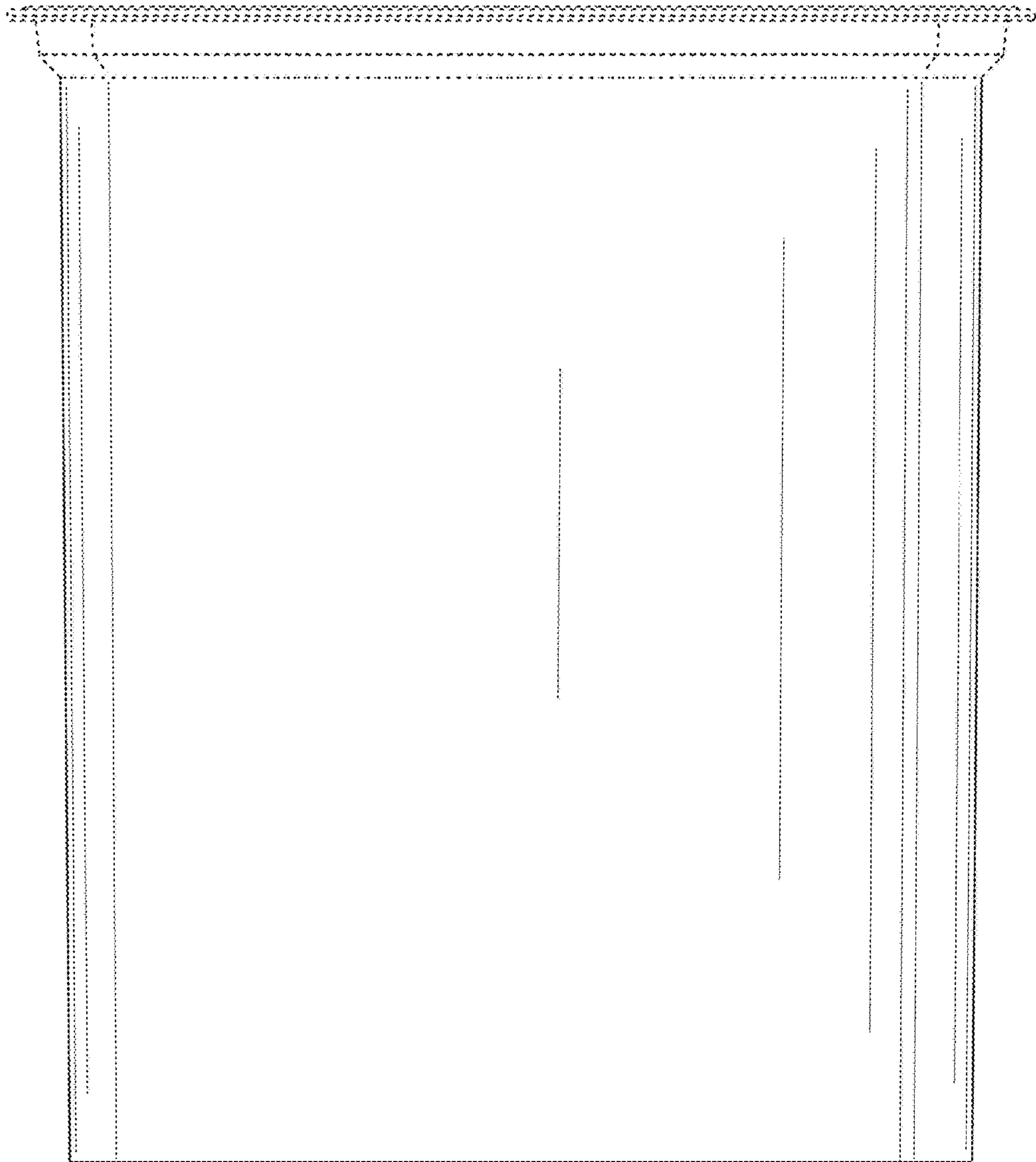


FIG. 4

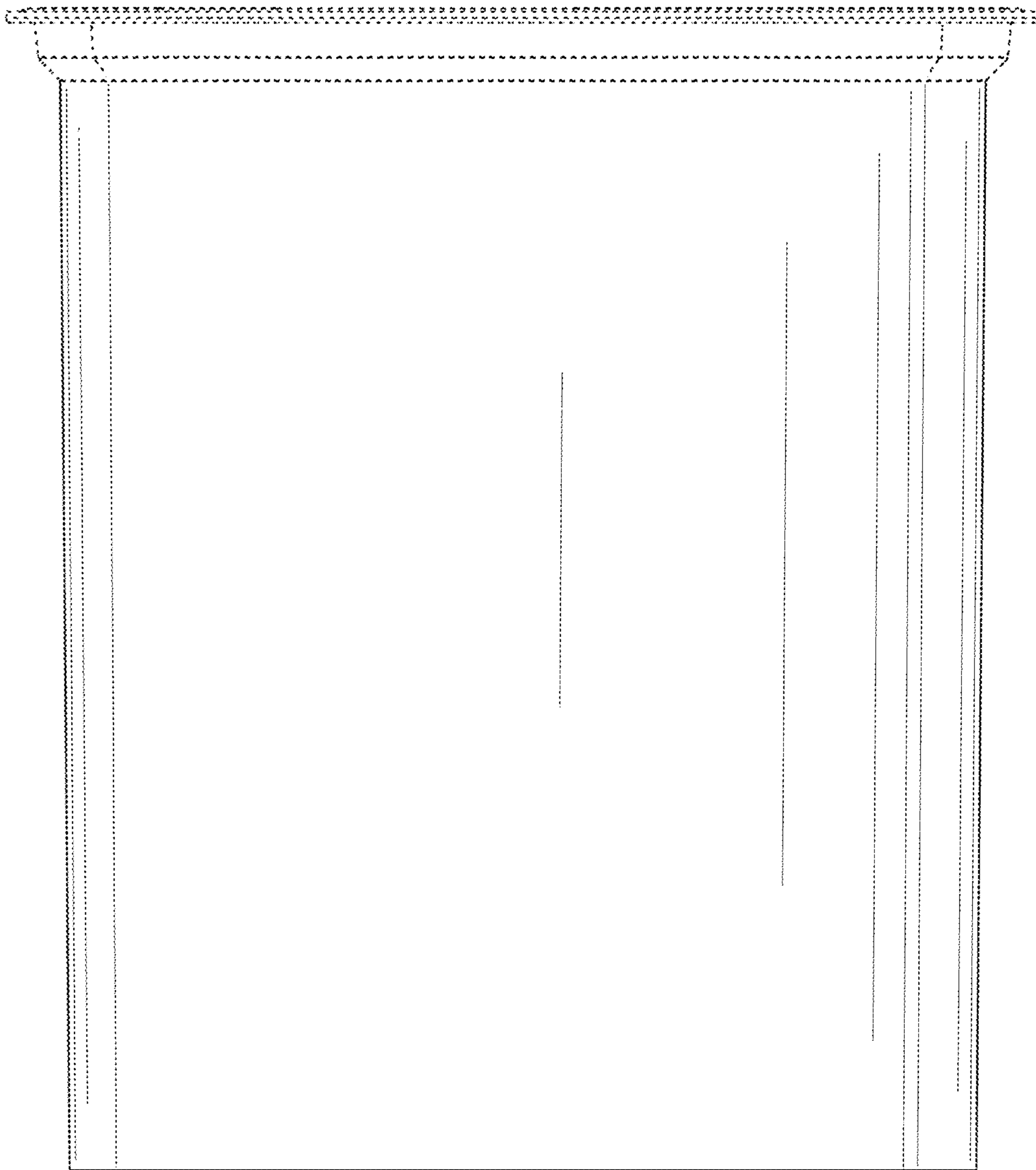


FIG. 5

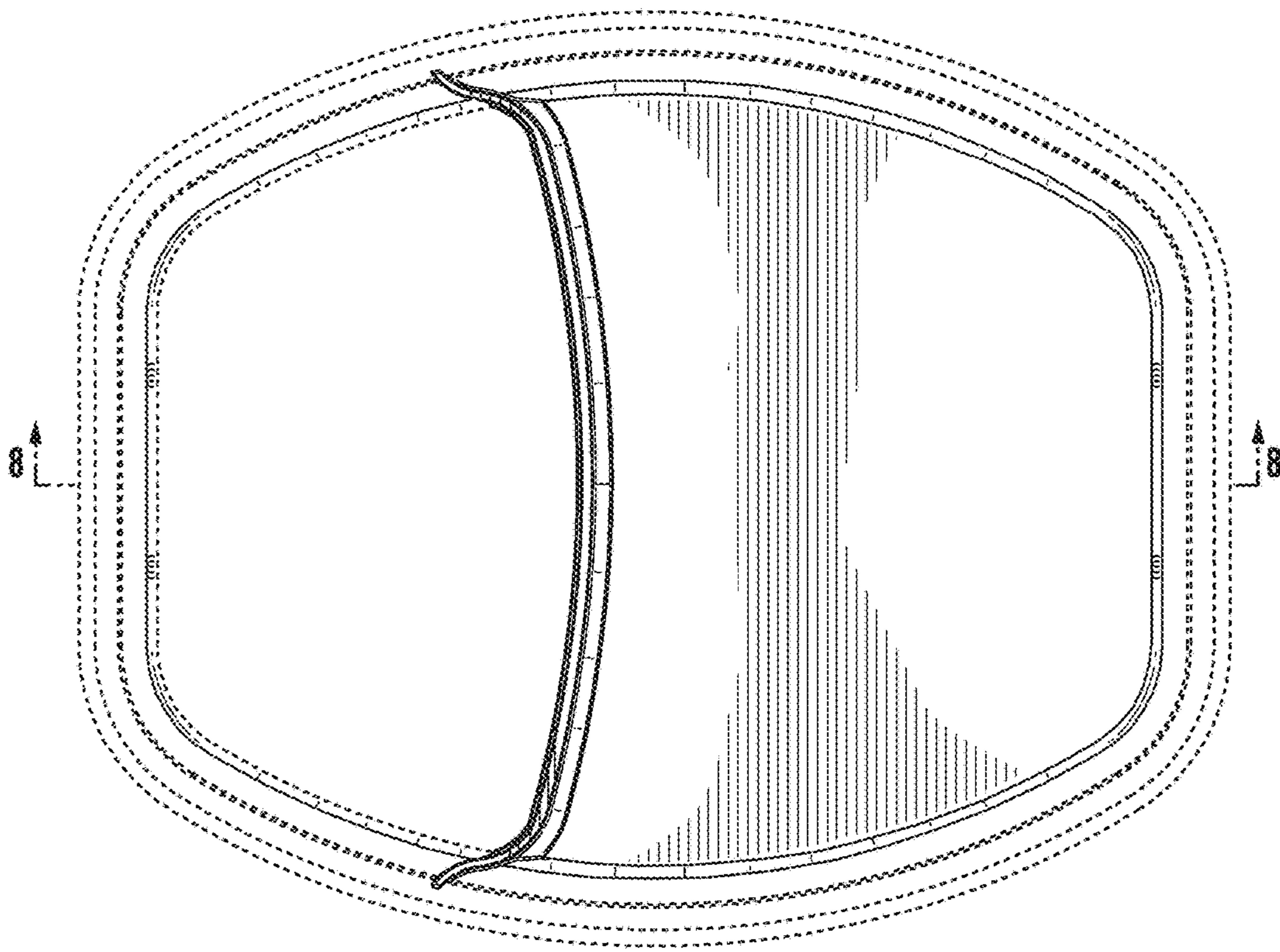


FIG. 6

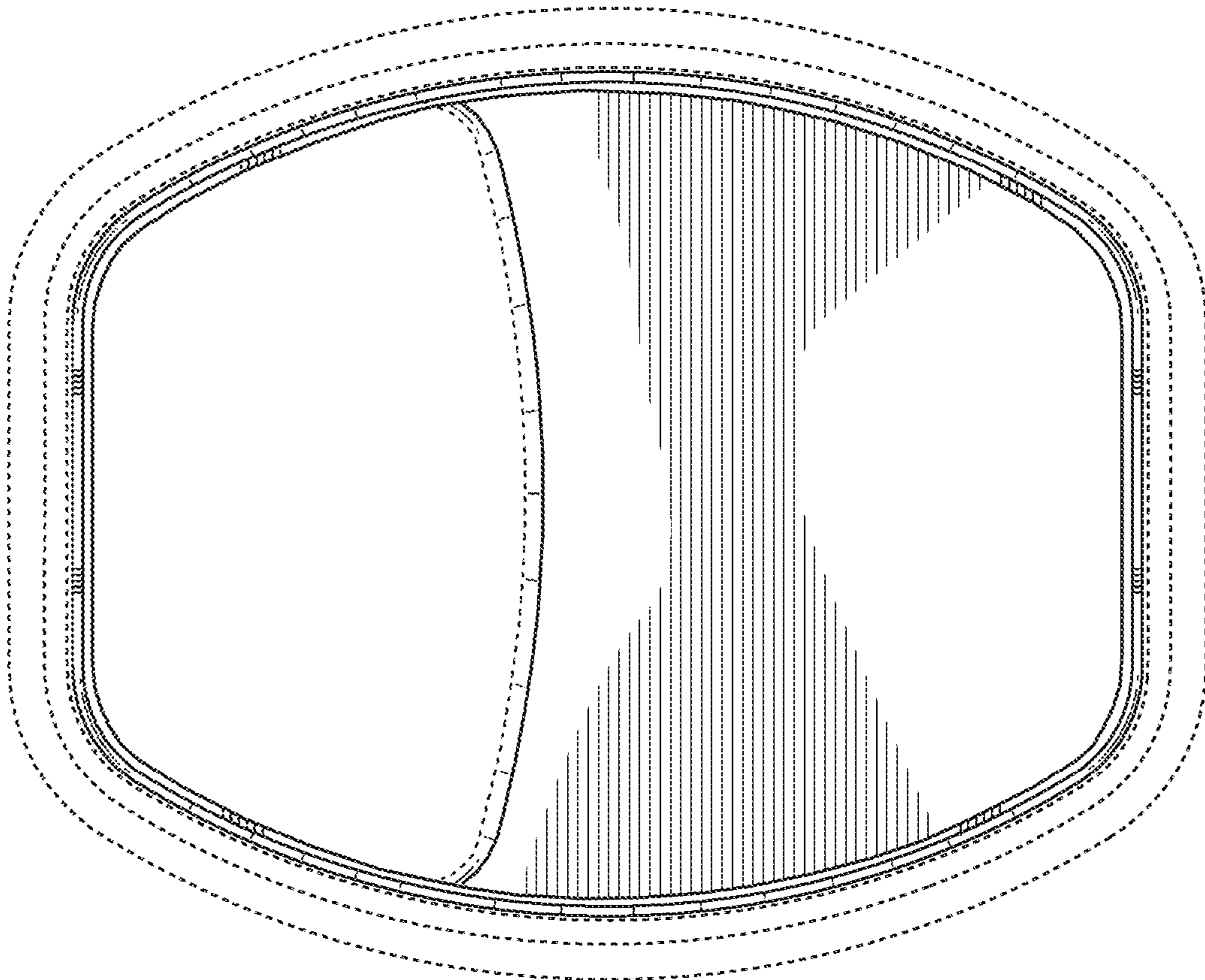


FIG. 7

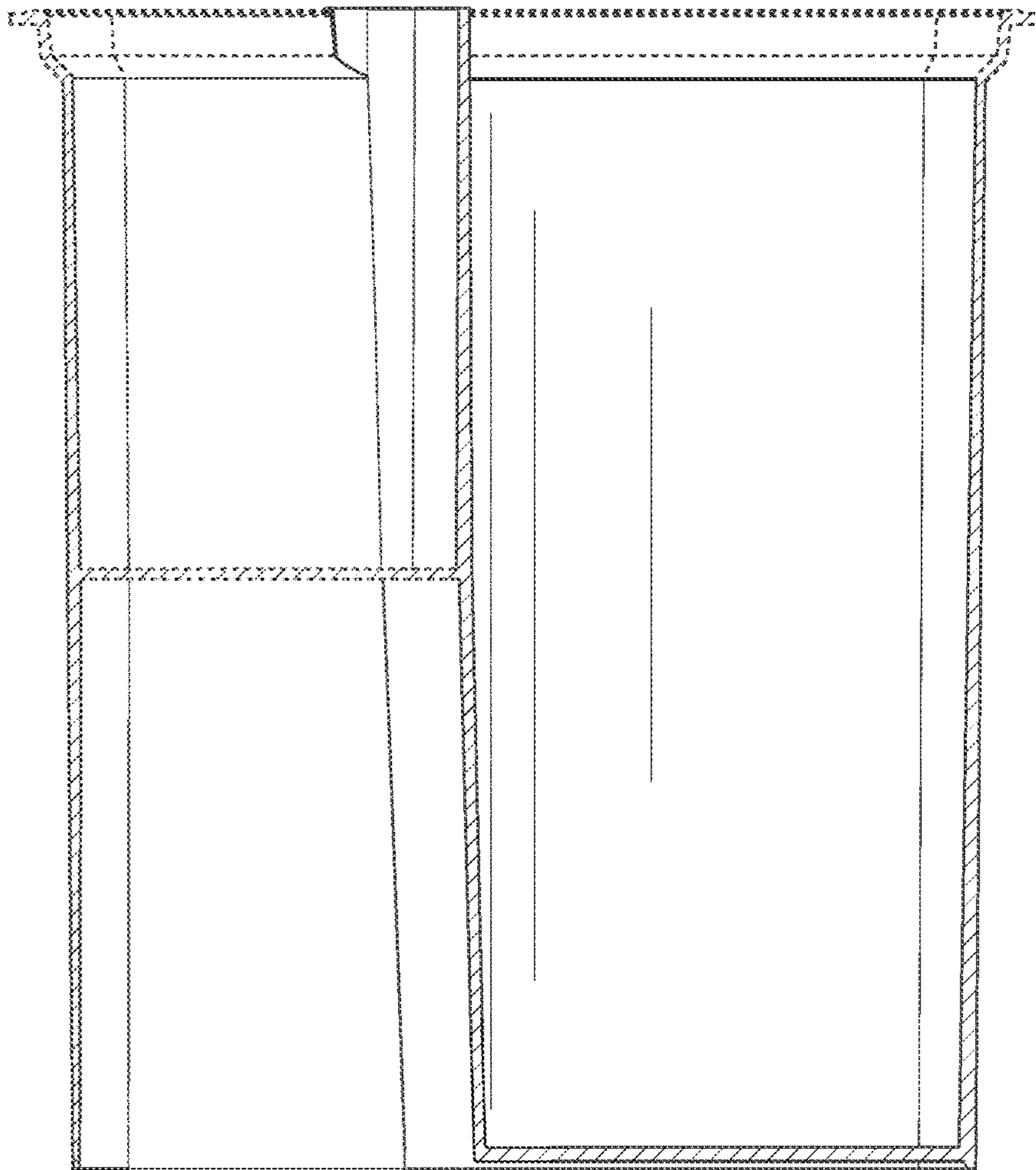


FIG. 8