



US00D816512S

(12) **United States Design Patent** (10) **Patent No.:** **US D816,512 S**  
**Corsi et al.** (45) **Date of Patent:** **\*\* May 1, 2018**

(54) **COSMETICS HOLDER**

(71) Applicants: **Steve Corsi**, Los Angeles, CA (US);  
**Jacky Gunter**, Westlake Village, CA  
(US); **Angela Munoz**, Burbank, CA  
(US); **Kristen O’Connell**, Woodland  
Hills, CA (US)

(72) Inventors: **Steve Corsi**, Los Angeles, CA (US);  
**Jacky Gunter**, Westlake Village, CA  
(US); **Angela Munoz**, Burbank, CA  
(US); **Kristen O’Connell**, Woodland  
Hills, CA (US)

(73) Assignee: **THE ROBERTS CONTAINER  
CORP.**, Chatsworth, CA (US)

(\*\*) Term: **15 Years**

(21) Appl. No.: **29/577,194**

(22) Filed: **Sep. 9, 2016**

**Related U.S. Application Data**

(63) Continuation of application No. 15/257,911, filed on  
Sep. 7, 2016.

(51) **LOC (11) Cl.** ..... **09-01**

(52) **U.S. Cl.**  
USPC ..... **D9/727**

(58) **Field of Classification Search**  
USPC ..... D3/289, 290, 298, 314; D9/523, 548,  
D9/549, 572, 573, 723, 724, 726;  
D28/73, 83, 85; 206/385, 438, 823;  
222/206, 212, 213, 215; 604/295;  
606/204.25  
CPC ..... A45D 34/04; A45D 34/042; B65D 1/023;  
B65D 47/18; B65D 41/02; B65D 2203/00  
See application file for complete search history.

(56) **References Cited**

U.S. PATENT DOCUMENTS

D386,001	S	*	11/1997	Saffran	.....	D9/423
D414,105	S	*	9/1999	Wilson	.....	D9/727
6,439,403	B1	*	8/2002	Levsen	.....	A47G 21/14 211/70.7
D473,461	S	*	4/2003	Joubert	.....	D9/782
D653,537	S	*	2/2012	Lee	.....	B65D 83/04 D9/432
D688,569	S	*	8/2013	Weeston	.....	D9/727
D731,308	S	*	6/2015	Tussy	.....	D9/432
D731,309	S	*	6/2015	Lee	.....	D9/432

\* cited by examiner

*Primary Examiner* — Derrick E Holland

*Assistant Examiner* — Janice Julia Patyk

(74) *Attorney, Agent, or Firm* — Law Office of David  
Hong

(57) **CLAIM**

The ornamental design for a cosmetics holder, as shown and  
described.

**DESCRIPTION**

FIG. 1 is a perspective view of a cosmetics holder, showing  
our new design;

FIG. 2 is a side elevational view thereof, and the opposite  
side view being a mirror image thereof;

FIG. 3 is a front elevational view thereof;

FIG. 4 is a rear elevational view thereof;

FIG. 5 is a top view thereof; and,

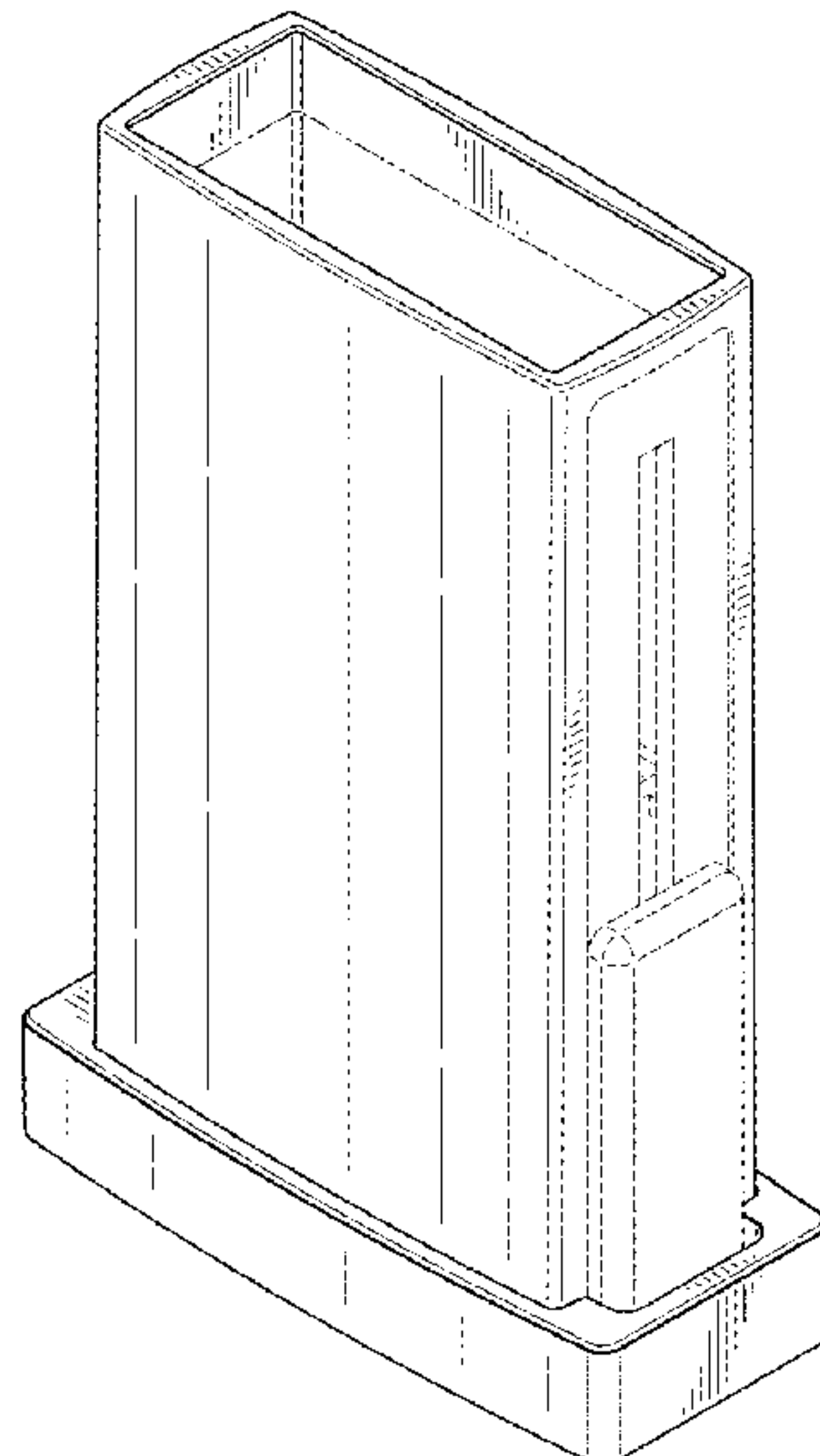
FIG. 6 is a bottom view thereof.

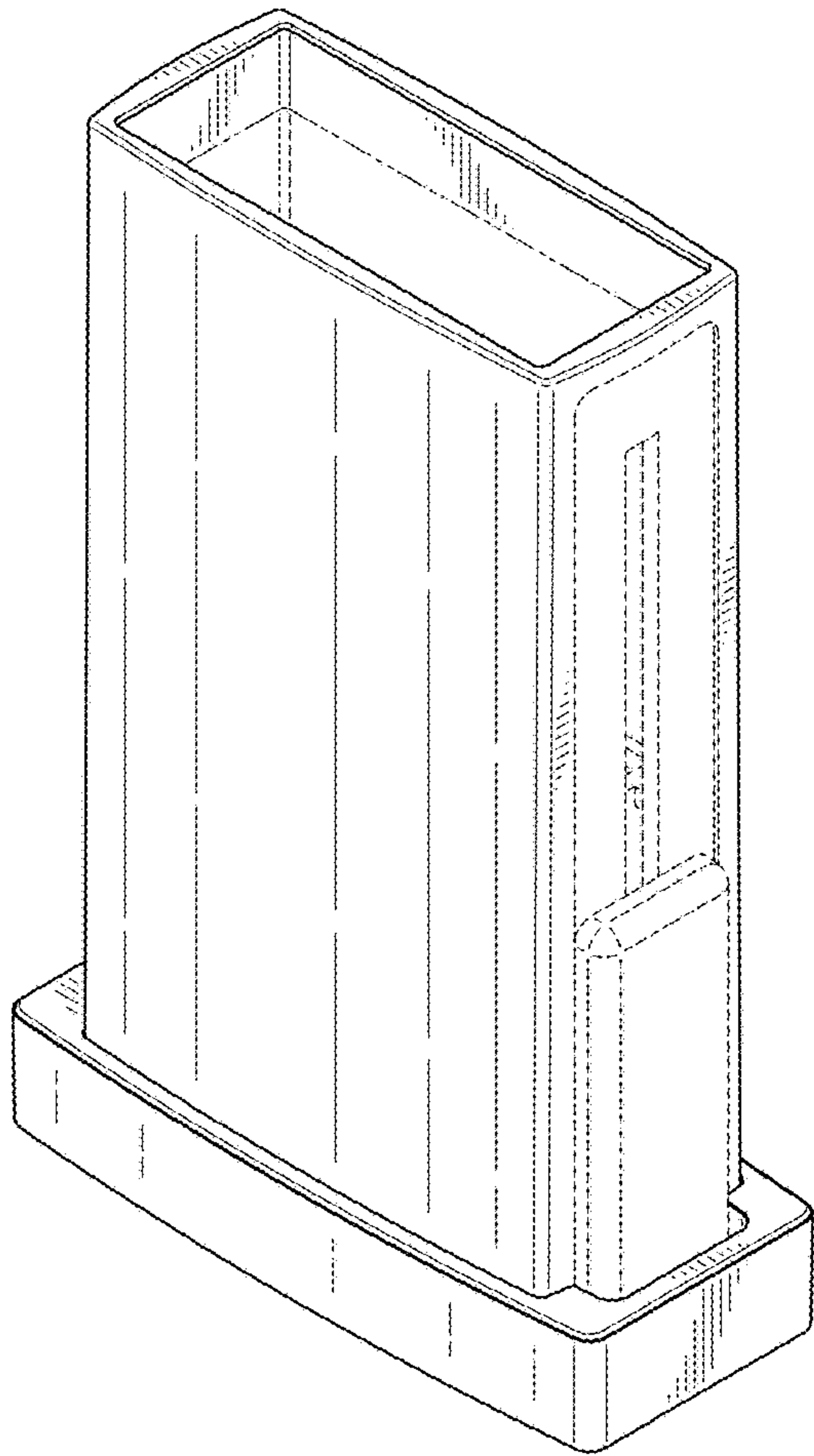
The dot-dot-dash broken lines immediately adjacent to the  
claimed areas in the views represent the boundaries of the  
design and form no part thereof.

The broken lines in the figures illustrate the portions of the  
design that form no part of the claimed design.

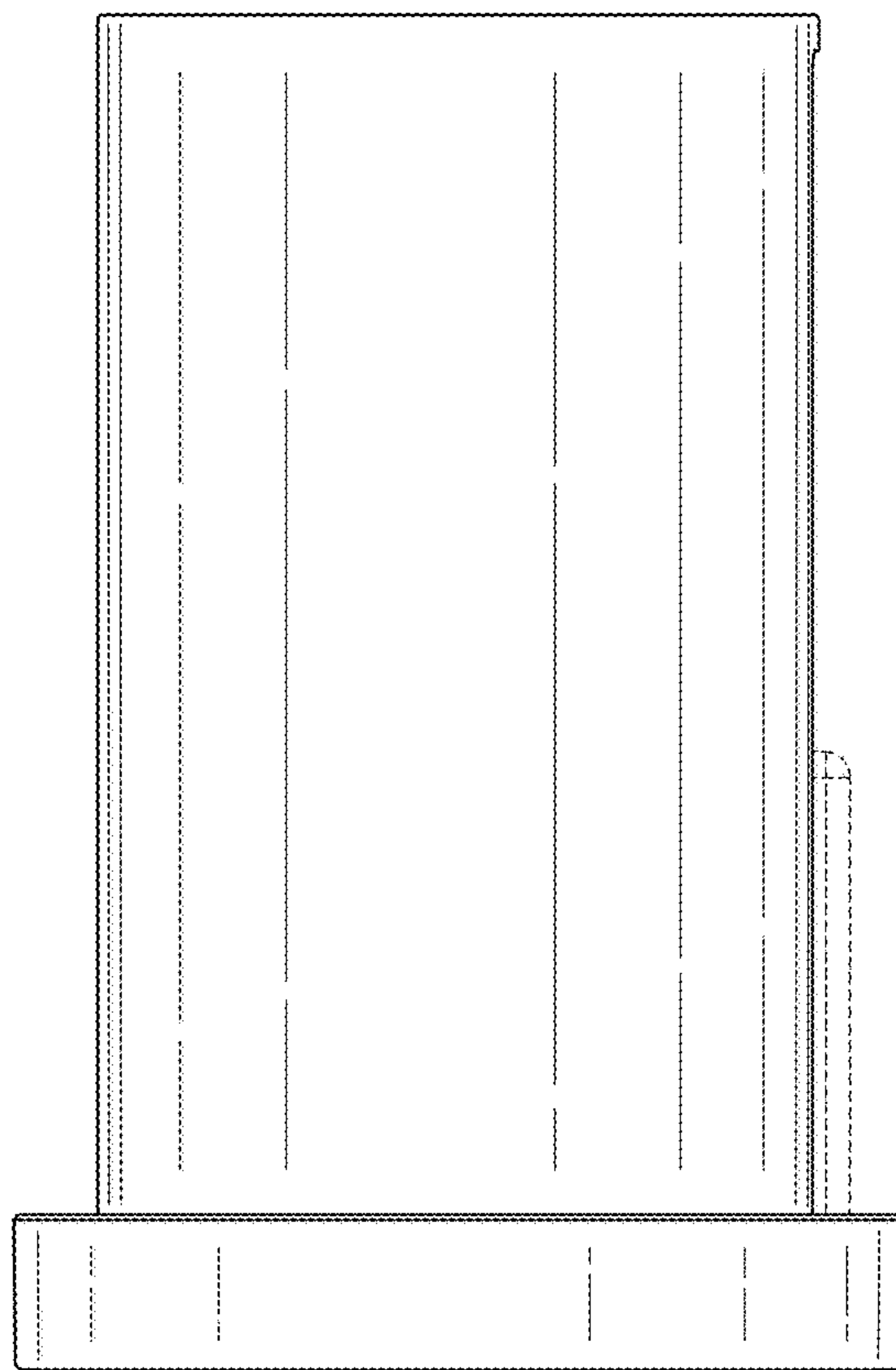
None of the broken lines form any part of the claimed  
design.

**1 Claim, 2 Drawing Sheets**

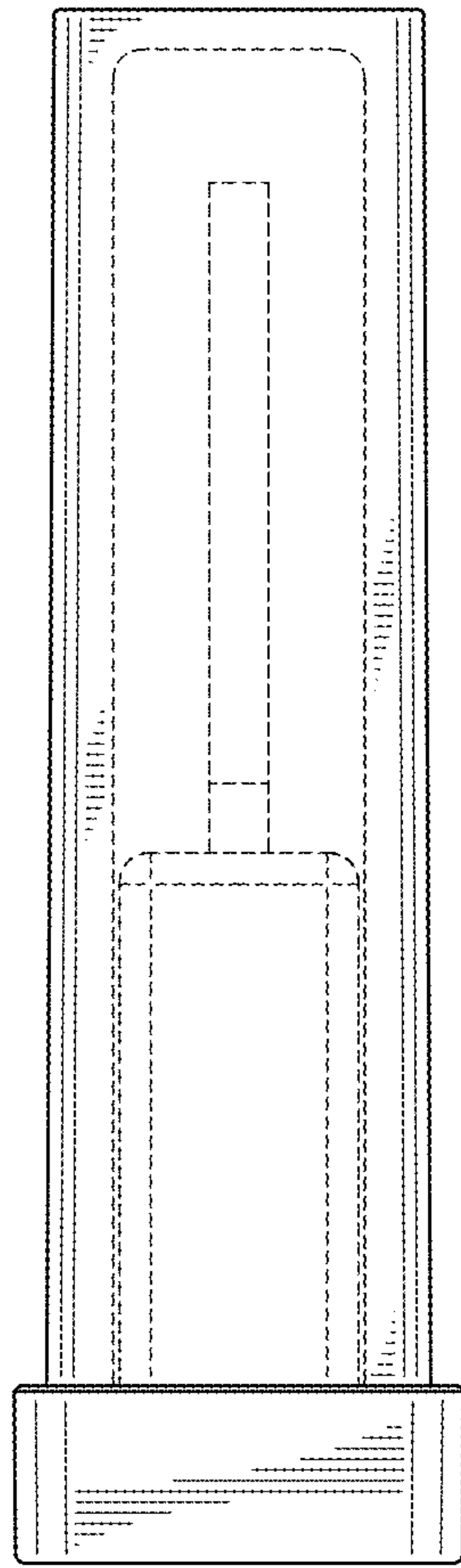




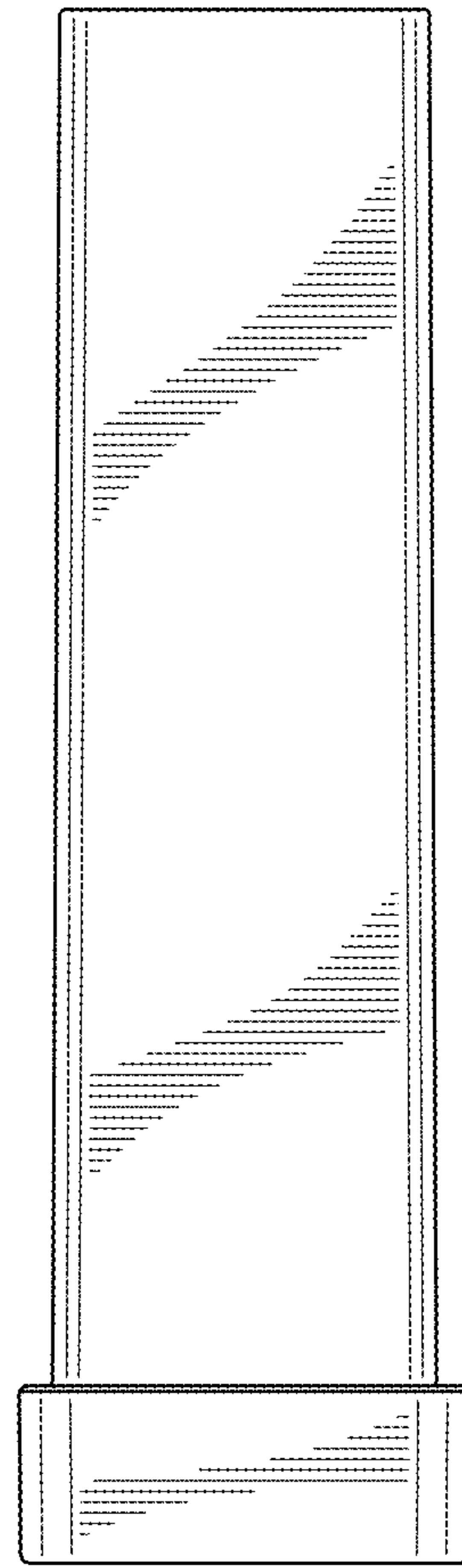
*FIG. 1*



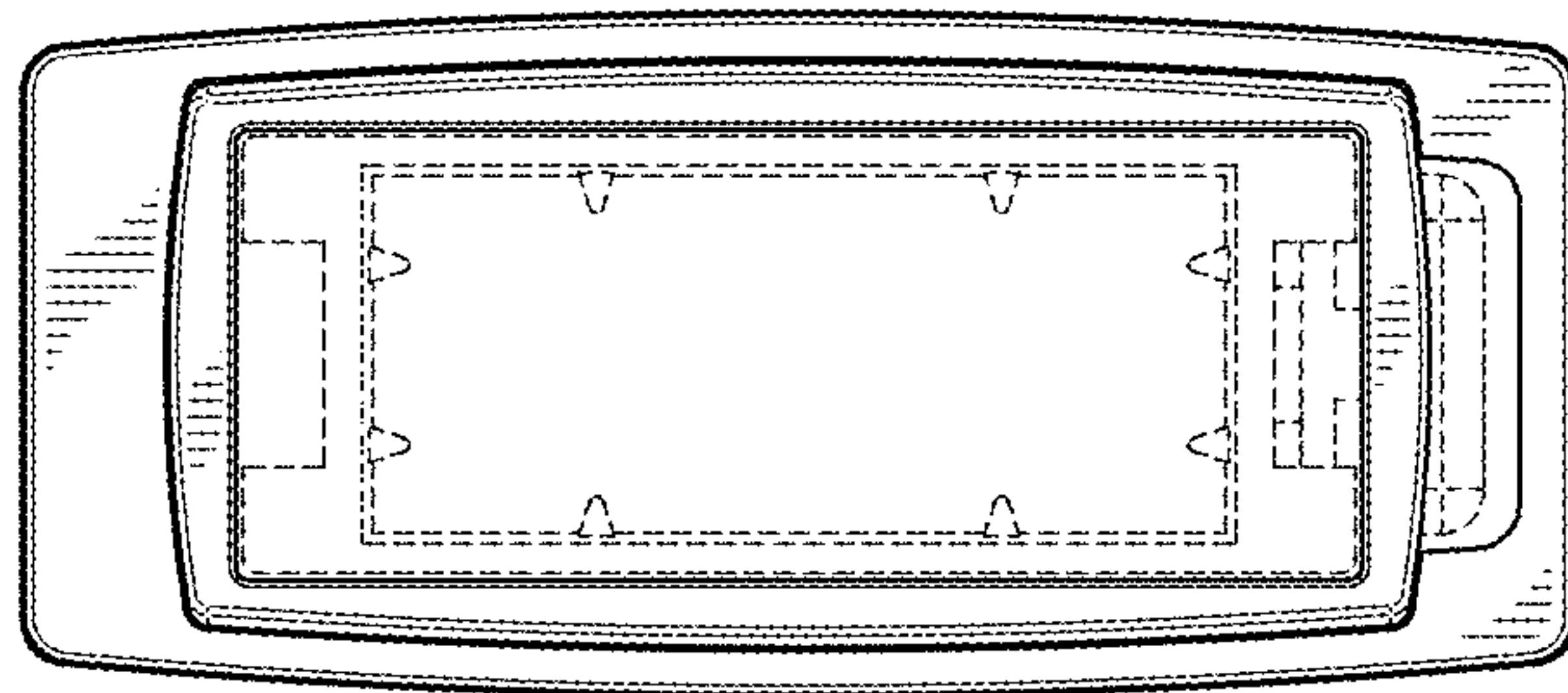
*FIG. 2*



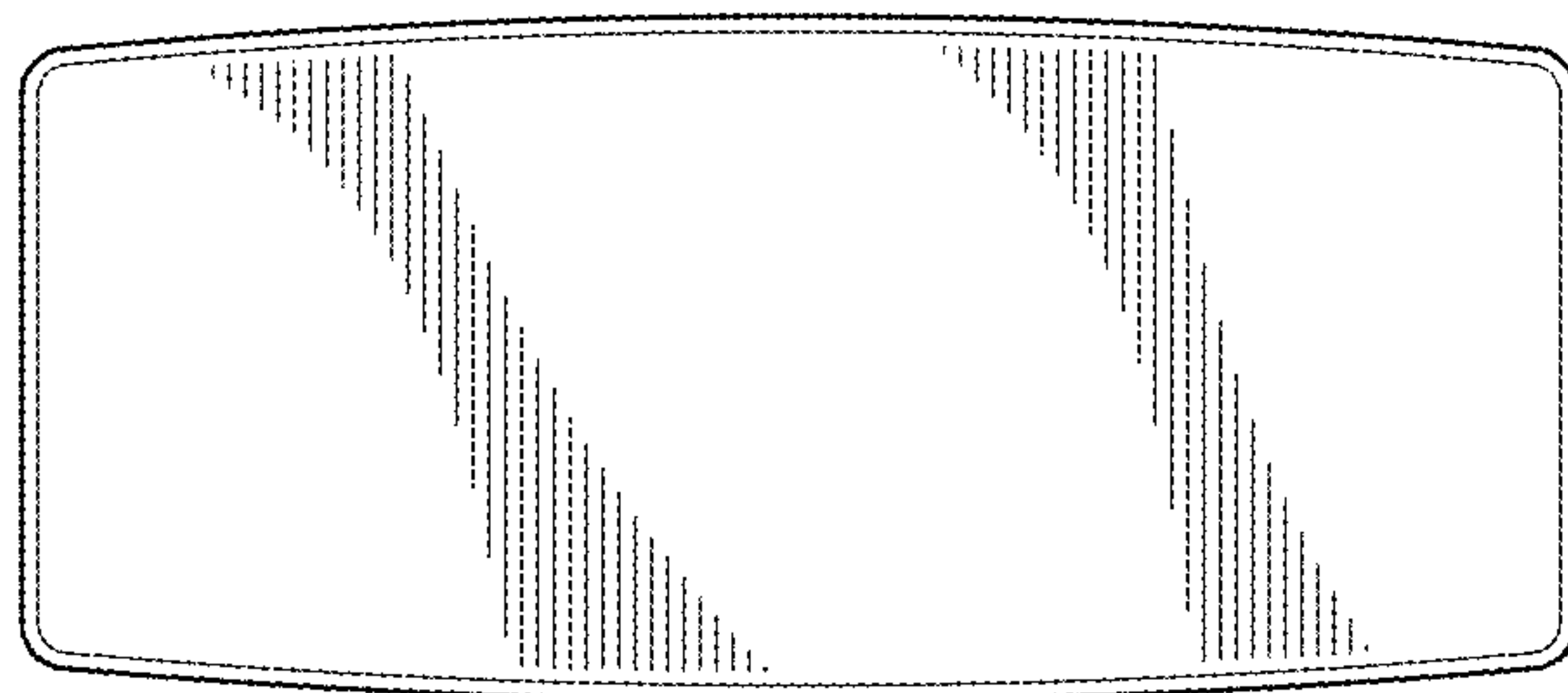
*FIG. 3*



*FIG. 4*



*FIG. 5*



*FIG. 6*