



US00D816506S

(12) **United States Design Patent**
Jones et al.

(10) **Patent No.:** **US D816,506 S**
(45) **Date of Patent:** **** May 1, 2018**

- (54) **VIAL FOR A SCENT DISPENSER**
- (71) Applicant: **Pura Scents, Inc.**, Orem, UT (US)
- (72) Inventors: **Brian Aaron Jones**, Orem, UT (US);
Bruno Miranda Lima, Orem, UT (US); **Richard Nathaniel Stapler, III**, Orem, UT (US)
- (73) Assignee: **Pura Scents, Inc.**, Orem

4,396,143 A	8/1983	Killy	
D271,565 S *	11/1983	Slater	D24/117
4,483,769 A	11/1984	Sherman	
4,490,075 A	12/1984	Risi et al.	
4,523,604 A	6/1985	Hutto	
4,530,497 A	7/1985	Moran et al.	
4,544,305 A	10/1985	Hair	
4,557,720 A	12/1985	Hemphill	
4,562,960 A	1/1986	Marty et al.	
4,563,937 A	1/1986	White	
4,577,653 A	3/1986	Marty	
4,583,341 A	4/1986	Barth et al.	

(Continued)

(**) Term: **15 Years**

(21) Appl. No.: **29/544,344**

(22) Filed: **Nov. 2, 2015**

(51) **LOC (11) Cl.** **09-01**

(52) **U.S. Cl.**
USPC **D9/560**; D9/520; D9/573

(58) **Field of Classification Search**
USPC D9/516, 520, 560, 567, 570, 572, 573,
D9/574, 715, 719; D28/73, 76-77, 91;
D3/203.1
CPC ... B65D 1/02; B65D 1/04; B65D 1/12; B65D
1/18; B65D 1/20; B65D 2501/0081;
B65D 5/5045; B65D 81/361
See application file for complete search history.

FOREIGN PATENT DOCUMENTS

EP	0345149 A3	12/1989
WO	9012600	11/1990

(Continued)

Primary Examiner — Ian Simmons

Assistant Examiner — Keith Frank

(74) *Attorney, Agent, or Firm* — Patent Law Works LLP

(57) **CLAIM**

The ornamental design for a vial for a scent dispenser, as shown and described.

DESCRIPTION

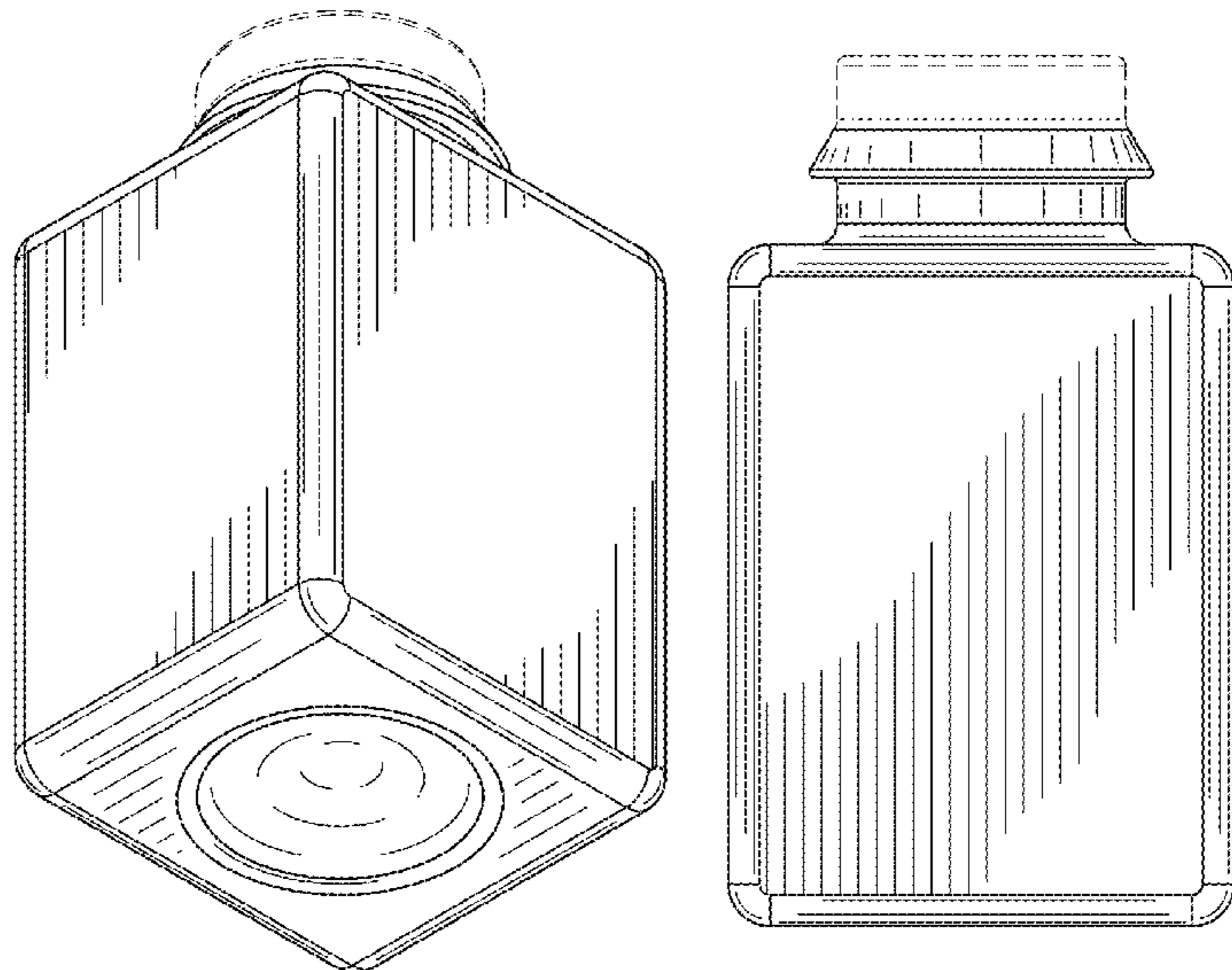
FIG. 1 is a top perspective view of a vial for a scent dispenser showing our new design;
FIG. 2 is a bottom perspective view thereof;
FIG. 3 is a top plan view thereof;
FIG. 4 is a bottom plan view thereof;
FIG. 5 is a front elevation view, the rear elevation view being the same thereof; and,
FIG. 6 is a left side elevation view, the right side elevation view being the same thereof.
Within the drawings, the dashed lines show unclaimed portions of the vial for a scent dispenser, and form no part of the claimed design.

(56) **References Cited**

U.S. PATENT DOCUMENTS

2,732,148 A	1/1956	Lummis	
3,195,581 A	7/1965	Brosseit	
3,645,493 A	2/1972	Manoogian et al.	
3,786,995 A	1/1974	Manoogian et al.	
3,876,498 A	4/1975	Justus	
3,923,593 A	12/1975	Verseput	
4,043,359 A	8/1977	Christo	
4,128,357 A	12/1978	Barth et al.	
4,218,785 A	8/1980	Crawford et al.	
4,331,289 A	5/1982	Killy	
D270,331 S *	8/1983	Benson	D9/520

1 Claim, 3 Drawing Sheets



(56)

References Cited

U.S. PATENT DOCUMENTS

4,586,255 A 5/1986 Jacobson
 4,593,430 A 6/1986 Spangler et al.
 4,601,148 A 7/1986 Risi et al.
 4,624,051 A 11/1986 Apprille, Jr. et al.
 4,696,322 A 9/1987 Knapp et al.
 4,703,875 A 11/1987 Malek
 4,707,592 A 11/1987 Ware
 4,722,847 A 2/1988 Heckert
 4,765,365 A 8/1988 Roland
 4,767,547 A 8/1988 Straathof et al.
 4,802,255 A 2/1989 Breuer et al.
 4,807,401 A 2/1989 Atwater
 4,834,575 A 5/1989 Barth et al.
 4,837,613 A 6/1989 Paxton et al.
 4,864,898 A 9/1989 Tricinella
 4,869,928 A 9/1989 Kurumatani et al.
 4,885,155 A 12/1989 Parran, Jr. et al.
 4,905,337 A 3/1990 McKay
 4,916,817 A 4/1990 Atwater
 4,929,351 A 5/1990 Sauborn
 4,949,600 A 8/1990 Tricinella
 4,969,996 A 11/1990 Hankammer
 4,981,239 A 1/1991 Cappel et al.
 4,986,420 A 1/1991 Gunn et al.
 5,000,356 A 3/1991 Johnson et al.
 5,009,828 A 4/1991 McCree
 5,027,465 A 7/1991 McKay
 5,050,103 A 9/1991 Schiller et al.
 5,059,282 A 10/1991 Ampulski et al.
 5,063,062 A 11/1991 Greenspan et al.
 5,073,235 A 12/1991 Trokhan
 5,094,761 A 3/1992 Trinh
 5,156,834 A 10/1992 Beckmeyer et al.
 5,191,525 A 3/1993 LeBrun et al.
 5,297,725 A 3/1994 Sutherland
 5,376,006 A 12/1994 Fischer
 5,511,122 A 4/1996 Atkinson
 5,535,474 A 7/1996 Salazar
 5,541,170 A 7/1996 Rhodes et al.
 5,583,122 A 12/1996 Benedict et al.
 5,620,965 A 4/1997 Blank
 5,652,228 A 7/1997 Bissett
 5,687,259 A 11/1997 Linfoord
 5,687,485 A 11/1997 Shurtleff et al.
 5,721,005 A 2/1998 Gutwein et al.
 5,735,011 A 4/1998 Asher
 5,746,598 A 5/1998 Fischer
 5,761,814 A 6/1998 Anderson et al.
 5,783,544 A 7/1998 Trinh et al.
 5,849,728 A 12/1998 Bissett
 5,872,112 A 2/1999 Blank
 5,891,453 A 4/1999 Sagel et al.
 5,894,017 A 4/1999 Sagel et al.
 D411,456 S 6/1999 Mast et al.
 5,922,307 A 7/1999 Montgomery
 5,924,597 A 7/1999 Lynn
 5,926,897 A 7/1999 Volpenhein
 5,930,474 A 7/1999 Dunworth et al.
 5,956,848 A 9/1999 Tseng et al.
 5,956,851 A 9/1999 Apprille, Jr. et al.
 5,989,569 A 11/1999 Dirksing et al.
 5,997,890 A 12/1999 Sine et al.
 6,026,532 A 2/2000 Catanzaro
 6,041,926 A 3/2000 Petricca et al.
 6,045,811 A 4/2000 Dirksing et al.

6,052,903 A 4/2000 Metcalf et al.
 6,067,525 A 5/2000 Johnson et al.
 6,077,318 A 6/2000 Trinh et al.
 6,096,342 A 8/2000 Dansereau et al.
 6,118,248 A 9/2000 Gartstein et al.
 6,126,980 A 10/2000 Smith et al.
 6,165,513 A 12/2000 Dansereau et al.
 6,185,822 B1 2/2001 Tseng et al.
 6,202,150 B1 3/2001 Young et al.
 6,212,777 B1 4/2001 Gilder et al.
 6,232,523 B1 5/2001 Tan et al.
 6,235,968 B1 5/2001 Tan et al.
 6,248,135 B1 6/2001 Trinh et al.
 6,248,390 B1 6/2001 Stillman
 6,251,384 B1 6/2001 Tan et al.
 6,265,008 B1 7/2001 Smith et al.
 6,266,674 B1 7/2001 Hejna, Jr.
 6,278,455 B1 8/2001 Baker
 6,284,007 B1 9/2001 Tao
 6,308,359 B2 10/2001 Fritsch et al.
 6,326,040 B1 12/2001 Kearney et al.
 6,331,292 B1 12/2001 Montgomery
 6,367,108 B1 4/2002 Fritsch et al.
 6,457,969 B1 10/2002 Khosla
 6,487,367 B2 11/2002 Vieira
 6,497,735 B2 12/2002 Tao
 6,579,516 B1 6/2003 Mansouri
 D487,660 S 3/2004 Sayers et al.
 6,712,287 B1 3/2004 Le Pesant et al.
 D494,476 S * 8/2004 Cwynar-Laska D9/560
 D526,206 S * 8/2006 Varlet D9/560
 D527,646 S * 9/2006 Cornet D9/560
 7,131,603 B2 11/2006 Sakaida et al.
 7,188,100 B2 3/2007 De Bellis et al.
 RE40,464 E 8/2008 Vieira
 D577,599 S * 9/2008 Moretti D9/560
 7,574,432 B1 8/2009 De Bellis
 D602,785 S * 10/2009 Rothberg D9/547
 D603,717 S * 11/2009 Rica D9/560
 D604,174 S * 11/2009 Rica D9/560
 D615,415 S 5/2010 Holmes et al.
 7,712,683 B2 5/2010 Robert et al.
 D623,532 S 9/2010 Kuzma et al.
 7,930,068 B2 4/2011 Robert et al.
 D643,295 S * 8/2011 Sadler D9/522
 D665,262 S * 8/2012 Regas D9/516
 8,346,894 B2 1/2013 Arunchalam
 8,429,005 B2 4/2013 Mannik et al.
 D717,661 S * 11/2014 McIntire D9/560
 D734,159 S * 7/2015 Brisson D9/560
 D736,635 S * 8/2015 Sadler D9/522
 D741,720 S * 10/2015 Anandani D9/560
 D742,242 S * 11/2015 McDaniel D9/553
 D756,234 S * 5/2016 Orset D9/560
 D767,405 S * 9/2016 Orset D9/453
 D769,124 S * 10/2016 Wieland D9/548
 D776,544 S * 1/2017 Staab D9/520
 2004/0005240 A1 1/2004 Adiga et al.
 2004/0007556 A1 * 1/2004 Manera B65D 41/06
 215/332
 2004/0050951 A1 3/2004 Almero

FOREIGN PATENT DOCUMENTS

WO 9623530 8/1996
 WO 2004080604 A2 9/2004

* cited by examiner

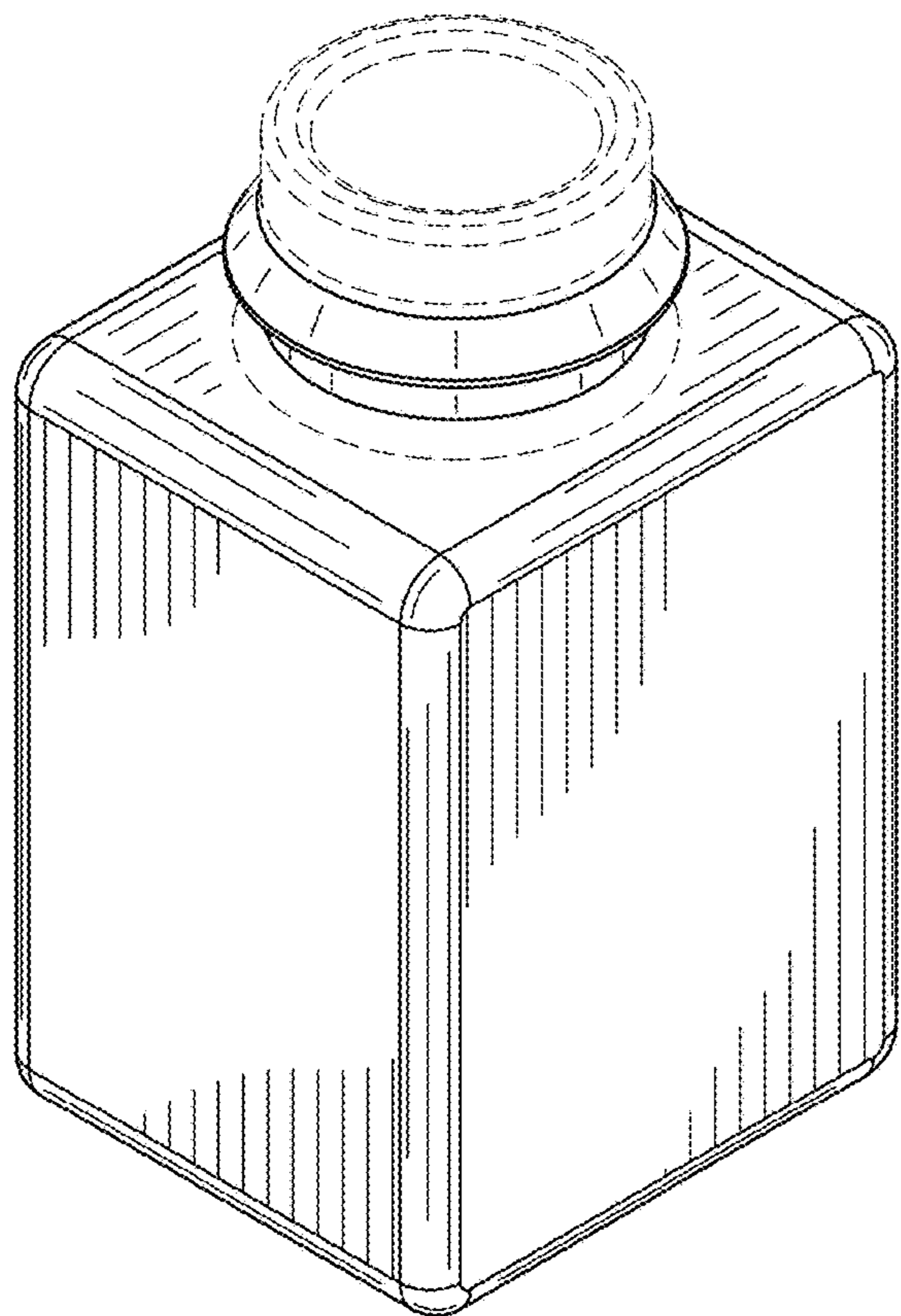


Figure 1

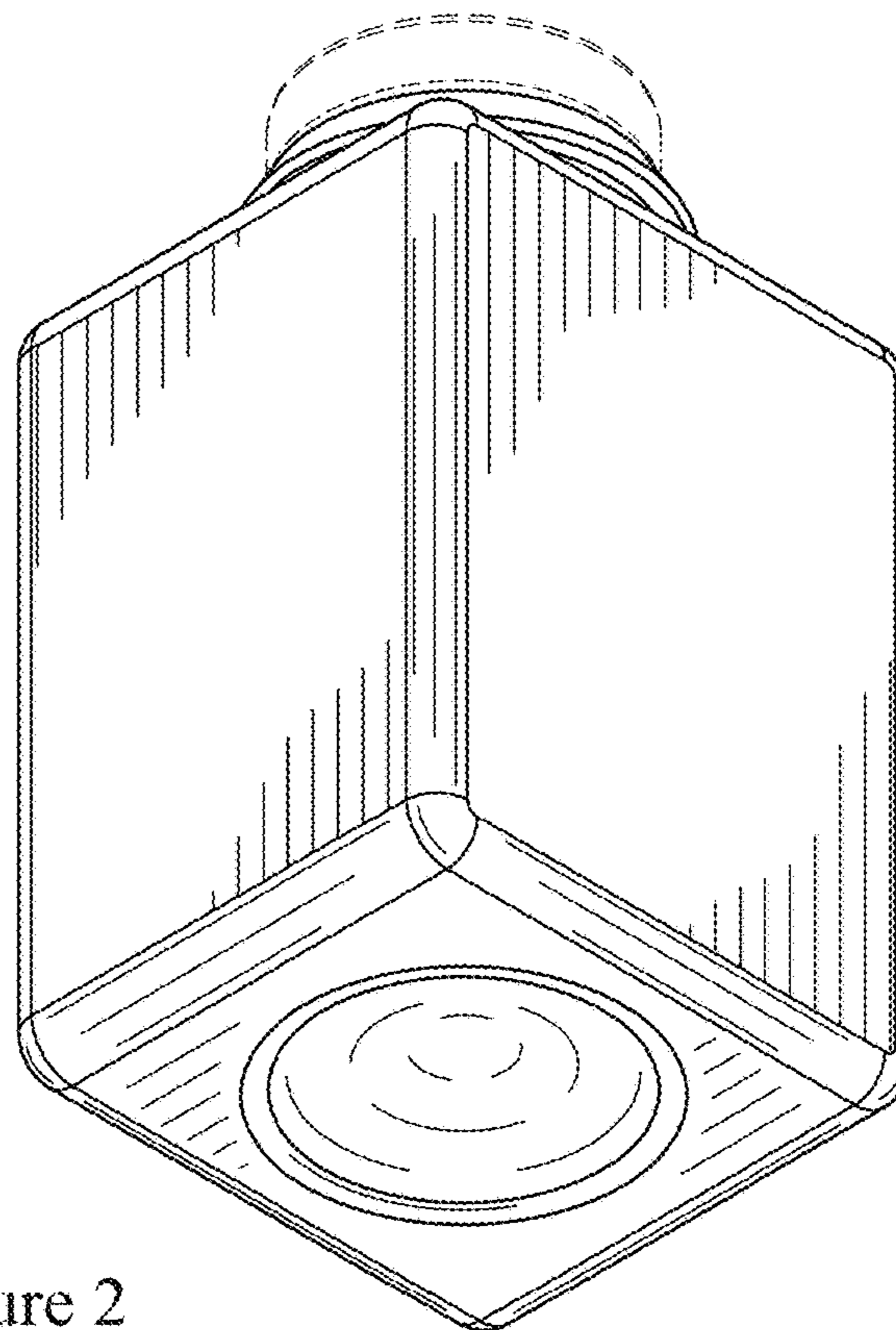


Figure 2

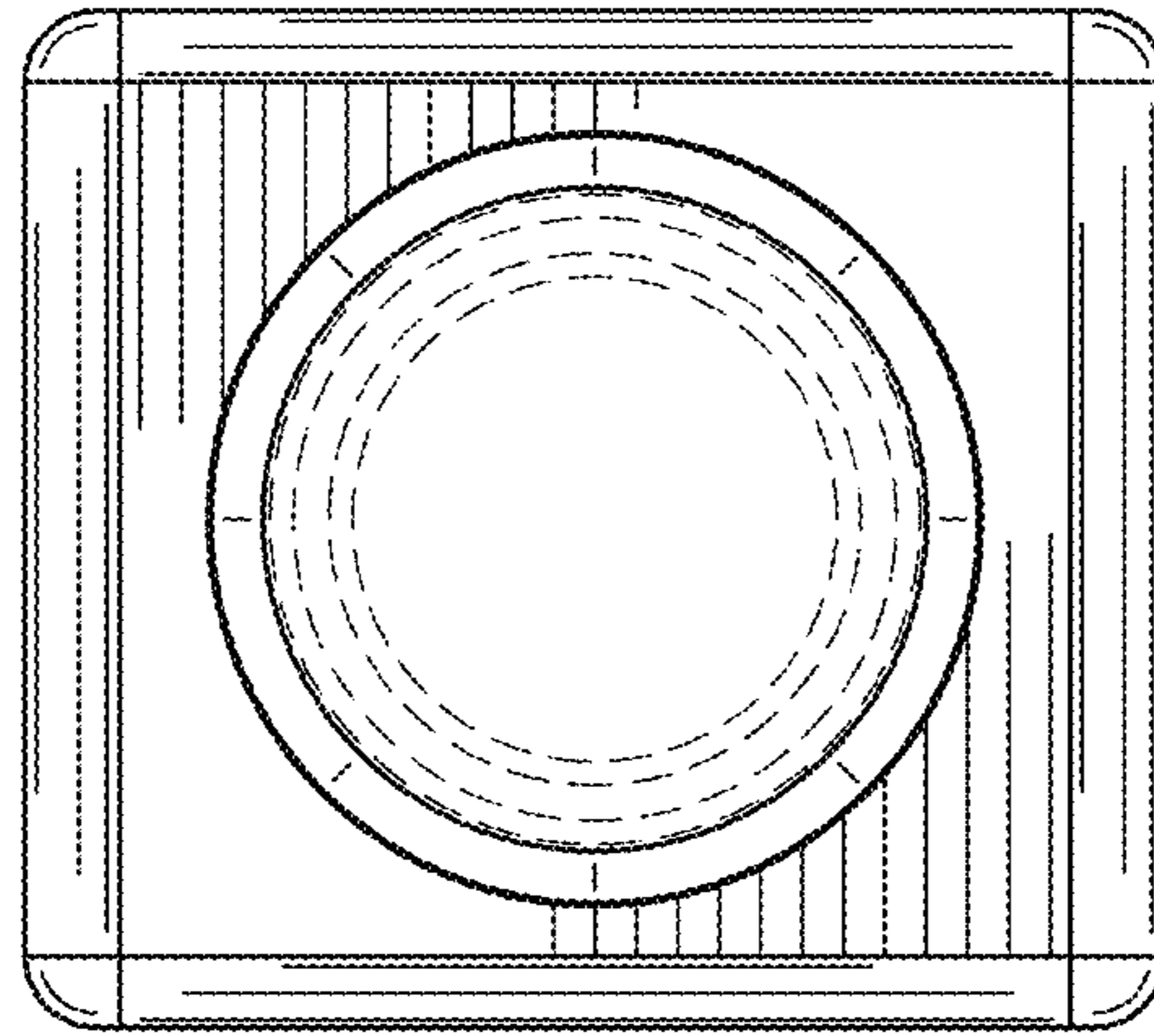


Figure 3

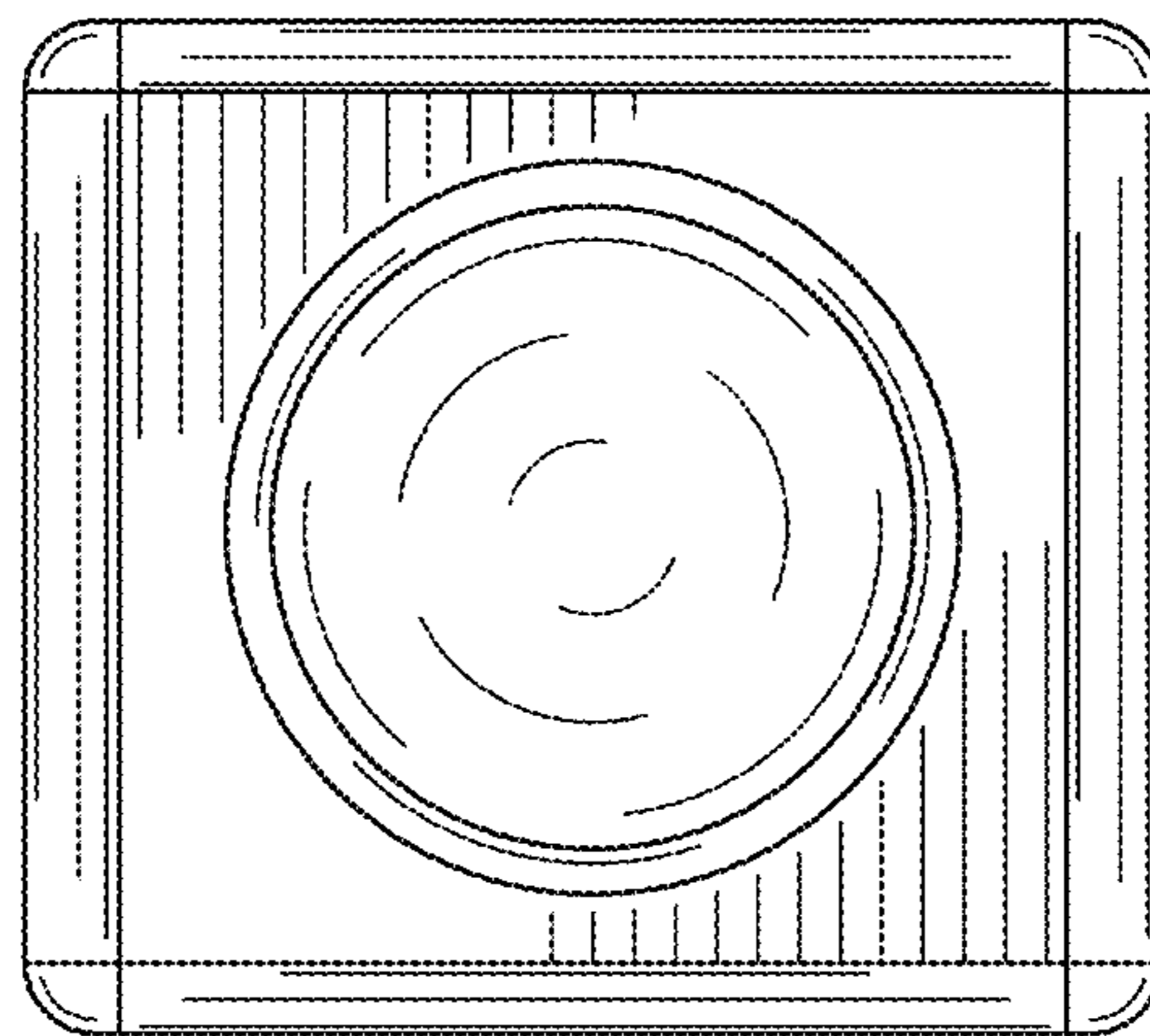


Figure 4

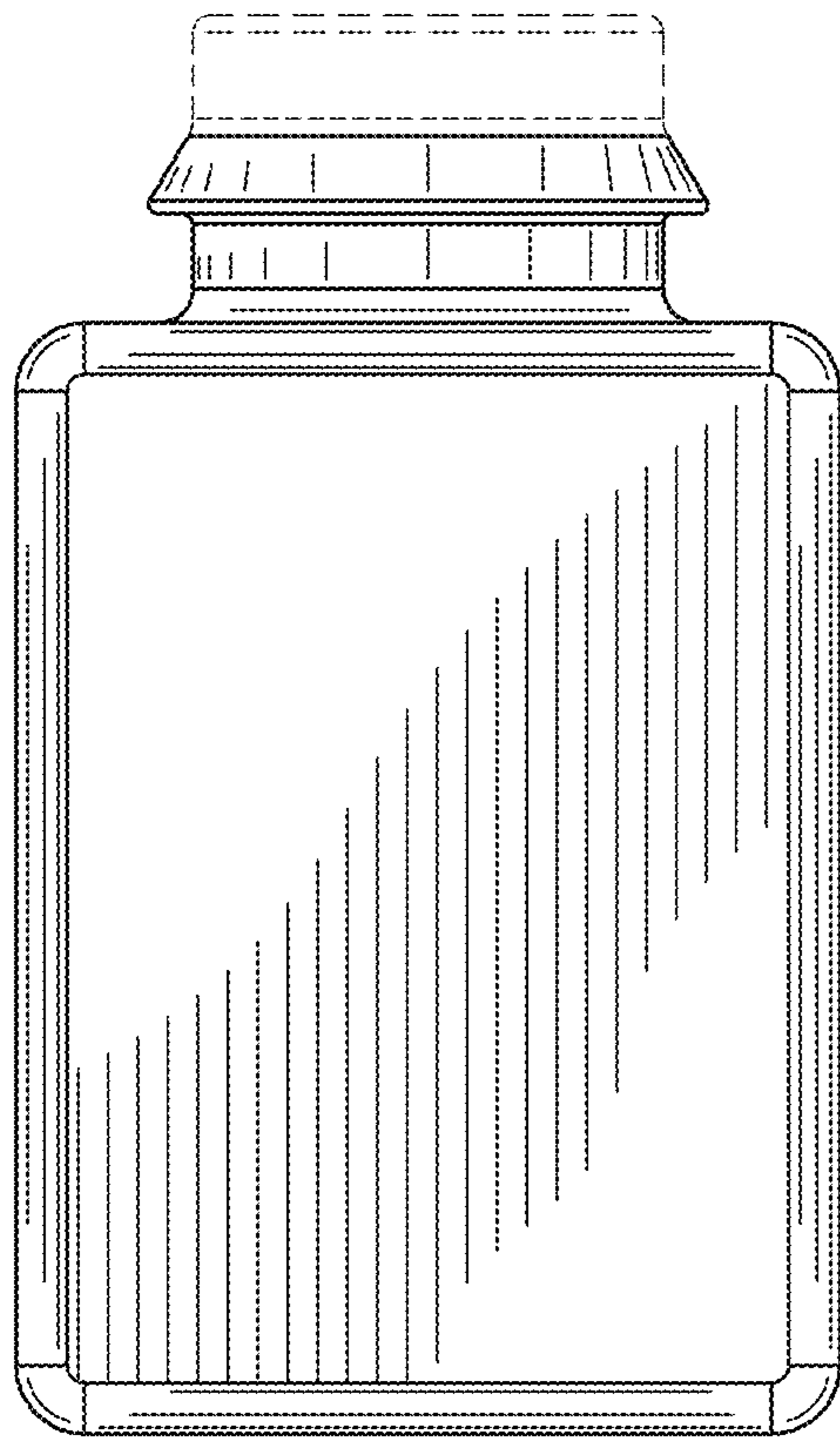


Figure 5

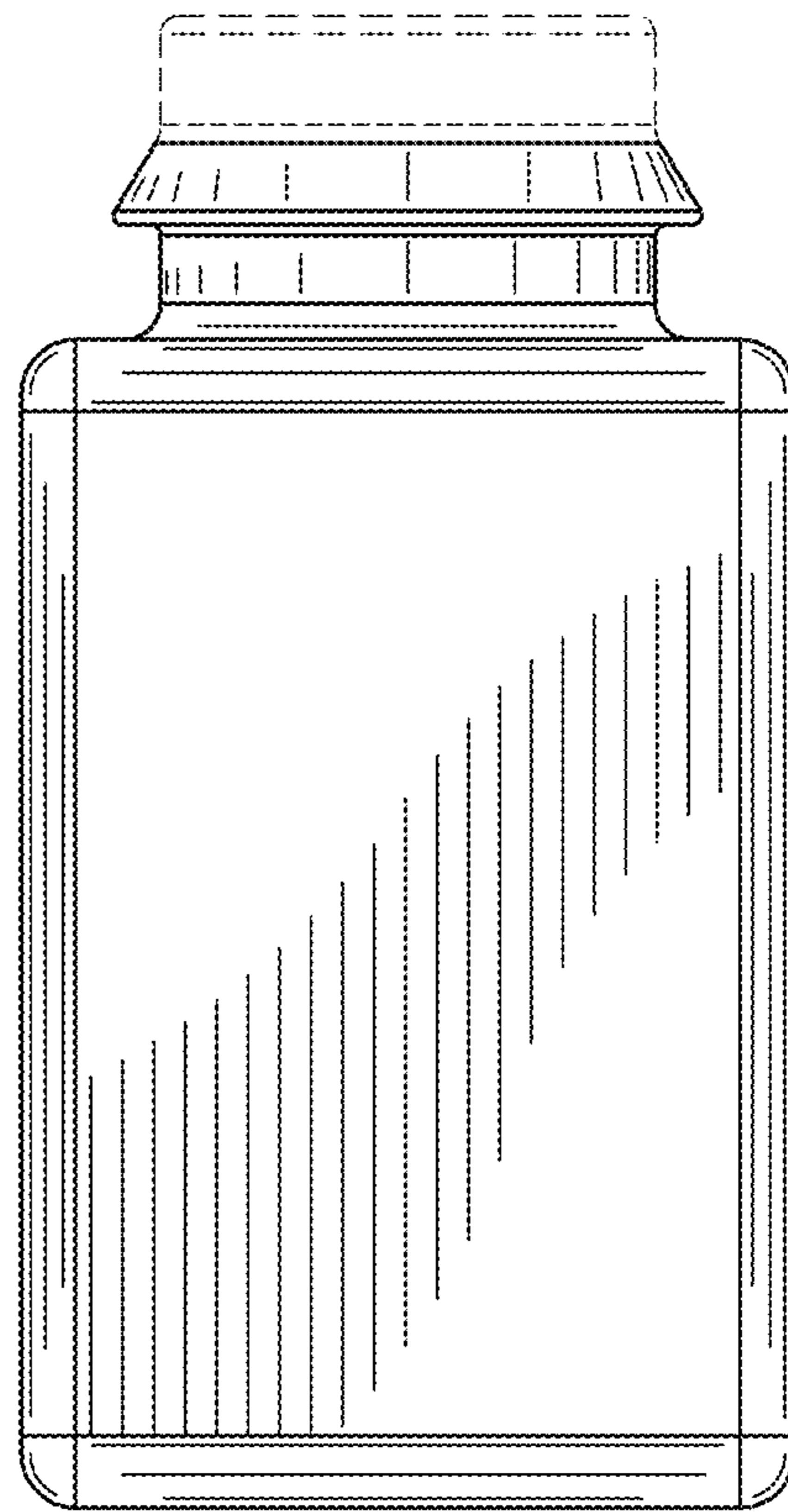


Figure 6