



US00D816504S

(12) **United States Design Patent**
Hudson et al.

(10) **Patent No.:** **US D816,504 S**

(45) **Date of Patent:** **** May 1, 2018**

(54) **STORAGE CONTAINER**

(71) Applicant: **THE SHERWIN-WILLIAMS COMPANY**, Cleveland, OH (US)

(72) Inventors: **Richard D. Hudson**, North Olmstead, OH (US); **James J. Johnson**, Akron, OH (US); **Gustavo A. Morales**, Brunswick, OH (US); **Edward R. Goodwin, Jr.**, Westlake, OH (US); **Michael C. Lambertson, Jr.**, Aurora, OH (US); **Charles T. Buckel, Jr.**, Valley City, OH (US)

(73) Assignee: **The Sherwin-Williams Company**, Cleveland, OH (US)

(**) Term: **15 Years**

(21) Appl. No.: **29/558,784**

(22) Filed: **Mar. 21, 2016**

(51) **LOC (11) Cl.** **09-01**

(52) **U.S. Cl.**

USPC **D9/528; D9/531; D9/575**

(58) **Field of Classification Search**

USPC D7/598, 600; D9/454, 516, 522-524, D9/526-528, 530-533, 537, 540, 544, D9/545, 549, 575, 715, 719, 741-745; D32/53, 53.1, 54; D23/211, 211.1, 212

CPC B44D 3/12; B65D 25/32; B65D 21/0231; B65D 23/102; B65D 47/06

See application file for complete search history.

(56) **References Cited**

U.S. PATENT DOCUMENTS

D248,370 S * 7/1978 Beekenkamp D7/321
D266,450 S * 10/1982 Swett D23/212
D268,810 S * 5/1983 Hartung D9/524
D269,303 S * 6/1983 Goetz D32/53
D321,317 S * 11/1991 Sherman D9/524

D340,189 S 10/1993 Fletcher
D355,365 S * 2/1995 Charbonneau D9/524
D367,201 S * 2/1996 Joergensen D7/305
D370,153 S * 5/1996 Chaney D7/503
5,549,216 A * 8/1996 Scholl B44D 3/12
220/695
5,564,525 A * 10/1996 Dunnegan F01M 11/0458
141/98
D378,494 S 3/1997 Miller
5,669,526 A * 9/1997 Keyfauber B44D 3/12
206/508
5,727,708 A * 3/1998 Erickson B44D 3/126
206/514
D398,663 S * 9/1998 Freeland D21/532
5,855,304 A 1/1999 Dean

(Continued)

Primary Examiner — Ian Simmons

Assistant Examiner — Keith Frank

(74) *Attorney, Agent, or Firm* — Tucker Ellis LLP; Carlos Garritano

(57) **CLAIM**

The ornamental design for a storage container, as shown and described.

DESCRIPTION

FIG. 1 is a perspective view of a storage container showing our new design;

FIG. 2 is a perspective view of the storage container illustrated in FIG. 1 without a pail-type handle;

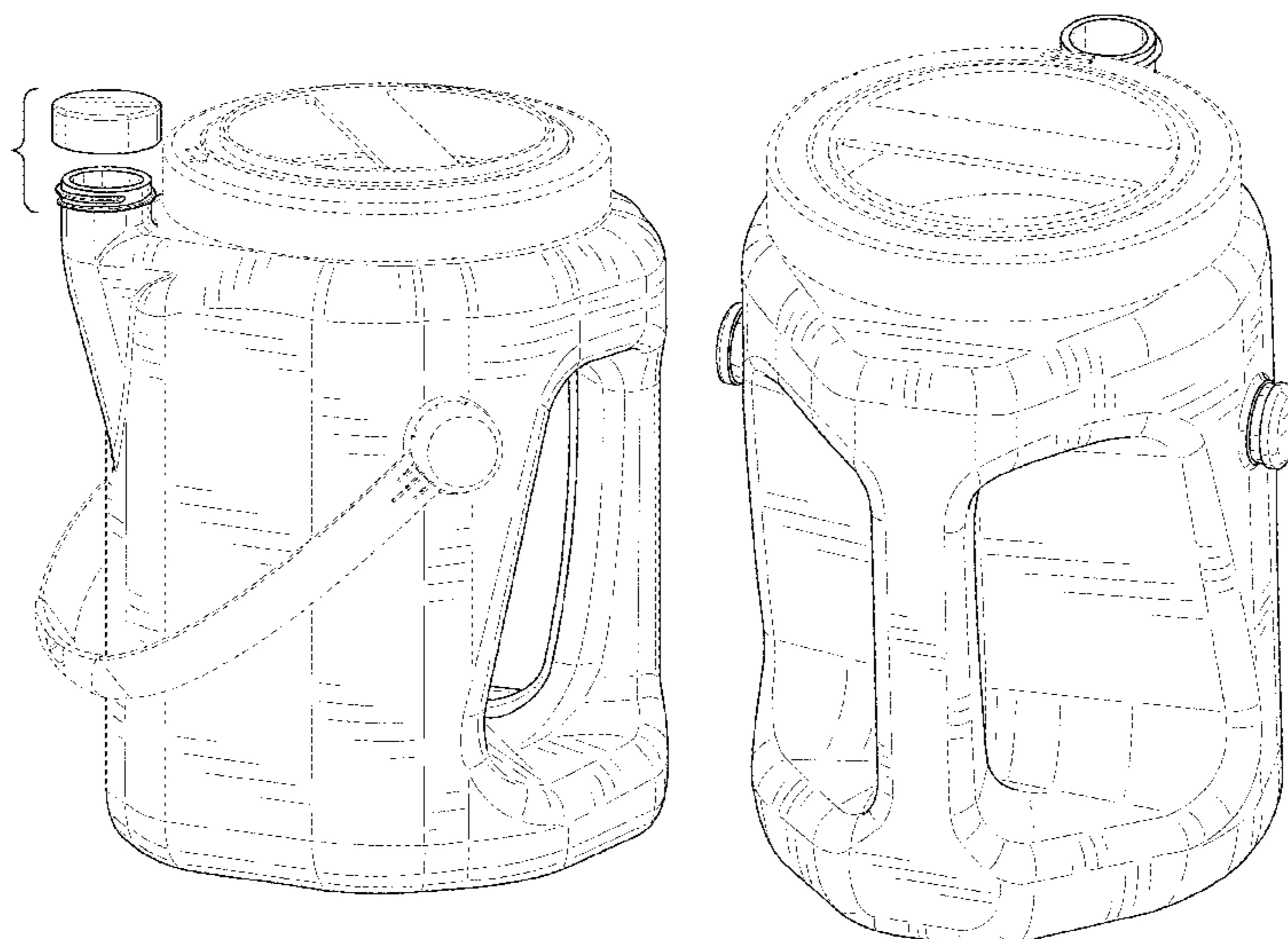
FIG. 3 is a rear perspective view of the storage container illustrated in FIG. 1 without a pail-type handle;

FIG. 4 is a left side view of the storage container illustrated in FIG. 1 without a pail-type handle, with the right side being a mirror-image thereof; and,

FIG. 5 is a perspective view of the storage container illustrated in FIG. 1.

The broken lines in the drawings showing the storage container illustrate the portions of the storage container that form no part of the claimed designed.

1 Claim, 5 Drawing Sheets



(56)

References Cited

U.S. PATENT DOCUMENTS

D431,472	S	10/2000	Cain	
D458,514	S *	6/2002	Dorion	D7/600
D460,845	S	7/2002	Bergman	
6,708,838	B2	3/2004	Bergman	
D505,076	S	5/2005	Logan	
D550,090	S *	9/2007	Meeker	D9/528
D563,229	S *	3/2008	Dowel	D9/524
D610,856	S *	3/2010	Hoffman	D7/306
7,703,641	B2 *	4/2010	Bravo	B44D 3/127 215/305
D623,954	S	9/2010	Hawry	
D643,694	S *	8/2011	Lu	D7/629
D652,305	S *	1/2012	Yourist	D9/524
D653,548	S	2/2012	Wycoff	
D691,052	S	10/2013	Minghetti	
D728,298	S *	5/2015	Ma	D7/317
D749,948	S *	2/2016	Groglopo Favetto	D9/443
D751,913	S	3/2016	Seecof	
9,290,310	B2	3/2016	Sinn	
2007/0187413	A1	8/2007	Gruskin	

* cited by examiner

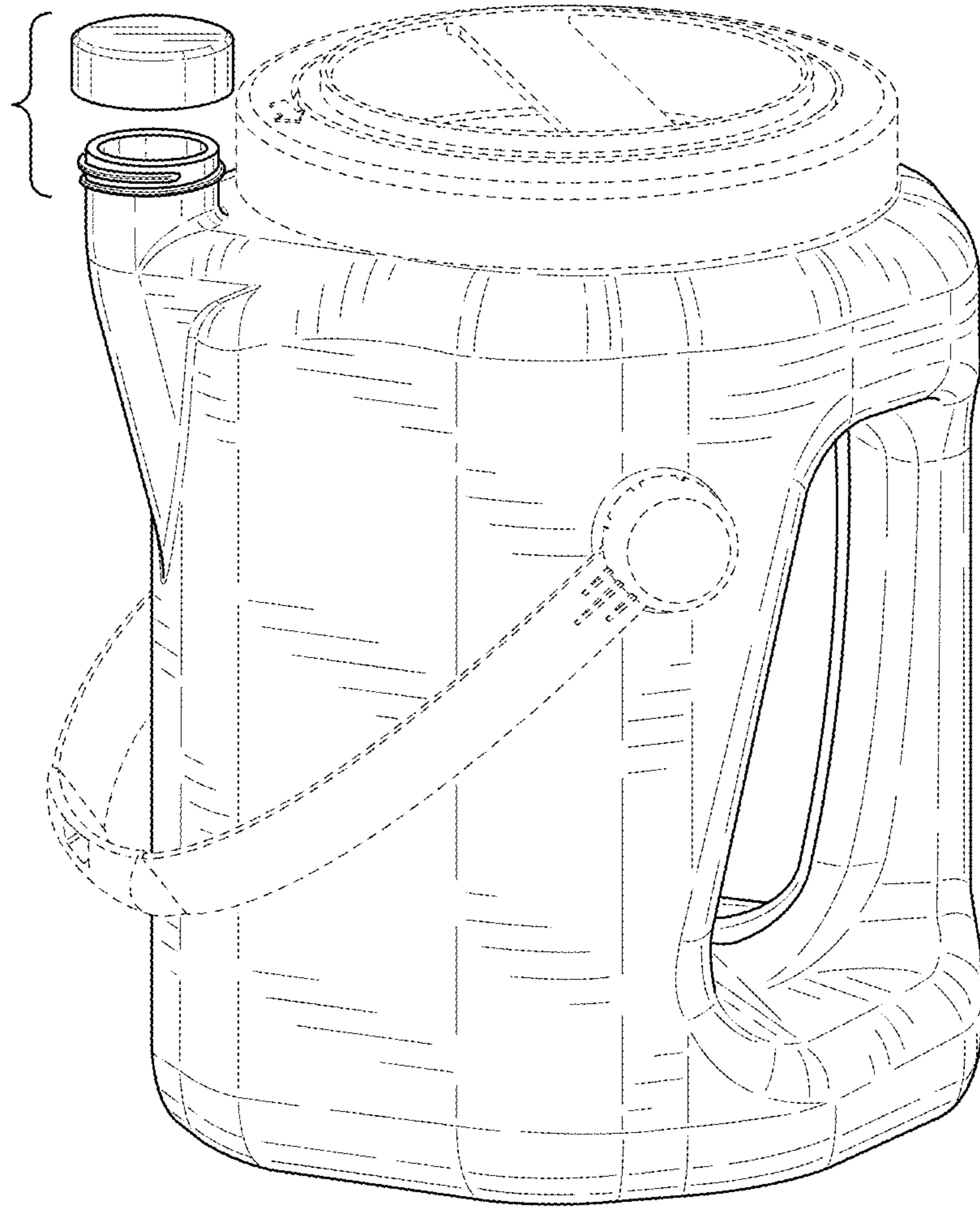


FIG. 1

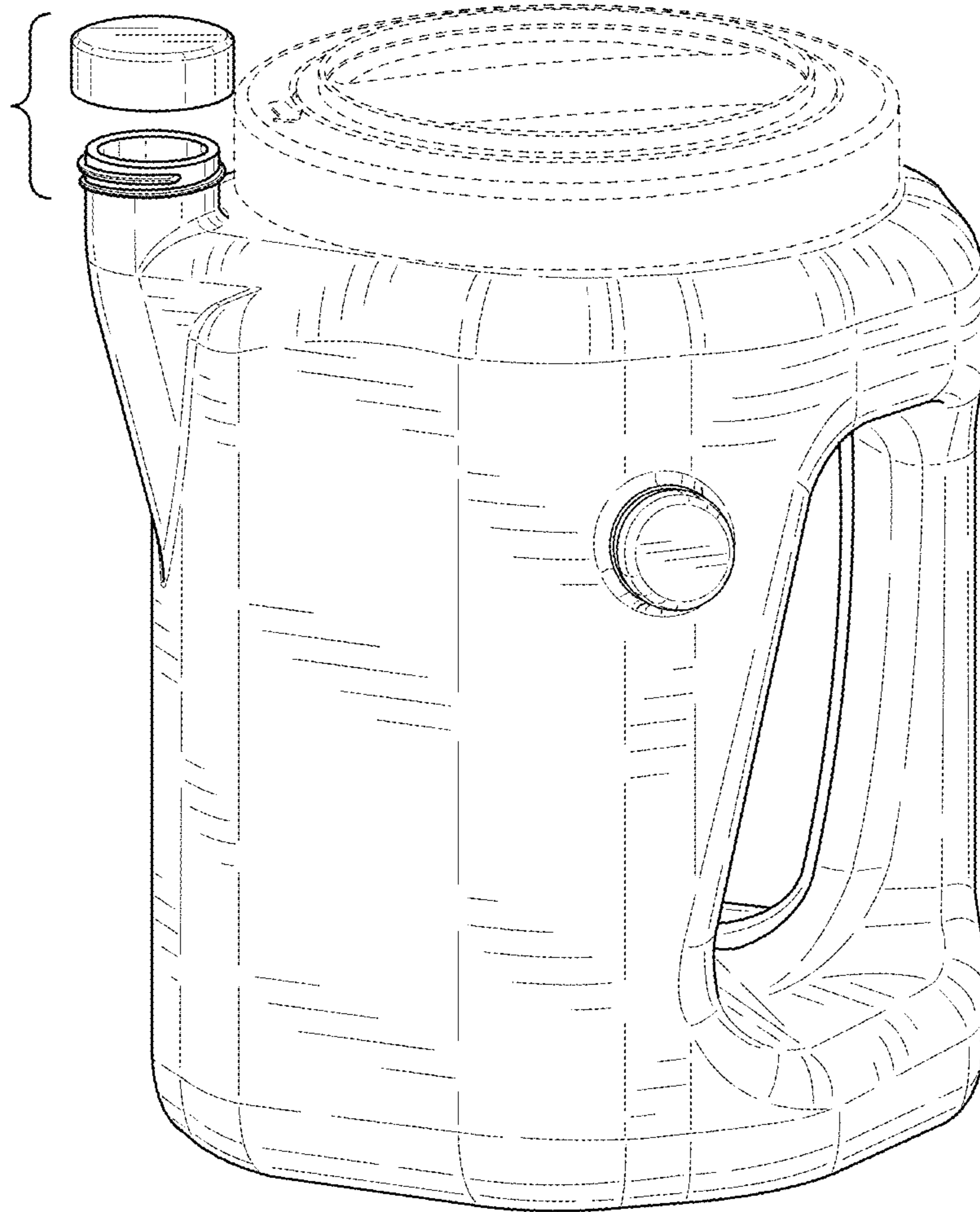


FIG. 2



FIG. 3

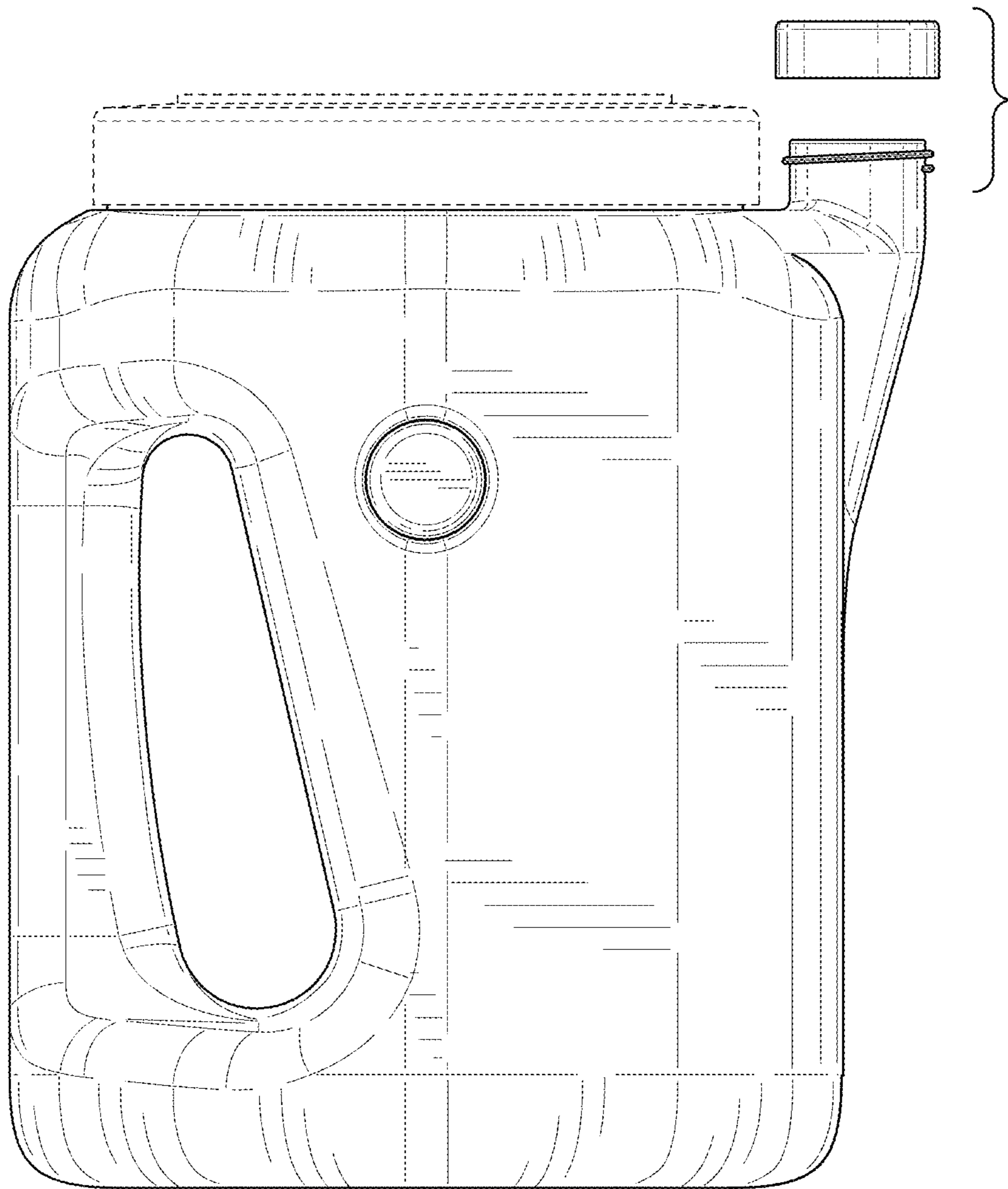


FIG. 4

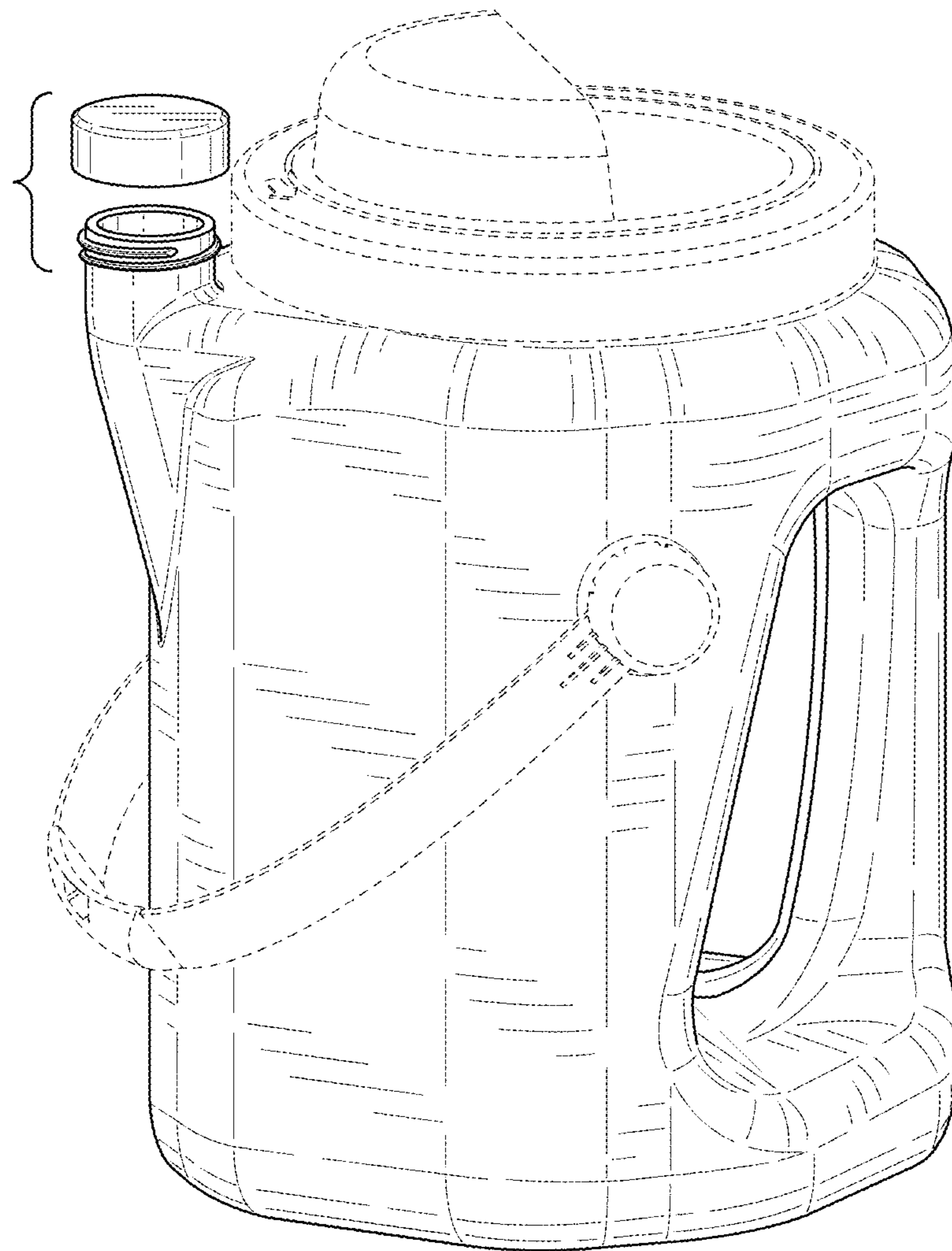


FIG. 5