



US00D816501S

(12) **United States Design Patent**
Oldham et al.

(10) **Patent No.:** **US D816,501 S**

(45) **Date of Patent:** **** May 1, 2018**

(54) **MEDICAL DEVICE PACKAGING TRAY**

(71) Applicant: **Baylis Medical Company Inc.**,
Montreal (CA)

(72) Inventors: **Lorraine Oldham**, Etobicoke (CA);
Joseph Thomas Pregont, Janesville,
WI (US); **Patrick Charles Fanning**,
Janesville, WI (US)

(73) Assignee: **Baylis Medical Company Inc.**,
Montreal (CA)

(**) Term: **15 Years**

(21) Appl. No.: **29/536,563**

(22) Filed: **Aug. 18, 2015**

(51) **LOC (11) Cl.** **09-03**

(52) **U.S. Cl.**
USPC **D9/456; D24/227**

(58) **Field of Classification Search**
USPC **D3/20, 200, 201, 271.1, 272, 273, 302,**
D3/304, 306, 309-315, 319, 901;
(Continued)

(56) **References Cited**

U.S. PATENT DOCUMENTS

D326,962 S * 6/1992 Mowry D30/130
5,165,540 A 11/1992 Forney
(Continued)

Primary Examiner — Thomas Johannes

Assistant Examiner — Catherine S Posthauer

(74) *Attorney, Agent, or Firm* — Nir Lifshitz; Glenn
Arnold

(57) **CLAIM**

The ornamental design for a medical device packaging tray,
as shown and described.

DESCRIPTION

FIG. 1A is a partial right, front and top perspective view of
a first embodiment of the medical device packaging tray,
including a tray with two lids, showing our new design;

FIG. 1B is the completion of the partial view shown in FIG.
1A when FIG. 1B is placed to the right of and below FIG.
1A;

FIG. 2A is a partial right, front and bottom perspective view
of the first embodiment of the medical device packaging
tray;

FIG. 2B is the completion of the partial view shown in FIG.
2A when FIG. 2B is placed to the right of and above FIG.
2A;

FIG. 3 is a front view of the first embodiment of the medical
device packaging tray broken into two pieces connected by
a projection line to show how they fit together;

FIG. 4 is a right side view of the first embodiment of the
medical device packaging tray;

FIG. 5 is a back view of the first embodiment of the medical
device packaging tray broken into two pieces connected by
a projection line to show how they fit together;

FIG. 6 is a left side view of the first embodiment of the
medical device packaging tray;

FIG. 7 is a top view of the first embodiment of the medical
device packaging tray broken into two pieces connected by
a projection line to show how they fit together;

FIG. 8 is a bottom view of the first embodiment of the
medical device packaging tray broken into two pieces con-
nected by a projection line to show how they fit together;

FIG. 9A is a partial exploded perspective view of the first
embodiment of the medical device packaging tray;

FIG. 9B is the completion of the partial view shown in FIG.
9A when FIG. 9B is placed to the right of and below FIG.
9A;

FIG. 10A is a partial right, front and top perspective view of
the first embodiment of the medical device packaging tray
with the two lids removed for ease of illustration;

FIG. 10B is the completion of the partial view shown in FIG.
10A when FIG. 10B is placed to the right of and below FIG.
10A;

FIG. 11 is a top view of the first embodiment of the medical
device packaging tray with the two lids removed for the ease
of illustration broken into two pieces connected by a pro-
jection line to show how they fit together;

FIG. 12A is a partial right, front and top perspective view of
a second embodiment of the medical device packaging tray,
including a tray with two lids;

(Continued)

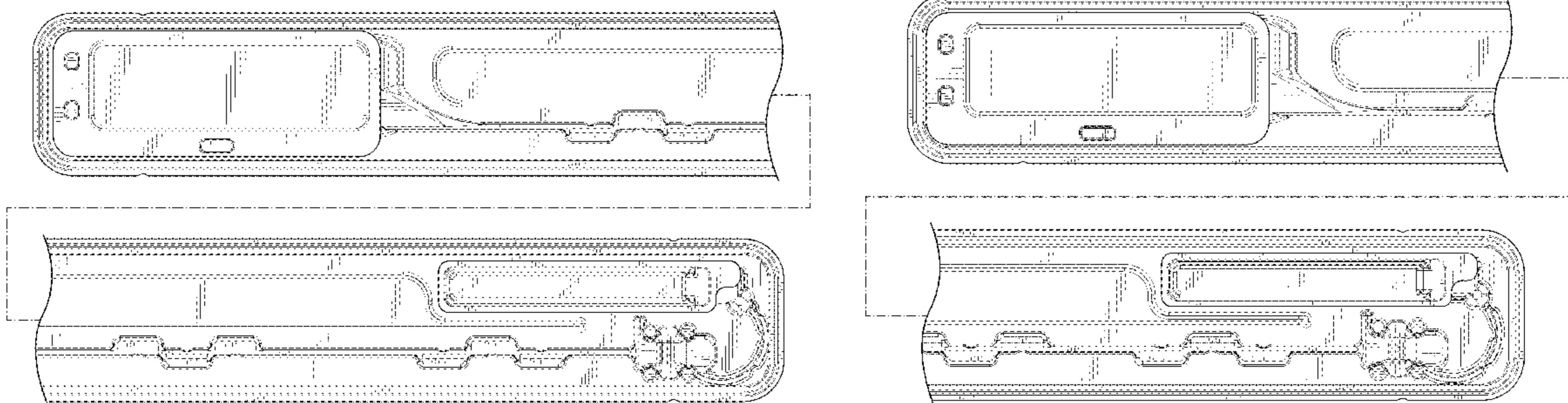


FIG. 12B is the completion of the partial view shown in FIG. 12A when FIG. 12B is placed to the right of and above FIG. 12A;

FIG. 13A is a partial right, front and bottom perspective view of the second embodiment of the medical device packaging tray;

FIG. 13B is the completion of the partial view shown in FIG. 13A when FIG. 13B is placed to the right of and below FIG. 13A;

FIG. 14 is a front view of the second embodiment of the medical device packaging tray broken into two pieces connected by a projection line to show how they fit together;

FIG. 15 is a right side view of the second embodiment of the medical device packaging tray;

FIG. 16 is a back view of the second embodiment of the medical device packaging tray broken into two pieces connected by a projection line to show how they fit together;

FIG. 17 is a left side view of the second embodiment of the medical device packaging tray;

FIG. 18 is a top view of the second embodiment of the medical device packaging tray broken into two pieces connected by a projection line to show how they fit together;

FIG. 19 is a bottom view of the second embodiment of the medical device packaging tray broken into two pieces connected by a projection line to show how they fit together;

FIG. 20A is a partial exploded perspective view of the second embodiment of the medical device packaging tray;

FIG. 20B is the completion of the partial view shown in FIG. 20A when FIG. 20B is placed to the right of and below FIG. 20A;

FIG. 21A is a partial right, front and top perspective view of the second embodiment of the medical device packaging tray with the two lids removed for ease of illustration;

FIG. 21B is the completion of the partial view shown in FIG. 21A when FIG. 21B is placed to the right of and below FIG. 21A; and,

FIG. 22 is a top view of the second embodiment of the medical device packaging tray with the two lids removed for ease of illustration broken into two pieces connected by a projection line to show how they fit together.

The dash dot lines shown in the figures are included to show how partial views fit together and form no part of the claimed design.

1 Claim, 24 Drawing Sheets

(58) **Field of Classification Search**

USPC D6/512, 515–525, 553, 567, 570, 571, D6/672; D7/311, 323, 326, 329–331, D7/337, 339, 346, 347, 350.1–350.4, D7/352–367, 387, 388, 391, 392.1, 393, D7/395, 401.1, 402, 407–410, 415, 500, D7/505, 538–545, 552.1, 552.2, 553.2, D7/554.3, 555–566, 584–587, 601.1,

D7/602–609, 637, 672–674, 698, 701, D7/704; D9/414, 418, 420–424, 427, D9/430–435, 455, 456, 517, 737, 738, D9/739, 740, 741, 744, 745; D19/1, 27, D19/102, 103; D24/127, 128, 216, 224, D24/227–229, 230, 232; D28/61, 73, 76; D32/55, 58; D14/219, 260.1; D12/406, D12/411, 419, 425, 426; D25/1, 2, 3, 16, D25/56, 61, 100, 101

CPC B65D 1/243; B65D 2501/24019; B65D 2501/24165; B65D 2501/24152; B65D 11/18; B65D 85/32; B65D 85/30; B65B 1/04; A47J 27/00; A47J 27/002; A47J 27/004; A47J 27/08; A47J 27/21; A47J 27/58; A47J 35/025; A47J 45/061; A47J 45/065; A47J 45/071; A47J 45/08; A47J 29/00; A47J 29/02; A47J 29/04; A47J 29/06; A45J 37/00; A45J 37/10; A45J 37/101; A45J 37/103; A45J 37/1204; A45J 37/0704; H05B 6/06; H05B 6/12; A01K 41/02; A01K 41/026; A01K 41/04; A47F 5/0807; A23B 5/00; A23B 5/005; A23B 5/0052; F26B 25/18; A47B 73/00

See application file for complete search history.

(56)

References Cited

U.S. PATENT DOCUMENTS

5,284,244	A	2/1994	O'Toole et al.	
D353,095	S *	12/1994	Kendra	D9/456
5,386,908	A	2/1995	Sinn	
D391,078	S *	2/1998	Jacober	D3/304
D392,463	S *	3/1998	Grey	D3/319
D400,441	S *	11/1998	Warren	D9/456
5,848,691	A	12/1998	Morris et al.	
D403,566	S *	1/1999	Marsh	D3/313
D419,062	S *	1/2000	Feldmeier	D9/759
D515,423	S *	2/2006	Chu	D9/456
D558,453	S *	1/2008	Richter	D3/304
D597,406	S *	8/2009	Jaworski	D9/435
D627,645	S *	11/2010	Ma	D9/456
D627,646	S *	11/2010	Li	D9/456
D627,647	S *	11/2010	Li	D9/456
D627,648	S *	11/2010	He	D9/456
D627,649	S *	11/2010	He	D9/456
D649,807	S *	12/2011	Stoepker	D6/675
D658,417	S *	5/2012	Kusmer	D6/567
D661,189	S *	6/2012	Fahy	D9/456
D661,190	S *	6/2012	Fahy	D9/456
D661,487	S *	6/2012	Kraemer	D3/304
D661,488	S *	6/2012	Kraemer	D3/304
D665,172	S *	8/2012	Fulghum	D3/315
8,240,468	B2	8/2012	Wilkinson et al.	
8,584,849	B2	11/2013	McCaffrey	
D728,818	S *	5/2015	Burroughs	D24/230
D751,726	S *	3/2016	Nishioka	D24/229
D774,765	S *	12/2016	Hsieh	D3/313
2007/0131698	A1 *	6/2007	Antal, Sr.	A47J 37/01 220/681

* cited by examiner

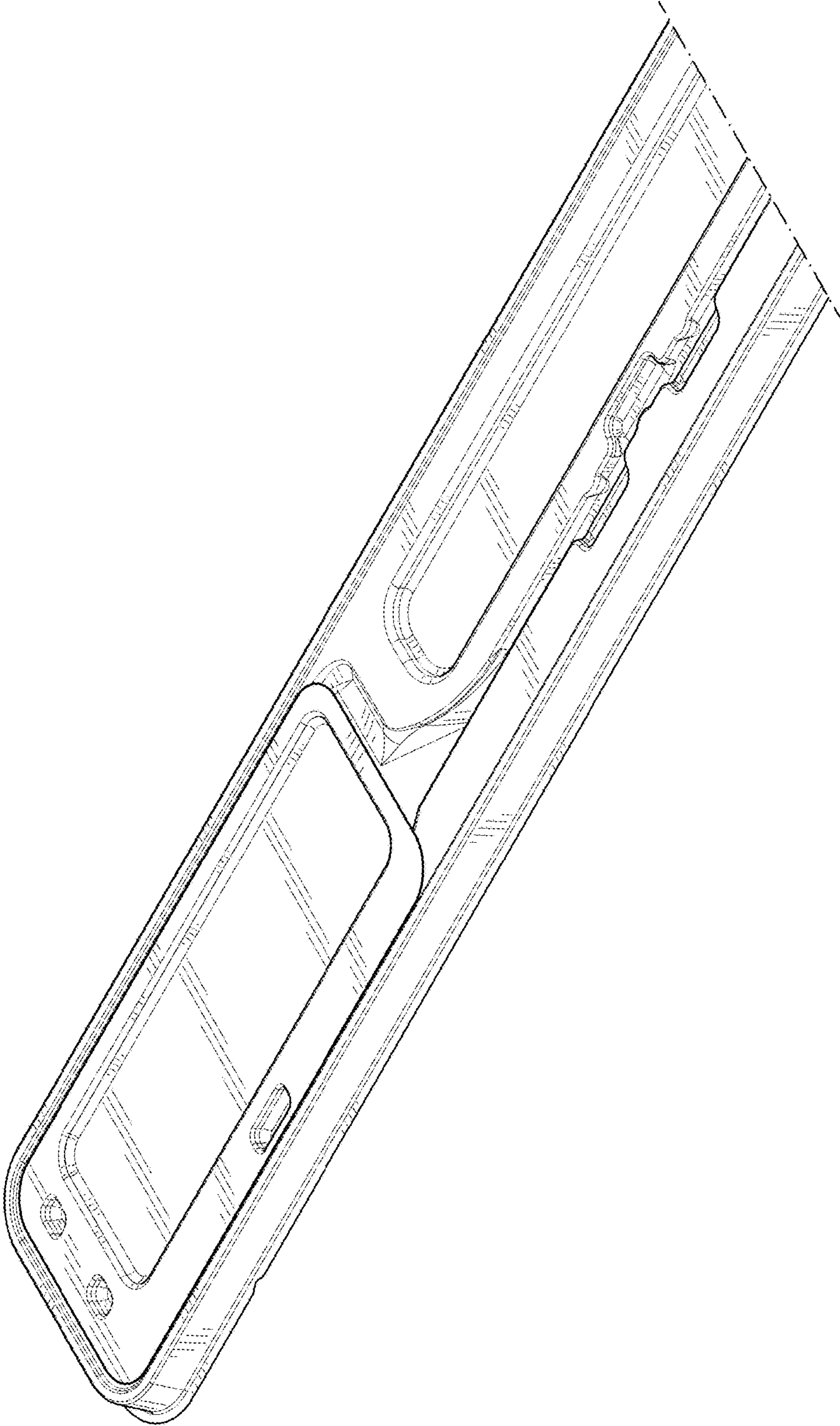


FIG. 1A

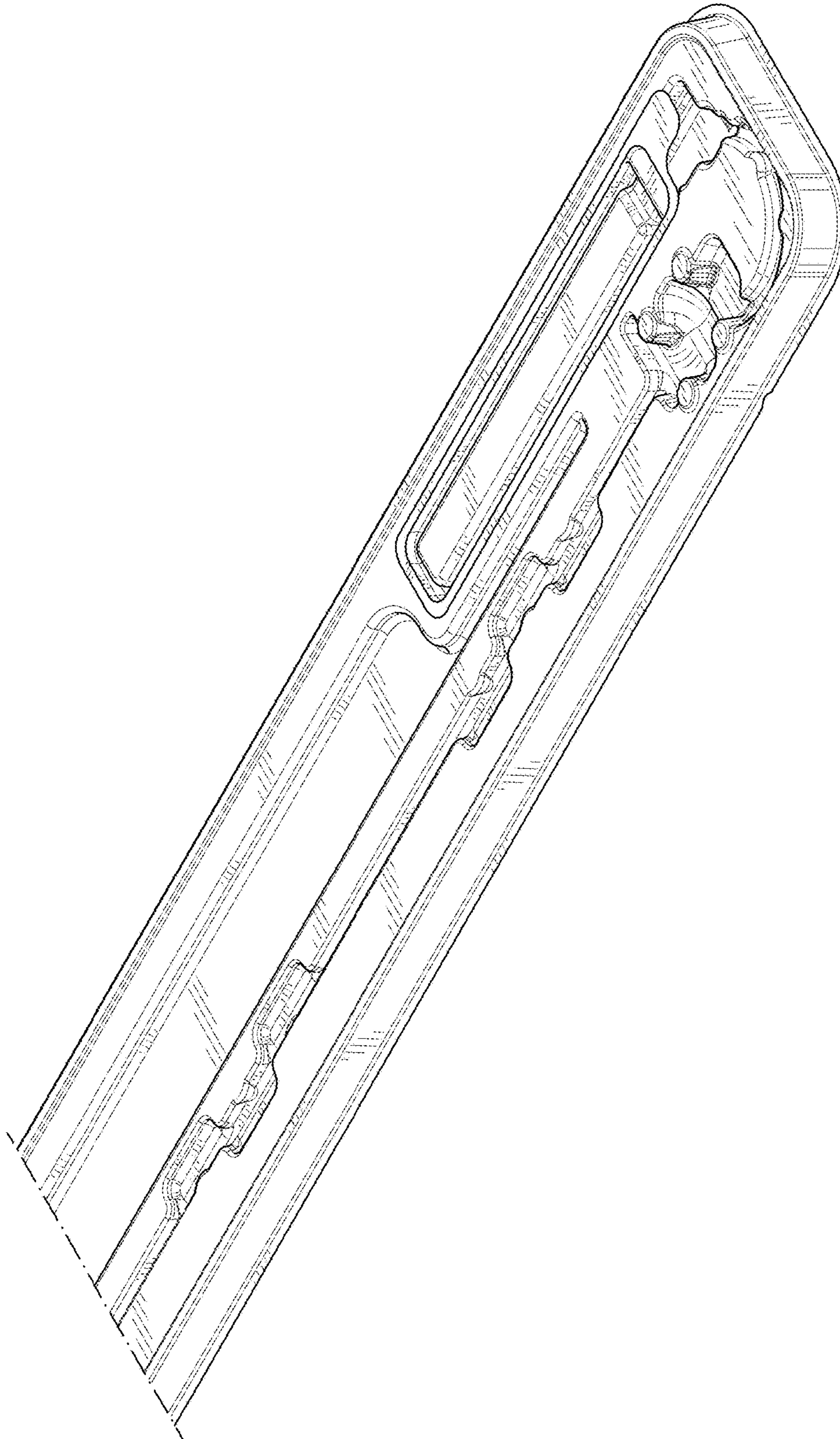


FIG. 1B

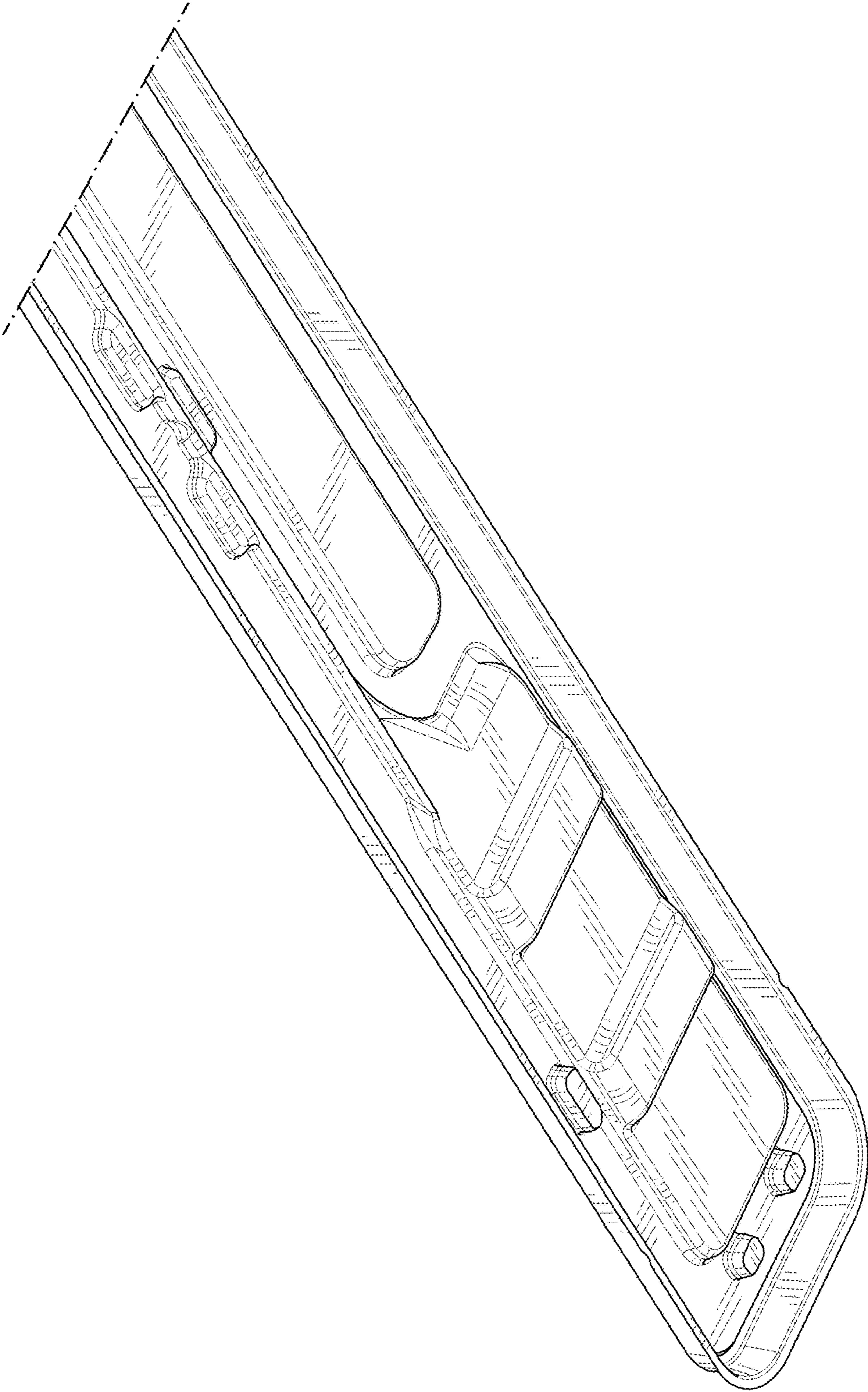


FIG. 2A

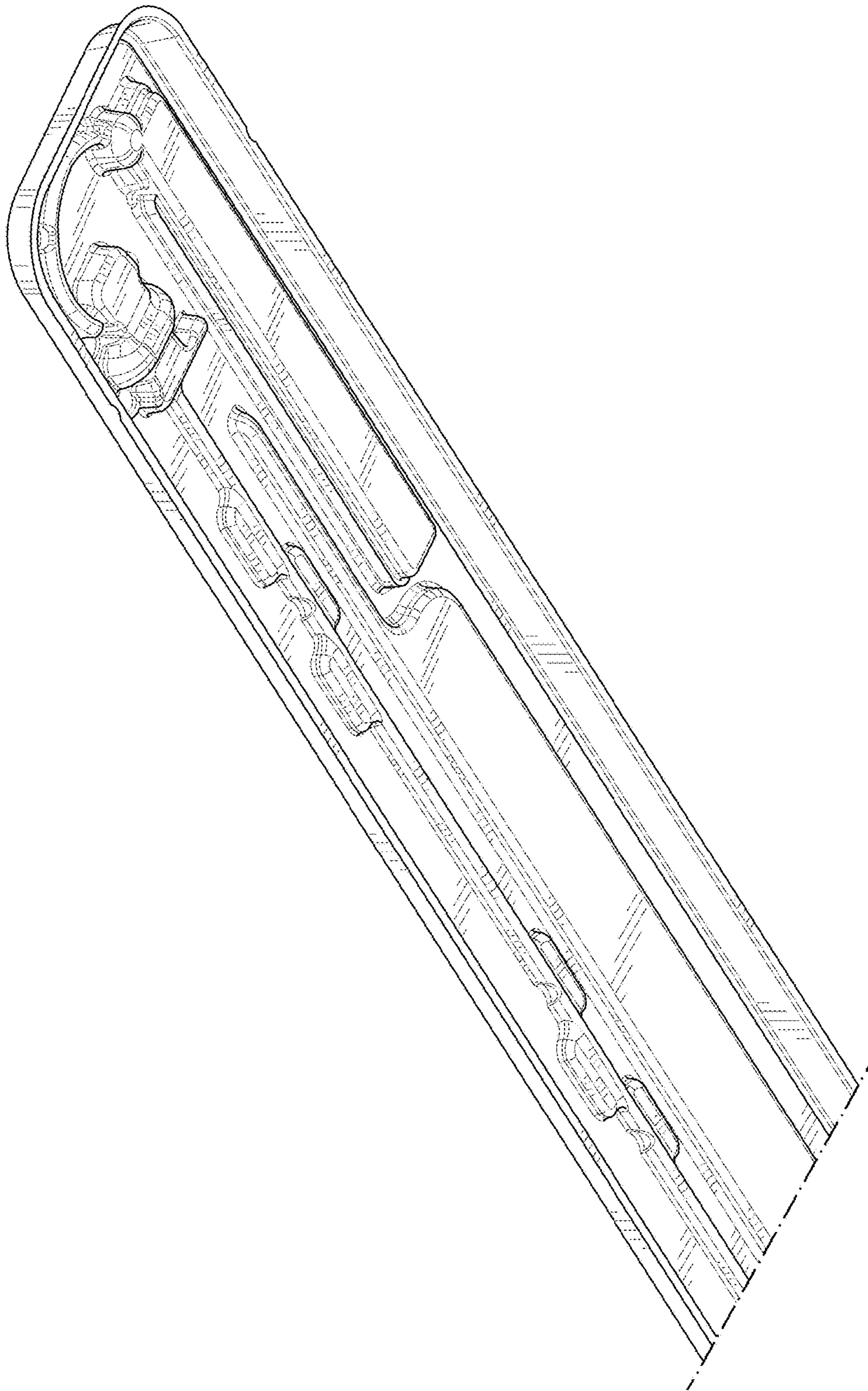


FIG. 2B

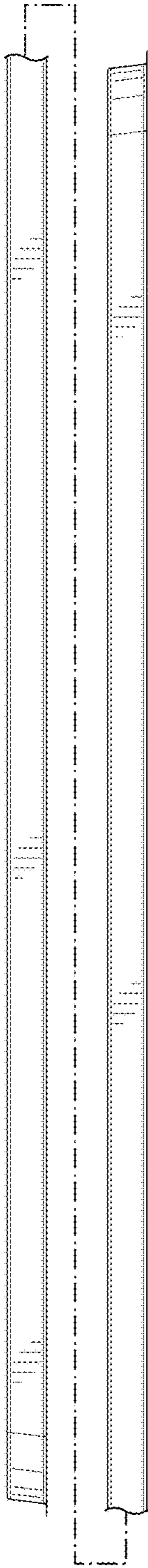


FIG. 3

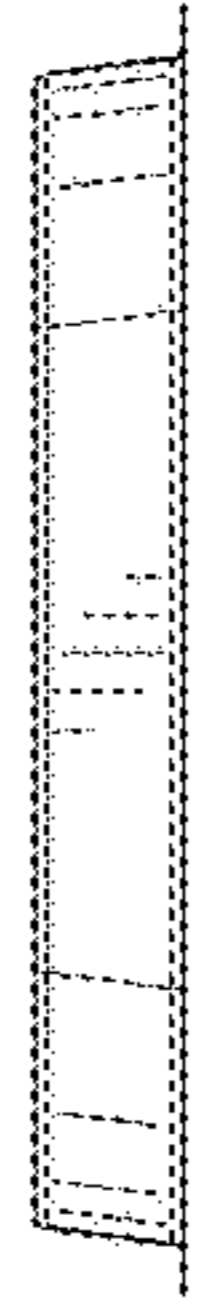


FIG. 4

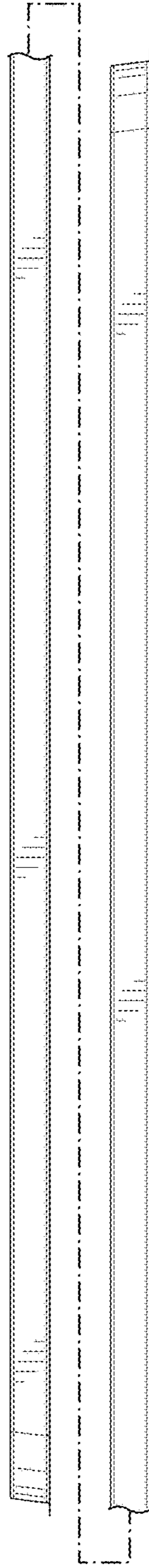


FIG. 5



FIG. 6

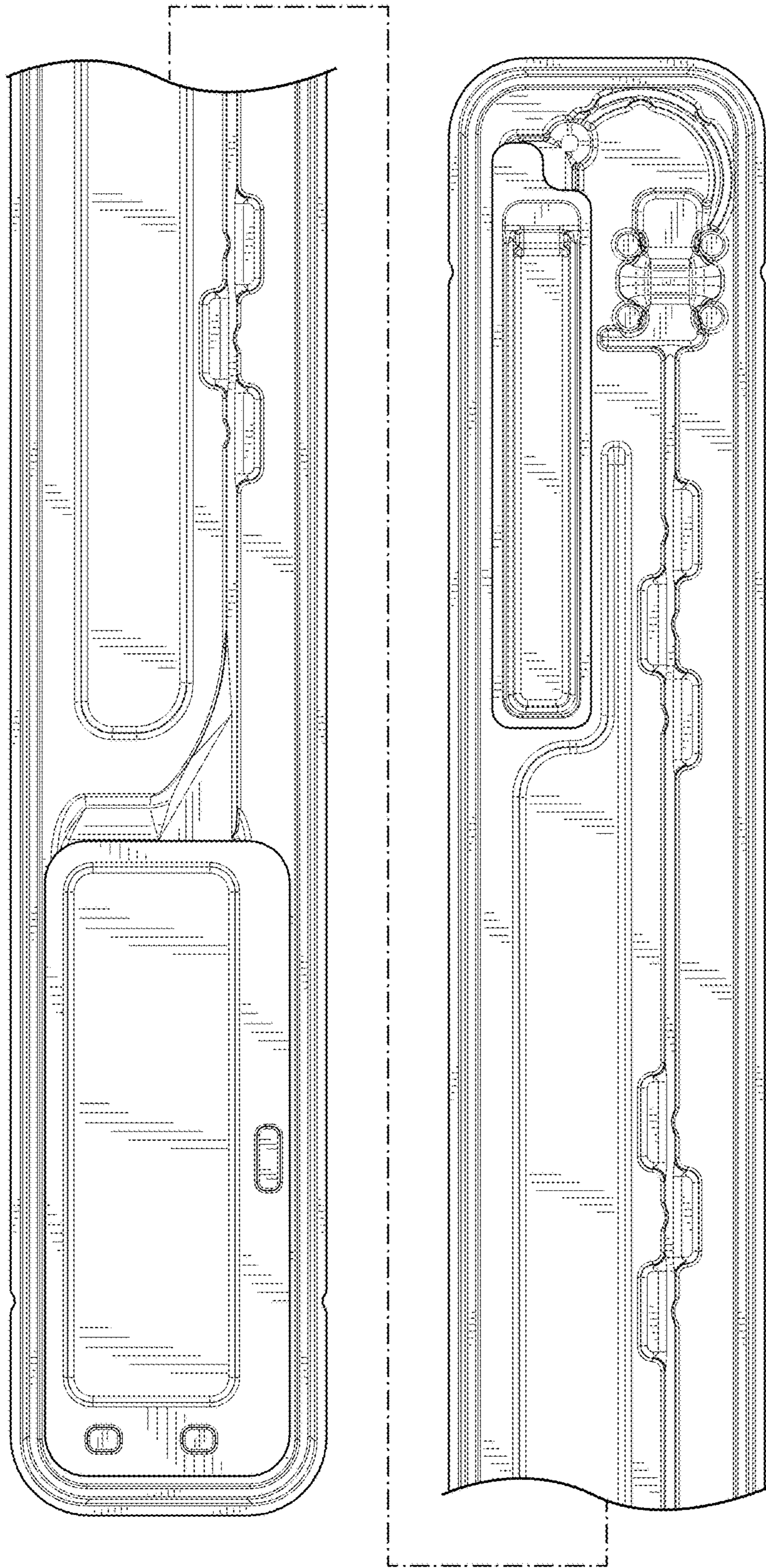


FIG. 7

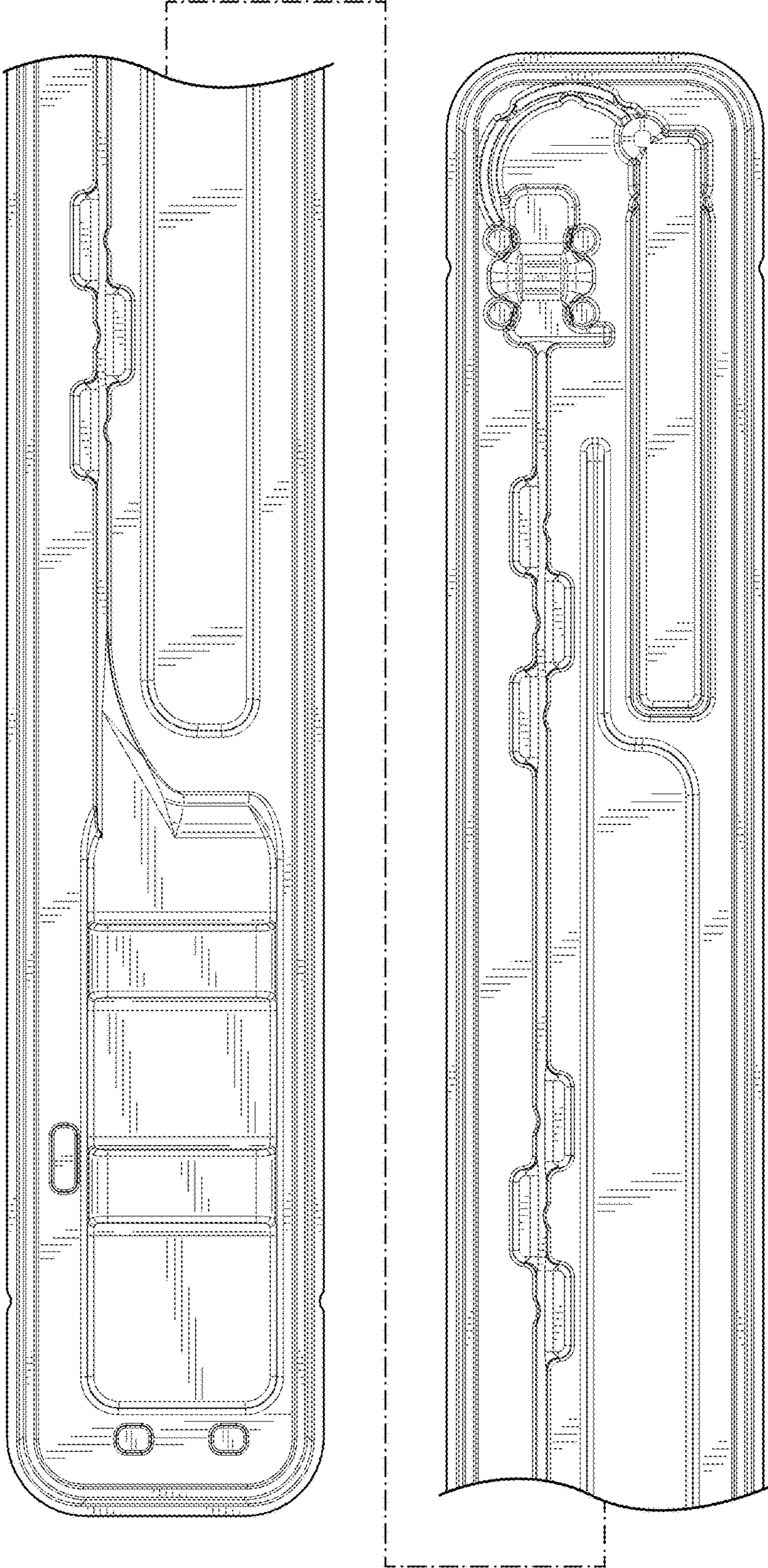


FIG. 8

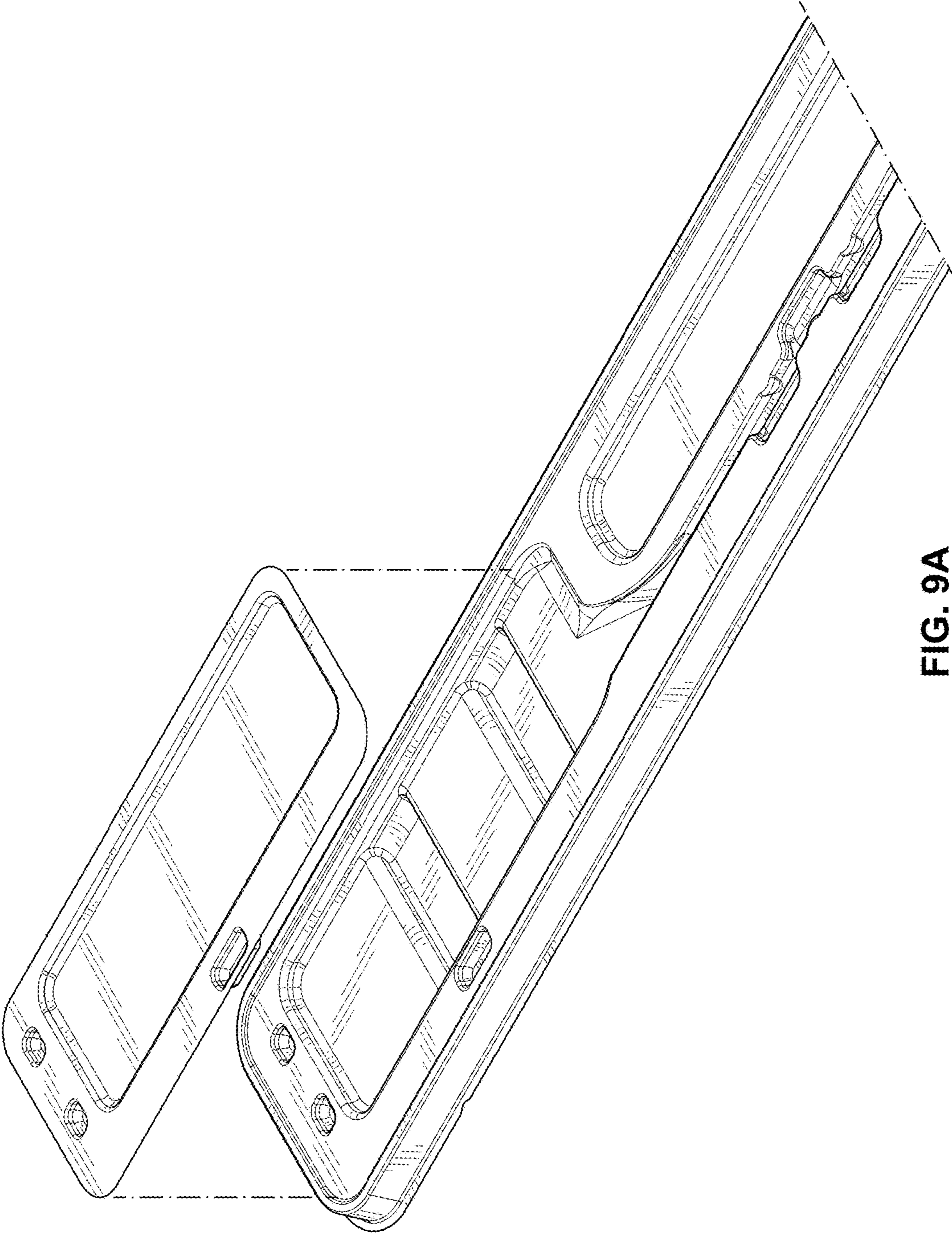


FIG. 9A

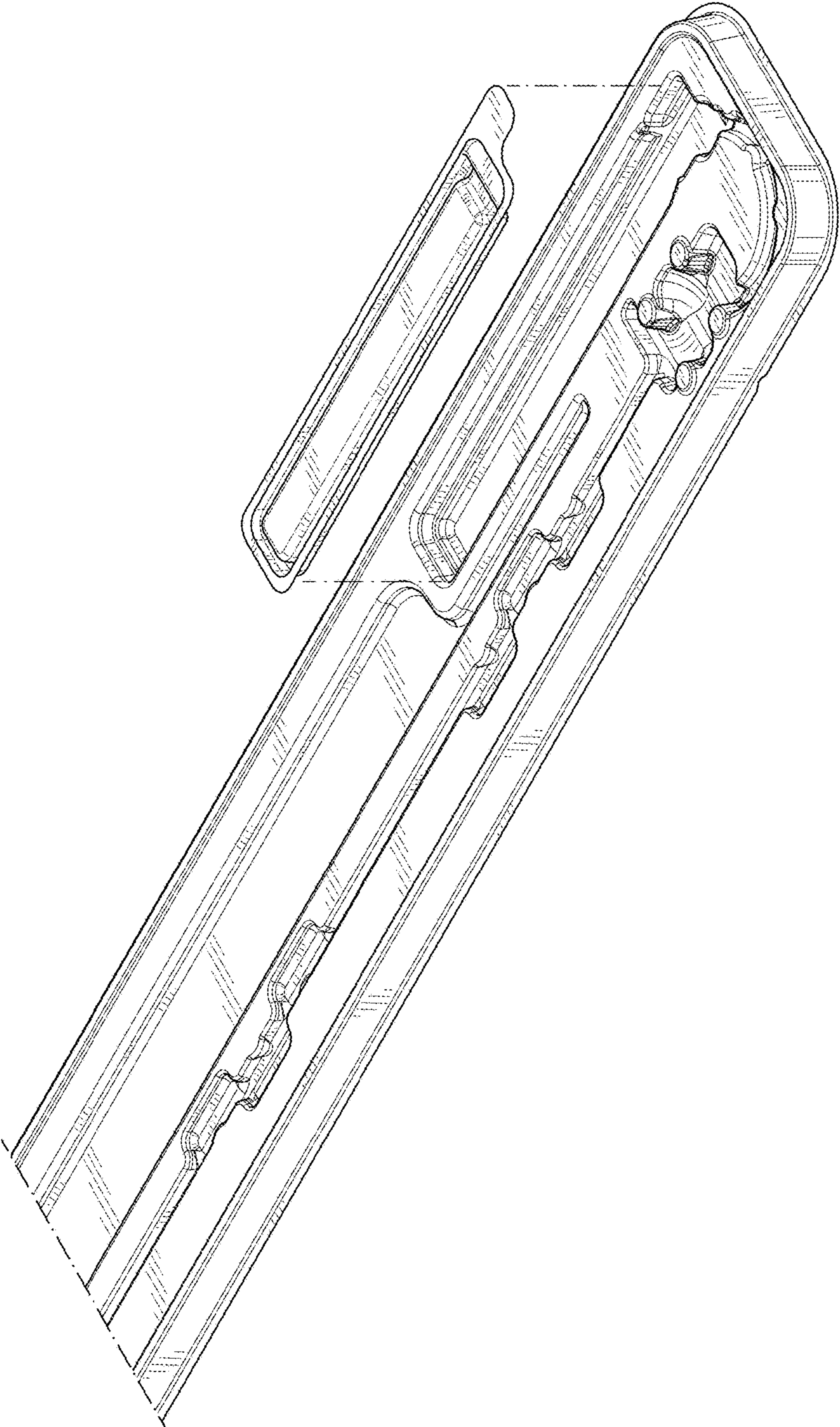


FIG. 9B

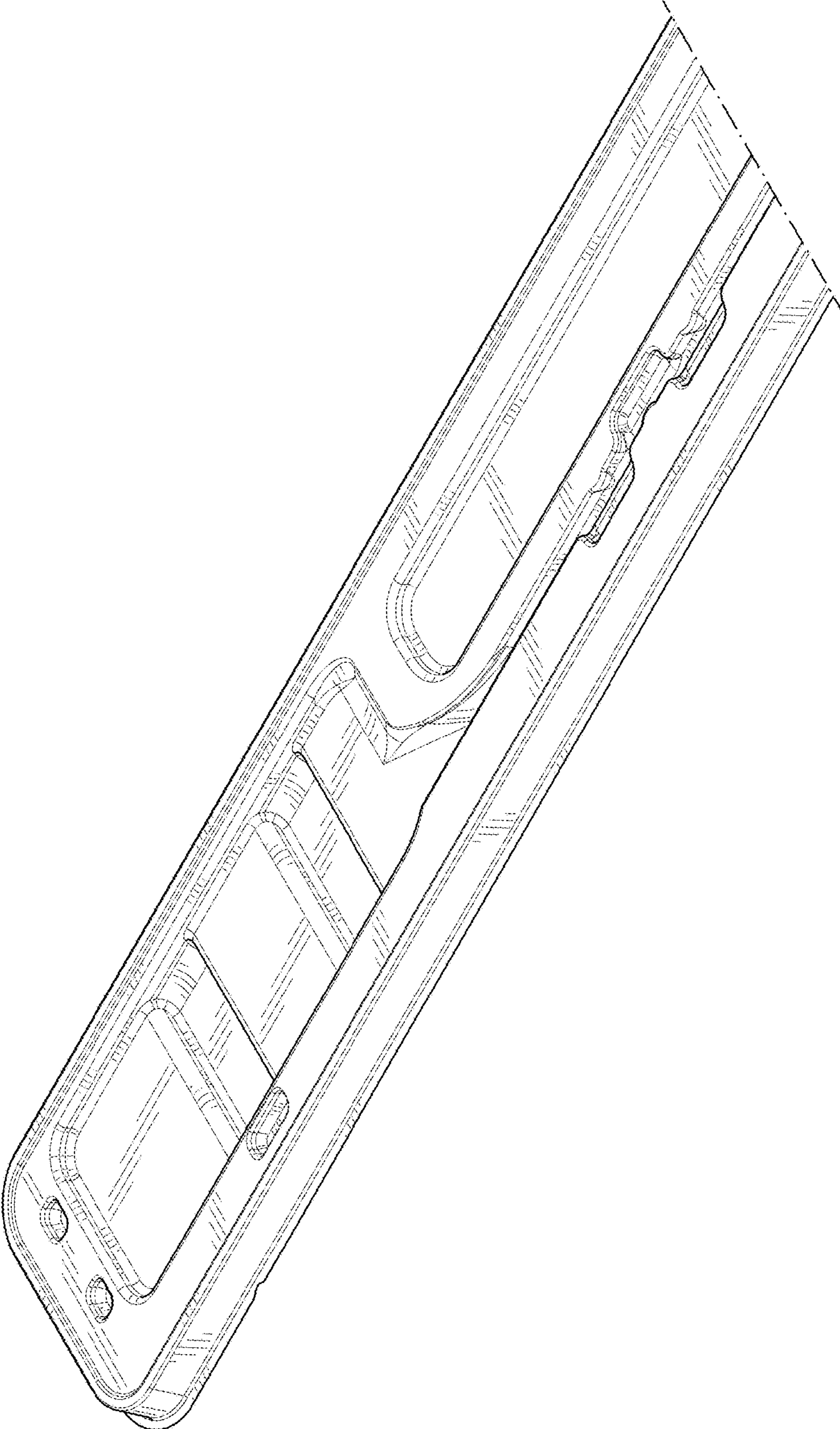


FIG. 10A

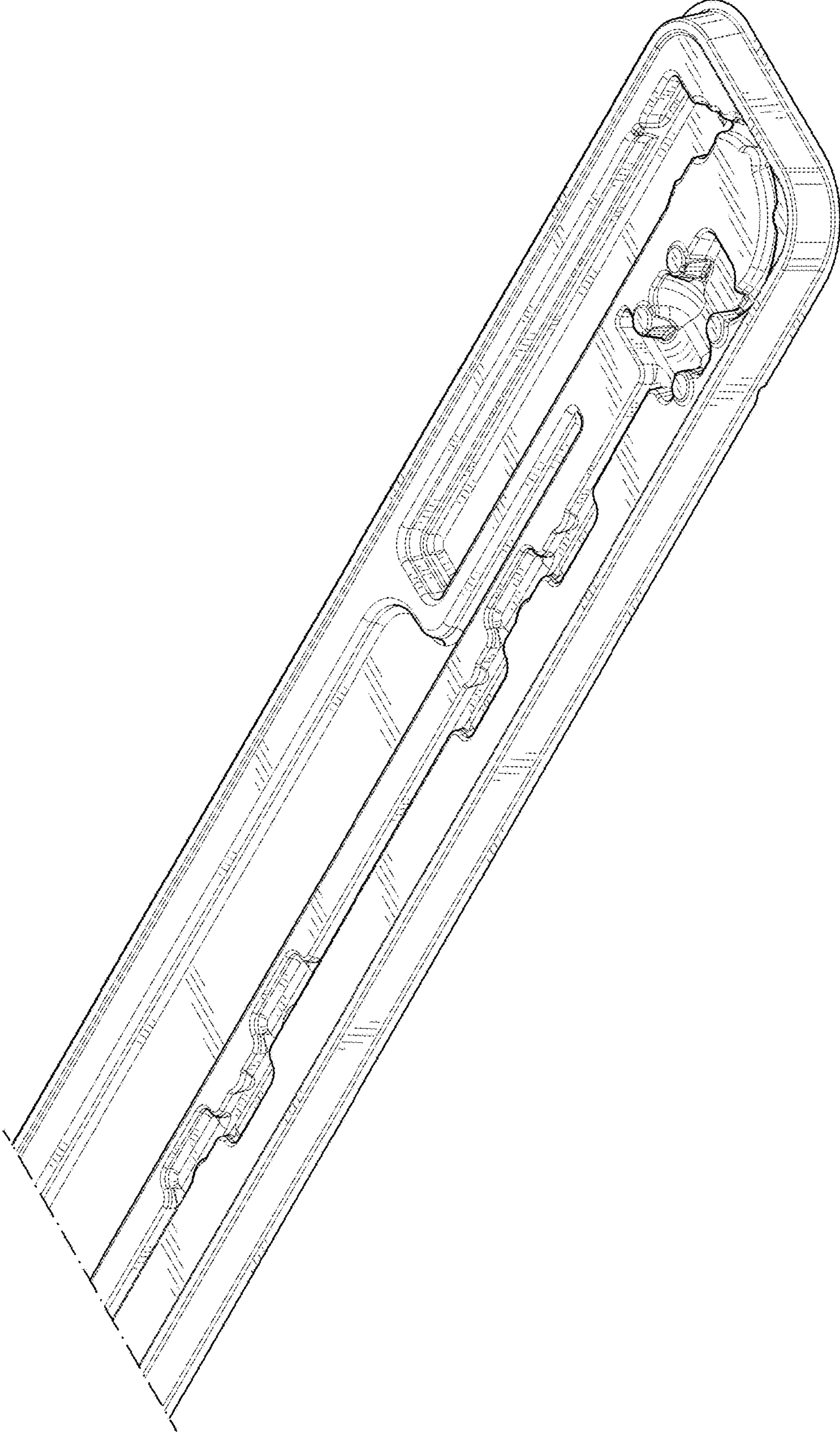


FIG. 10B

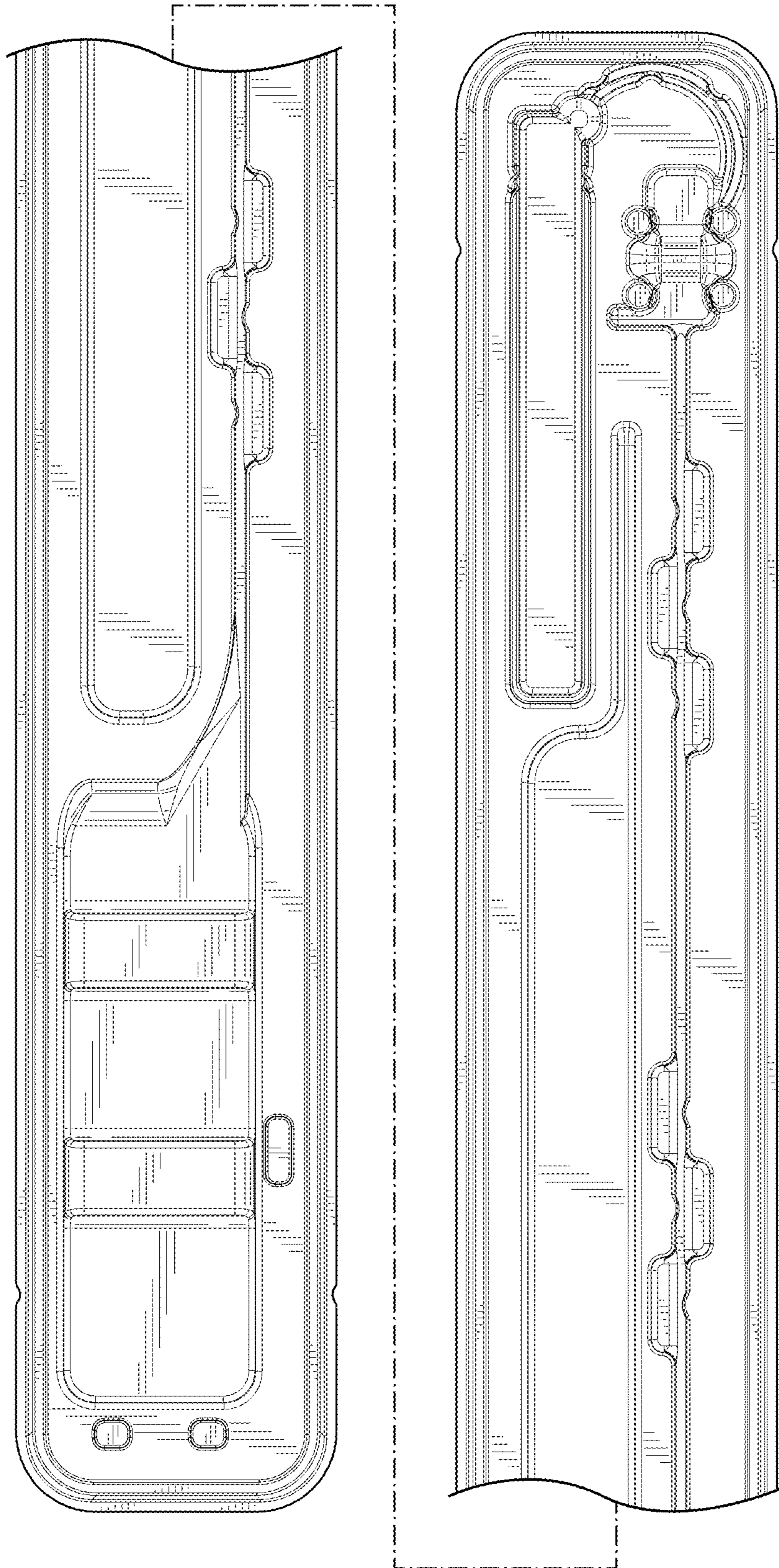


FIG. 11

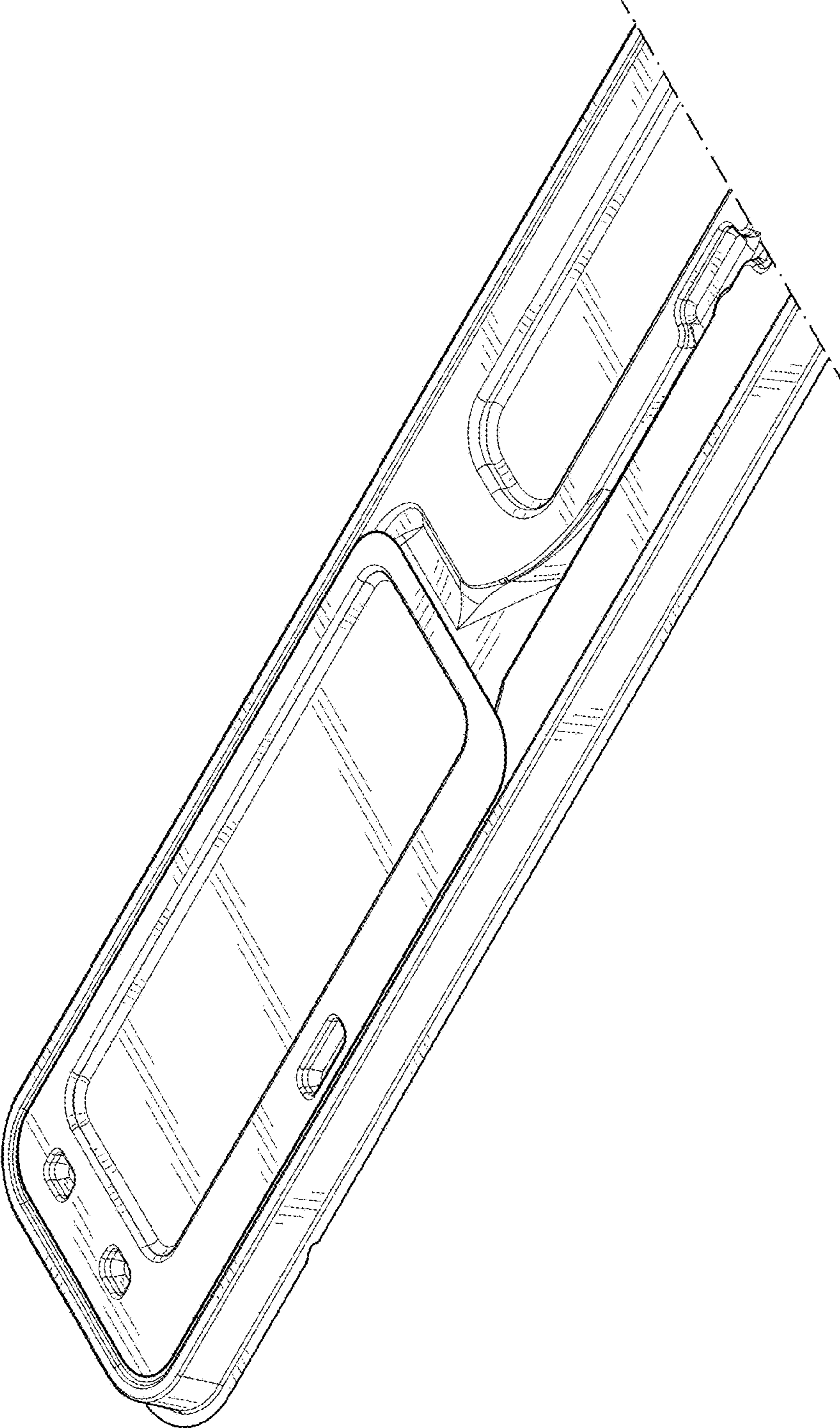


FIG. 12A

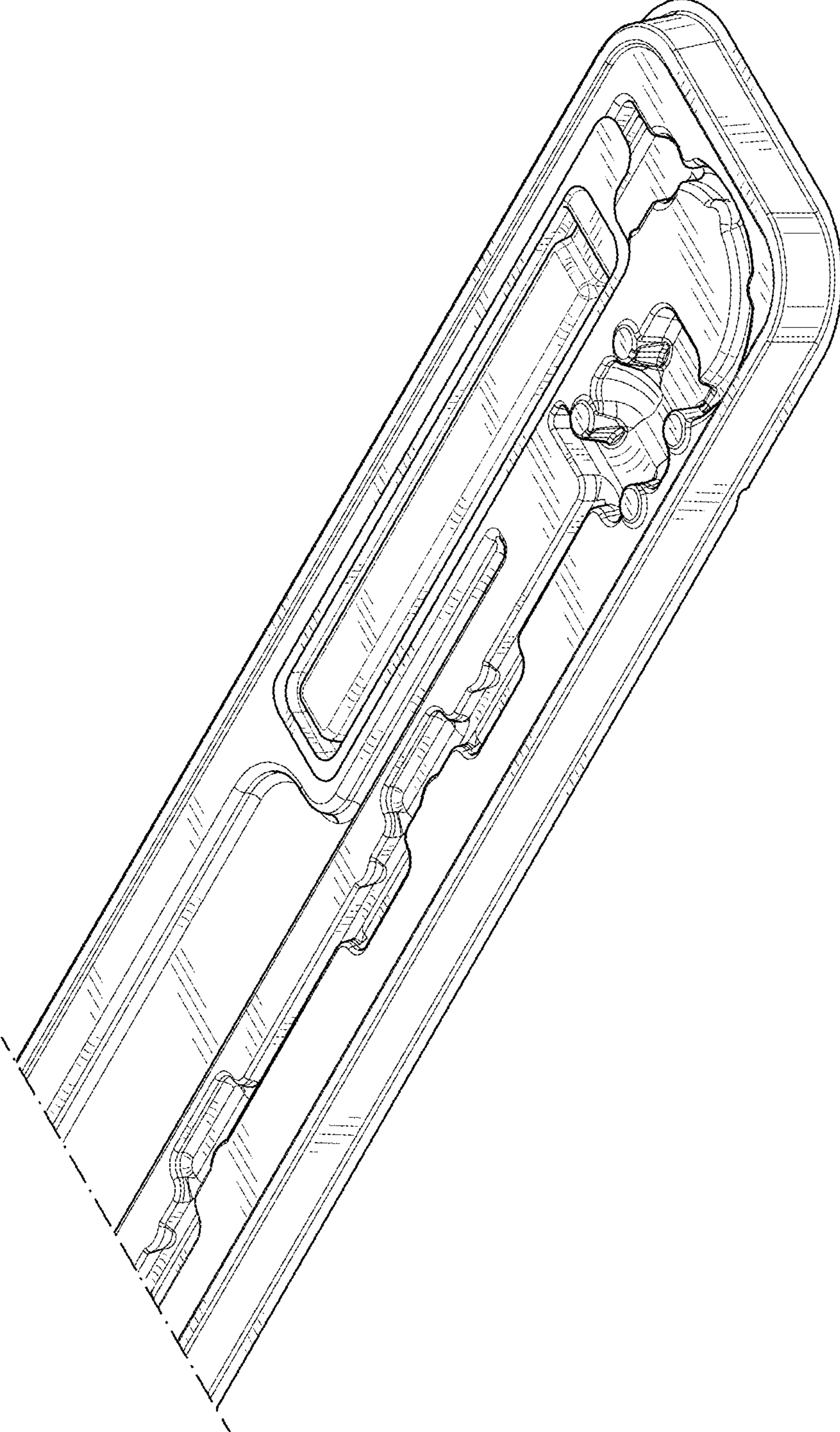


FIG. 12B

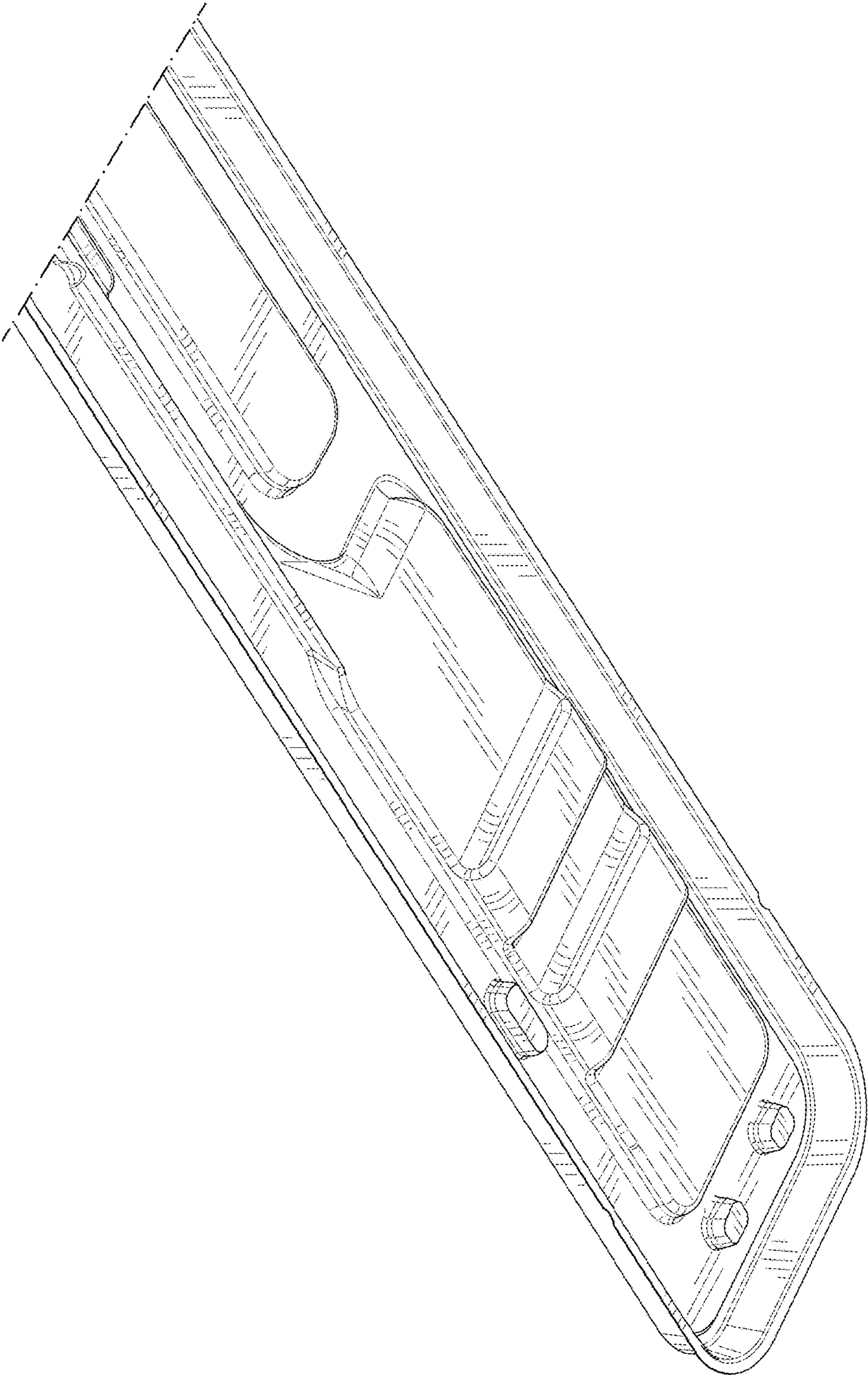


FIG. 13A

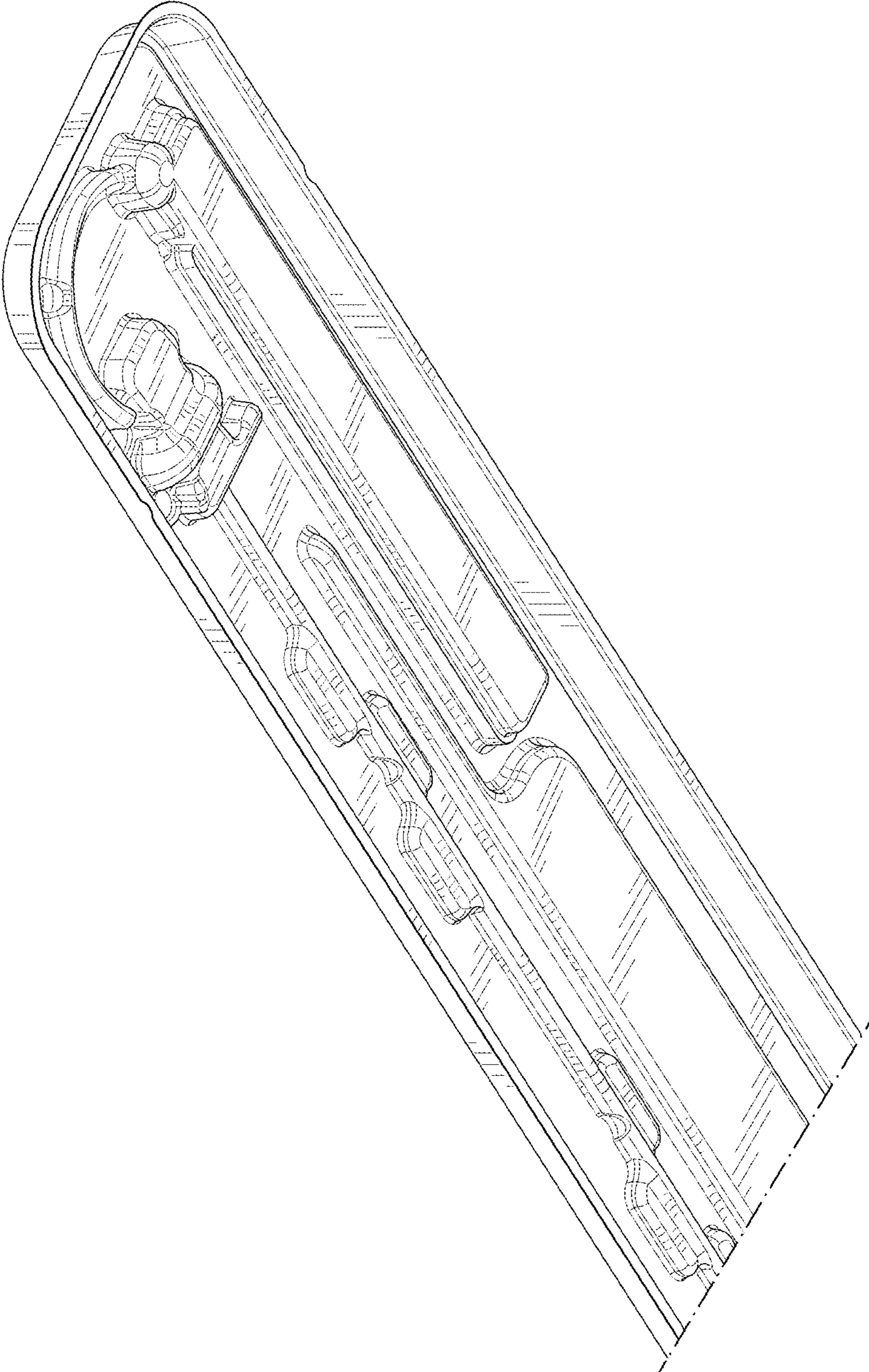


FIG. 13B

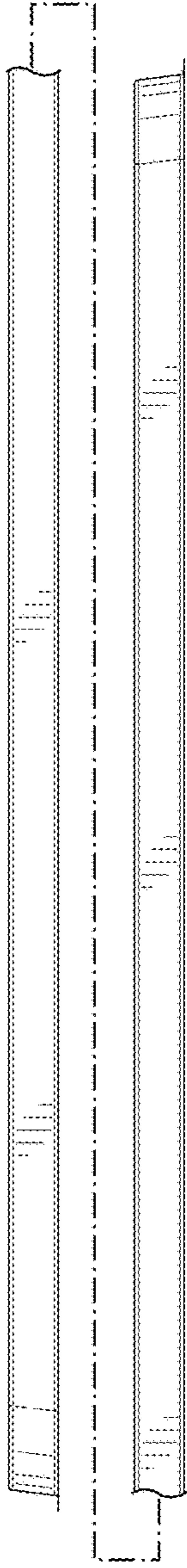


FIG. 14

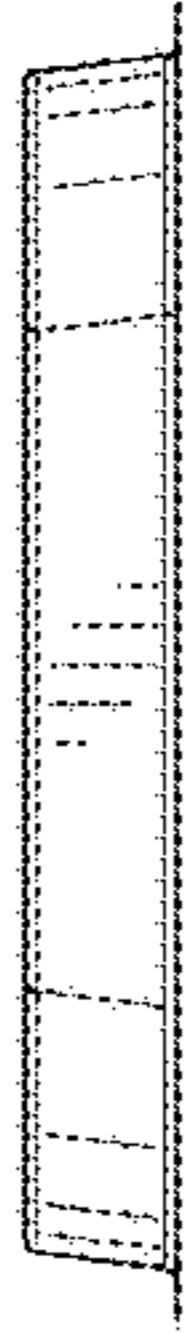


FIG. 15

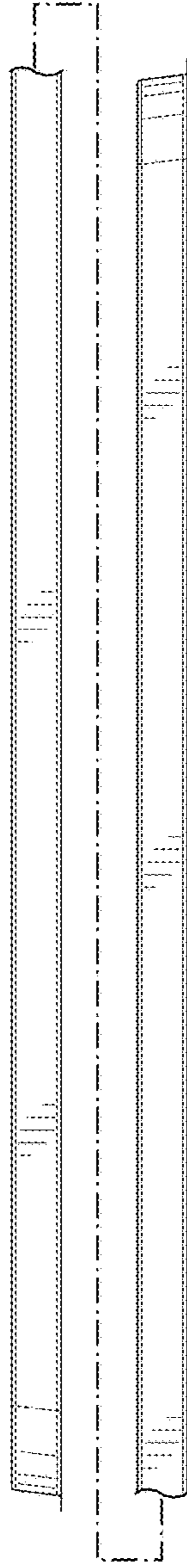


FIG. 16



FIG. 17

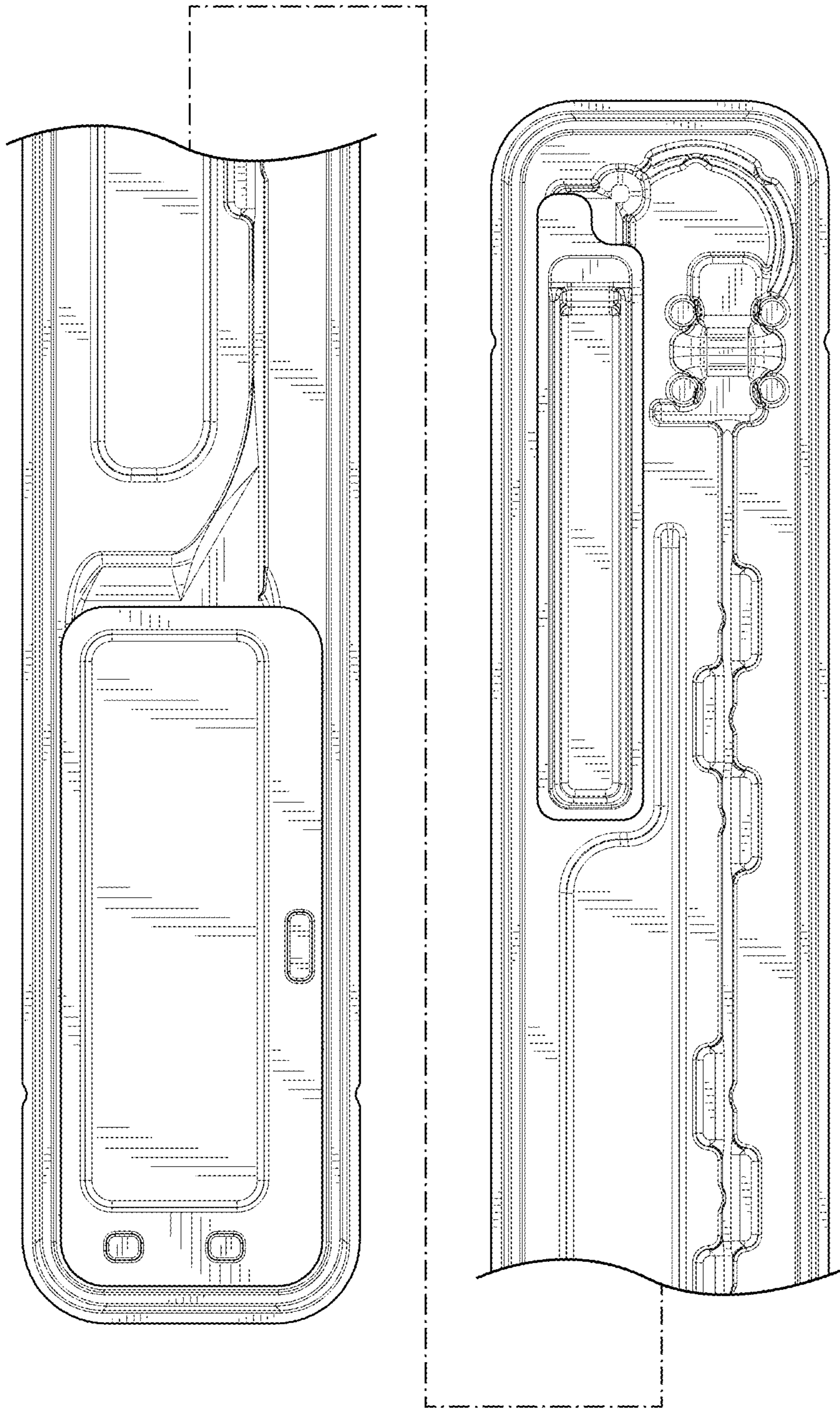


FIG. 18

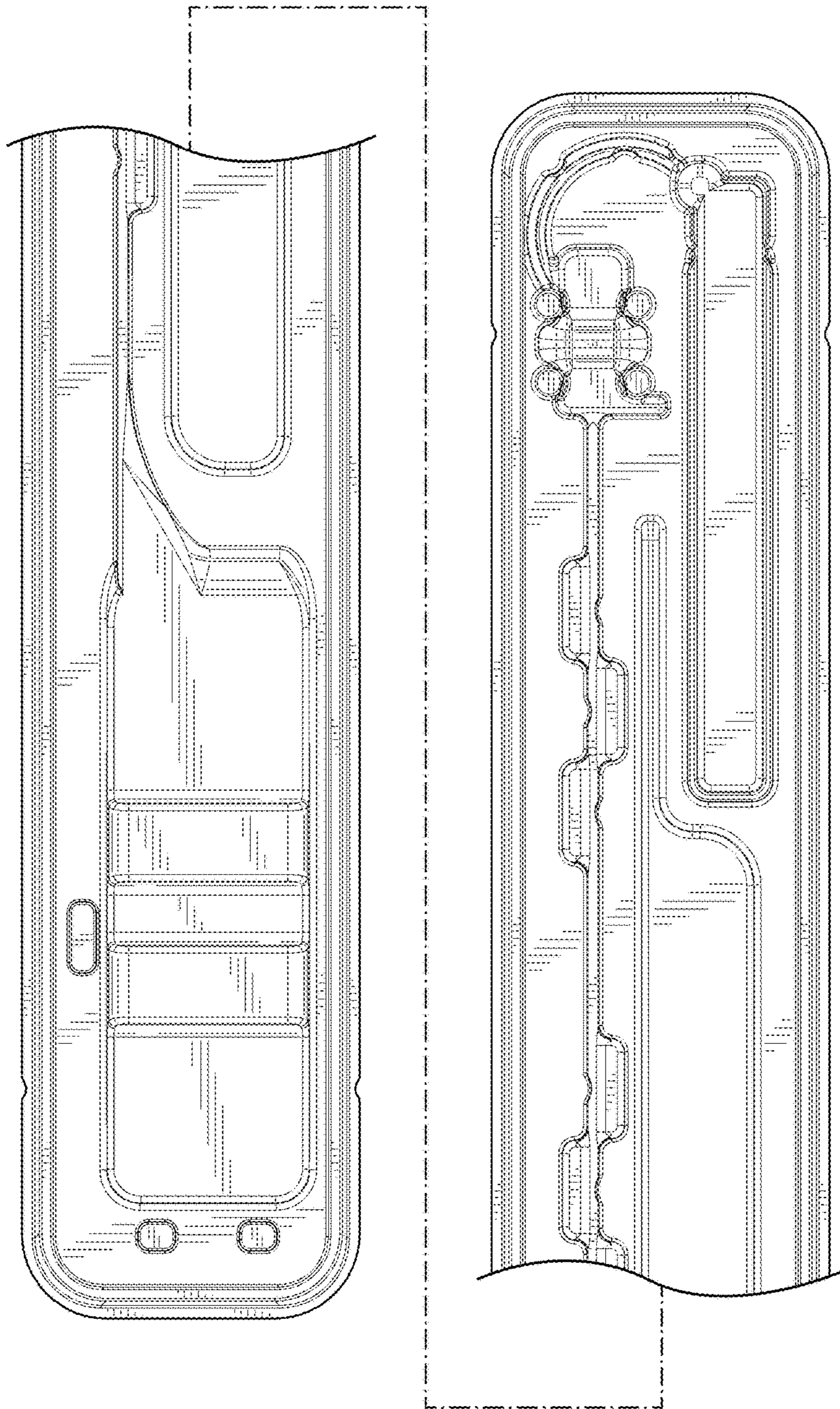


FIG. 19

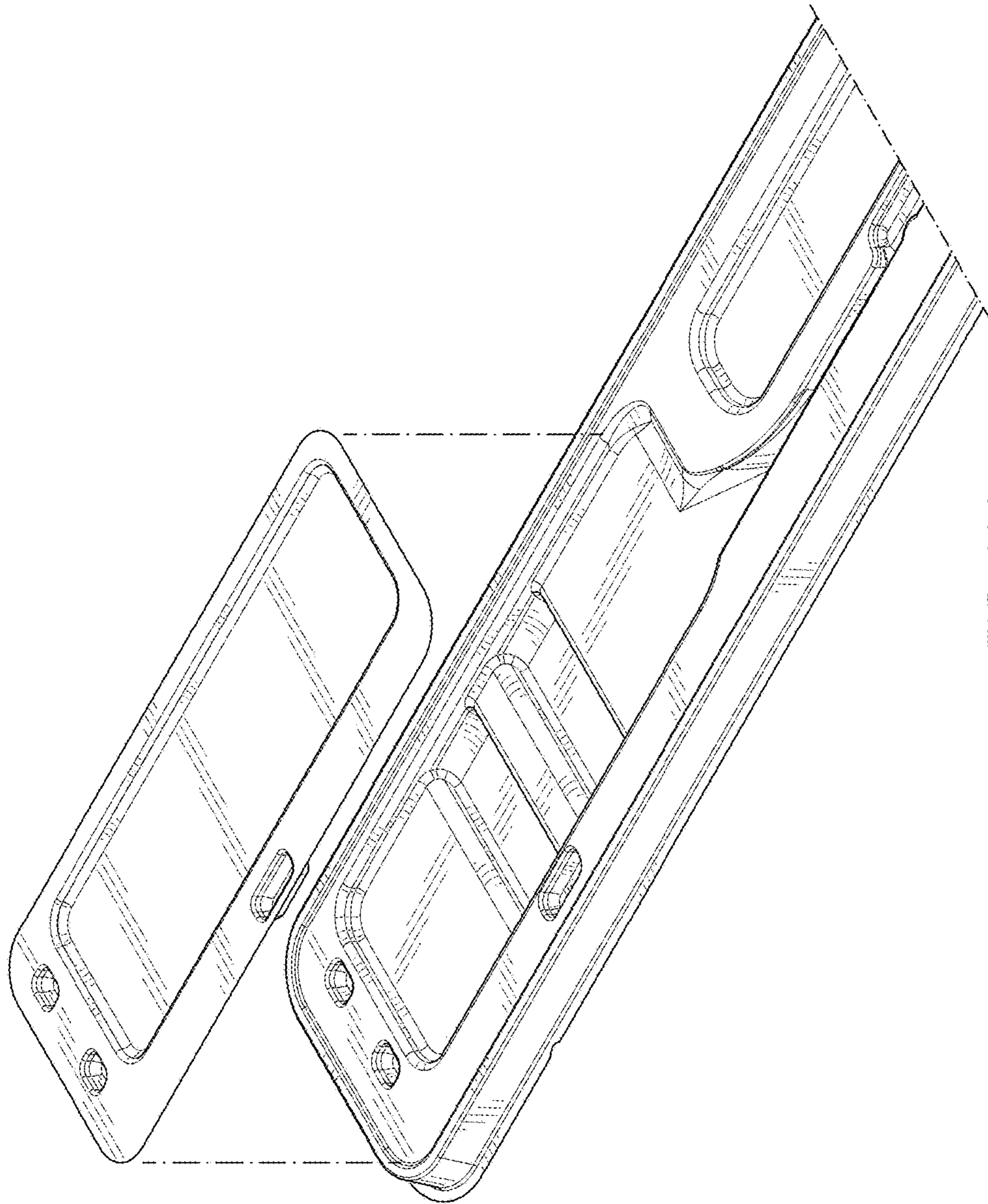


FIG. 20A

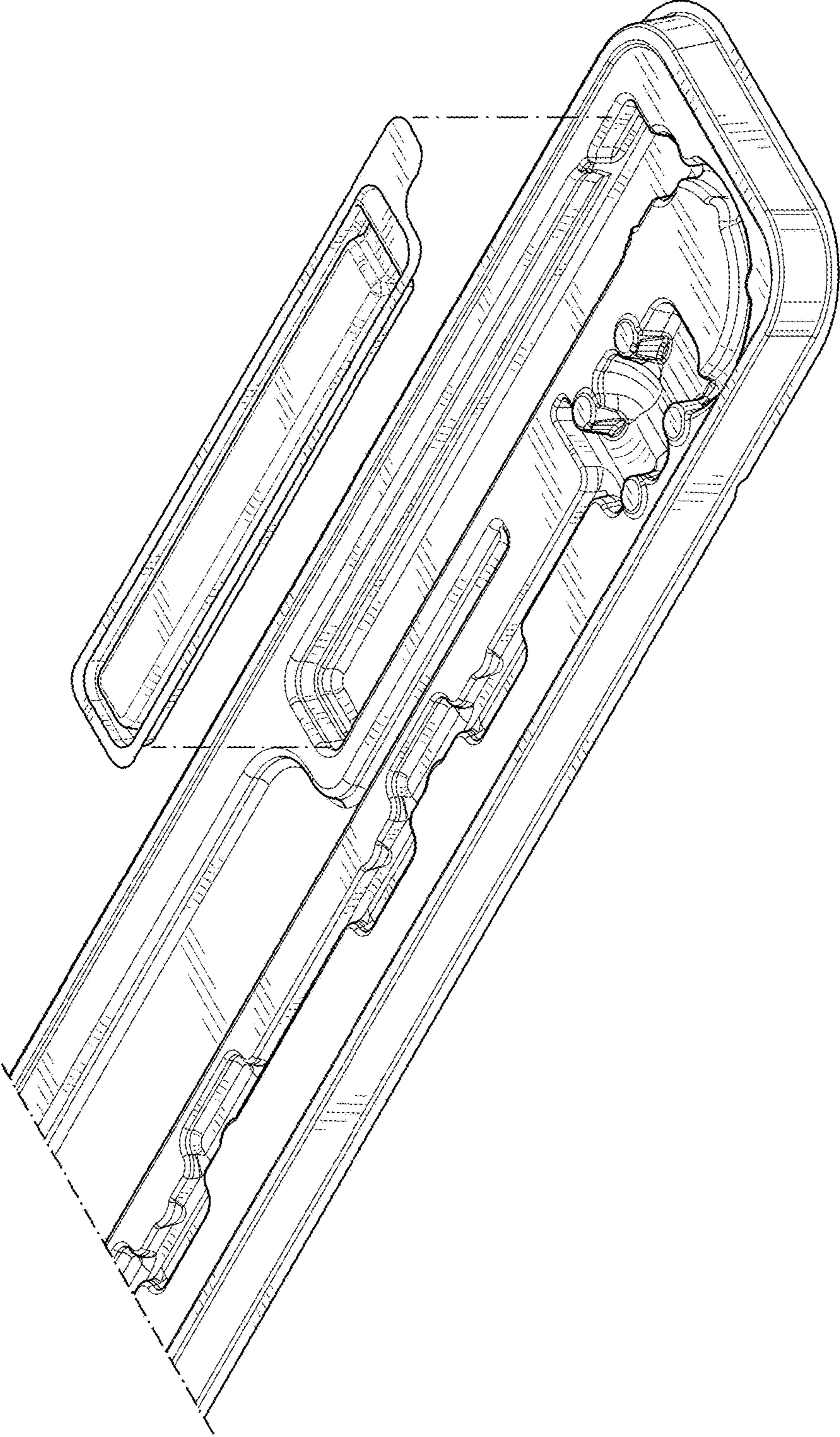


FIG. 20B

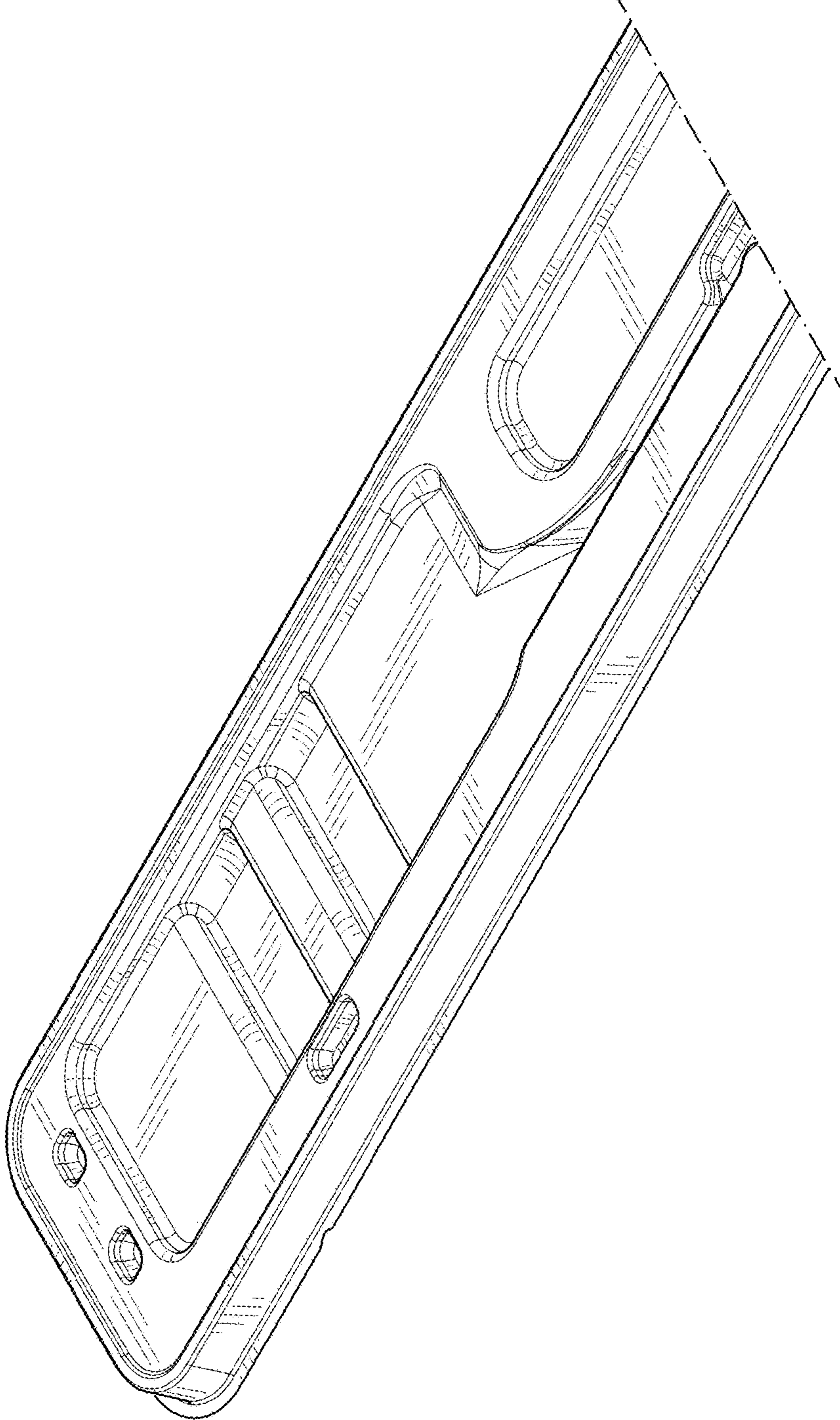


FIG. 21A

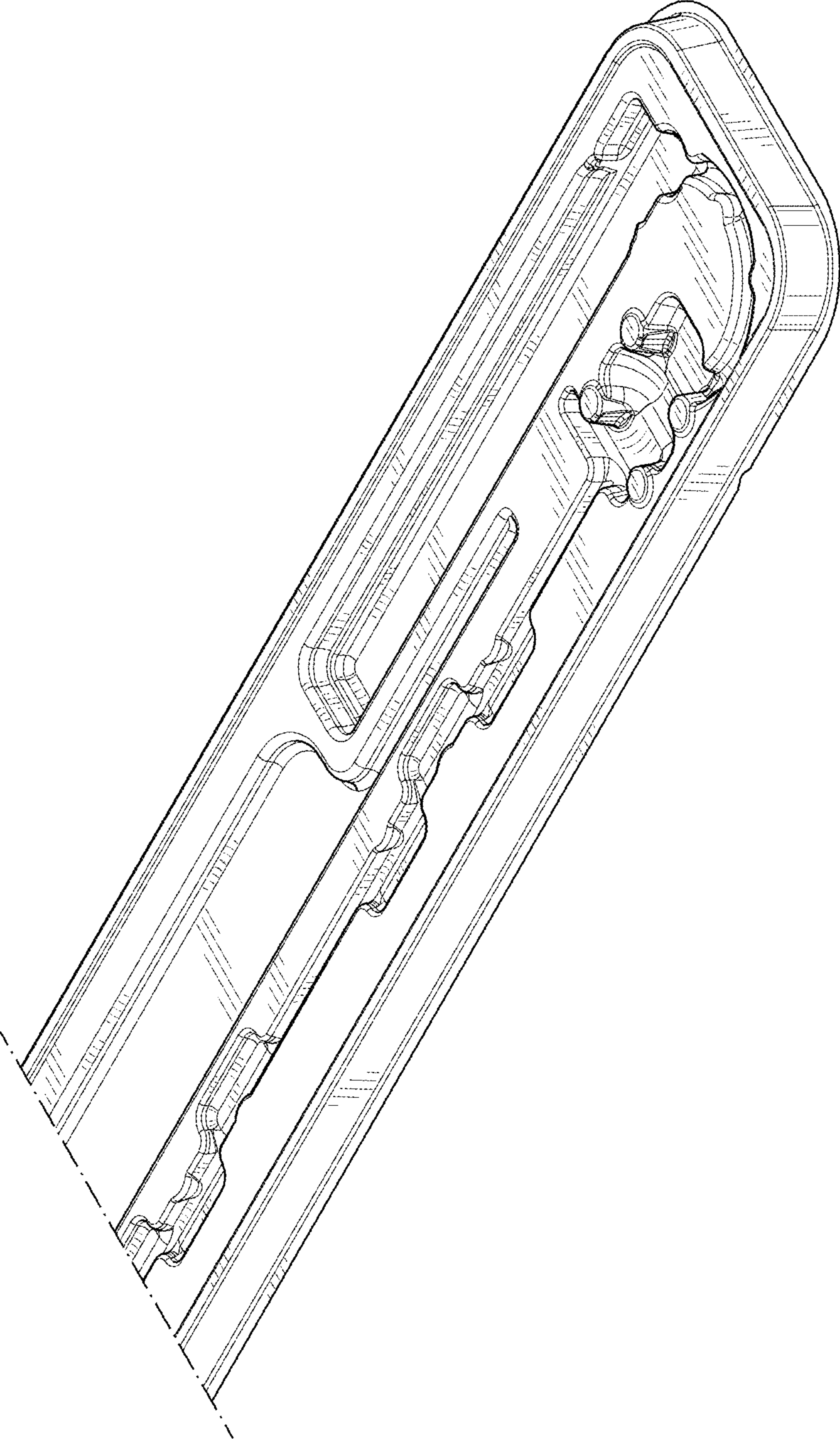


FIG. 21B

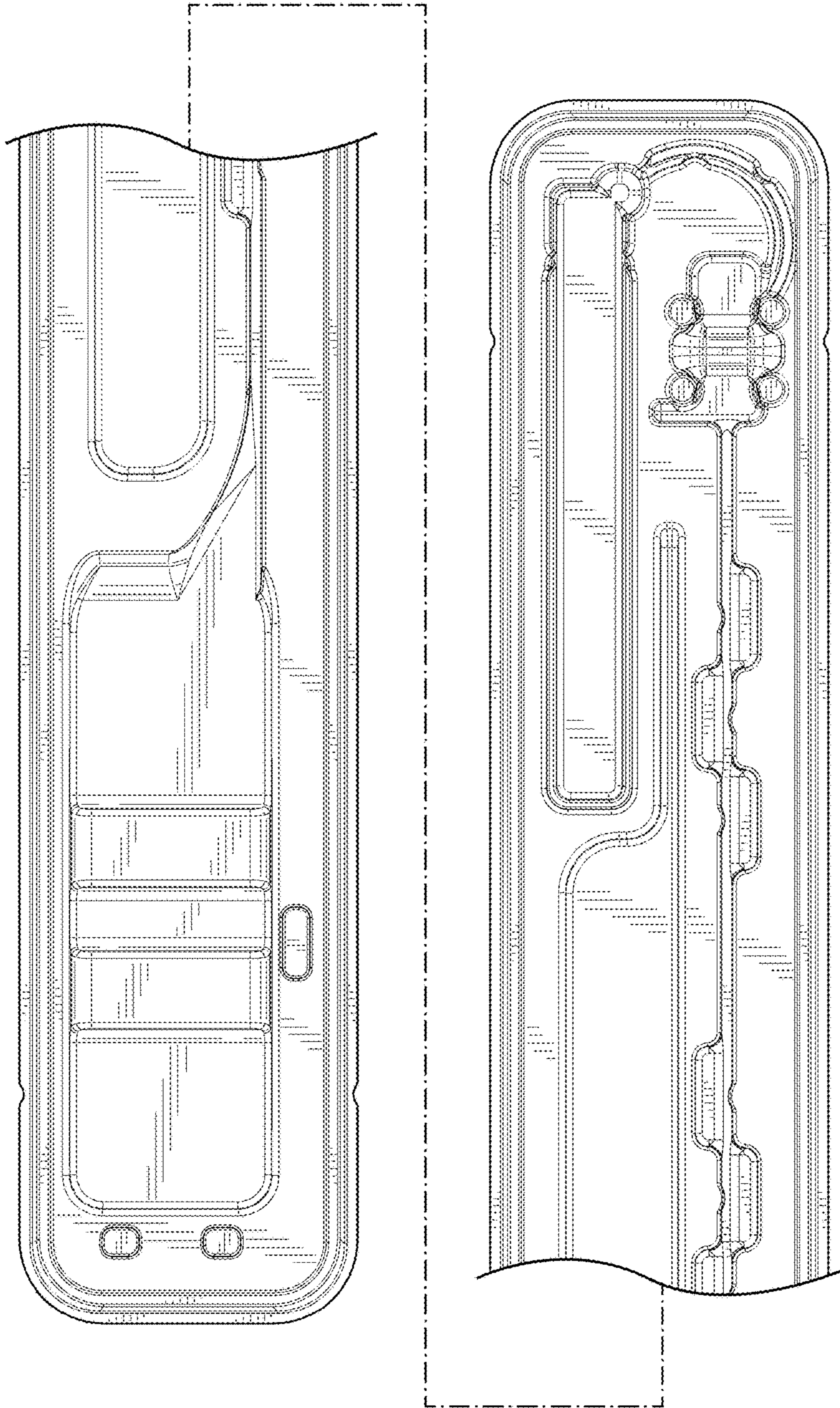


FIG. 22