



US00D816499S

(12) **United States Design Patent** (10) **Patent No.:** **US D816,499 S**
Pellingra et al. (45) **Date of Patent:** **** May 1, 2018**

(54) **FLIP TOP CAP**
(71) Applicant: **ProAmpac Intermediate, Inc.**,
Cincinnati, OH (US)
(72) Inventors: **Salvatore J. Pellingra**, Newport, KY
(US); **Benjamin M. Davis**, West
Chester, OH (US)

(73) Assignee: **ProAmpac Intermediate, Inc.**,
Cincinnati, OH (US)

(**) Term: **15 Years**

(21) Appl. No.: **29/614,033**

(22) Filed: **Aug. 15, 2017**

Related U.S. Application Data

(62) Division of application No. 29/554,445, filed on Feb. 11, 2016, now Pat. No. Des. 794,457, which is a division of application No. 29/481,300, filed on Feb. 4, 2014, now Pat. No. Des. 787,327.

(51) **LOC (11) Cl.** **09-07**

(52) **U.S. Cl.**
USPC **D9/449**

(58) **Field of Classification Search**
USPC D7/392, 398; D9/434, 435, 439, 440,
D9/446-450, 453, 454, 499, 515, 737,
D9/739; 222/153.02, 153.14, 553, 556,
222/566, 575; 215/235, 236, 237
CPC B65D 47/10; B65D 47/065; B65D 47/08
See application file for complete search history.

(56) **References Cited**

U.S. PATENT DOCUMENTS

4,254,889 A * 3/1981 Jacobs B65D 39/12
215/358
5,273,172 A * 12/1993 Rossbach A47G 19/2266
215/229

D370,630 S * 6/1996 Robbins, III D9/449
D371,297 S * 7/1996 Robbins, III D9/436
D398,813 S * 9/1998 Franzese D7/396.1
D457,384 S * 5/2002 Randolph D7/392.1
D462,806 S * 9/2002 Draghetti D27/189
D529,380 S * 10/2006 Yelland D9/447
7,156,228 B2 * 1/2007 Brizzi B65D 5/6691
206/268
D673,041 S * 12/2012 Antier D9/443

(Continued)

Primary Examiner — Robert M. Spear

(74) *Attorney, Agent, or Firm* — Perman & Green, LLP

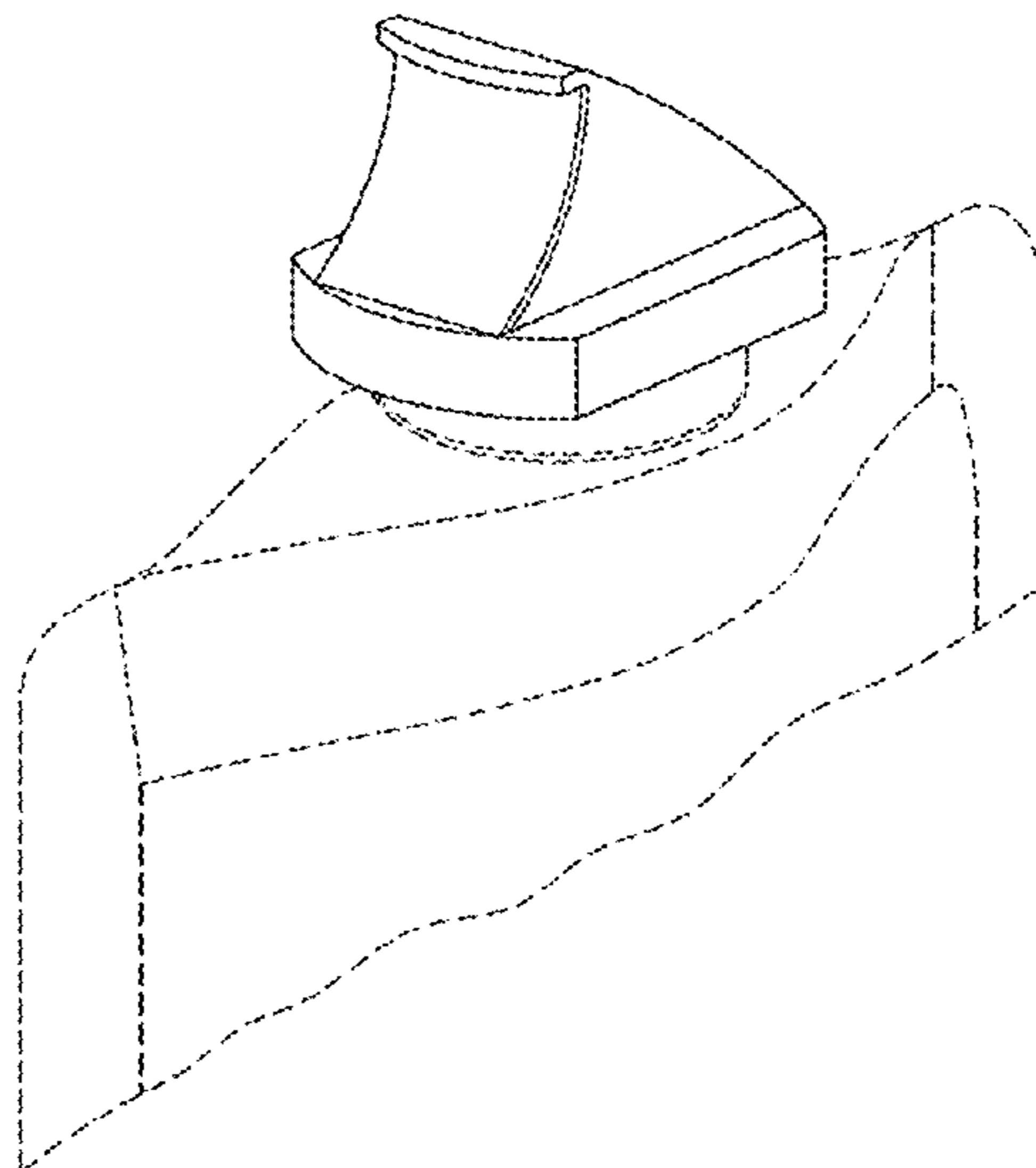
(57) **CLAIM**

The ornamental design for a flip top cap, as shown and described.

DESCRIPTION

FIG. 1 is a front perspective view of a flip top cap in accordance with an embodiment of our new design; FIG. 2 is a top elevation view of the flip top cap of FIG. 1; FIG. 3 front elevation view of the flip top cap of FIG. 1; FIG. 4 is a right side elevation view of the flip top cap of FIG. 1; FIG. 5 is a front perspective view of a flip top cap of FIG. 1 with the flip top cap in the open position; FIG. 6 is a front perspective view of a flip top cap in accordance with another embodiment of our new design; FIG. 7 is a top elevation view of the flip top cap of FIG. 6; FIG. 8 is a front elevation view of the flip top cap of FIG. 6; FIG. 9 is a right side elevation view of the flip top cap of FIG. 6; and, FIG. 10 is a front perspective view of a flip top cap of FIG. 6 with the flip top cap in the open position. The portions of FIG. 1 to FIG. 10 that are shown in broken lines are unclaimed environmental subject matter only and form no part of the claimed design.

1 Claim, 6 Drawing Sheets



(56)

References Cited

U.S. PATENT DOCUMENTS

D677,158 S * 3/2013 Delaney D9/449
D721,276 S * 1/2015 Herbst D7/396.2
D738,737 S * 9/2015 McCay D9/449
D747,651 S * 1/2016 Hawry D9/449
D779,872 S * 2/2017 Bergstrom D7/392.1
D787,327 S * 5/2017 Pellingra D9/449
D794,457 S * 8/2017 Pellingra D9/449
2012/0000944 A1 1/2012 Romanov et al.

* cited by examiner

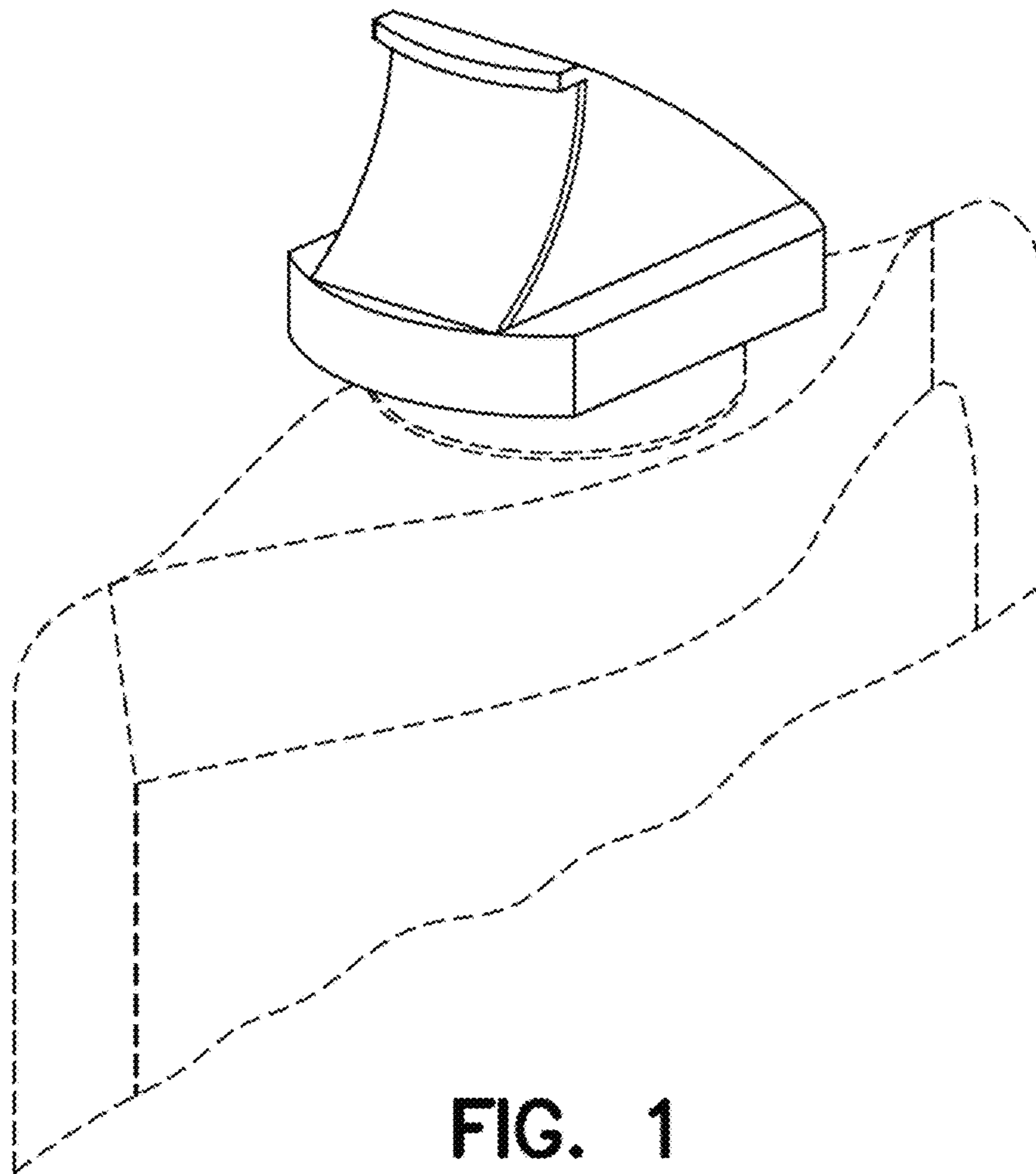


FIG. 1

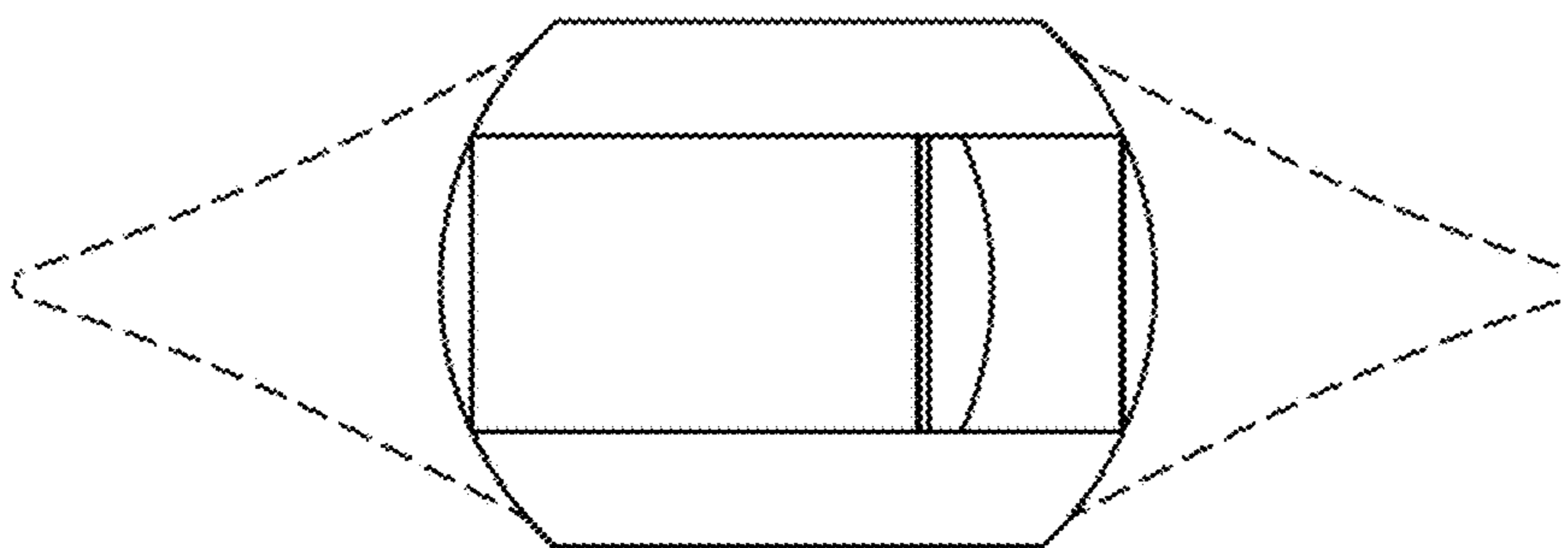


FIG. 2

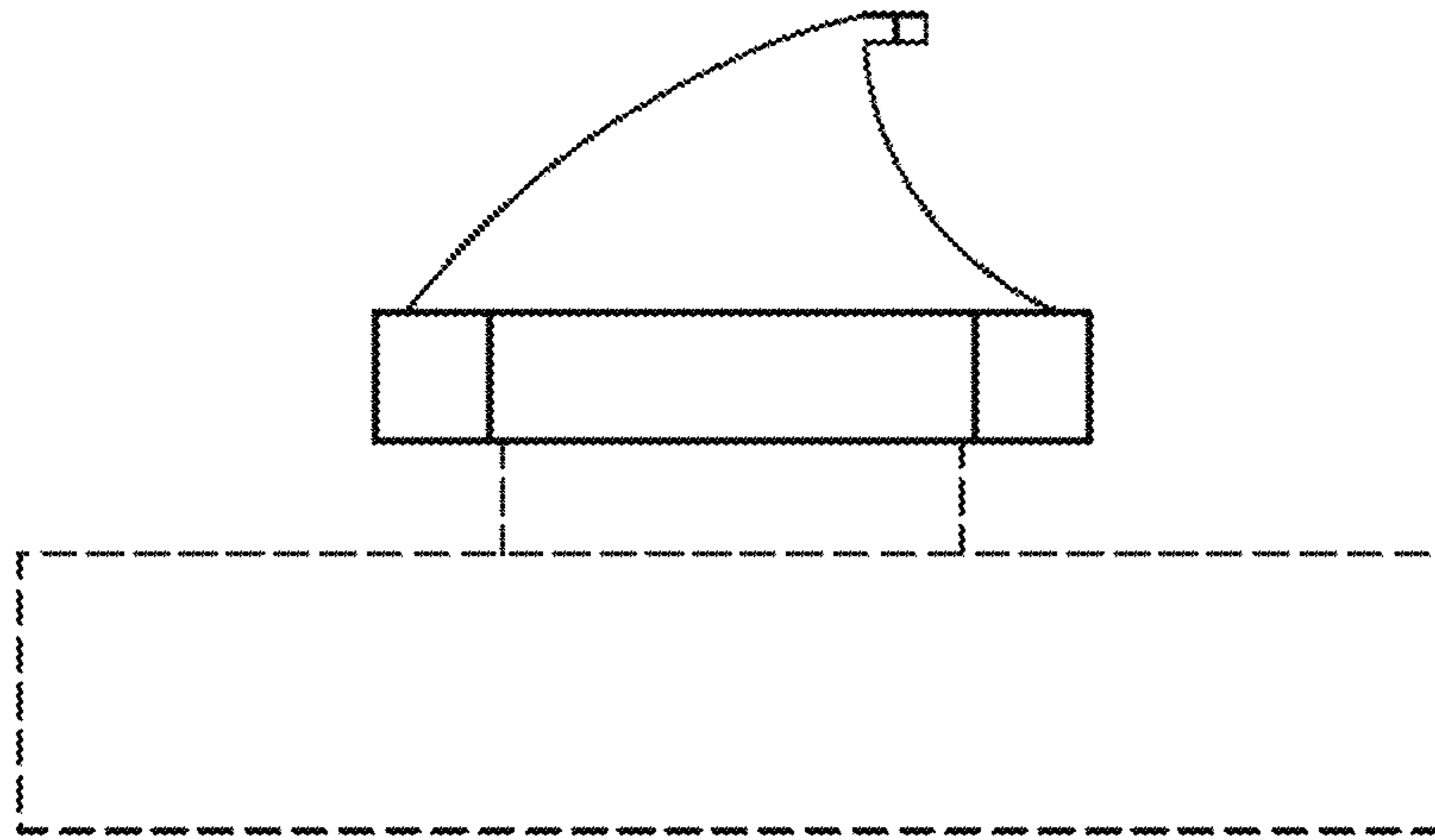


FIG. 3

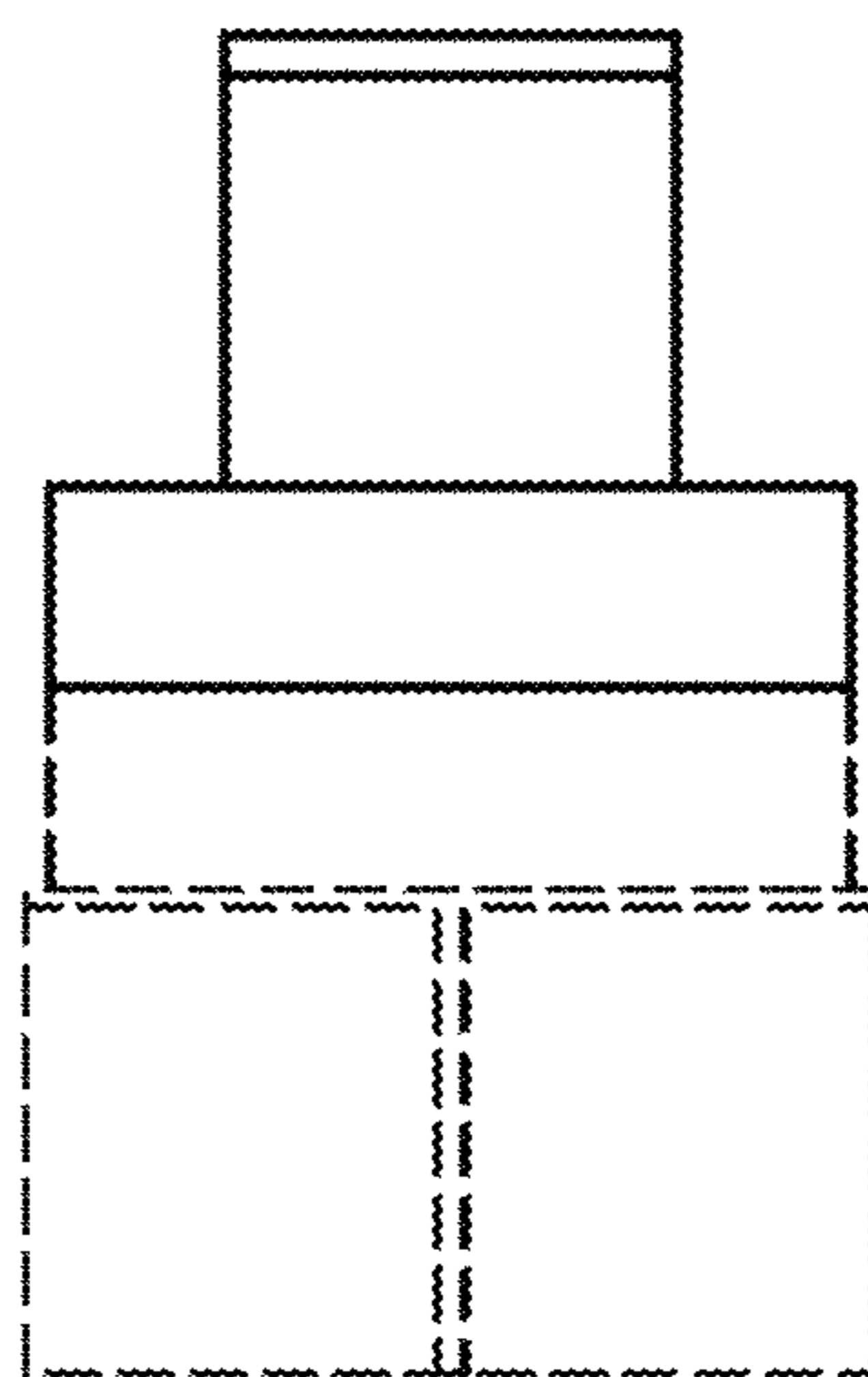


FIG. 4

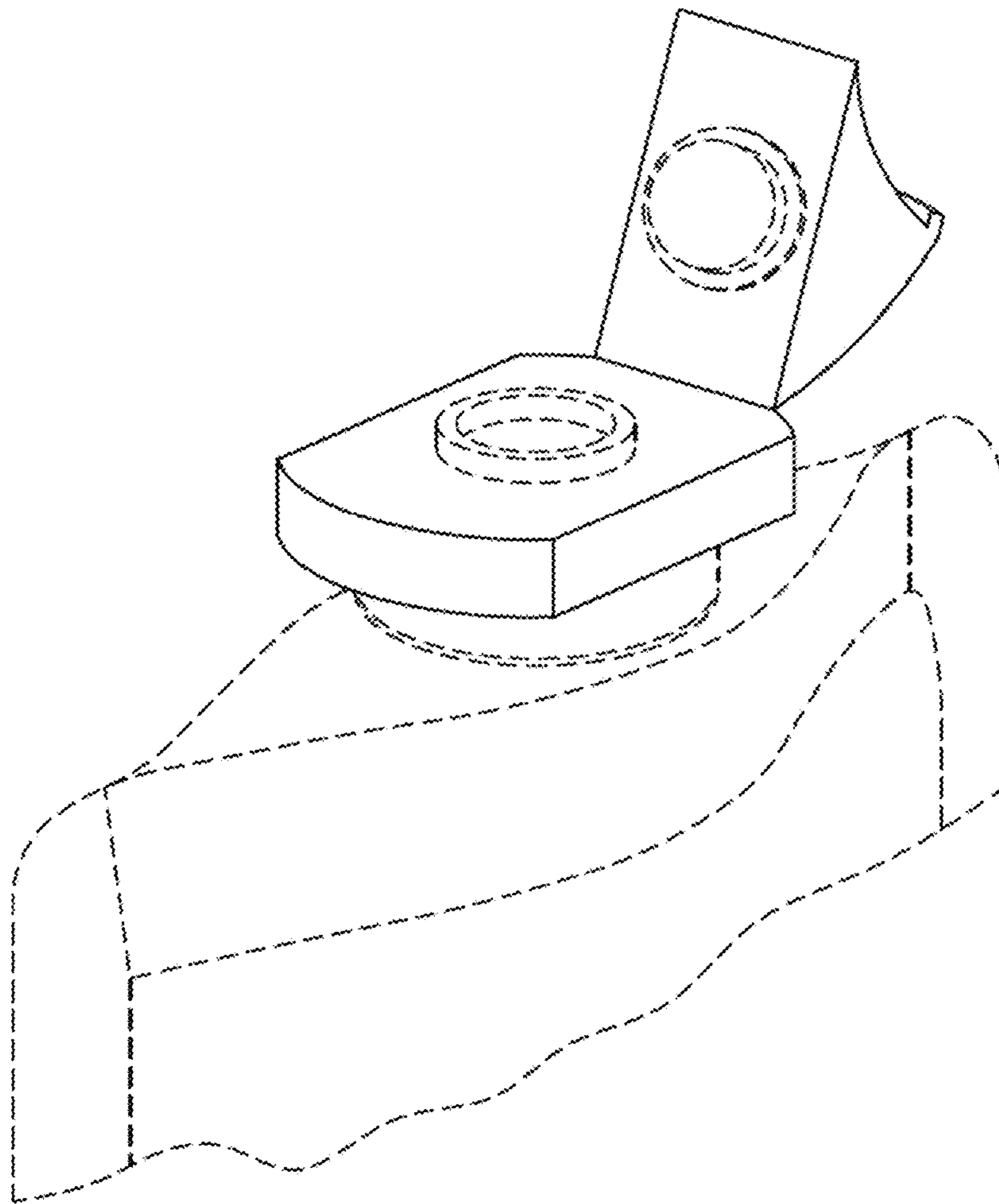


FIG. 5

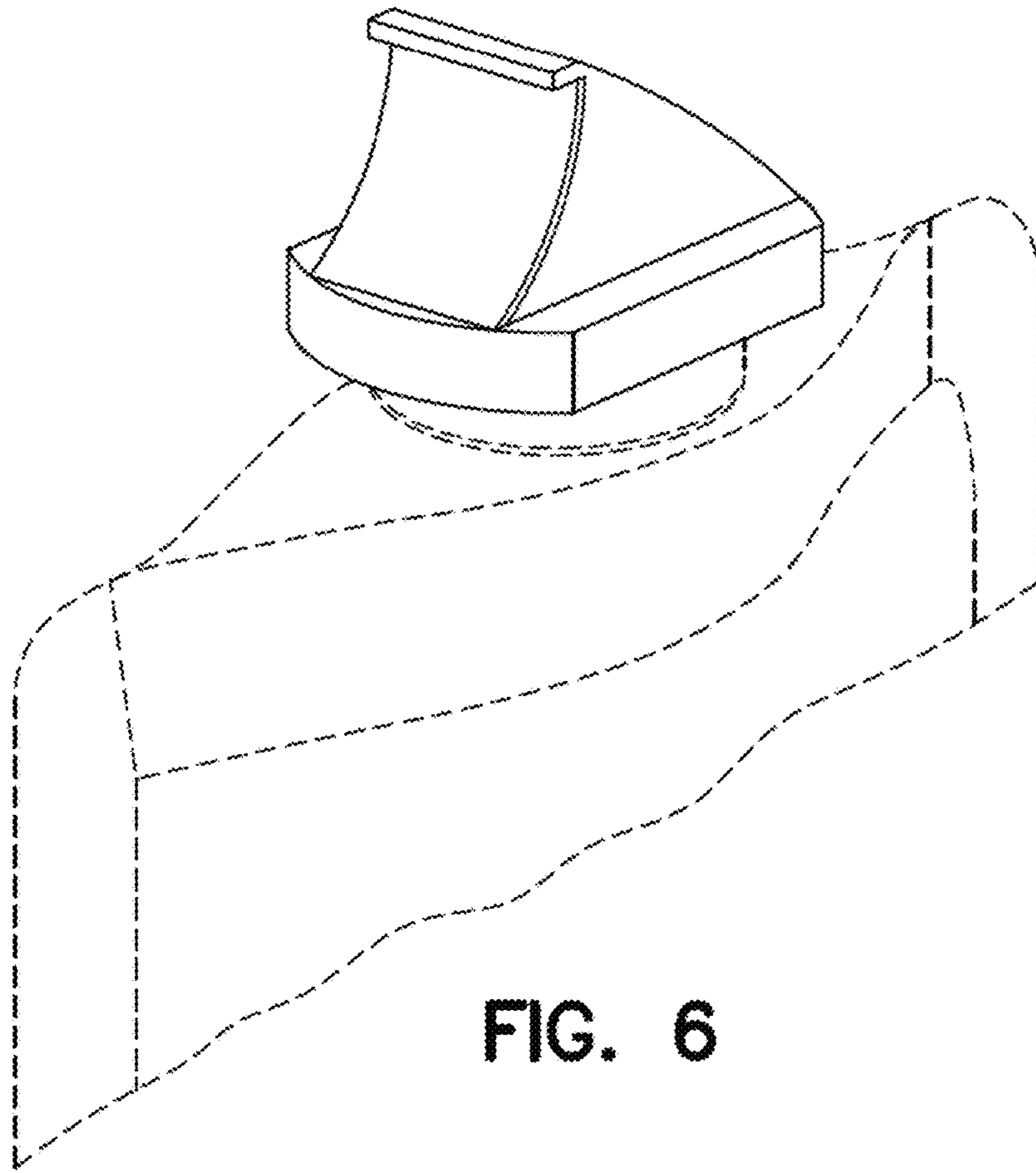


FIG. 6

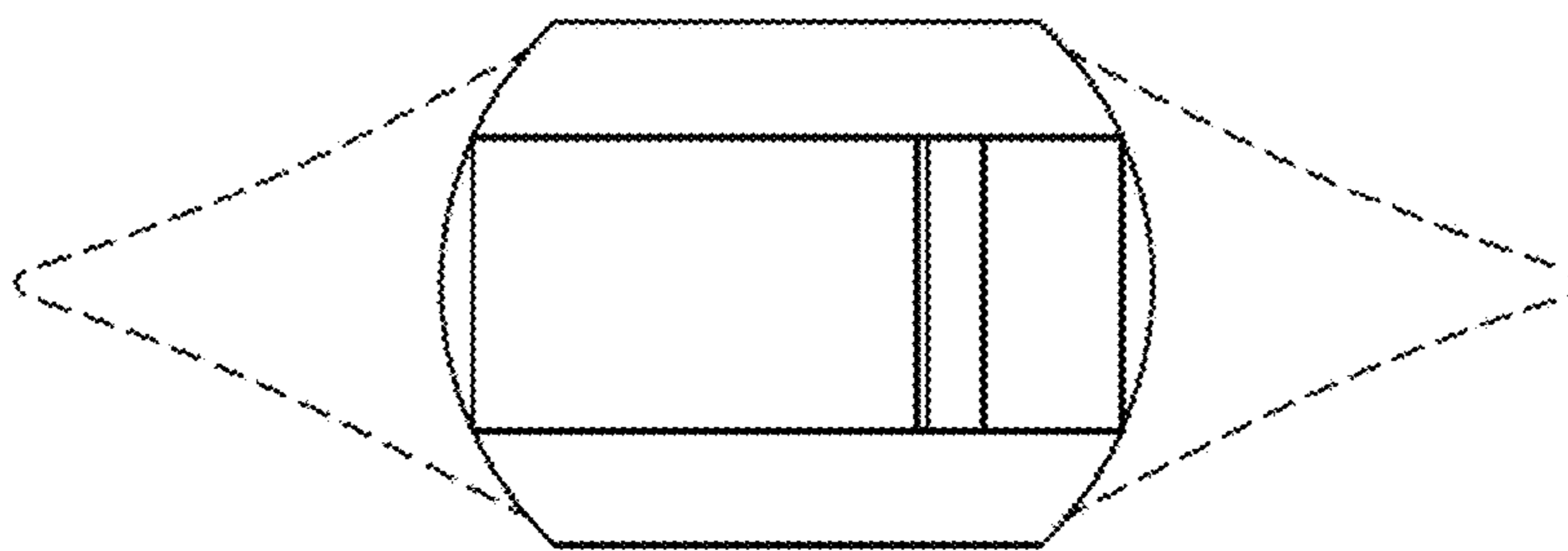


FIG. 7

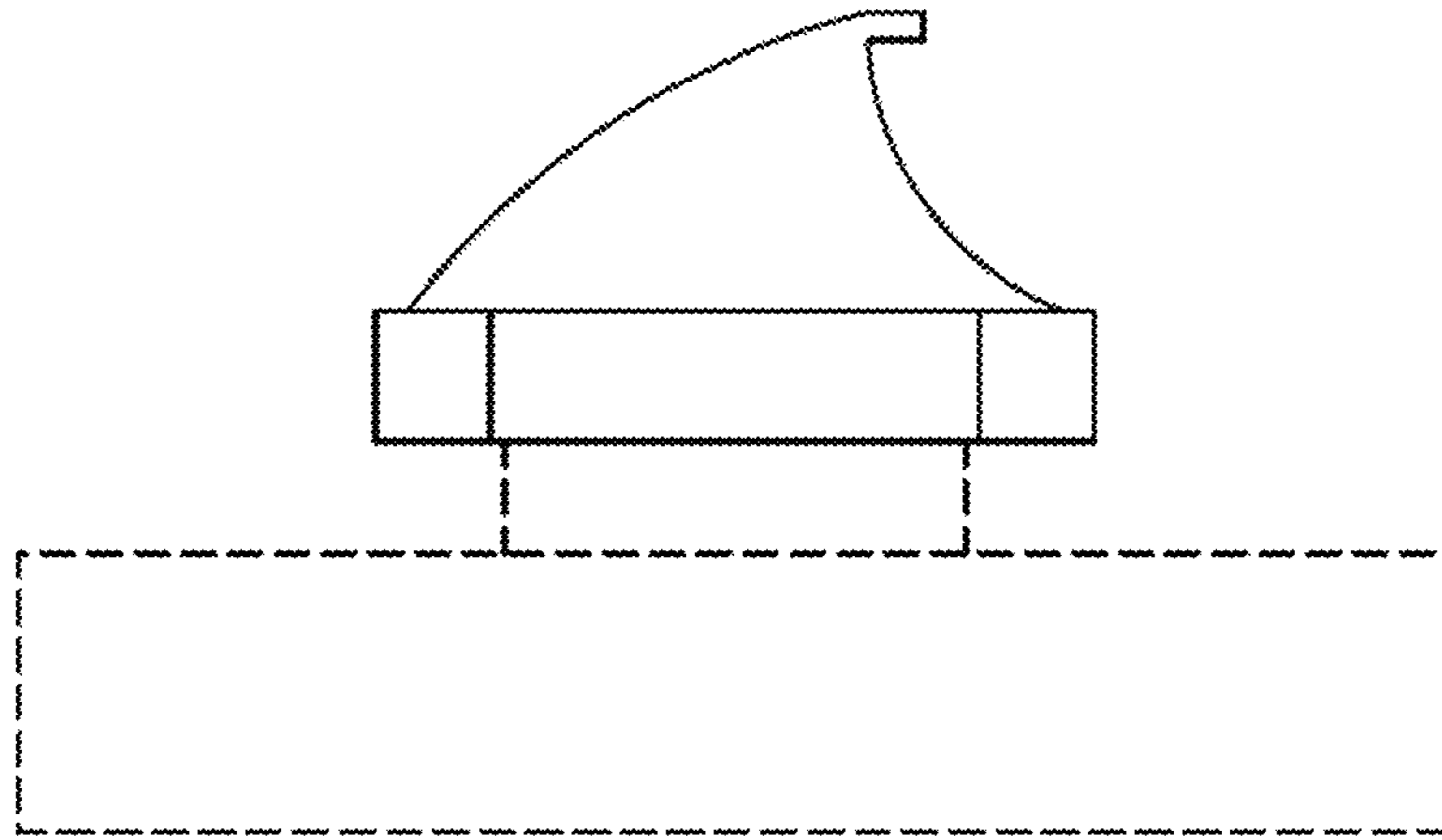


FIG. 8

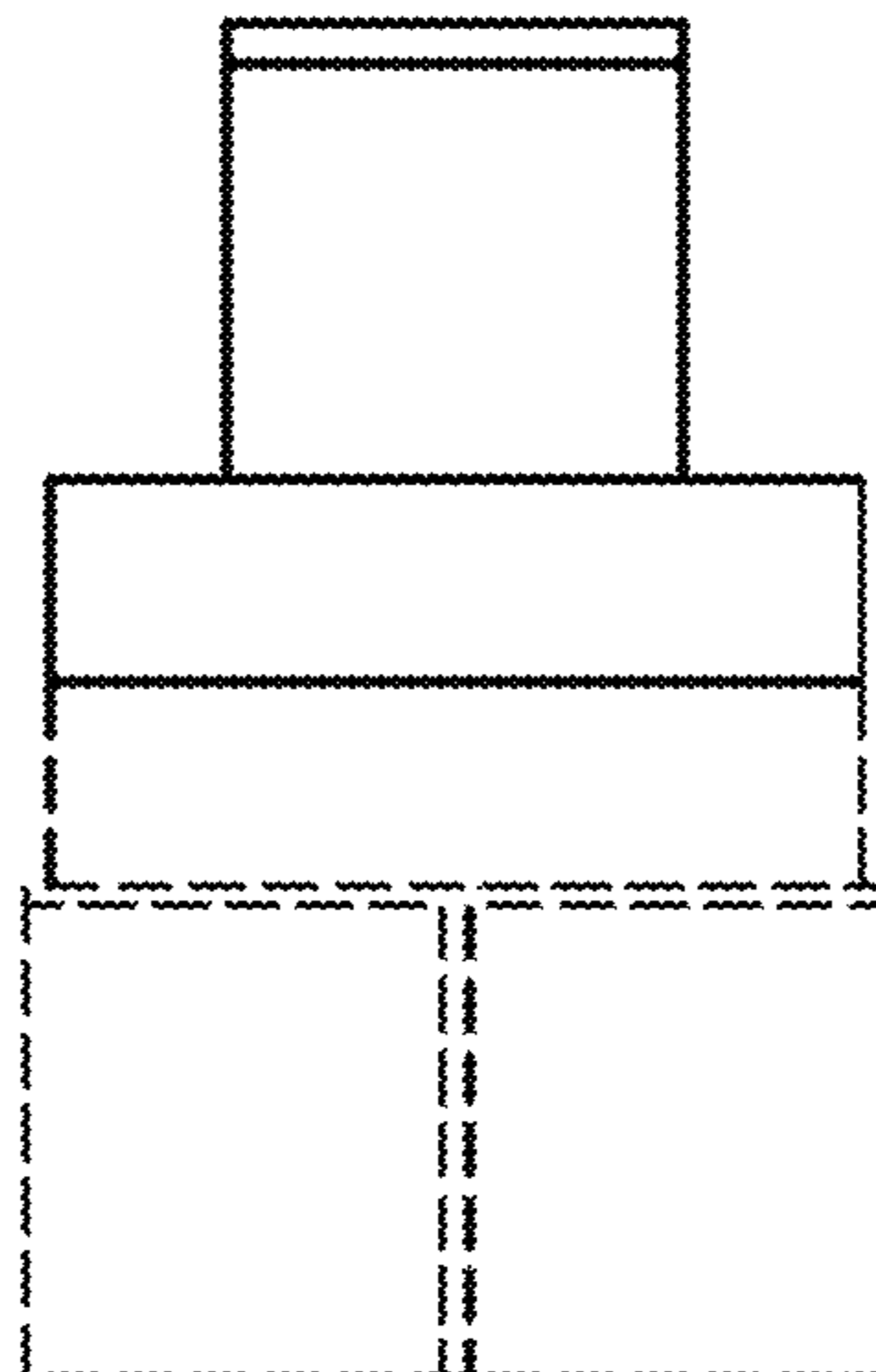


FIG. 9

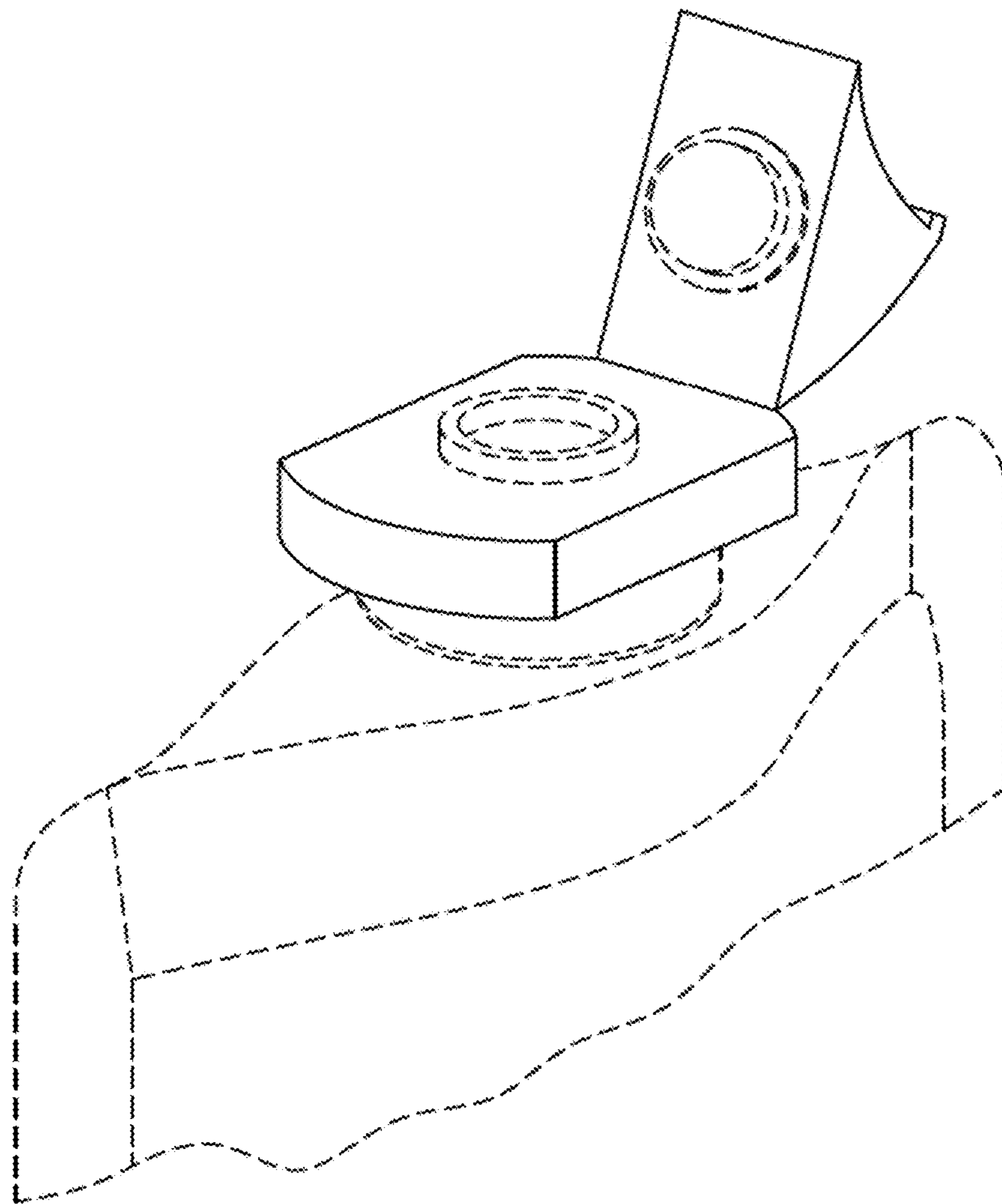


FIG. 10