



US00D816498S

(12) **United States Design Patent** (10) **Patent No.:** **US D816,498 S**  
**Fily** (45) **Date of Patent:** **\*\* May 1, 2018**

(54) **FOAM PUMP DISPENSER**

FOREIGN PATENT DOCUMENTS

(71) Applicant: **Galderma Research & Development, Biot (FR)**

DE 10108906 A1 9/2002  
EP 613728 A2 9/1994  
WO 2014017904 A1 1/2014

(72) Inventor: **Sebastien Fily, Mont Royal (CA)**

(73) Assignee: **GALDERMA RESEARCH & DEVELOPMENT, Biot (FR)**

OTHER PUBLICATIONS

(\*\*) Term: **15 Years**

aliexpress.com, 150ml PET Foam Pump Dispenser Bottle, Foaming Pump Bottle for Cosmetic, Jun. 21, 2017, [https://www.aliexpress.com/item/150ML-PET-Plastic-foaming-bottle-with-foaming-pump-for-soap-dispenser-cosmetic-skincare-packaging-24-sets/32620153448.html?spm=2114.40010708.4.42.5NbR6C.\\*](https://www.aliexpress.com/item/150ML-PET-Plastic-foaming-bottle-with-foaming-pump-for-soap-dispenser-cosmetic-skincare-packaging-24-sets/32620153448.html?spm=2114.40010708.4.42.5NbR6C.*)

(21) Appl. No.: **29/547,847**

(Continued)

(22) Filed: **Dec. 8, 2015**

(51) **LOC (11) Cl.** ..... **09-07**

*Primary Examiner* — David Muller

(52) **U.S. Cl.**

*Assistant Examiner* — Nathan Johnston

USPC ..... **D9/448**; D6/542

(74) *Attorney, Agent, or Firm* — Panitch Schwarze Belisario & Nadel LLP

(58) **Field of Classification Search**

USPC ..... D6/542-545; 221/280, 282, 283; 222/555, 557, 402, 13, 281, 181.2, 222/181.36, 397; D7/300.2, 397, 398; D9/434-436, 439, 440, 443, 447, 448, D9/449, 499, 682, 723; D24/108, 127; 220/377

CPC ..... B05B 7/0037; B05B 11/3074; B05B 11/3087; B05B 11/3067

See application file for complete search history.

(57) **CLAIM**

The ornamental design for a foam pump dispenser, as shown and described.

**DESCRIPTION**

FIG. 1 is a left front perspective view of a foam pump dispenser in accordance with my new design; FIG. 2 is an exploded view thereof; FIG. 3 is a front elevation view of the design shown in FIG. 1; FIG. 4 is a rear elevation thereof; FIG. 5 is a left side elevation view thereof, a right side elevation view being a mirror image thereof; and, FIG. 6 is a top plan view thereof. The broken lines show portions of the design that form no part of the claimed design. The bottom elevation view of the foam pump dispenser is not shown in the drawings or described in the specification and, therefore, forms no part of the claimed design.

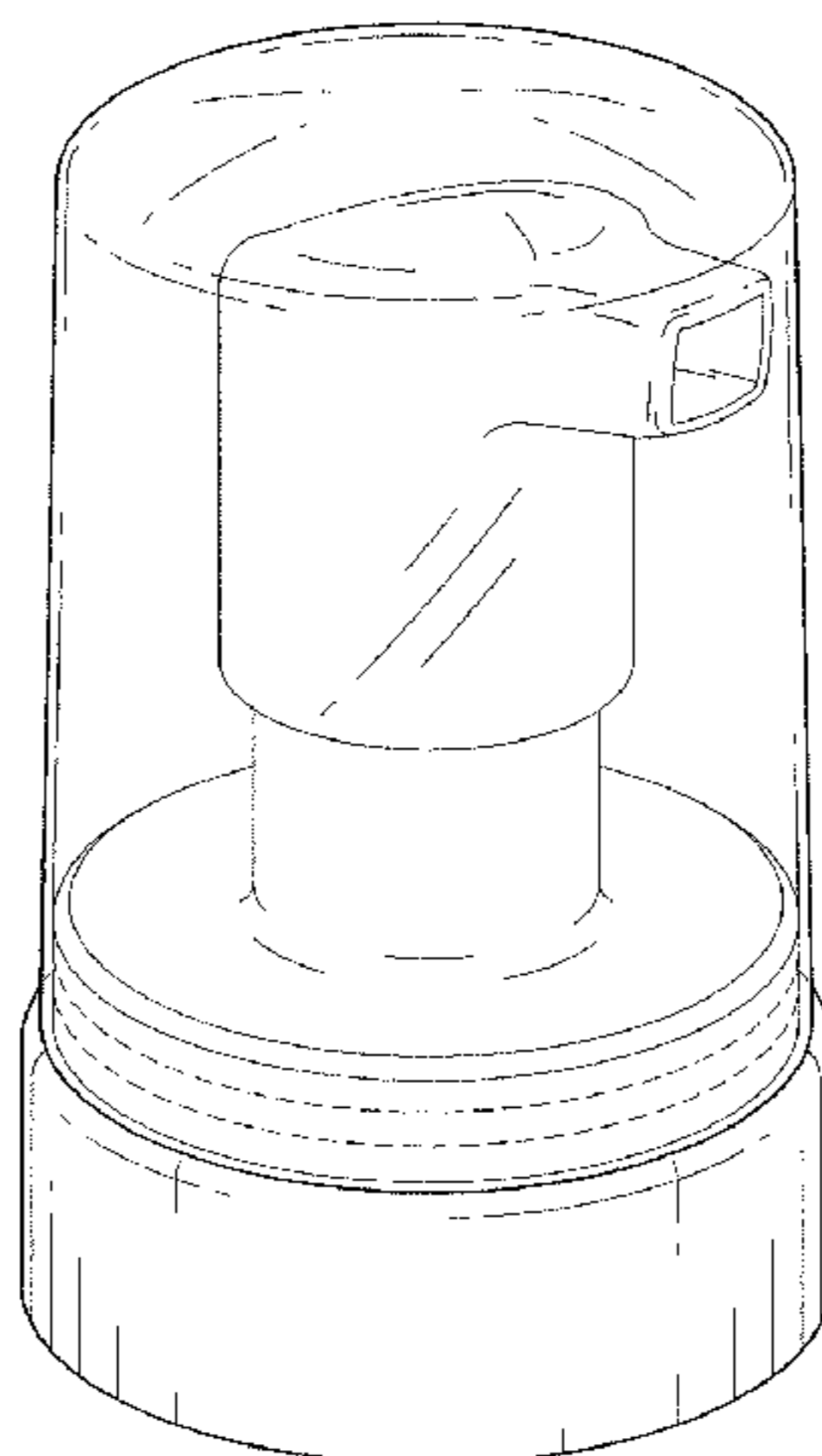
(56) **References Cited**

U.S. PATENT DOCUMENTS

D296,526 S \* 7/1988 von Schuckmann ..... D9/448  
D339,527 S \* 9/1993 Tobler ..... D9/447  
D414,697 S \* 10/1999 Sayers ..... D9/448  
D419,877 S \* 2/2000 Sayers ..... D9/448  
D441,654 S \* 5/2001 Sayers ..... D9/448  
D458,136 S \* 6/2002 Bakic ..... D9/448  
D458,137 S \* 6/2002 Bakic ..... D9/448  
D458,833 S \* 6/2002 Crawford ..... D9/550  
D485,747 S \* 1/2004 Crawford ..... D9/682  
D529,384 S \* 10/2006 van der Heijden ..... D6/542  
D536,971 S \* 2/2007 Arminak ..... D9/448  
D536,972 S \* 2/2007 van der Heijden ..... D6/542

(Continued)

**1 Claim, 6 Drawing Sheets**



(56)

**References Cited**

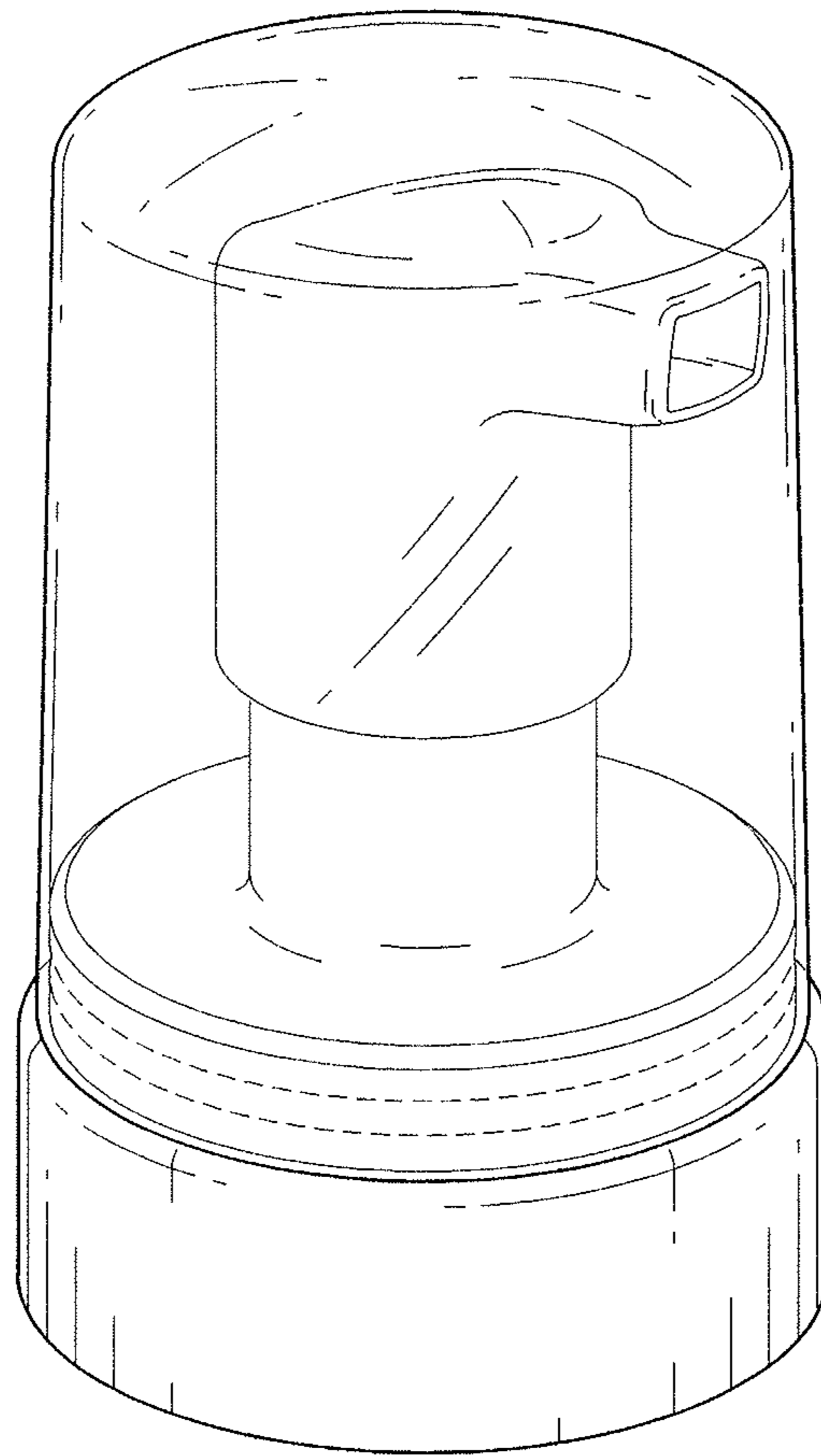
U.S. PATENT DOCUMENTS

D536,973 S \* 2/2007 van der Heijden ..... D6/542  
D539,143 S \* 3/2007 Arminak ..... D9/448  
D539,648 S \* 4/2007 Arminak ..... D9/448  
D542,148 S \* 5/2007 Boucher ..... D9/682  
D547,183 S \* 7/2007 Cornet ..... D9/448  
D547,655 S \* 7/2007 van der Heijden ..... D9/434  
D588,005 S \* 3/2009 Boes ..... D9/448  
D591,164 S \* 4/2009 Ribadeneira Mejia ..... D9/682  
D626,858 S \* 11/2010 Oates ..... D9/682  
D636,261 S \* 4/2011 Michitsuji ..... D9/448  
D642,916 S \* 8/2011 Handy ..... D9/448  
8,056,767 B2 11/2011 Mizushima et al.  
D667,726 S \* 9/2012 Bloc ..... D9/448  
8,430,274 B2 4/2013 van der Heijden et al.  
D681,475 S \* 5/2013 Park ..... D9/682  
D730,733 S \* 6/2015 O'Donahue ..... D9/448  
2009/0020552 A1 1/2009 van der Heijden  
2015/0144661 A1 5/2015 Tepas et al.

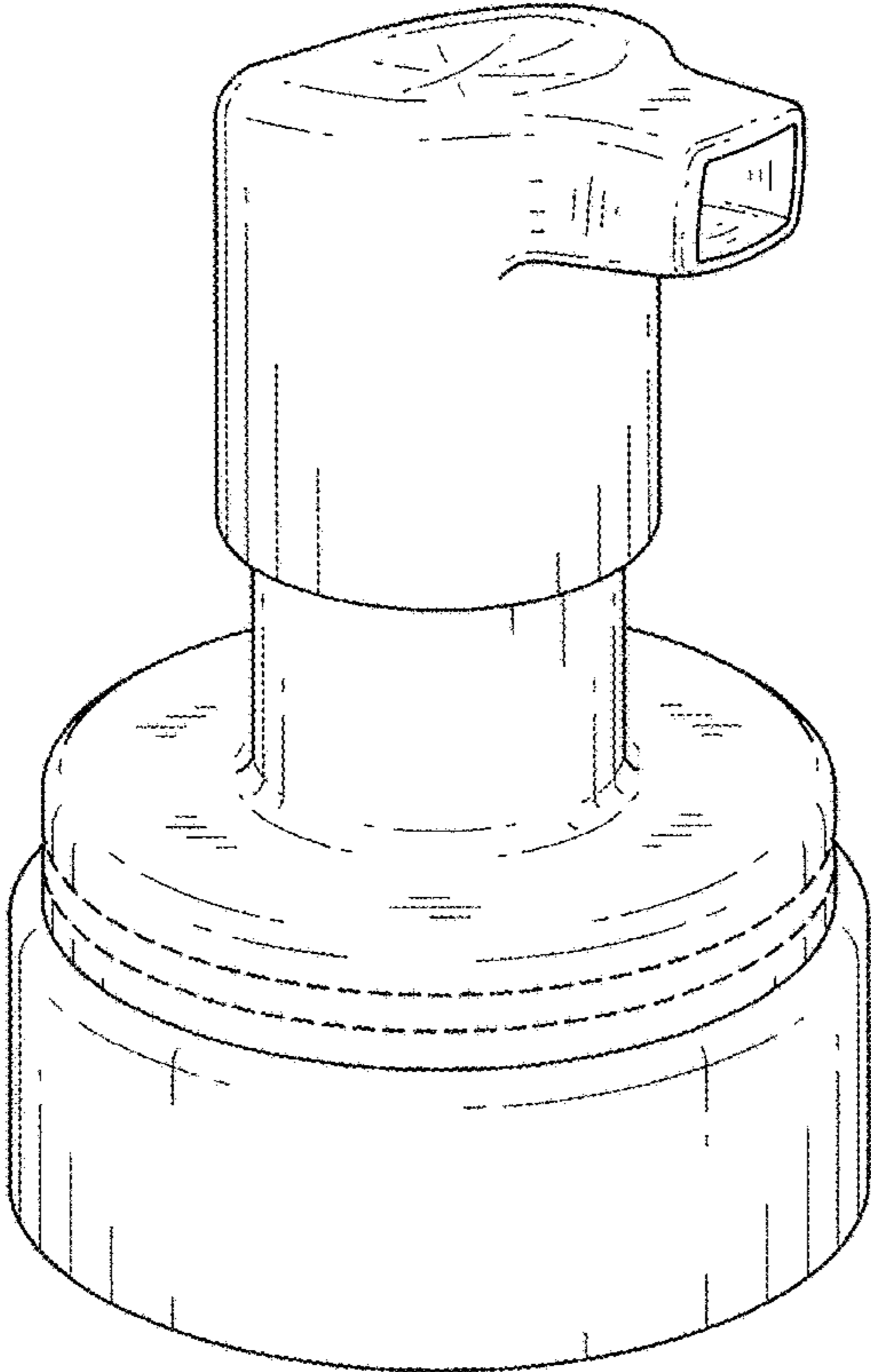
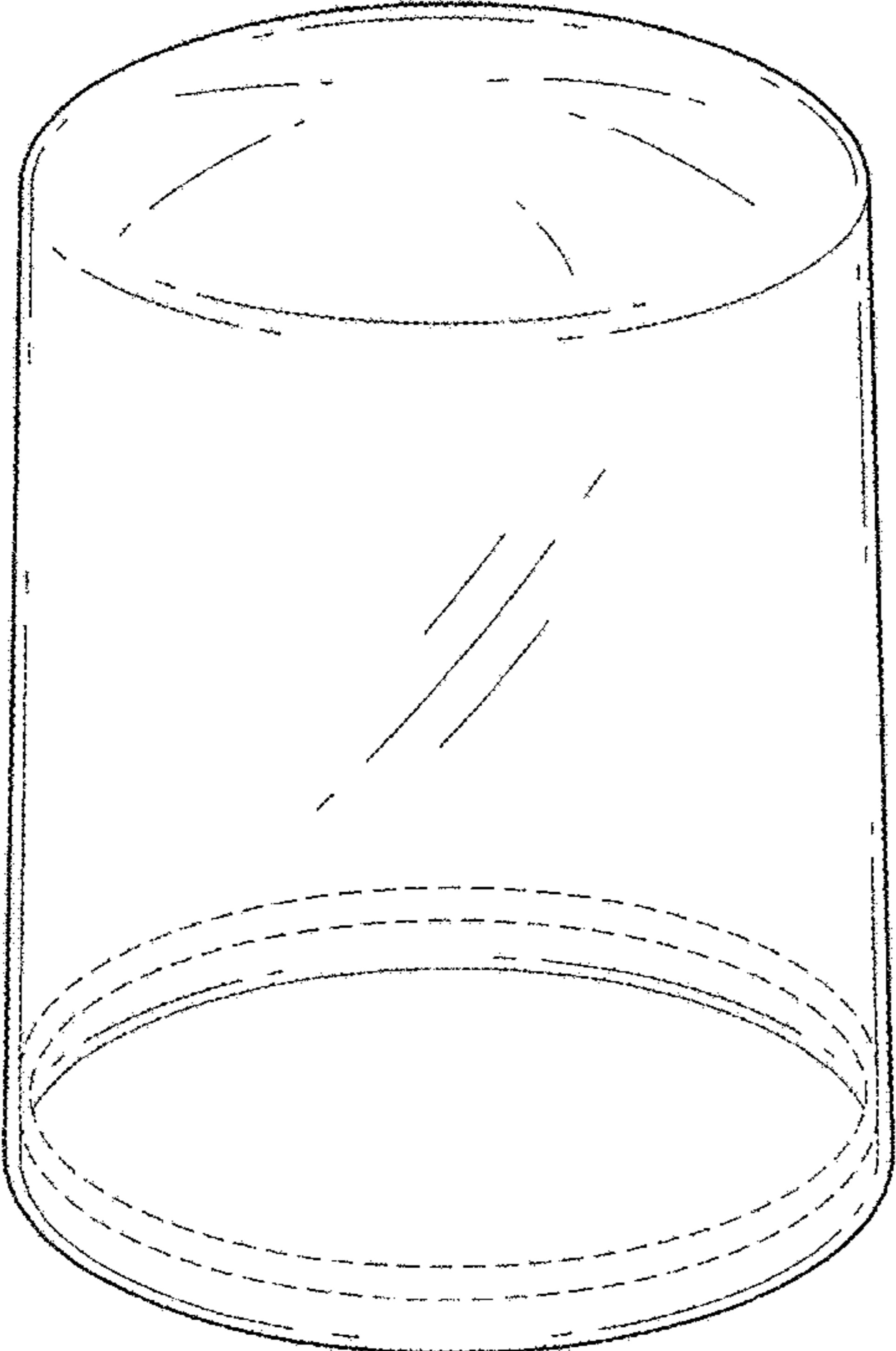
OTHER PUBLICATIONS

Office Action dated Oct. 14, 2016 in CA Application No. 168868.

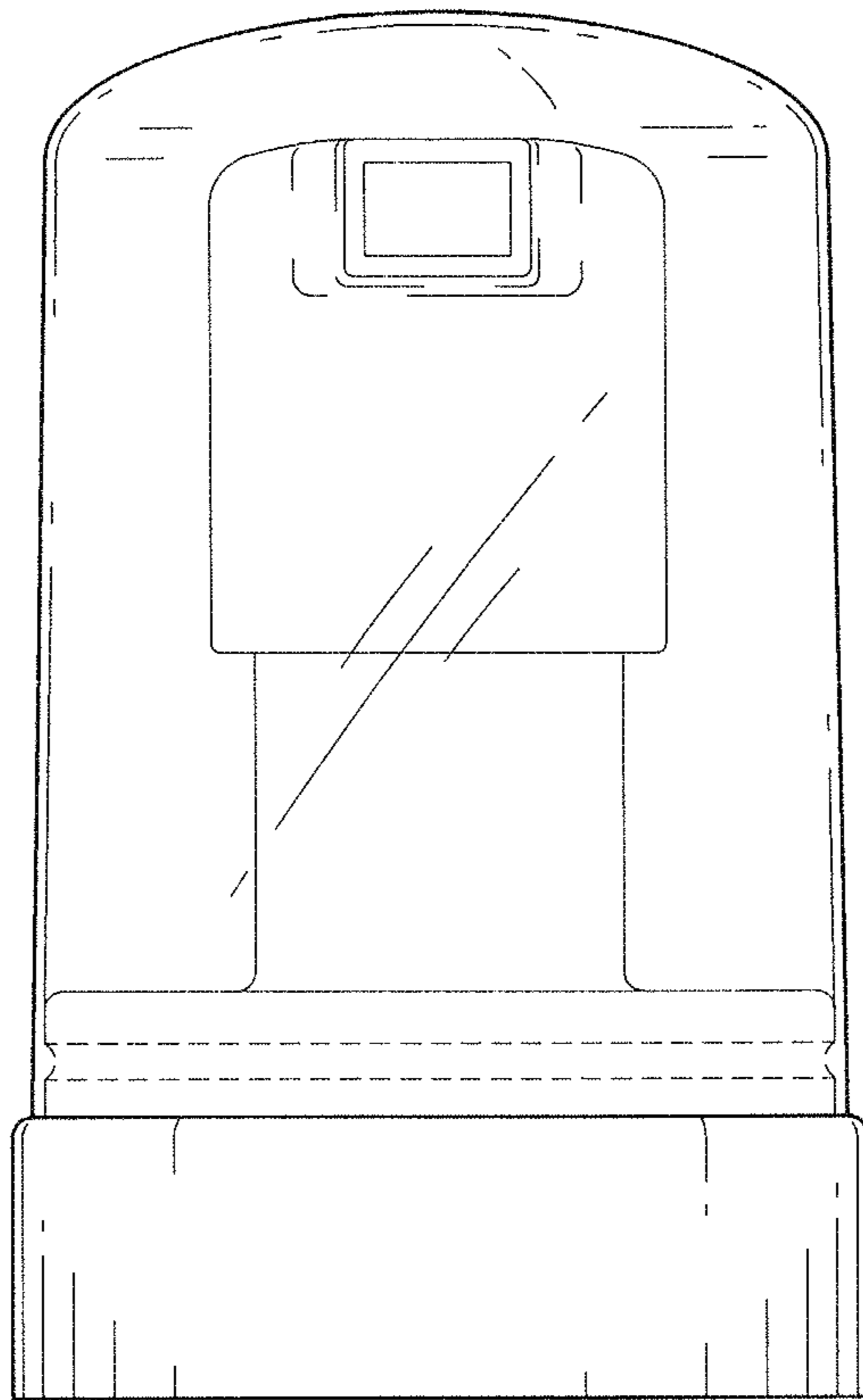
\* cited by examiner



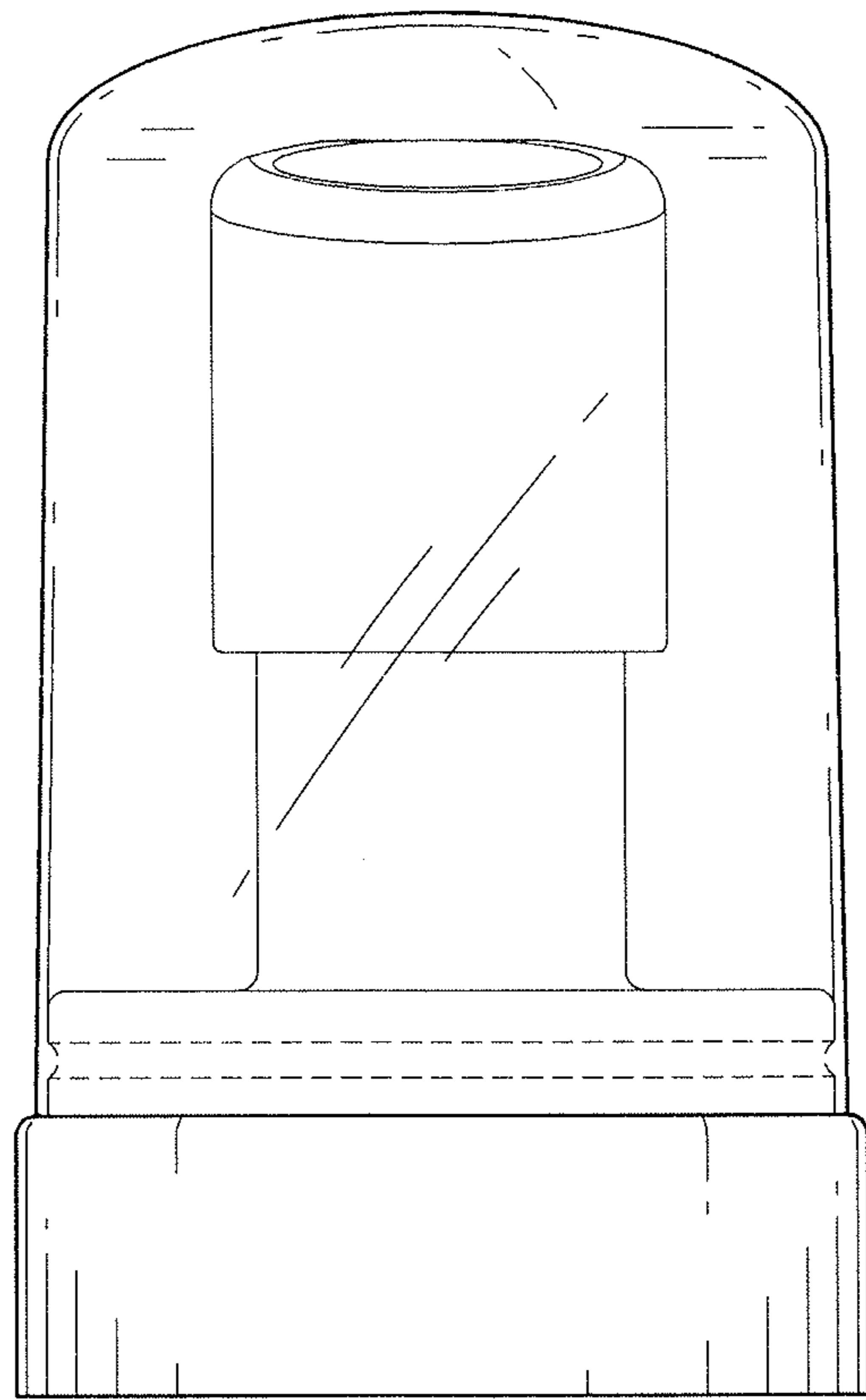
*Fig. 1*



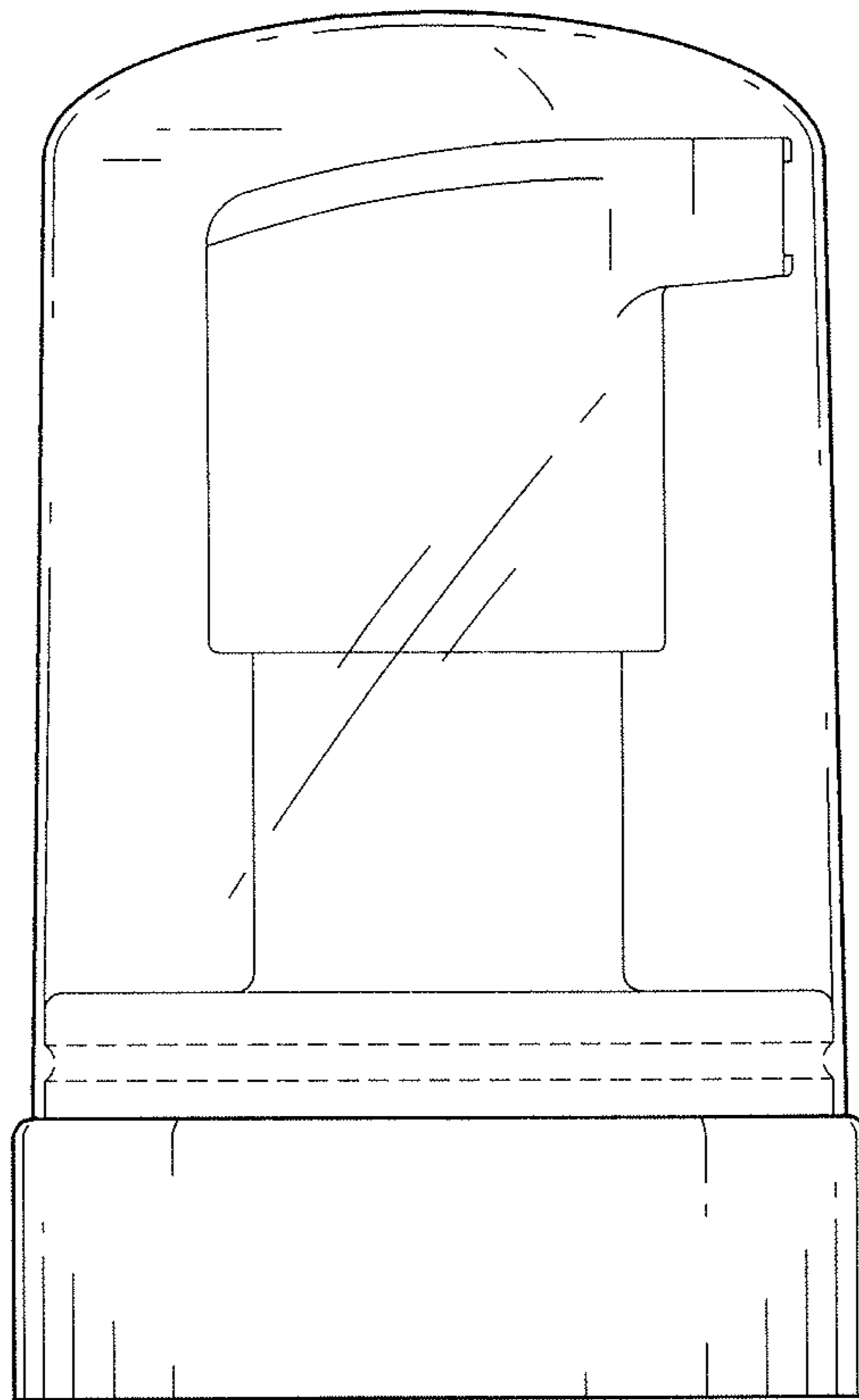
*Fig. 2*



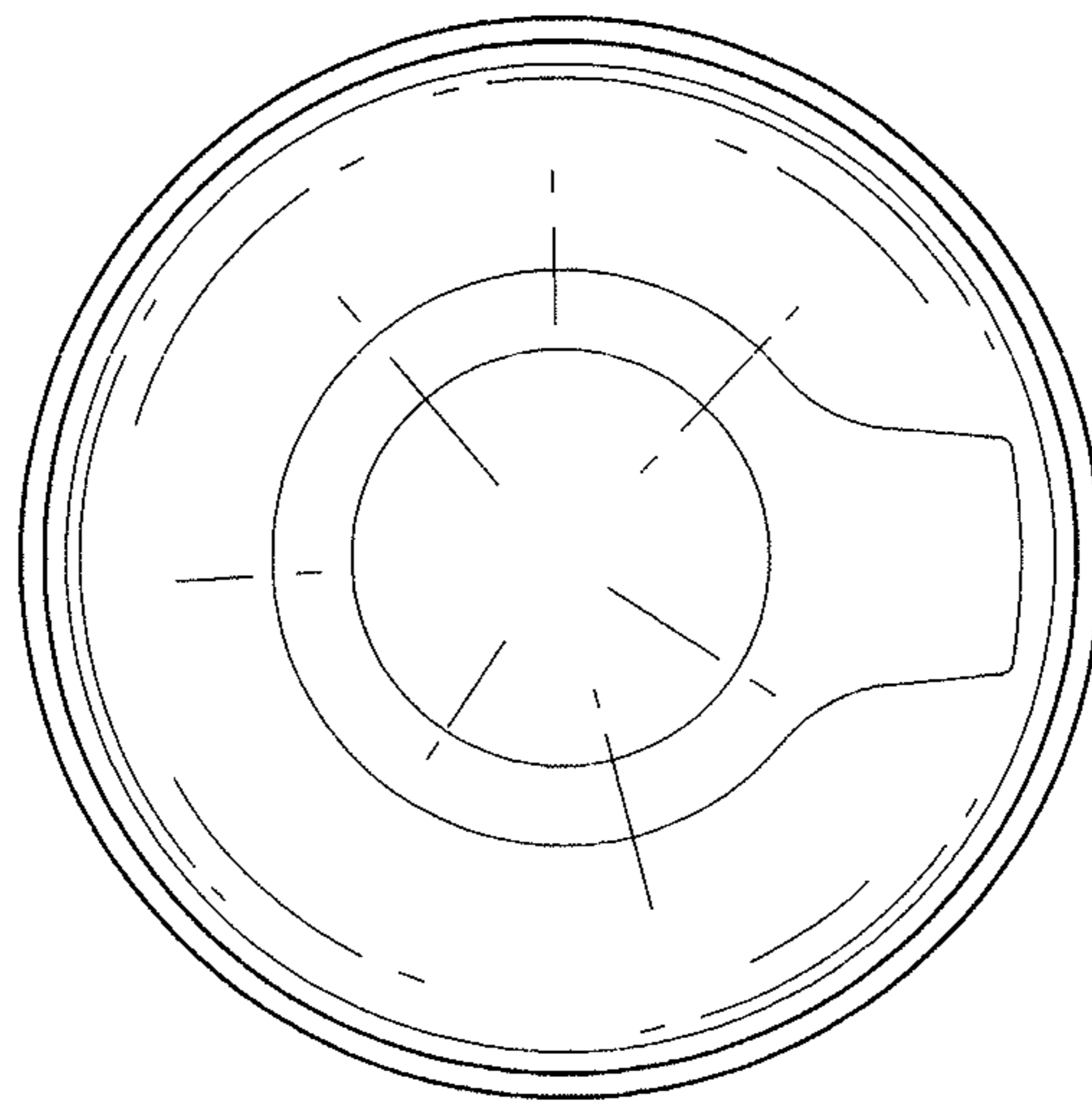
*Fig. 3*



*Fig. 4*



*Fig. 5*



***Fig. 6***