



US00D816497S

(12) **United States Design Patent** (10) **Patent No.:** **US D816,497 S**  
**Bramwell et al.** (45) **Date of Patent:** **\*\* May 1, 2018**

(54) **PACKAGE ACTUATOR**

- (71) Applicant: **Johnson & Johnson Consumer Inc.**, Skillman, NJ (US)
- (72) Inventors: **Stephen Bramwell**, Elk Ridge, UT (US); **Jennifer E. Dahl**, New York, NY (US); **Stephen J. Mohary**, Pennington, NJ (US); **Timothy O'Toole**, Jersey City, NJ (US); **Richard Tanaka**, Astoria, NY (US)
- (73) Assignee: **Johnson & Johnson Consumer Inc.**, Skillman, NJ (US)

(\*\*) Term: **15 Years**

(21) Appl. No.: **29/547,379**

(22) Filed: **Dec. 3, 2015**

**Related U.S. Application Data**

(63) Continuation-in-part of application No. 29/495,110, filed on Jun. 27, 2014, now Pat. No. Des. 755,046.

(51) **LOC (11) Cl.** ..... **09-07**

(52) **U.S. Cl.**  
USPC ..... **D9/448**

(58) **Field of Classification Search**  
USPC .... D3/201, 202, 203.1; D7/312, 313, 392.1, D7/397, 398; D9/417, 434, 435, 443, D9/447, 448, 682, 685, 686, 690; D15/7, D15/9, 9.1; D23/200, 206, 211.1, 213, D23/223, 226, 229, 231; D29/125, 126, D29/129  
CPC ..... A45D 34/00; A45D 34/042; A45D 40/22; A45D 2040/0006; A45D 2040/0093; B05B 11/3005; B05B 11/3052; B05B 11/3056;

(Continued)

(56) **References Cited**

U.S. PATENT DOCUMENTS

3,516,424 A 6/1970 Eagle  
3,987,942 A 10/1976 Morane et al.  
(Continued)

FOREIGN PATENT DOCUMENTS

DE 2519108 A 1/1976  
DE 3402406 C 3/1988  
(Continued)

OTHER PUBLICATIONS

Syrup Dispenser; Announced May 14, 2013 [online], site visited [Sep. 29, 2015]. Available from Internet URL: <http://www.displays2go.com/P-21047/Syrup-Dispenser-with-Glass-and-Metal-Construction>.

(Continued)

*Primary Examiner* — Thomas Johannes  
*Assistant Examiner* — Catherine S Posthauer

(57) **CLAIM**

We claim the ornamental design for a package actuator, as shown and described.

**DESCRIPTION**

FIG. 1 is a rear perspective view of a package actuator of the present invention.  
FIG. 2 is a front view of the package actuator depicted in FIG. 1.  
FIG. 3 is a left side view of the package actuator depicted in FIG. 1, the right side being a mirror image  
FIG. 4 is a rear view of the package actuator depicted in FIG. 1.  
FIG. 5 is a top view of the package actuator depicted in FIG. 1; and,

(Continued)

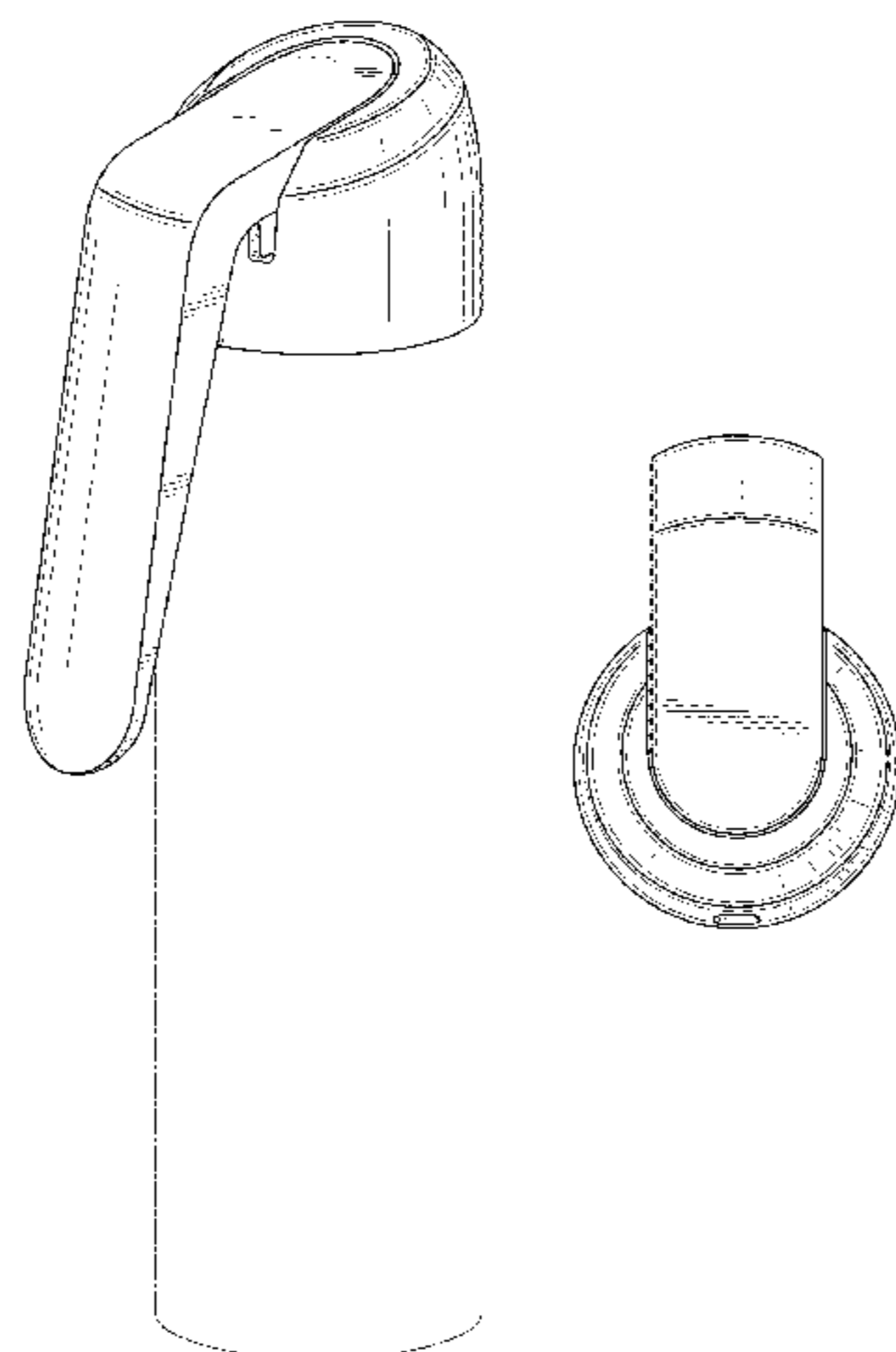


FIG. 6 is a bottom view of the package actuator depicted in FIG. 1.

The broken lines are shown for the purpose of illustrating environmental subject matter and parts of the article that form no part of the claim.

**1 Claim, 5 Drawing Sheets**

**(58) Field of Classification Search**

CPC ..... B05B 11/3057; B05B 12/00; B05B 3/00;  
 B05B 7/00; B05B 15/002; A62C 31/02;  
 B65D 1/02; B65D 1/0223; B65D 1/08;  
 B65D 1/10; B65D 23/00; B65D 23/08;  
 B65D 25/42; B65D 25/46; B65D 25/48;  
 B65D 25/77; B65D 39/00; B65D  
 39/0047; B65D 41/00; B65D 43/02;  
 B65D 51/02; B65D 51/04

See application file for complete search history.

**(56) References Cited**

**U.S. PATENT DOCUMENTS**

4,077,549 A 3/1978 Beard  
 4,132,359 A 1/1979 Nozawa  
 4,157,774 A 6/1979 Micallef  
 4,264,038 A 4/1981 Nozawa  
 4,456,135 A \* 6/1984 Beekes ..... B65D 23/106  
 215/396  
 4,669,631 A \* 6/1987 Zimmermann ..... A47G 19/12  
 220/836  
 D320,350 S \* 10/1991 Fabiano ..... D9/434  
 5,398,837 A \* 3/1995 Degrassi ..... B65D 51/04  
 215/306  
 5,413,257 A \* 5/1995 Amberger ..... B44D 3/08  
 222/472  
 5,586,822 A \* 12/1996 Krzywdziak ..... B44D 3/08  
 366/247  
 5,609,277 A \* 3/1997 McDonald ..... A45F 5/02  
 220/903  
 6,276,560 B1 \* 8/2001 Belcastro ..... A47G 19/2266  
 220/709  
 6,705,494 B2 3/2004 Thompson et al.  
 D489,970 S \* 5/2004 Nelson ..... D9/688

D504,278 S \* 4/2005 Tardif ..... D7/401.1  
 D511,684 S 11/2005 Guyot  
 D515,920 S 2/2006 Groh et al.  
 D524,640 S 7/2006 Paas et al.  
 D536,969 S \* 2/2007 Geier ..... D9/448  
 D536,970 S \* 2/2007 Shannan ..... D9/448  
 D538,650 S 3/2007 Paas et al.  
 D580,273 S 11/2008 Stinesen et al.  
 D582,272 S \* 12/2008 Cichy ..... D9/448  
 D595,575 S \* 7/2009 Cichy ..... D9/448  
 D598,746 S \* 8/2009 Caldwell ..... D9/435  
 D598,747 S \* 8/2009 Caldwell ..... D9/435  
 7,891,529 B2 2/2011 Paas et al.  
 D638,117 S 5/2011 Eckstein et al.  
 D658,938 S \* 5/2012 Melms, Jr. .... D7/401.1  
 D659,533 S 5/2012 Taylor et al.  
 D672,240 S 12/2012 Baranowski et al.  
 D674,695 S 1/2013 Thurin et al.  
 D676,760 S 2/2013 Baranowski et al.  
 8,453,875 B2 6/2013 Neuhaus  
 D688,562 S 8/2013 Baranowski et al.  
 D710,697 S 8/2014 Lind  
 D718,624 S \* 12/2014 Hanson ..... D9/448  
 D735,035 S \* 7/2015 Lane ..... D9/447  
 D746,135 S \* 12/2015 Lind ..... D9/448  
 D755,046 S \* 5/2016 Bramwell ..... D9/434  
 D775,904 S \* 1/2017 Ruthe-Steinsiek ..... D7/619.1  
 2006/0138176 A1 \* 6/2006 Lasserre ..... B05B 11/3057  
 222/321.8  
 2010/0084434 A1 4/2010 Rhoades  
 2016/0167074 A1 \* 6/2016 Beckerman ..... A47K 5/18  
 222/192

**FOREIGN PATENT DOCUMENTS**

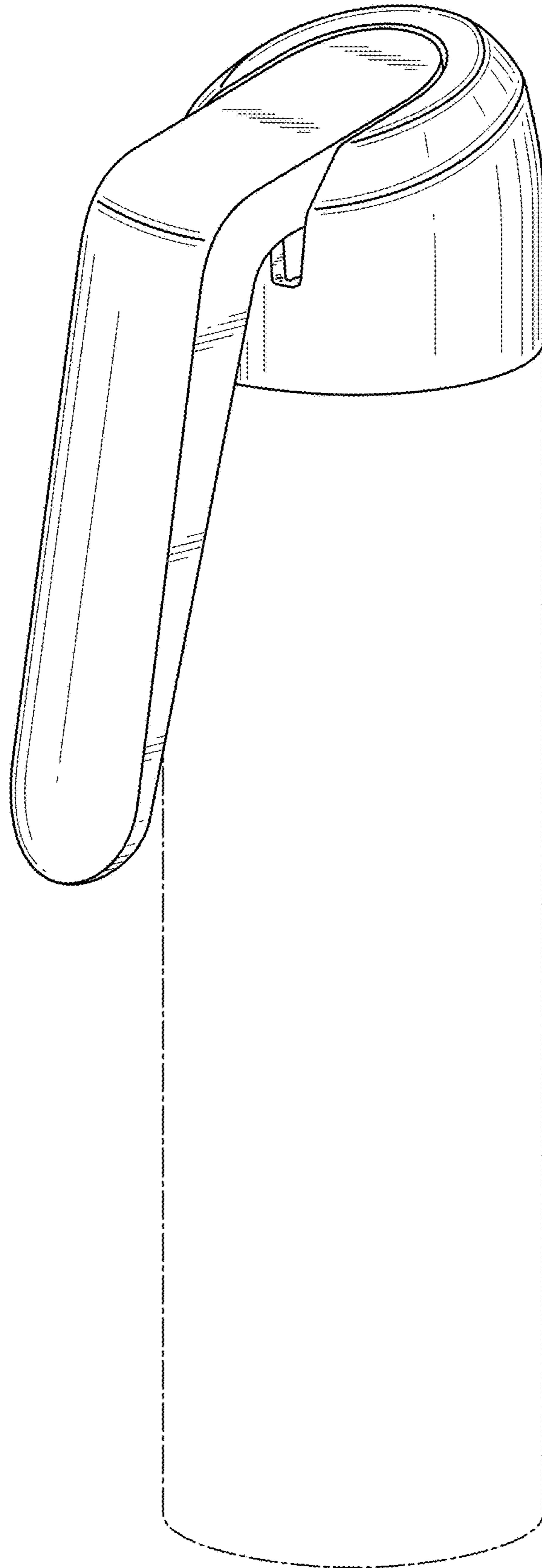
DE 102009018528 A 11/2010  
 EP 321991 A 6/1989  
 FR 2403596 A 4/1979  
 WO WO 2014/018498 A 1/2014

**OTHER PUBLICATIONS**

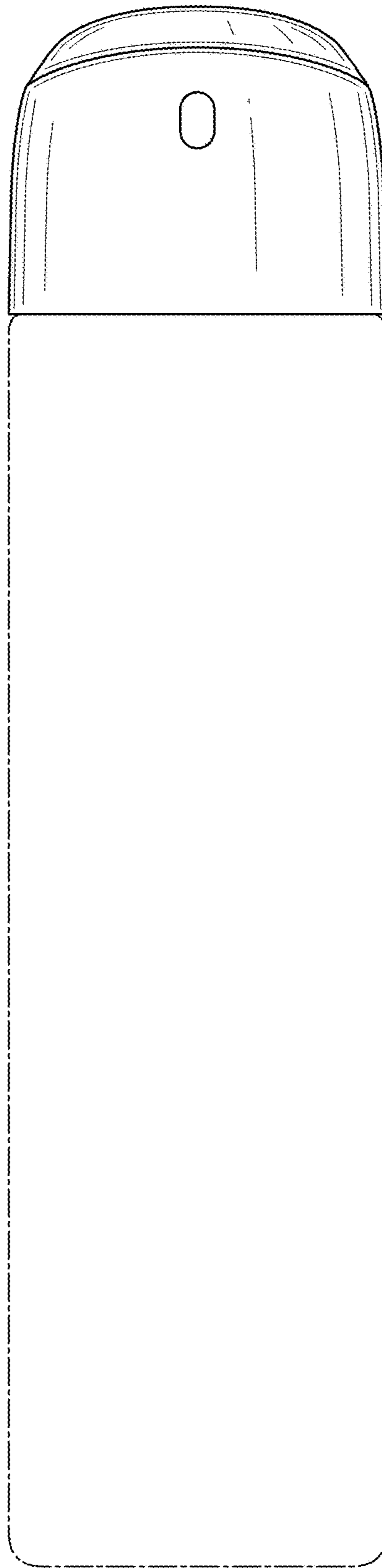
Sabre Red Home Defense Pepper Spray Fogger; Announced Oct. 18, 2012 [online], site visited [Sep. 29, 2015]. Available from Internet URL: <http://blog.safetygirl.com/2012/10/18/pepper-foggers/>.

\* cited by examiner

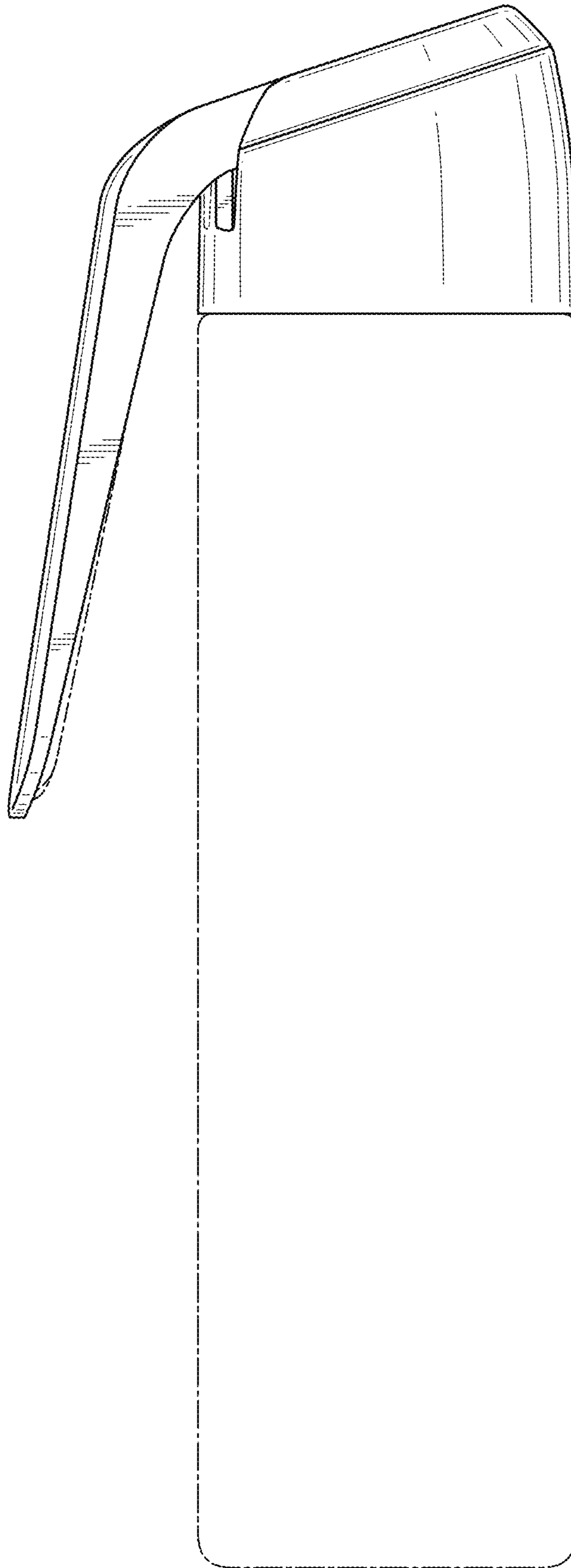
**FIG. 1**



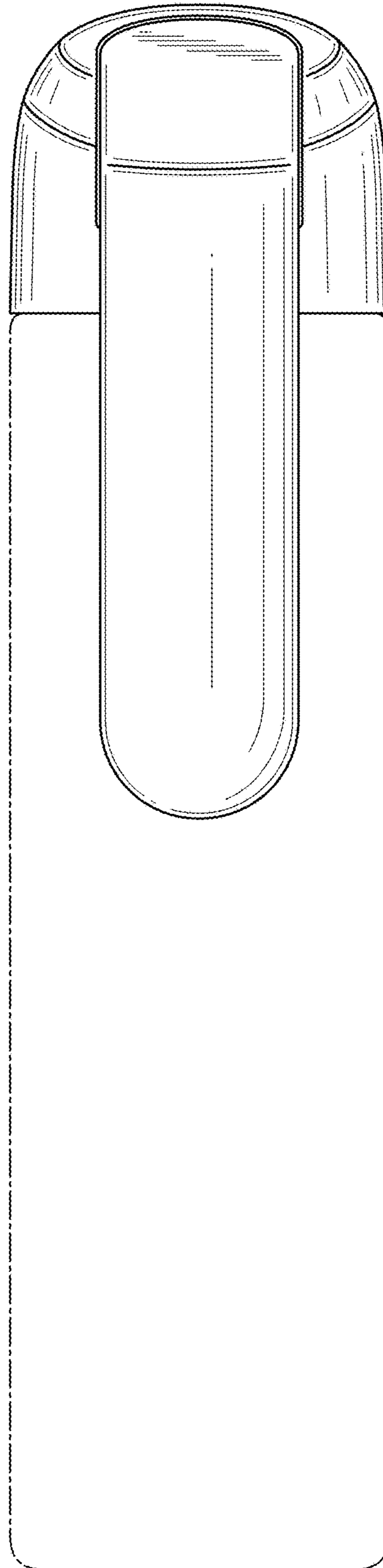
**FIG. 2**



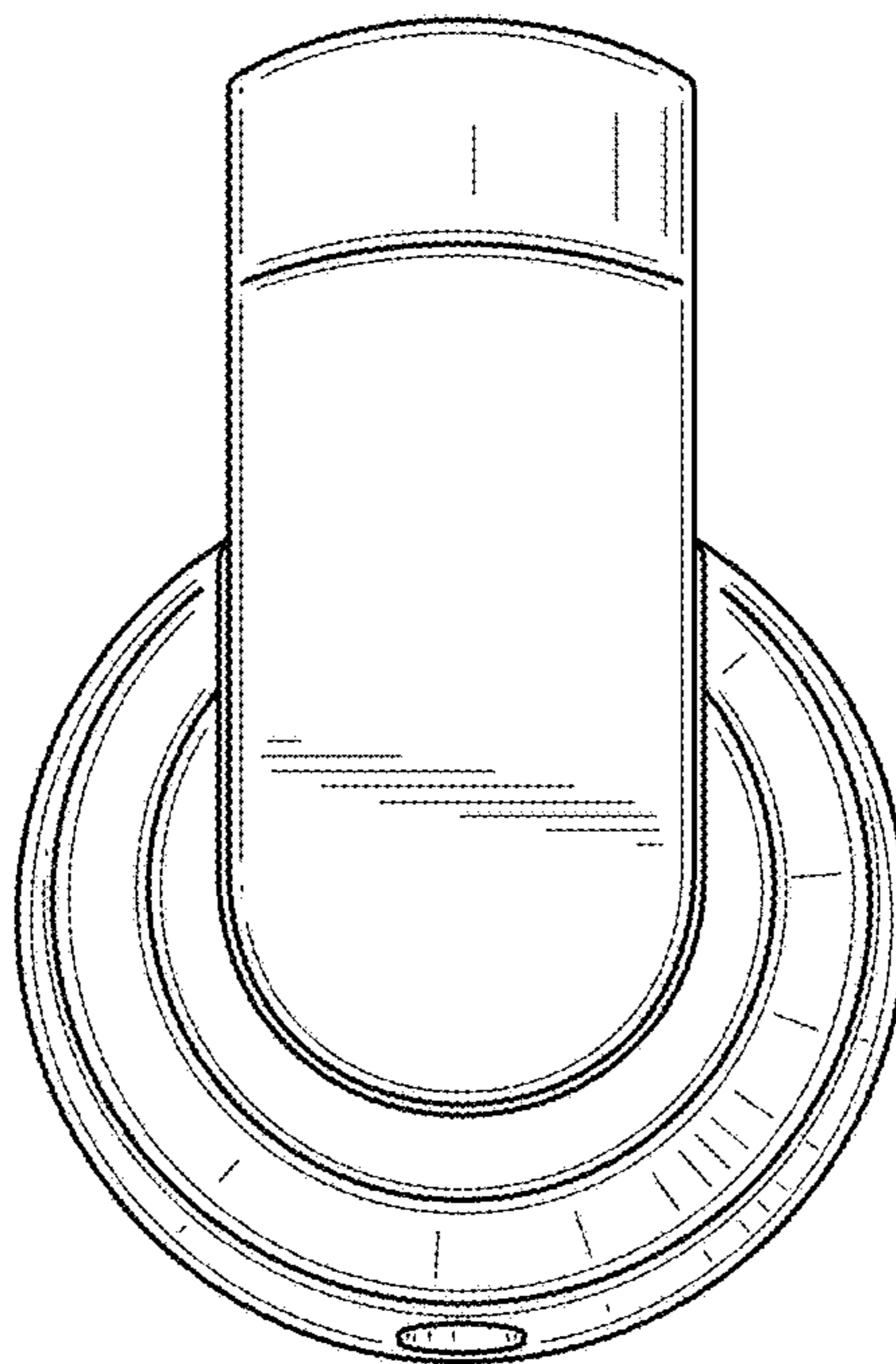
**FIG. 3**



**FIG. 4**



**FIG. 5**



**FIG. 6**

