



US00D816495S

(12) **United States Design Patent**  
**Chou**

(10) **Patent No.:** **US D816,495 S**

(45) **Date of Patent:** **\*\* May 1, 2018**

(54) **CUP LID**

(71) Applicant: **Shin-Jai Chou**, New Taipei (TW)

(72) Inventor: **Shin-Jai Chou**, New Taipei (TW)

(\*\*) Term: **15 Years**

(21) Appl. No.: **29/580,303**

(22) Filed: **Oct. 7, 2016**

(51) **LOC (11) Cl.** ..... **09-07**

(52) **U.S. Cl.**  
USPC ..... **D9/447**

(58) **Field of Classification Search**  
USPC ..... D7/316, 392, 392.1, 396.2, 397, 510,  
D7/533; D9/434-436, 438, 439, 440,  
D9/443, 444, 447-450, 452-454, 499,  
D9/549, 715, 717-719; D23/260, 269,  
D23/390  
CPC ..... B65D 2543/00046  
See application file for complete search history.

(56) **References Cited**

**U.S. PATENT DOCUMENTS**

D369,109 S *	4/1996	Proshan	.....	D7/392.1
D476,891 S *	7/2003	Clarke	.....	D9/447
D485,758 S *	1/2004	Clarke	.....	D9/447
D493,718 S *	8/2004	Durdon	.....	D9/435
D527,222 S *	8/2006	Liu	.....	D7/510
D540,673 S *	4/2007	Hollis	.....	D9/435
D570,686 S *	6/2008	Hollis	.....	D9/447
D614,954 S *	5/2010	Crowell	.....	D9/447
7,819,271 B2 *	10/2010	Hollis	.....	B65D 43/0212 220/254.3
7,992,741 B2 *	8/2011	Hundley	.....	B65D 43/0212 220/253
D655,162 S *	3/2012	Daniel	.....	D9/445
D695,612 S *	12/2013	Chou	.....	D9/447
D696,940 S *	1/2014	Hale	.....	D9/447
D703,044 S *	4/2014	Chou	.....	D9/435
D721,584 S *	1/2015	Koennecke	.....	D9/447

D722,873 S *	2/2015	Wu	.....	D9/447
D761,649 S *	7/2016	Buck	.....	D9/447
2006/0226148 A1 *	10/2006	Hundley	.....	B65D 43/0212 220/254.3
2008/0245792 A1 *	10/2008	Chou	.....	B65D 47/0847 220/254.3
2009/0223961 A1 *	9/2009	Wang	.....	B65D 43/0212 220/281
2010/0163558 A1 *	7/2010	Karam	.....	B65D 21/0222 220/200

**OTHER PUBLICATIONS**

CoffeTable. Coffee Mug Lids. Apr. 27, 2017 [earliest online date], [site visited Jul. 31, 2017]. Available from Internet, <URL:http://coffeetable.zupacraft.net/coffee-mug-lids/>.\*

\* cited by examiner

*Primary Examiner* — Robert M. Spear  
*Assistant Examiner* — Darcey E Heflin  
(74) *Attorney, Agent, or Firm* — Rosenberg, Klein & Lee

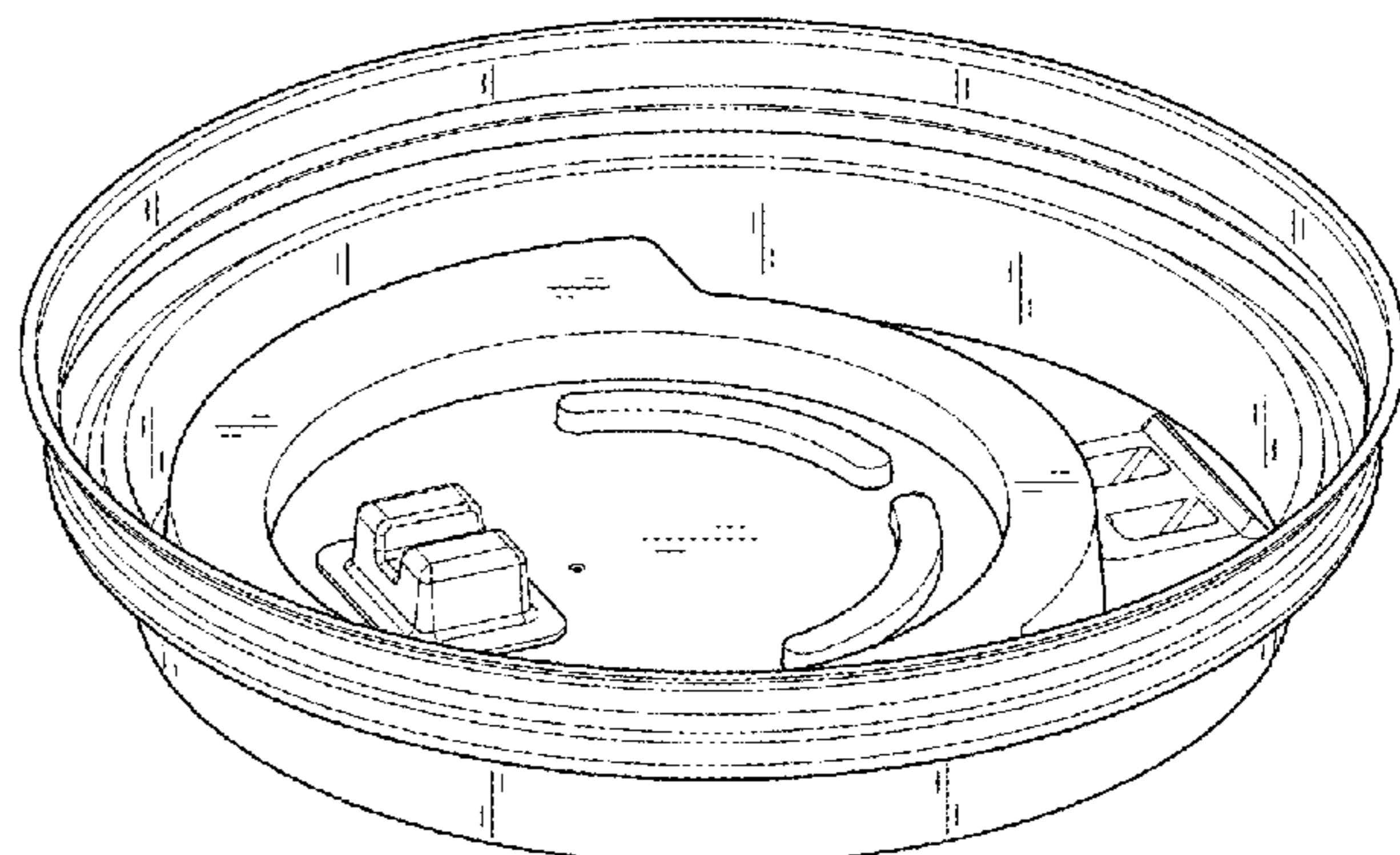
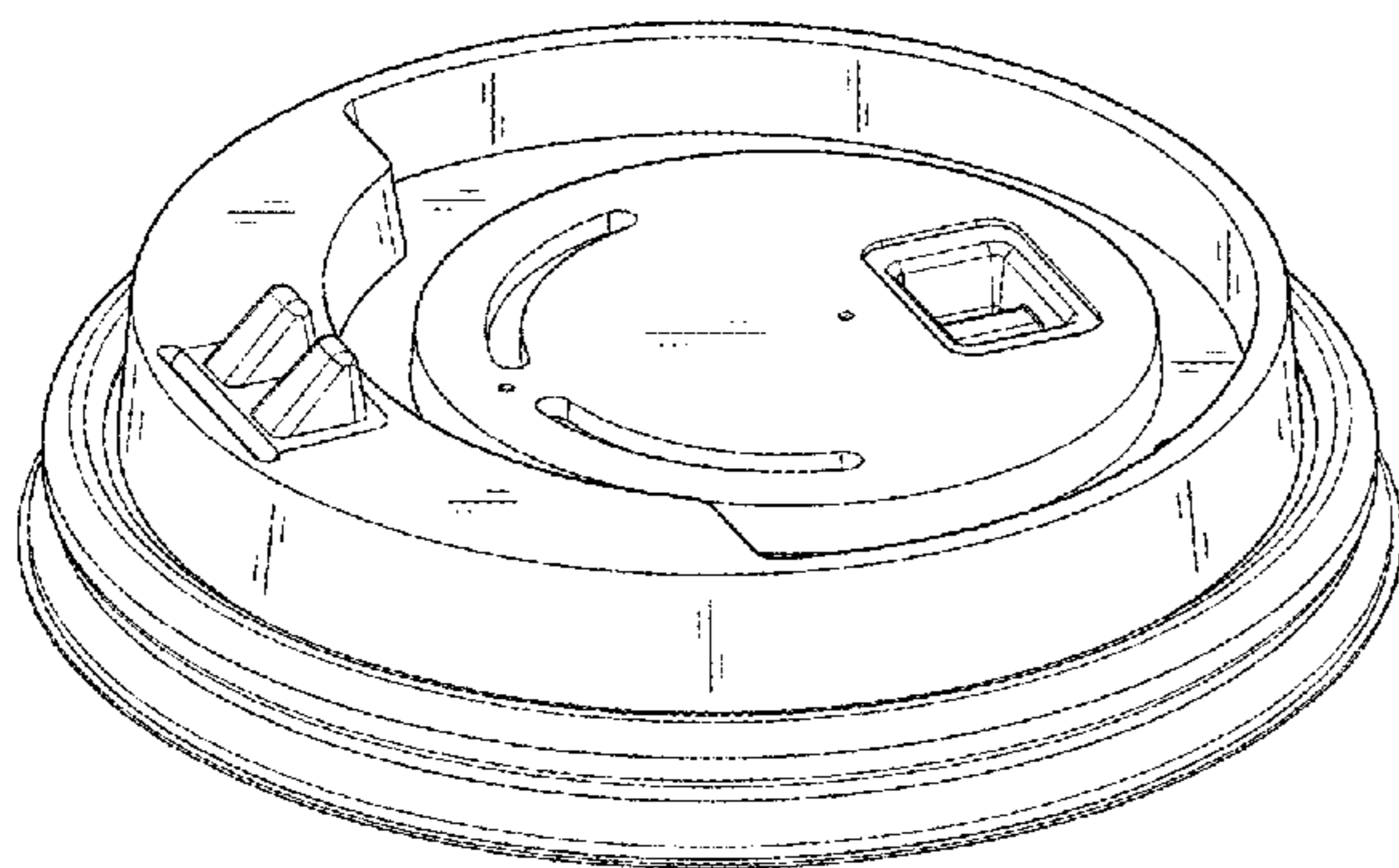
(57) **CLAIM**

The ornamental design for a cup lid, as shown and described.

**DESCRIPTION**

FIG. 1 is a perspective view of a cup lid showing my new design;  
FIG. 2 is a perspective view thereof in an inverted position;  
FIG. 3 is a front elevation view thereof; the rear elevation view being identical;  
FIG. 4 is a right side elevation view thereof; the left side elevation view being a mirror image;  
FIG. 5 is a top plan view thereof;  
FIG. 6 is a bottom plan view thereof;  
FIG. 7 is an enlarged sectional view along line 7-7 in FIG. 5; and,  
FIG. 8 is an enlarged sectional view along line 8-8 in FIG. 5.

**1 Claim, 5 Drawing Sheets**



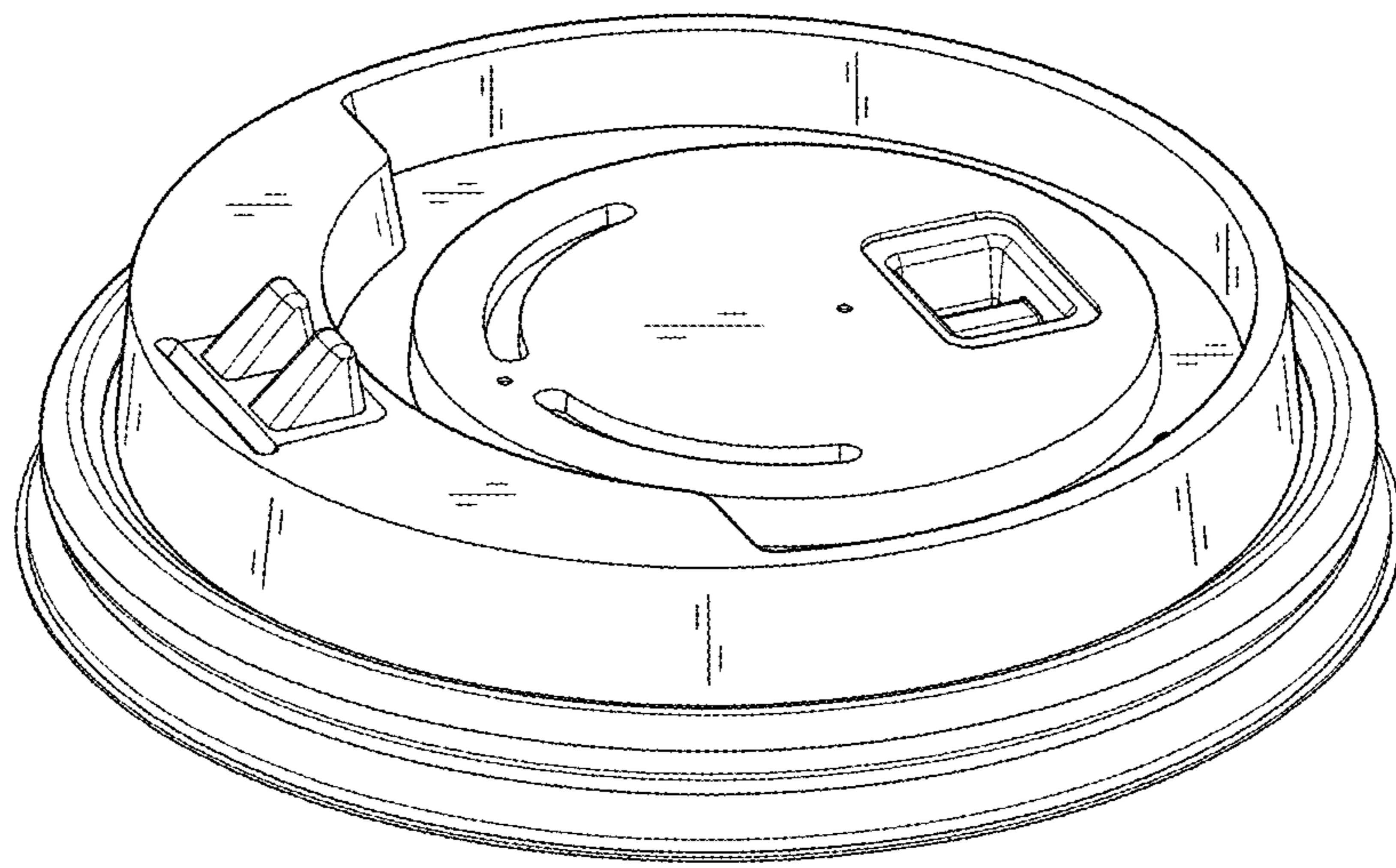


FIG.1

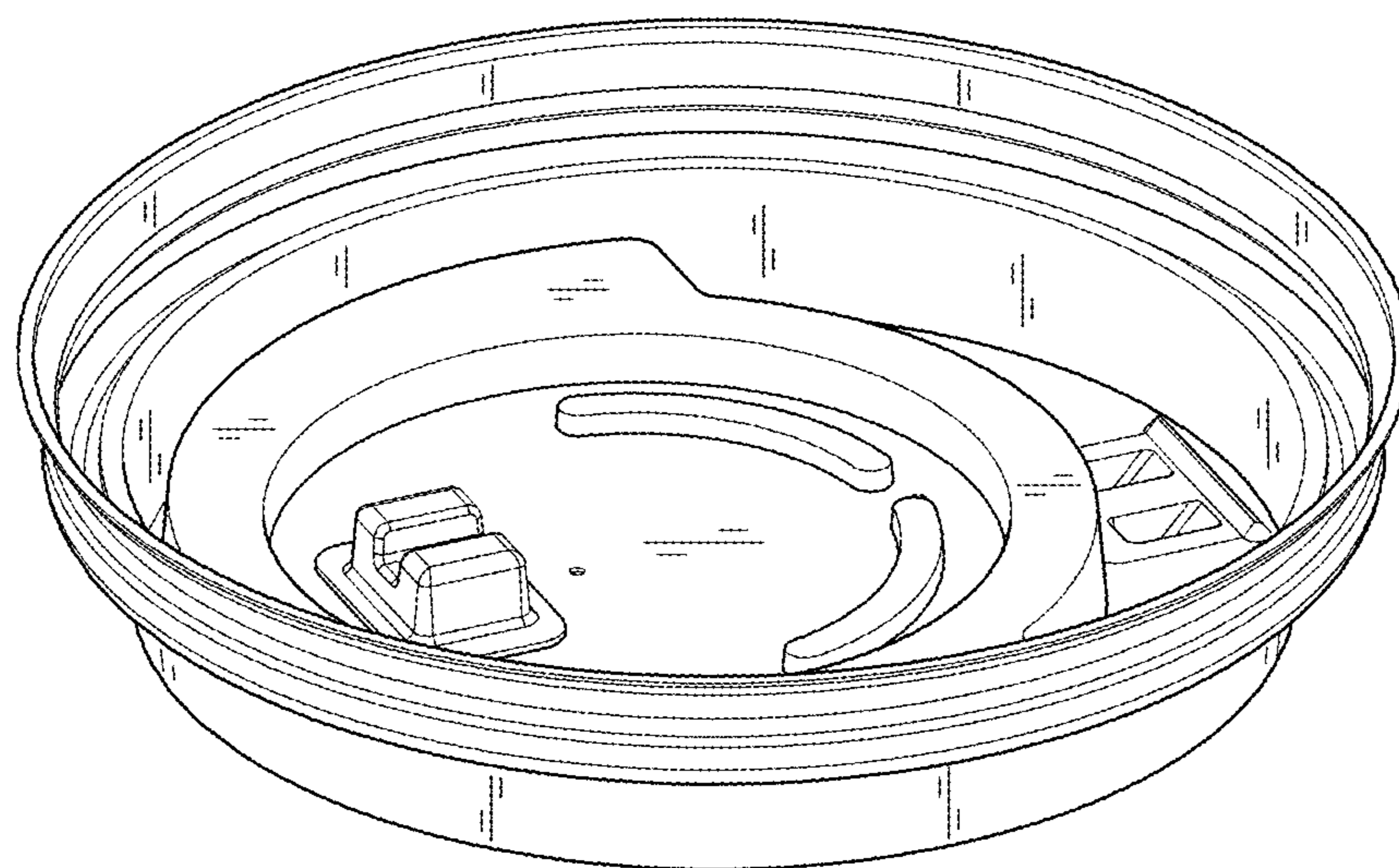


FIG.2

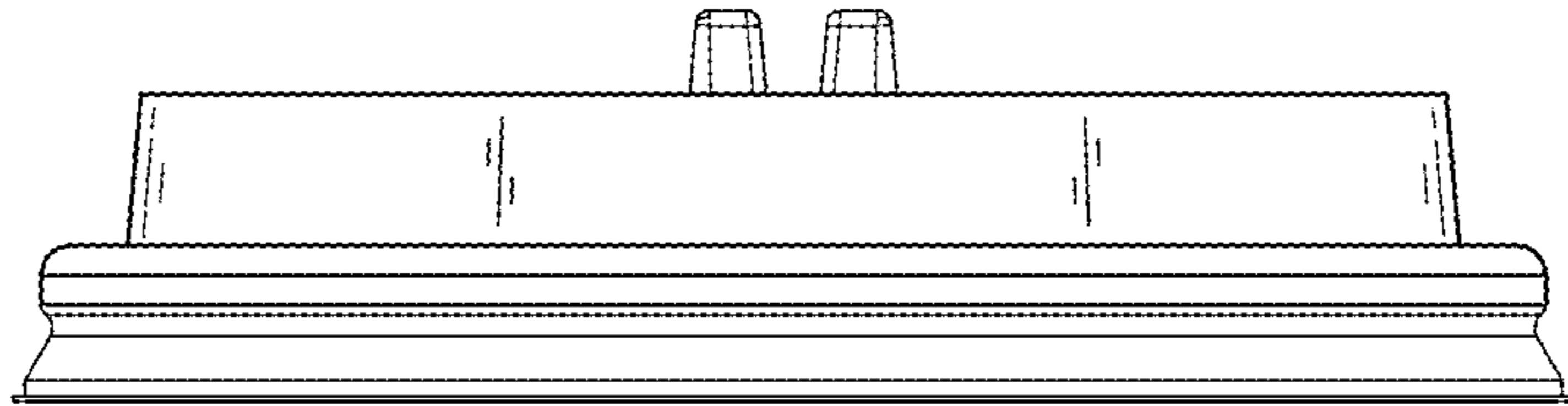


FIG.3

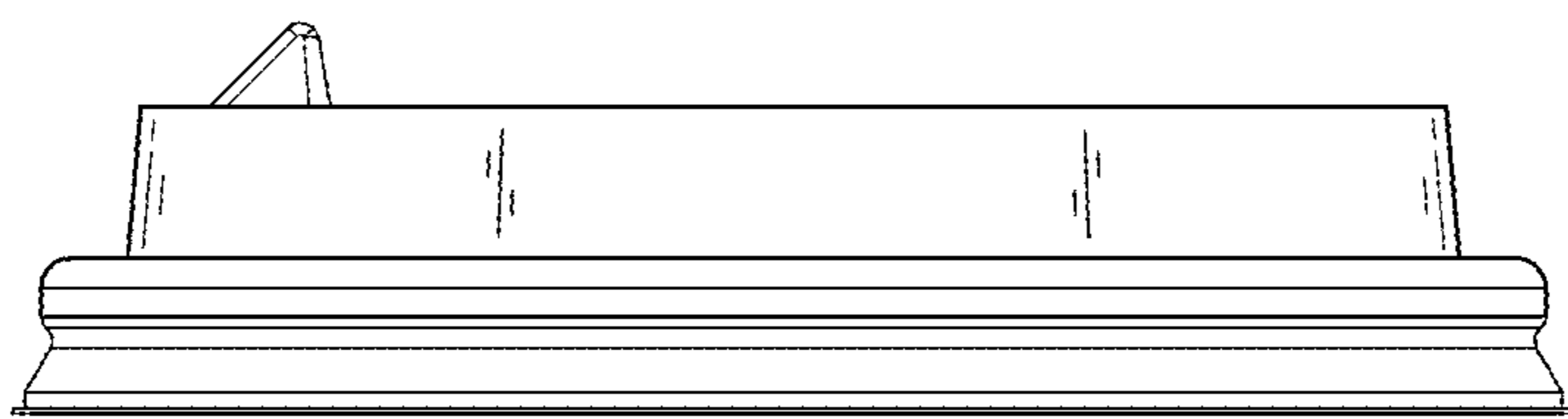


FIG.4

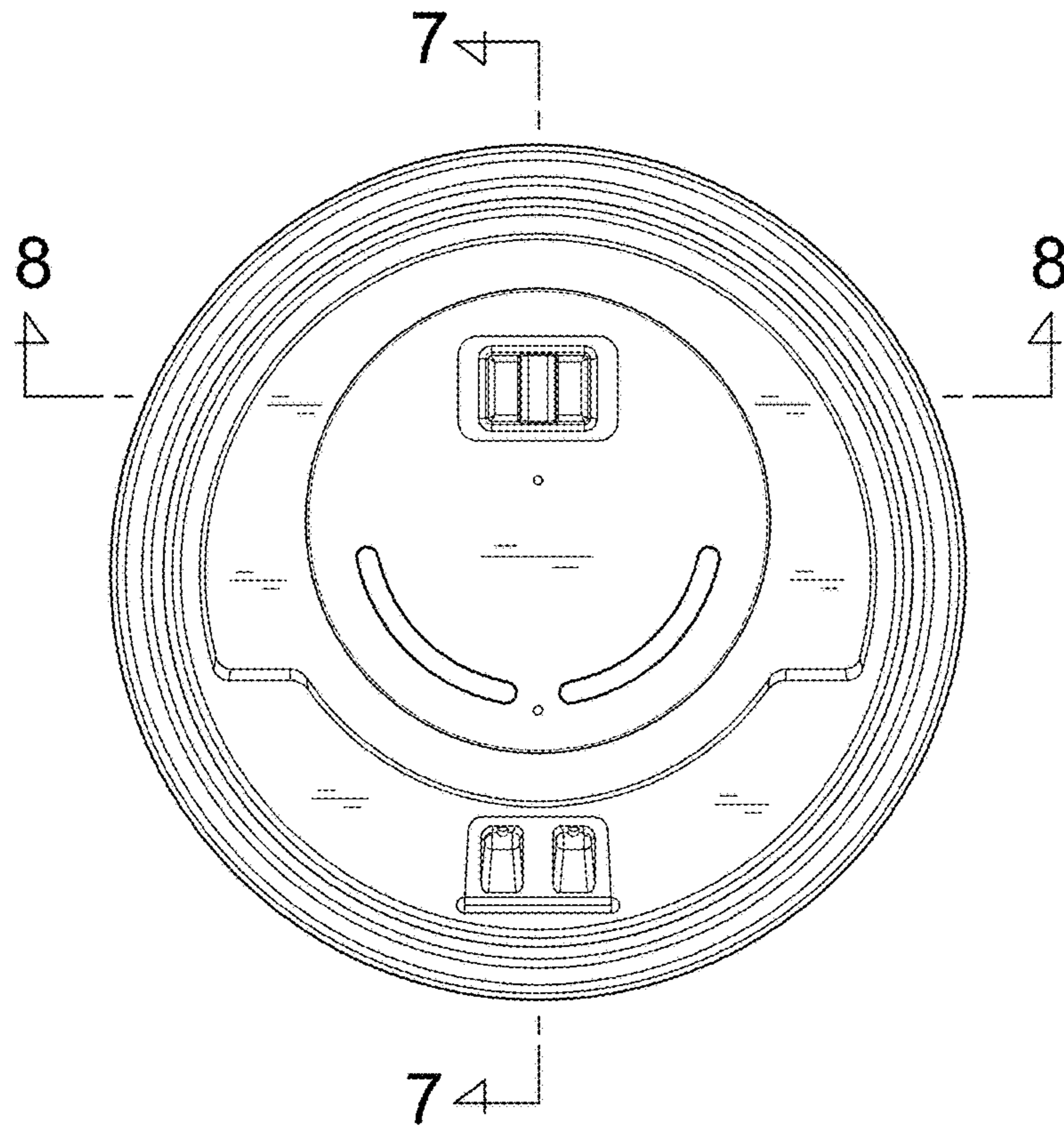


FIG.5

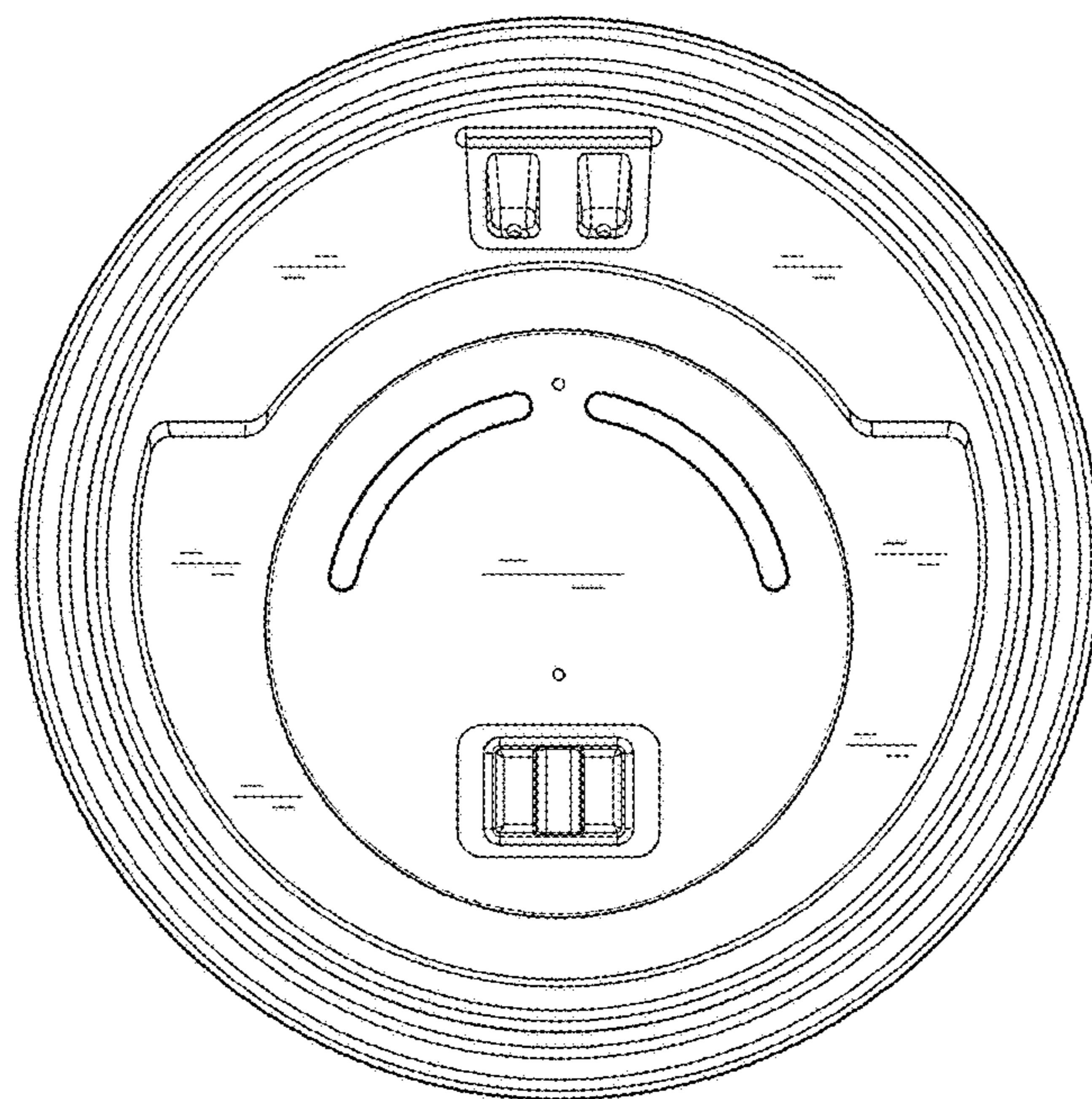


FIG.6

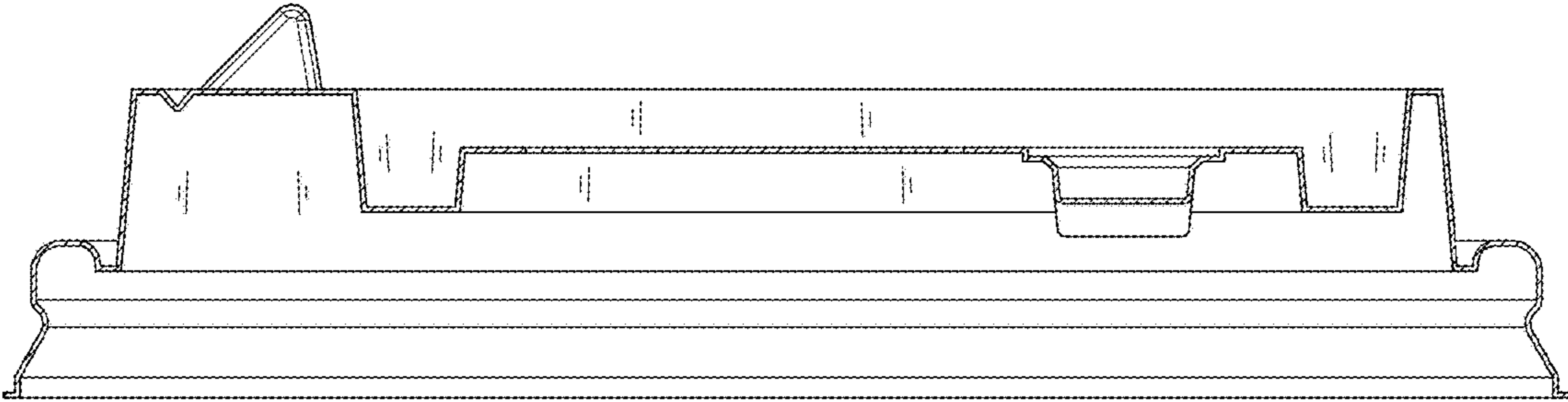


FIG. 7

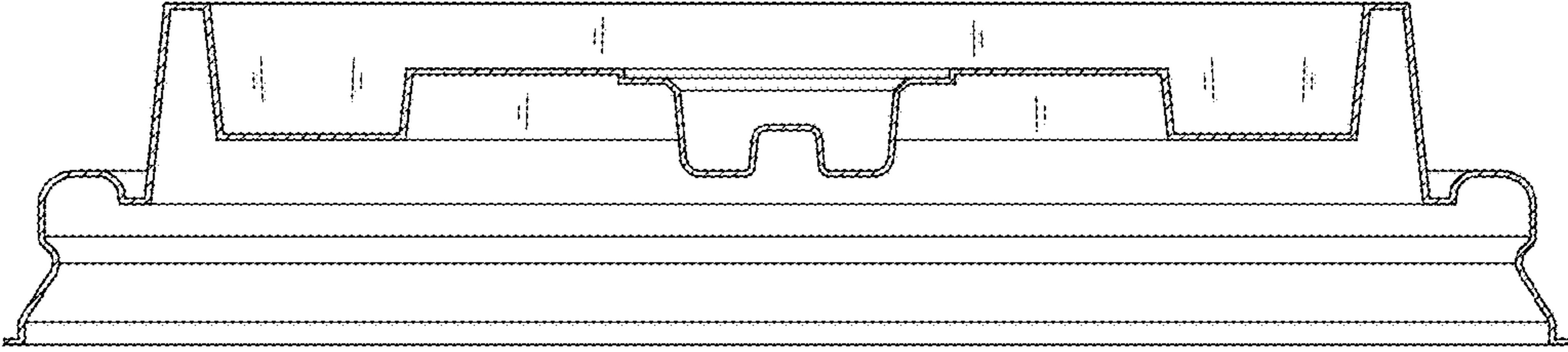


FIG. 8