



US00D816494S

(12) **United States Design Patent** (10) **Patent No.:** **US D816,494 S**  
**Candelaria** (45) **Date of Patent:** **\*\* May 1, 2018**

(54) **TWIST-OFF BOTTLE CAP WITH FINGER NOTCHES**

(71) Applicant: **Pfizer Inc.**, New York, NY (US)

(72) Inventor: **Edward Candelaria**, Rockaway, NJ (US)

(73) Assignee: **Pfizer Inc.**, New York, NY (US)

(\*\*) Term: **15 Years**

(21) Appl. No.: **29/588,524**

(22) Filed: **Dec. 21, 2016**

(51) **LOC (11) Cl.** ..... **09-07**

(52) **U.S. Cl.**  
USPC ..... **D9/443; D9/437**

(58) **Field of Classification Search**  
USPC ..... D7/316, 392, 392.1, 396.2, 397, 510, D7/533; D9/434-436, 438, 439, 440, D9/443, 444, 447-450, 452-454, 499, D9/549, 715, 717-719; D23/260, 269, D23/390  
CPC ..... B65D 41/17  
See application file for complete search history.

(56) **References Cited**

**U.S. PATENT DOCUMENTS**

- D260,371 S \* 8/1981 Imm ..... D9/452
- D263,668 S \* 4/1982 Knutson ..... D7/570
- D310,030 S \* 8/1990 Mansau ..... D9/439
- D318,232 S \* 7/1991 Mansau ..... D9/439
- D339,525 S \* 9/1993 Morris, Sr. .... D9/435
- D477,224 S \* 7/2003 Hussain ..... D9/443
- D509,102 S \* 9/2005 Shumway ..... D7/392.1
- D548,076 S \* 8/2007 Matsumura ..... D9/435
- D568,450 S \* 5/2008 King, Jr. .... D23/261
- 7,992,741 B2 \* 8/2011 Hundley ..... B65D 43/0212  
220/253
- D677,161 S \* 3/2013 Titherington ..... B65D 50/041  
D9/443

- D681,459 S \* 5/2013 Ramsey ..... D9/452
- D681,460 S \* 5/2013 Kim ..... D9/443
- D682,694 S \* 5/2013 van den Hoonaard ..... D9/445
- D710,699 S \* 8/2014 Phelps ..... D9/452
- D748,240 S \* 1/2016 Goode ..... D24/101
- D748,241 S \* 1/2016 Goode ..... D24/102
- D751,397 S \* 3/2016 Kim ..... D9/452
- D761,653 S \* 7/2016 Greenfield ..... D9/453
- D770,281 S \* 11/2016 Kim ..... D9/452
- D775,952 S \* 1/2017 Kim ..... D9/452
- D781,400 S \* 3/2017 Montoya ..... D23/260
- D783,800 S \* 4/2017 Goode ..... D24/102

(Continued)

**OTHER PUBLICATIONS**

Amazon. Gatorade 32 Oz Squeeze Water Sports Bottle. Aug. 5, 2014 [earliest online date], [site visited Jul. 31, 2017]. Available from Internet, <URL:https://www.amazon.com/Gatorade-Squeeze-Water-Sports-Bottle/dp/B00LZSJ642>.\*

*Primary Examiner* — Robert M. Spear  
*Assistant Examiner* — Darcey E Heflin  
(74) *Attorney, Agent, or Firm* — Jeffrey M. Gold; Michael R. Crabb

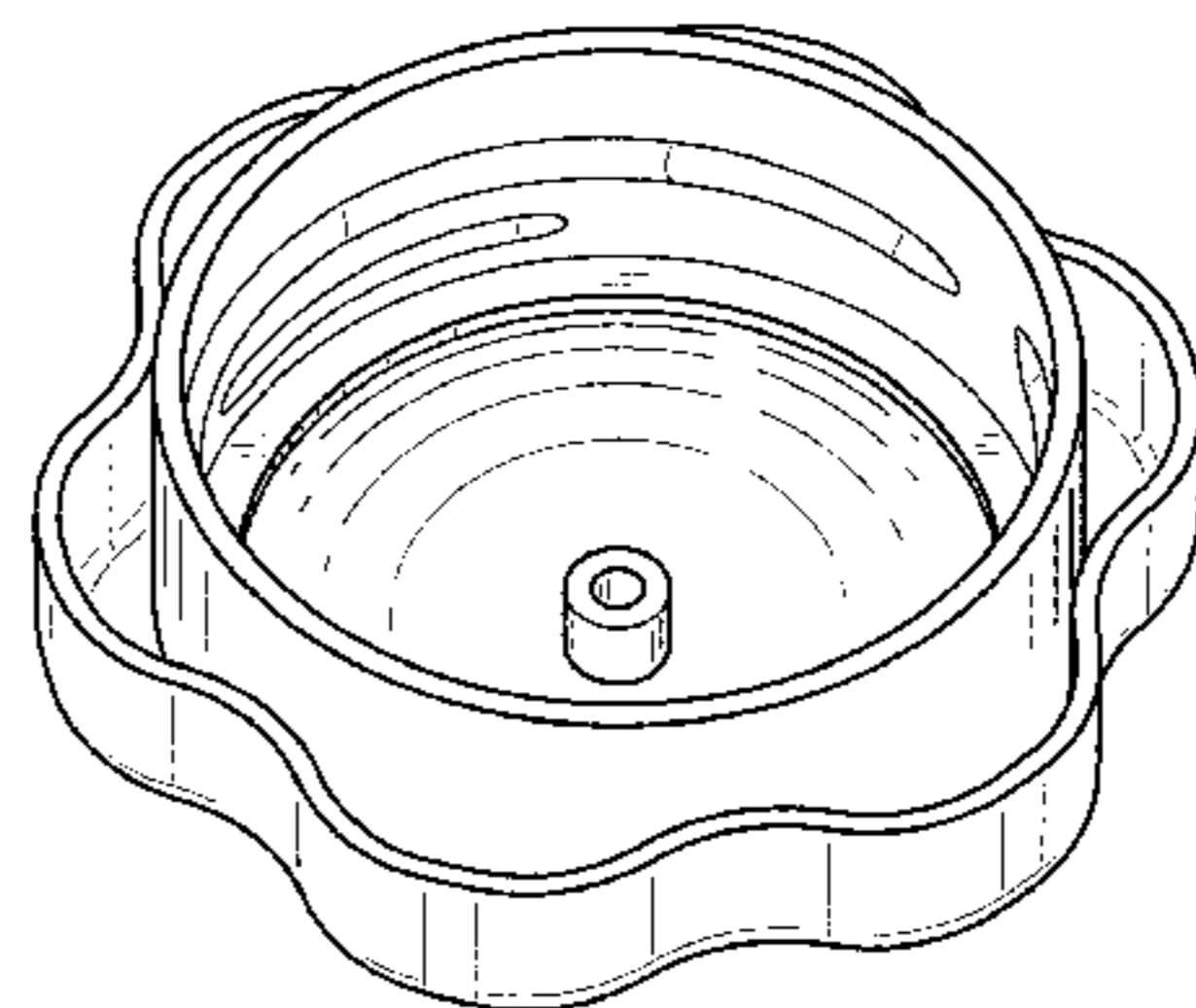
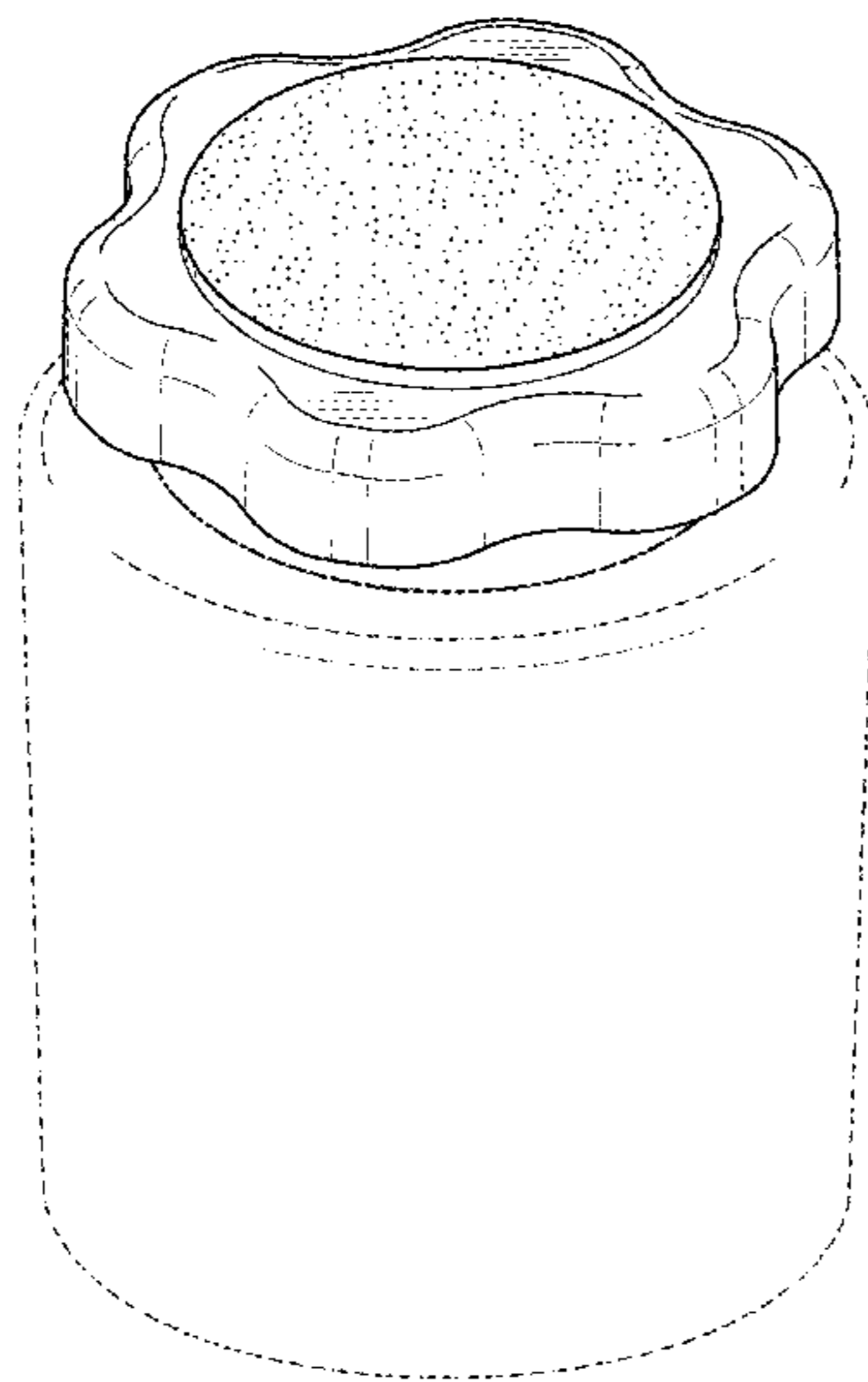
(57) **CLAIM**

The ornamental design for a twist-off bottle cap with finger notches, as shown and described.

**DESCRIPTION**

FIG. 1 is a perspective view of the twist-off bottle cap with finger notches showing my new design (in the figures, broken lines depict environment and form no part of the claim);  
FIG. 2 is a top view thereof;  
FIG. 3 is a side view thereof;  
FIG. 4 is a bottom view thereof; and,  
FIG. 5 is a bottom perspective view thereof.  
The stippling in the drawings indicates a contrast in appearance.

**1 Claim, 4 Drawing Sheets**



(56)

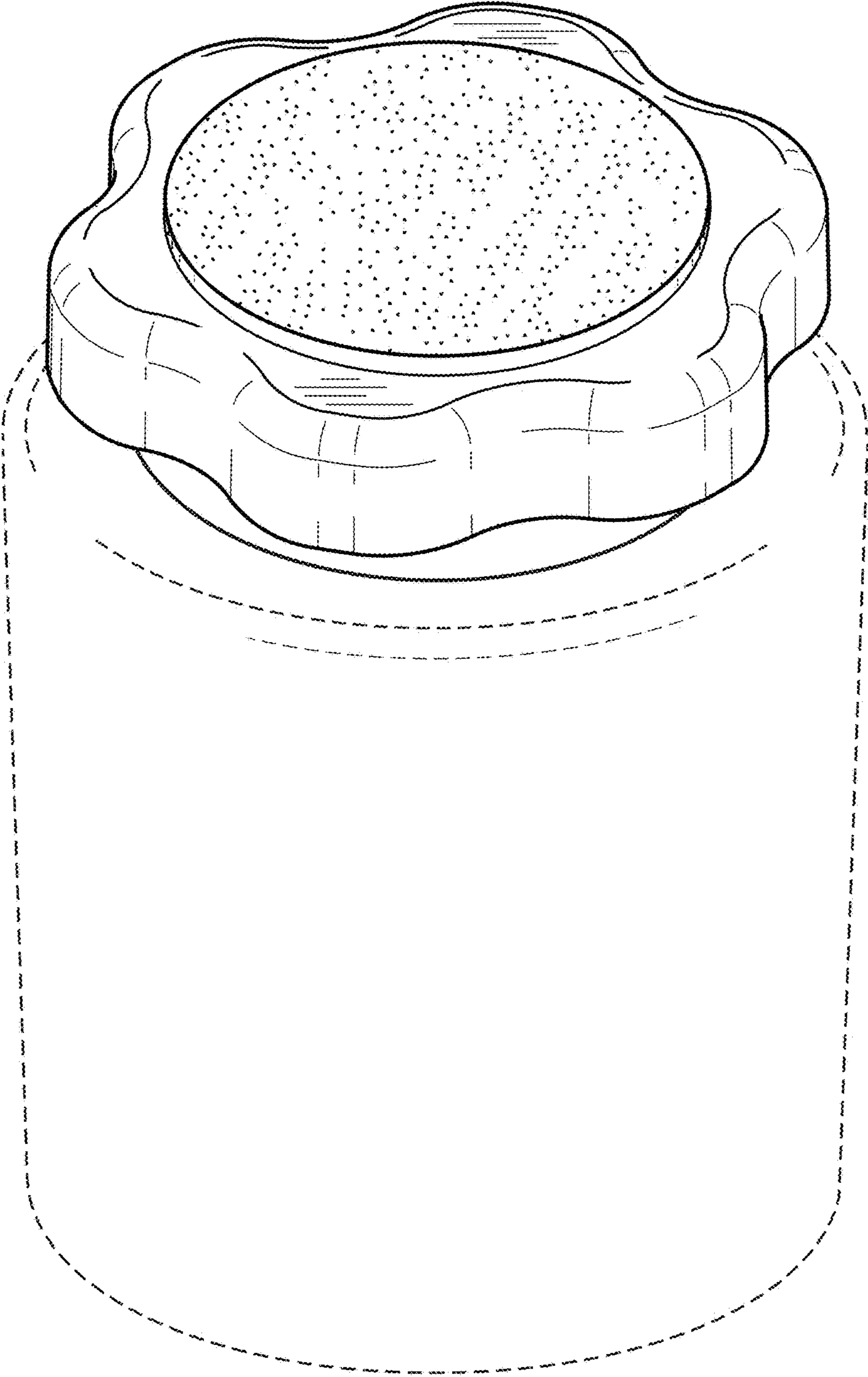
**References Cited**

U.S. PATENT DOCUMENTS

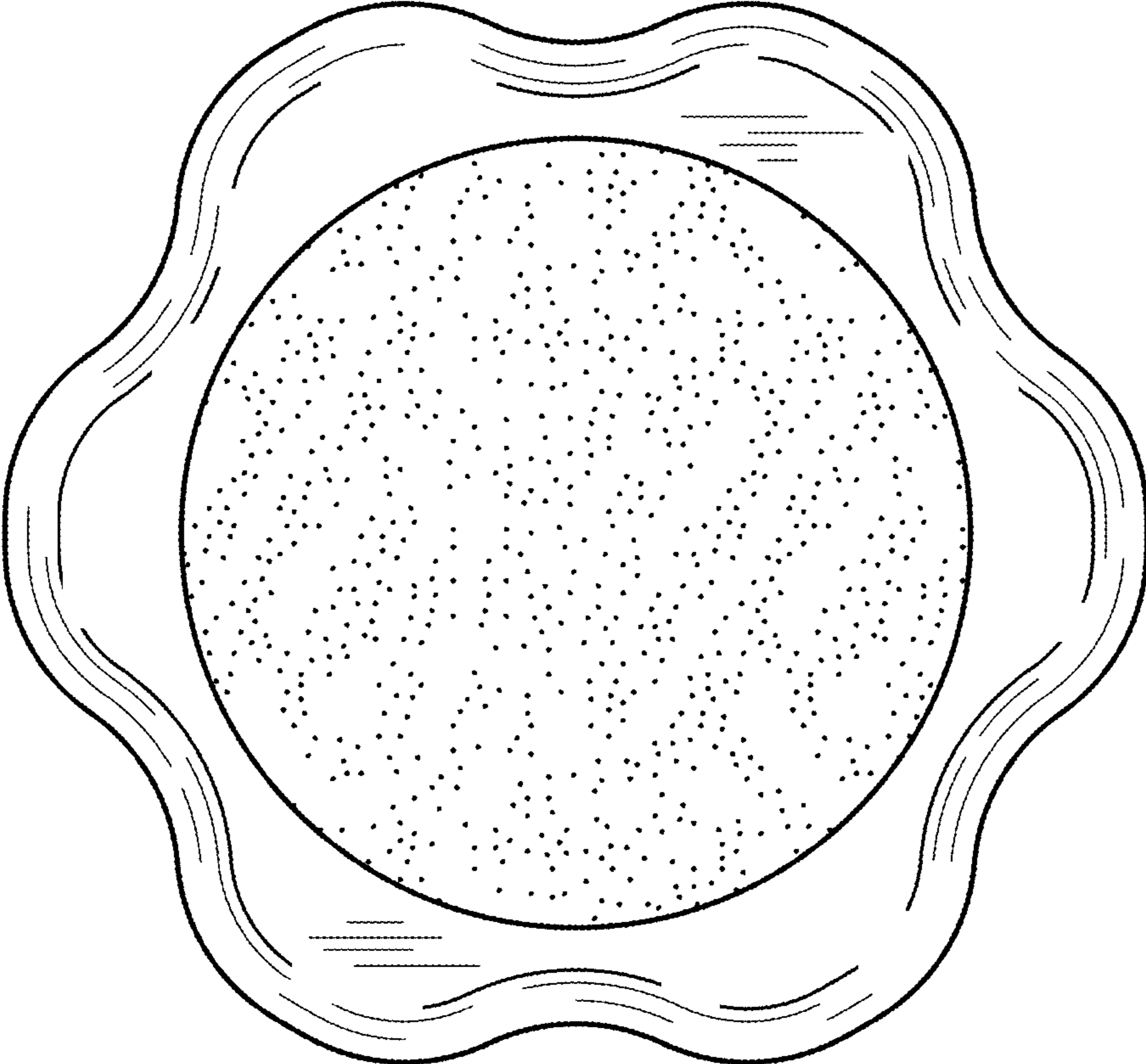
D783,801 S \* 4/2017 Goode ..... D24/102  
D792,215 S \* 7/2017 Eyal ..... D7/392.1

\* cited by examiner

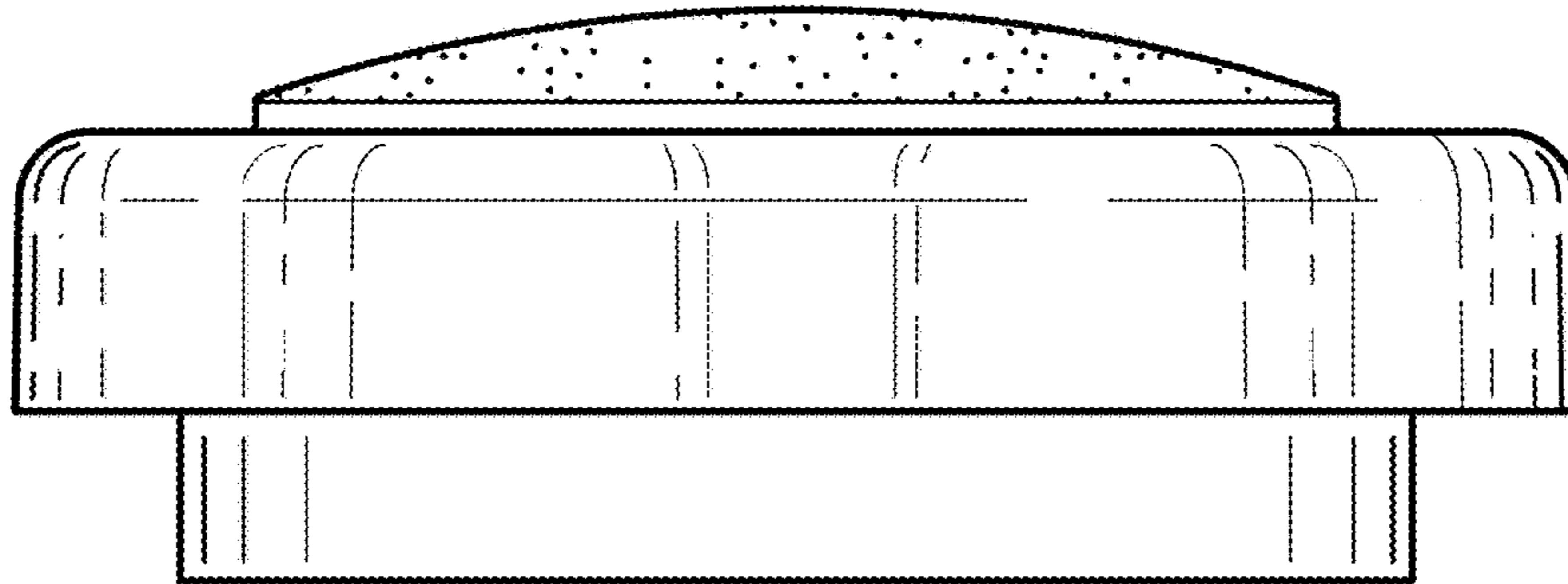
FIG. 1



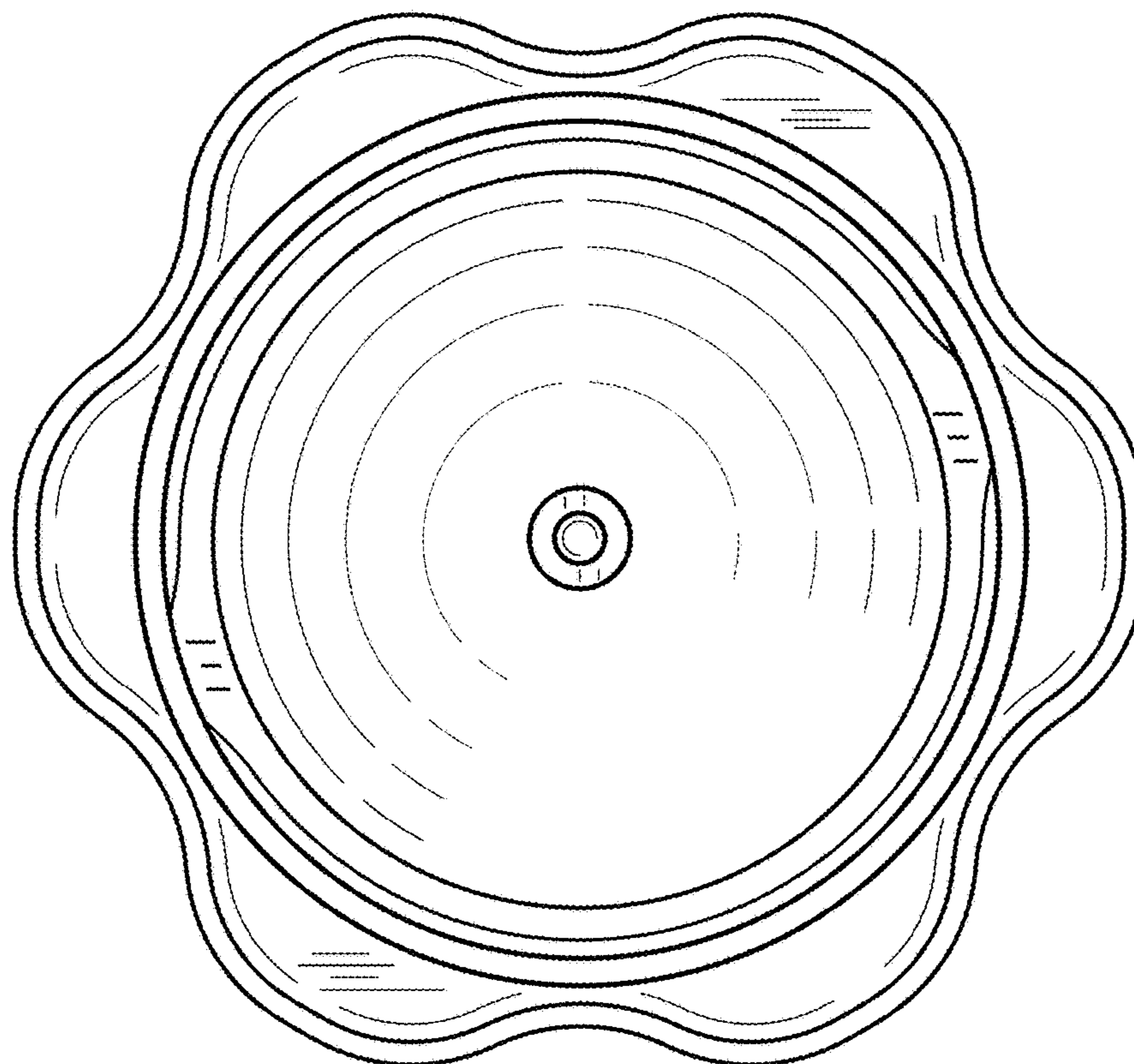
**FIG. 2**



**FIG. 3**



**FIG. 4**





**FIG. 5**

