



US00D816493S

(12) **United States Design Patent**
Seiders et al.

(10) **Patent No.: US D816,493 S**
(45) **Date of Patent: ** *May 1, 2018**

(54) **LID**

(71) Applicant: **YETI Coolers, LLC**, Austin, TX (US)

(72) Inventors: **Roy Joseph Seiders**, Austin, TX (US);
Derek G. Sullivan, Austin, TX (US);
Andy Bondhus, Austin, TX (US); **Evan Goldberg**, Austin, TX (US)

(73) Assignee: **YETI Coolers, LLC**, Austin, TX (US)

(*) Notice: This patent is subject to a terminal disclaimer.

(**) Term: **15 Years**

(21) Appl. No.: **29/568,693**

(22) Filed: **Jun. 20, 2016**

(51) **LOC (11) Cl.** **09-07**

(52) **U.S. Cl.**
USPC **D9/443**; D7/396.2; D9/449

(58) **Field of Classification Search**
USPC D3/294, 295; D7/213, 387, 392, 392.1,
D7/396.1, 396.2, 396.3, 541, 546, 549,
D7/554.2, 554.3, 602, 605, 701, 703, 705;
D9/414, 420, 426, 428, 430, 434-436,
D9/438, 443, 449, 454, 455, 499, 703,
D9/717, 721
CPC B65D 47/122; B65D 47/2037; B65D
2581/3447

See application file for complete search history.

(56) **References Cited**

U.S. PATENT DOCUMENTS

D109,331 S 4/1938 McManus et al.
D154,378 S 7/1949 Fuller
D177,761 S 5/1956 Reinhardt
D192,192 S 2/1962 Tupper

(Continued)

FOREIGN PATENT DOCUMENTS

CN 301110494 1/2010
CN 303528321 12/2015

(Continued)

OTHER PUBLICATIONS

Yeti. Rambler. Jul. 19, 2016 [earliest online date], [site visited Apr. 7, 2017]. Available from Internet, <URL:http://yeti.com/rambler>.*

(Continued)

Primary Examiner — Robert M. Spear

Assistant Examiner — Darcey E Heflin

(74) *Attorney, Agent, or Firm* — Banner & Witcoff, Ltd.

(57) **CLAIM**

The ornamental design for a lid, as shown and described.

DESCRIPTION

FIG. 1 is a top, front, right perspective view of a lid showing our new design;

FIG. 2 is a front view thereof;

FIG. 3 is a rear view thereof;

FIG. 4 is a right side view thereof;

FIG. 5 is a left side view thereof;

FIG. 6 is a top view thereof;

FIG. 7 is a bottom view thereof;

FIG. 8 is a top, front, right perspective exploded view thereof;

FIG. 9 is a front exploded view thereof;

FIG. 10 is a rear exploded view thereof;

FIG. 11 is a right exploded view thereof;

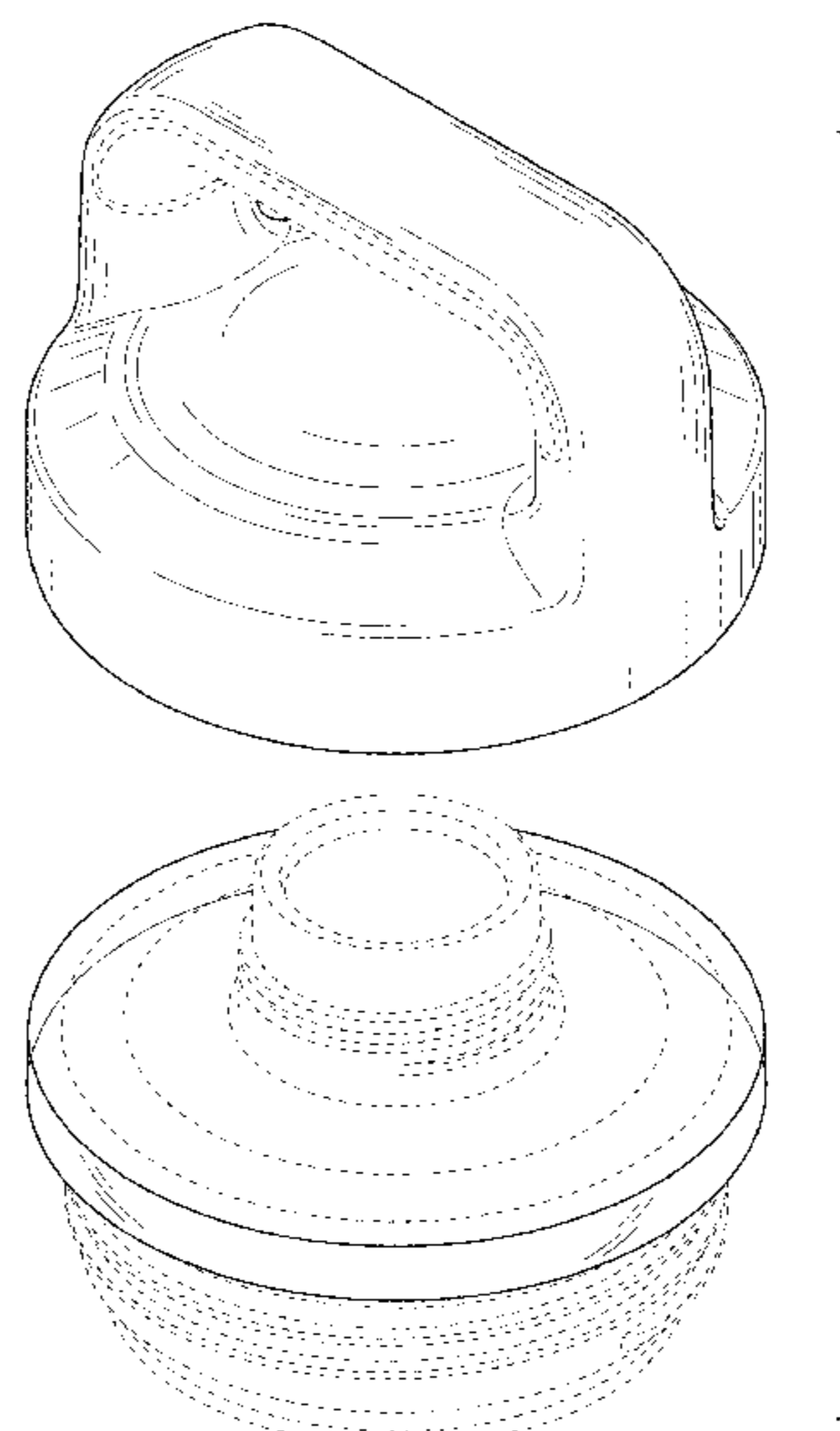
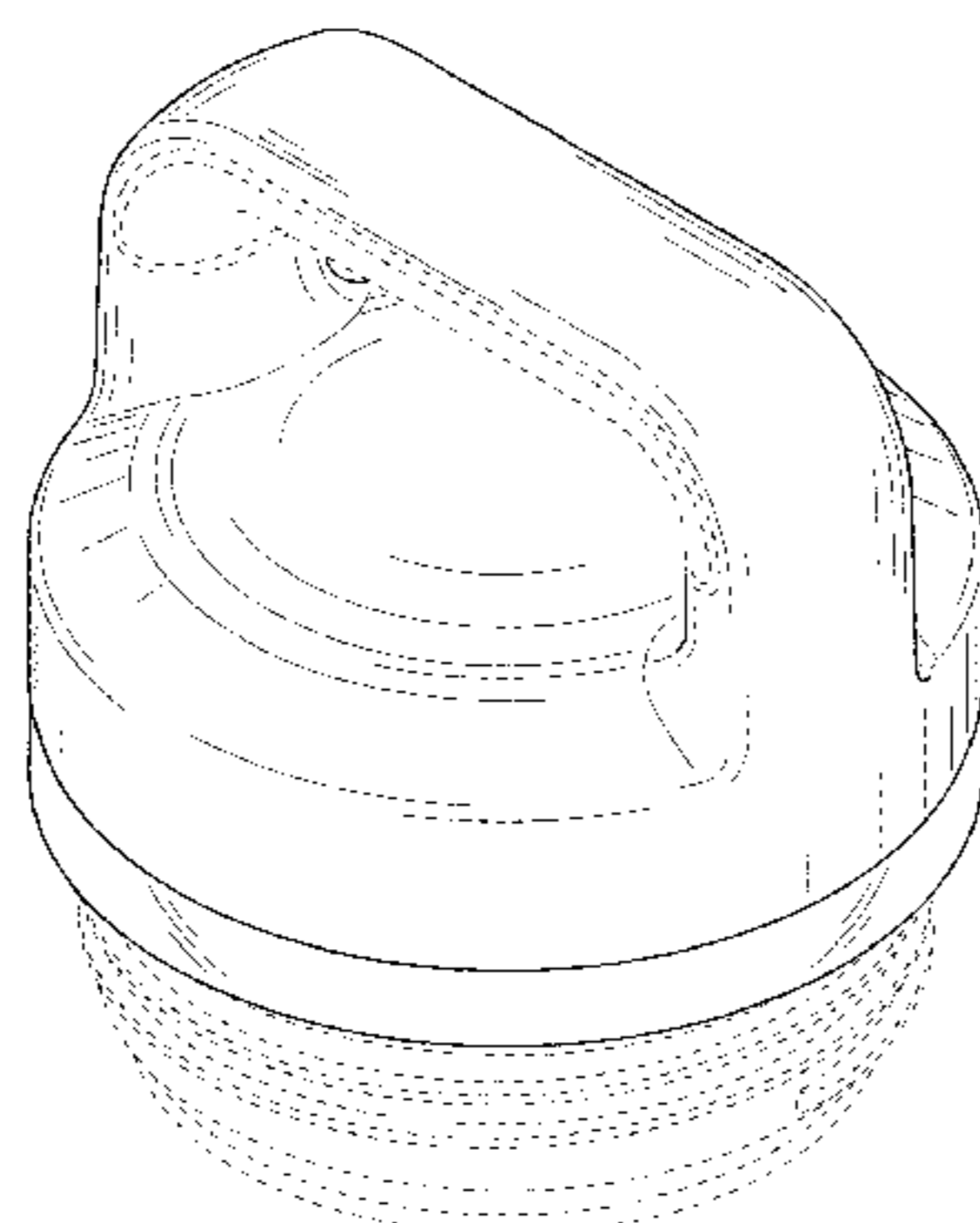
FIG. 12 is a left exploded view thereof;

FIG. 13 is a top exploded view thereof; and,

FIG. 14 is a bottom exploded view thereof.

The claim is defined by the shaded surfaces. In the drawings the broken lines showing portions of the lid depict environmental and form no part of the claimed design.

1 Claim, 11 Drawing Sheets



(56)

References Cited

U.S. PATENT DOCUMENTS

D224,646 S	8/1972	Vollquartz	
D235,303 S	6/1975	Boucher	
4,090,660 A	5/1978	Schram et al.	
4,202,459 A	5/1980	DeParales et al.	
D256,651 S	9/1980	Leung et al.	
4,408,703 A	10/1983	Libit	
D279,346 S	6/1985	Ruxton	
D281,567 S	12/1985	Zimmermann	
D286,604 S	11/1986	Bierlein et al.	
D286,847 S	11/1986	Zimmermann	
D287,211 S	12/1986	Weiss	
D290,678 S	7/1987	Johnson et al.	
D305,871 S	2/1990	Geiger	
D332,379 S	1/1993	Murphy	
D354,915 S	1/1995	Schneider et al.	
D363,666 S	10/1995	Goto et al.	
D368,224 S	3/1996	Arndt	
D381,906 S	8/1997	Bartsch	
D391,450 S *	3/1998	Rausch	D7/605
D398,193 S	9/1998	Sanchez	
D405,650 S	2/1999	Meier	
D411,742 S *	6/1999	Kokenge	D9/434
D415,395 S	10/1999	Hunt et al.	
D422,916 S	4/2000	Herrmann	
D437,556 S	2/2001	Holliday et al.	
D456,669 S	5/2002	Munari	
D458,133 S	6/2002	Berish et al.	
D458,134 S	6/2002	Berish et al.	
D466,814 S	12/2002	Hurlburt	
D479,800 S *	9/2003	McRae	D9/443
D482,607 S	11/2003	McRae	
D485,759 S	1/2004	Janky et al.	
D494,425 S	8/2004	Segura	
D502,052 S *	2/2005	Meade	D7/388
D504,796 S	5/2005	Schuler et al.	
D521,866 S	5/2006	Hicks et al.	
D524,909 S	7/2006	Bakke et al.	
D525,518 S	7/2006	Baldwin	
D536,929 S	2/2007	Kingsley	
D544,749 S	6/2007	Seum et al.	
D548,082 S	8/2007	Kingsley	
D552,926 S	10/2007	Yelland	
D553,914 S	10/2007	Wahl	
D554,000 S	10/2007	Walsh	
D554,503 S	11/2007	Kerman et al.	
D554,993 S	11/2007	Kerman et al.	
D561,470 S	2/2008	Jalet	
D564,363 S	3/2008	Rhea	
D568,740 S *	5/2008	Williams	D9/436
D572,585 S	7/2008	Perrin et al.	
D584,623 S	1/2009	Chupak	
D587,533 S	3/2009	Carreno	
D601,436 S	10/2009	Stephens et al.	
D603,331 S	11/2009	Schupp	
D603,722 S	11/2009	Reimer	
D604,181 S	11/2009	Reimer	
D604,561 S	11/2009	Chisholm	
D605,040 S	12/2009	Fry et al.	
D605,060 S	12/2009	Reimer	
D608,140 S	1/2010	Gilbert	
D608,195 S *	1/2010	Germann	D9/443
D609,567 S	2/2010	Komet et al.	
D611,346 S	3/2010	Camomile	
D612,235 S	3/2010	Cresswell et al.	
D614,918 S	5/2010	Chisholm	
D615,360 S	5/2010	Joy et al.	
D615,816 S	5/2010	Joy et al.	
D616,703 S	6/2010	Joy et al.	
D616,743 S *	6/2010	Cresswell	D9/443
D616,744 S *	6/2010	Cresswell	D9/443
D618,500 S *	6/2010	Hardaway	D7/396.2
D619,457 S	7/2010	Walsh	
D619,458 S	7/2010	Walsh	
D619,459 S	7/2010	Walsh	
D620,798 S	8/2010	Cresswell et al.	
D621,257 S	8/2010	Gullickson et al.	
D621,258 S	8/2010	Gullickson et al.	
D622,089 S	8/2010	Daniel et al.	
D622,145 S	8/2010	Walsh	
D623,475 S	9/2010	Aamoudse et al.	
D623,896 S	9/2010	Wahl et al.	
D626,414 S	11/2010	Cresswell et al.	
D626,416 S	11/2010	Cresswell et al.	
D627,600 S	11/2010	Eyal	
D627,601 S	11/2010	Eyal	
D627,602 S	11/2010	Eyal	
D627,604 S	11/2010	Eyal	
D628,486 S	12/2010	Lane	
D629,689 S	12/2010	Cresswell et al.	
D629,690 S	12/2010	Cresswell et al.	
D629,691 S	12/2010	Cresswell et al.	
D630,474 S	1/2011	Gilbert	
D630,475 S	1/2011	Lu	
D631,666 S	2/2011	Lim et al.	
D633,338 S	3/2011	Rosbach et al.	
D633,794 S	3/2011	Cresswell et al.	
D633,795 S	3/2011	Cresswell et al.	
D633,796 S	3/2011	Cresswell et al.	
D633,797 S	3/2011	Cresswell et al.	
D635,457 S	4/2011	Lane	
D635,856 S	4/2011	Lauret	
D638,695 S	5/2011	Woodrow et al.	
D638,708 S	5/2011	Walsh	
D639,164 S	6/2011	Walsh	
D639,661 S	6/2011	Llerena	
D639,663 S	6/2011	Llerena	
D641,591 S	7/2011	Tsukida	
D643,245 S	8/2011	Minarsch	
D644,060 S	8/2011	Komeiji	
D644,062 S *	8/2011	Lorenz	D7/396.2
D647,753 S	11/2011	Lin	
D651,847 S *	1/2012	Gilbert	D7/392.1
D652,255 S	1/2012	Carland	
D652,682 S	1/2012	Eyal	
D654,762 S	2/2012	Gilbert	
D655,134 S	3/2012	Gilbert	
D655,570 S	3/2012	Meehan	
D655,581 S	3/2012	Kotani	
D655,967 S	3/2012	Bodum	
D657,196 S	4/2012	Beyers, III	
D658,064 S	4/2012	Barnes et al.	
D658,445 S	5/2012	Carreno	
D659,007 S	5/2012	Pape	
D660,084 S	5/2012	Gilbert	
D662,360 S	6/2012	George	
8,215,511 B1	7/2012	Lin	
D664,809 S	8/2012	Eyal	
D665,621 S	8/2012	Eyal	
D666,052 S	8/2012	Trombly	
D667,263 S	9/2012	Gilbert et al.	
D668,913 S	10/2012	Mayer	
8,276,776 B2	10/2012	Roth et al.	
D672,238 S *	12/2012	Aziz	D7/510
D672,609 S	12/2012	Aziz et al.	
D674,663 S	1/2013	Cahen	
D675,100 S	1/2013	Herbst	
D676,764 S	2/2013	Moore et al.	
D677,119 S *	3/2013	Ying	D7/392.1
D678,772 S	3/2013	Johnson et al.	
D680,389 S	4/2013	Zemel et al.	
D684,059 S	6/2013	Johnson et al.	
D684,813 S	6/2013	Eyal	
D686,078 S	7/2013	Johnson et al.	
D688,093 S	8/2013	Roth et al.	
D691,416 S	10/2013	Eyal	
D692,756 S	11/2013	McClellan et al.	
D693,698 S	11/2013	Miller, Jr.	
D695,138 S	12/2013	Ball	
D696,945 S	1/2014	Newman	
D697,404 S	1/2014	Johnson et al.	
D698,668 S	2/2014	Vaughn	
D701,464 S	3/2014	Ogata et al.	
D702,092 S	4/2014	Mettler et al.	
D702,506 S	4/2014	Mettler et al.	

(56)

References Cited

U.S. PATENT DOCUMENTS

D708,954 S	7/2014	Barnes et al.	
D709,734 S	7/2014	Kotani	
D712,254 S *	9/2014	Geis	D9/436
D712,255 S *	9/2014	Geis	D9/436
D713,268 S	9/2014	Jones et al.	
D713,365 S	9/2014	Green	
D715,100 S	10/2014	Eyal	
D717,102 S	11/2014	Taketani et al.	
D717,115 S	11/2014	Lane et al.	
D721,540 S	1/2015	Grcic	
D724,385 S	3/2015	Hurley et al.	
D728,315 S	5/2015	Bo	
D728,995 S	5/2015	Barberi	
D729,579 S	5/2015	Molayem	
D729,584 S	5/2015	Weston et al.	
D732,337 S	6/2015	Coon et al.	
D732,402 S	6/2015	Jones et al.	
D734,154 S	7/2015	Johnson et al.	
D735,578 S	8/2015	Mazurkiewicz et al.	
D741,655 S	10/2015	Whelan et al.	
D743,742 S	11/2015	Rummel et al.	
D744,781 S	12/2015	Rummel et al.	
D747,199 S	1/2016	Phillips	
D751,340 S	3/2016	Seiders et al.	
D751,341 S	3/2016	Seiders et al.	
D752,381 S	3/2016	Wahl	
D754,472 S	4/2016	Munari	
D755,561 S *	5/2016	Eyal	D7/392.1
D756,701 S	5/2016	Mettler et al.	
D758,859 S *	6/2016	Sorensen	D7/393
D760,080 S *	6/2016	Gorbold	D9/443
D760,586 S *	7/2016	Seiders	D7/392.1
D761,618 S	7/2016	Lapsker	
D764,869 S	8/2016	Smrtnik et al.	
D764,916 S	8/2016	Mount, III et al.	
D766,085 S	9/2016	Smith	
D772,651 S	11/2016	Leonard et al.	
D774,363 S	12/2016	Seiders et al.	
D777,508 S *	1/2017	Goodwin	D7/392.1
D779,872 S	2/2017	Bergstrom	
D780,577 S *	3/2017	Seiders	D7/392.1
D781,145 S *	3/2017	Seiders	D7/392.1
D781,146 S *	3/2017	Seiders	D7/392.1
D782,881 S	4/2017	Seiders et al.	
D783,367 S	4/2017	Seiders et al.	
D783,368 S	4/2017	Seiders et al.	
D786,671 S	5/2017	Khetarpaul et al.	
D788,544 S	6/2017	Seiders et al.	
D790,285 S	6/2017	Seiders et al.	
2008/0078787 A1	4/2008	Yelland	
2010/0288782 A1	11/2010	Lin	
2011/0114655 A1	5/2011	Bailey	
2011/0186585 A1	8/2011	Lu	
2012/0125931 A1	5/2012	Roth et al.	
2014/0251938 A1	9/2014	Rose et al.	
2014/0353275 A1	12/2014	Hung	
2017/0119212 A1	5/2017	Petrillo et al.	

FOREIGN PATENT DOCUMENTS

JP	1530358	8/2015
KR	300303813.0000	8/2002
KR	300751936.0000	7/2014
KR	300764889.0000	10/2014
WO	D088688-002	1/2016

OTHER PUBLICATIONS

Amazon. YETI Rambler Bottle Replacement Cap. Mar. 23, 2017 [earliest online date], [site visited Apr. 7, 2017]. Available from Internet, <URL:https://www.amazon.com/YETI-Rambler-Bottle-Replacement-Cap/dp/B01MZ6QIMY>.*

Outdoor Pro Shop. Yeti Rambler Bottles. May 27, 2016 [earliest online date], [site visited Apr. 7, 2017]. Available from Internet, <URL:https://www.outdoorproshop.com/Yeti-Rambler-Bottles-p/yeti-yrambtl.htmOu>.*

Yeti 36 oz. Rambler: Announced Jan. 11th, 2016 [online], site visited [May 10th, 2016]. Available from Internet URL: http://yeticoolers.com/rambler-bottle-36-oz/.

KOLD Vacuum Insulated Stainless Steel Sports Bottle: Announced Dec. 8th, 2015 [online], site visited [May 11th, 2016]. Available from Internet URL: http://www.amazon.com/Kold-Sports-Water-Bottles-Insulated/dp/B018YH K79E/ref=cm.

United States District Court Western District of Texas Austin Division, "Complaint for Damages and Injunctive Relief," *Yeti Coolers, LLCv. RTIC Coolers, LLC, RTIC Drinkware, LLC, and RTIC Web Services, LLC*, Case: 1:16-cv-00985, Document #1, filed Aug. 18, 2016, 27 pages.

United States District Court Western District of Texas Austin Division, "Defendants' Motion to Dismiss Pursuant to Rule 12(b)(6)," *Yeti Coolers, LLCv. RTIC Coolers, LLC, RTIC Drinkware, LLC, and RTIC Web Services, LLC*, Case: 1:16-cv-00985, Document #9, filed Sep. 23, 2016, 27 pages.

English translation of Office Action dated Nov. 1, 2016 for JP Application No. 2016-9605, 2 pages.

English translation of Office Action dated Nov. 1, 2016 for JP Application No. 2016-9606, 2 pages.

English translation of Office Action dated Oct. 4, 2016 for JP Application No. 2016-9607, 2 pages.

English translation of Office Action dated Oct. 4, 2016 for JP Application No. 2016-9608, 2 pages.

United States District Court Western District of Texas Austin Division, "Plaintiff Yeti Coolers, LLC's Original Complaint," *Yeti Coolers, LLCv. Ontel Products Corporation and World Pack USA, LLC*, Case: 1:17-cv-00091-RP, Document #1, tiled Feb. 8, 2017, 65 pages.

United States District Court Western District of Texas Austin Division, "Defendants' Answers and Defenses to Plaintiff's Original Complaint," *Yeti Coolers, LLCv. Ontel Products Corporation and World Pack USA, LLC*, Case: 1:17-cv-00091-RP, Document #14, filed Feb. 21, 2017, 45 pages.

"Review: Yeti Heavy-Duty Rambler Bottles". Found online Jun. 12, 2017 at gearjunkie.com. Page dated Apr. 1, 2016. Retrieved from <https://gearjunkie.com/yeti-rambler-water-bottle-review>.

"ETS Express: New Items in Stock". Found online Jun. 12, 2017 at twitter.com. Page dated Jan. 21, 2015. Retrieved from <https://twitter.com/etsexpress/status/557997114589196288>.

"Klean Kanteen Wide Mouth Water Bottle with Loop Cap". Found online Oct. 12, 2016 at amazon.com. Page dated Dec. 5, 2009. Retrieved from <https://www.amazon.com/Klean-Kanteen-Mouth-Water-Bottle/dp/B002VIZ61U/ref=cm_cr_ar_p_d_product_top?ie=UTF8>.

"Sketch-a-Day: Water Bottles". Found online Jun. 21, 2017 at sketch-a-day.com. Page dated Mar. 4, 2010. Retrieved from <http://www.sketch-a-day.com/posts/sketch-a-day-95-water-bottles/>.

United States District Court Western District of Texas Austin Division, "Plaintiffs' Complaint for Damages and Injunctive Relief," *Yeti Coolers, LLCv. Houssam Rabi d/b/a Hoo-Sizzy*, Case 1:17-cv-00418, Document 1, filed May 5, 2017, 37 pages.

United States District Court Western District of Texas Austin Division, "Plaintiffs' Complaint for Damages and Injunctive Relief," *Yeti Coolers, LLCv. Seth Stevens d/b/a SDS Marketing d/b/a Eskimo Coolers, Panther Group LLC d/b/a Eskimo Coolers, Panther Group Sales, LLC d/b/a Eskimo Coolers, and Silver Fox Sales, LLC*, Case 1:17-cv-00423, Document 1, tiled May 5, 2017, 77 pages.

"Bubba Brands Classic Insulated Travel Mug". Found online Mar. 9, 2017 at amazon.com. Page dated Sep. 30, 2010. Retrieved from https://www.amazon.com/Bubba-Brands-1953403-Classic-Insulated/dp/B01FB71G8Y/ref=cm_cr_ar_p_d_product_top?ie=UTF8.

"Bubba HERO Bottle Replacement Lid". Found online Mar. 9, 2017 at amazon.com. Page dated Jan. 14, 2015. Retrieved from https://www.amazon.com/bubba-HERO-bottle-replacement-lid/dp/B00QQYDI44/ref=cm_cr_ar_p_d_product_top?ie=UTF8.

(56)

References Cited

OTHER PUBLICATIONS

“Contigo Extreme Stainless Steel Travel Mug”. Found online Mar. 9, 2017 at amazon.com. Page dated Sep. 13, 2016. Retrieved from https://www.amazon.com/Contigo-Extreme-Stainless-Insulated-Limited/dp/B01LZGBMKT/ref=pd_sim_79_3?_encoding=UTF8&psc=&refRID=A4VHP8EG6AKH3BG73BMZ.

“Hydro Flask Wide Mouth Hydro Flip Lid”. Found online Mar. 9, 2017 at amazon.com. Page dated Oct. 9, 2012. Retrieved from http://www.amazon.com/Hydro-Flask-Wide-Mouth-Black/dp/B01GW2H430/ref=cm_cr_arp_d_product_top?ie=UTF8.

Hydro Flask. Hydro Flip. 2015 [earliest online date], [site visited Apr. 28, 2017]. Available from Internet, <URL:<https://www.hydroflask.com/hydro-flip#92=57>>.

Jane. Spill Resistant Flip Lid and Yeti Accessories. Dec. 5, 2016 [earliest online date], [site visited Apr. 28, 2017]. Available from Internet, <URL:<https://jane.com/deal/263319/spill-resistant-flip-lid-and-yeti-accessories-30oz-many-colors>>.

United States District Court Western District of Texas Austin Division, “Second Amended Complaint,” *Yeti Coolers, LLCv. Sam’s West, Inc., and Sam’s East, Inc., and CY Top, Ltd.*, Case: 1:16-cv-00829-RP, Document #51, filed Sep. 22, 2017, 49 pages.

United States District Court Western District of Texas Austin Division, “Complaint,” *Yeti Coolers, LLCv. Costco Wholesale Corporation*, Case: 1:17-cv-07025, Document #1, filed Sep. 28, 2017, 99 pages.

United States District Court Western District of Texas Austin Division, “Complaint,” *Yeti Coolers, LLCv. Alibaba Group Holding Limited, Alibaba(China) Technology Co., Ltd., Alibaba.com Hong Kong Limited, Alibaba.com Singapore E-Commerce Private Limited, Hangzhou Alibaba Advertising Co. Ltd., and Huizhou Dashu Trading Co., Ltd.*, Case: 1:17-cv-00936, Document #1, filed Sep. 28, 2017, 272 pages.

United States District Court Western District of Texas Austin Division, “Complaint,” *Yeti Coolers, LLCv. ContextLogic, Inc. d/b/a Wish.com*, Case: 1:17-cv-00937, Document #1, filed Sep. 28, 2017, 238 pages.

United States District Court Western District of Texas Austin Division, “Complaint,” *Yeti Coolers, LLCv. Dunhuang Group, SZ Flowerfairy Technology Co., Ltd., Tan Er Pa Technology Co., Ltd., Shenzhen Great Electronic Technology Co., Ltd., and Huagong Trading Co.*, Case: 1:17-cv-00938, Document #1, filed Sep. 28, 2017, 272 pages.

United States International Trade Commission of Washington, DC, “Complaint Under Section 337 of the Tariff Act of 1930, as Amended,” *Yeti Coolers, LLCvs. Alibaba(China) Technology Co., Ltd., Alibaba Group Holding Limited, Alibaba.com Hong Kong Limited, Alibaba.com Singapore E-Commerce Private Limited, Bonanza.com, Inc., ContextLogic, Inc. d/b/a Wish, Dunhuang Group, Hangzhou Alibaba Advertising Co. Ltd., Huizhou Dashu Trading Co., Ltd, Huagong Trading Co., and Tan Er Pa Technology Co., Ltd.*, Case: 337-TA-3261, filed Sep. 28, 2017, 191.

* cited by examiner

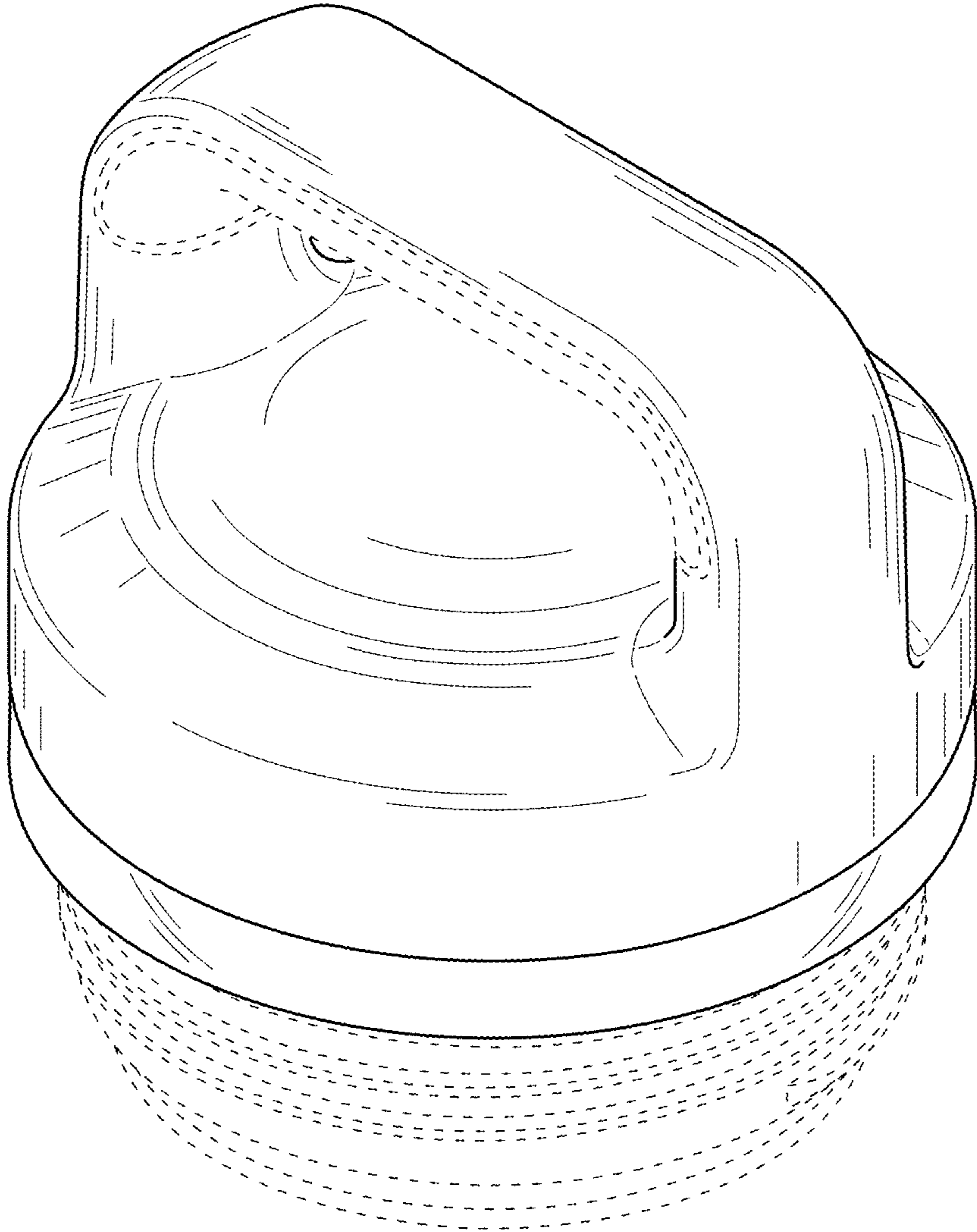


FIG. 1

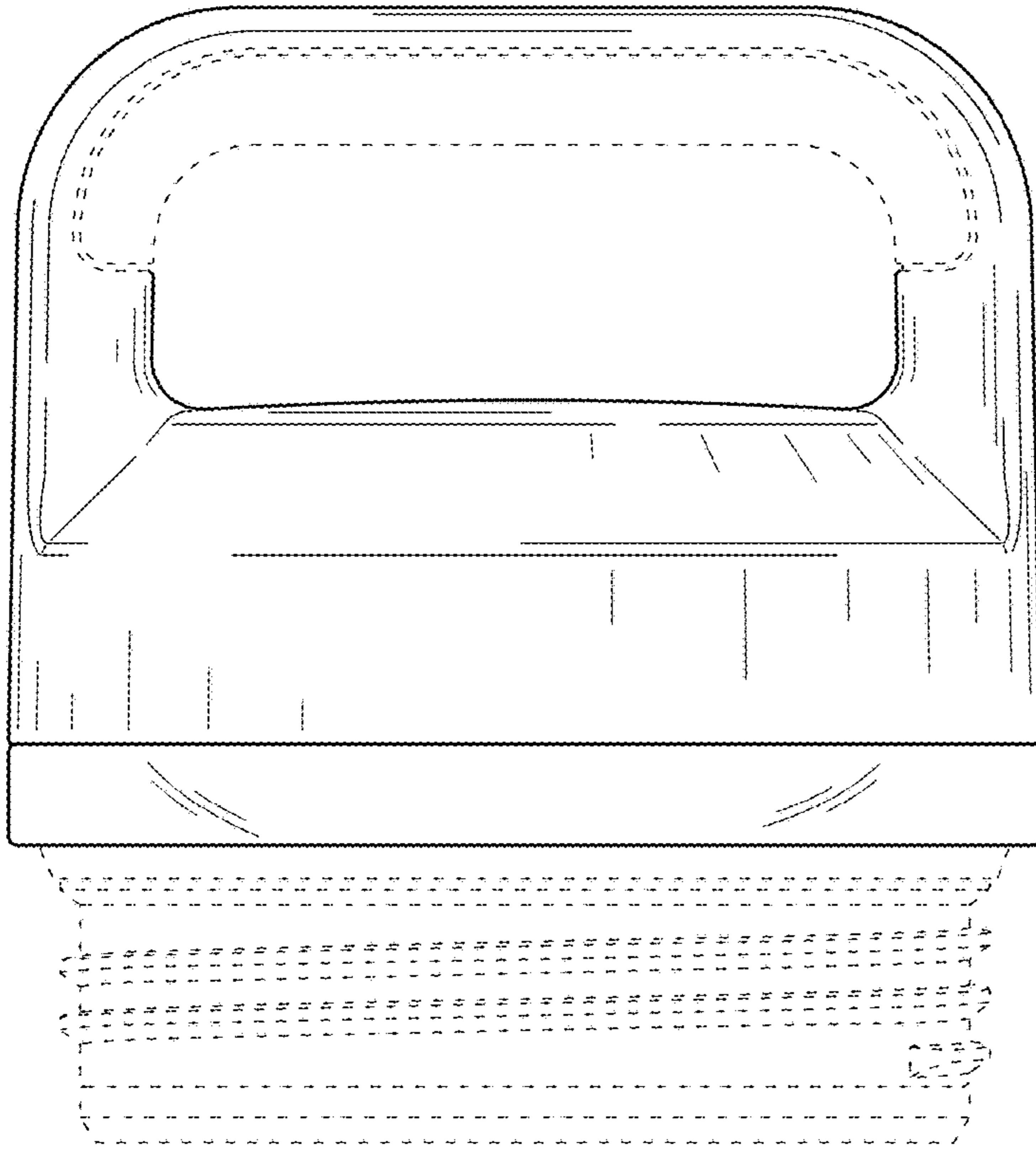


FIG. 2

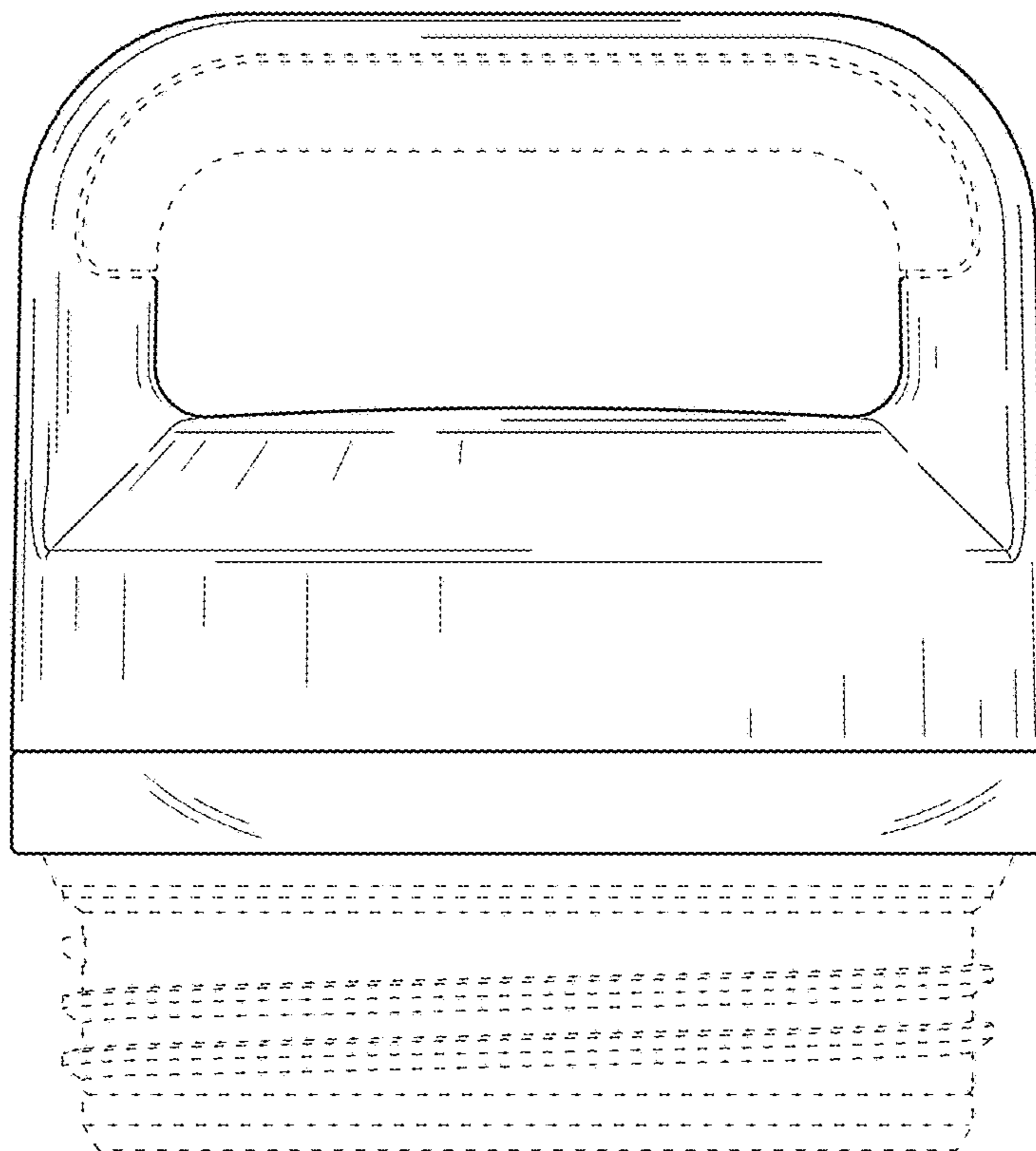


FIG. 3

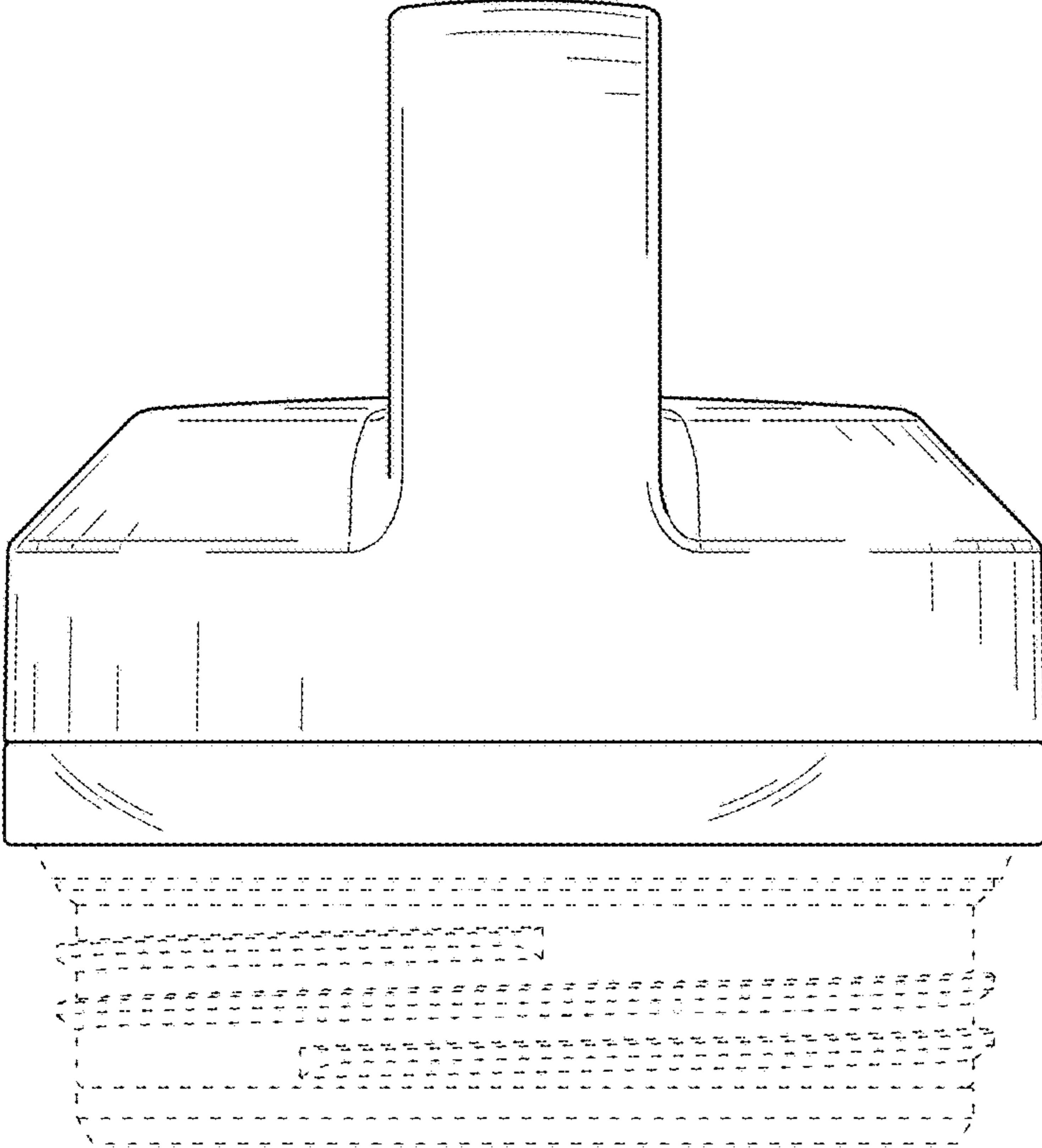


FIG. 4

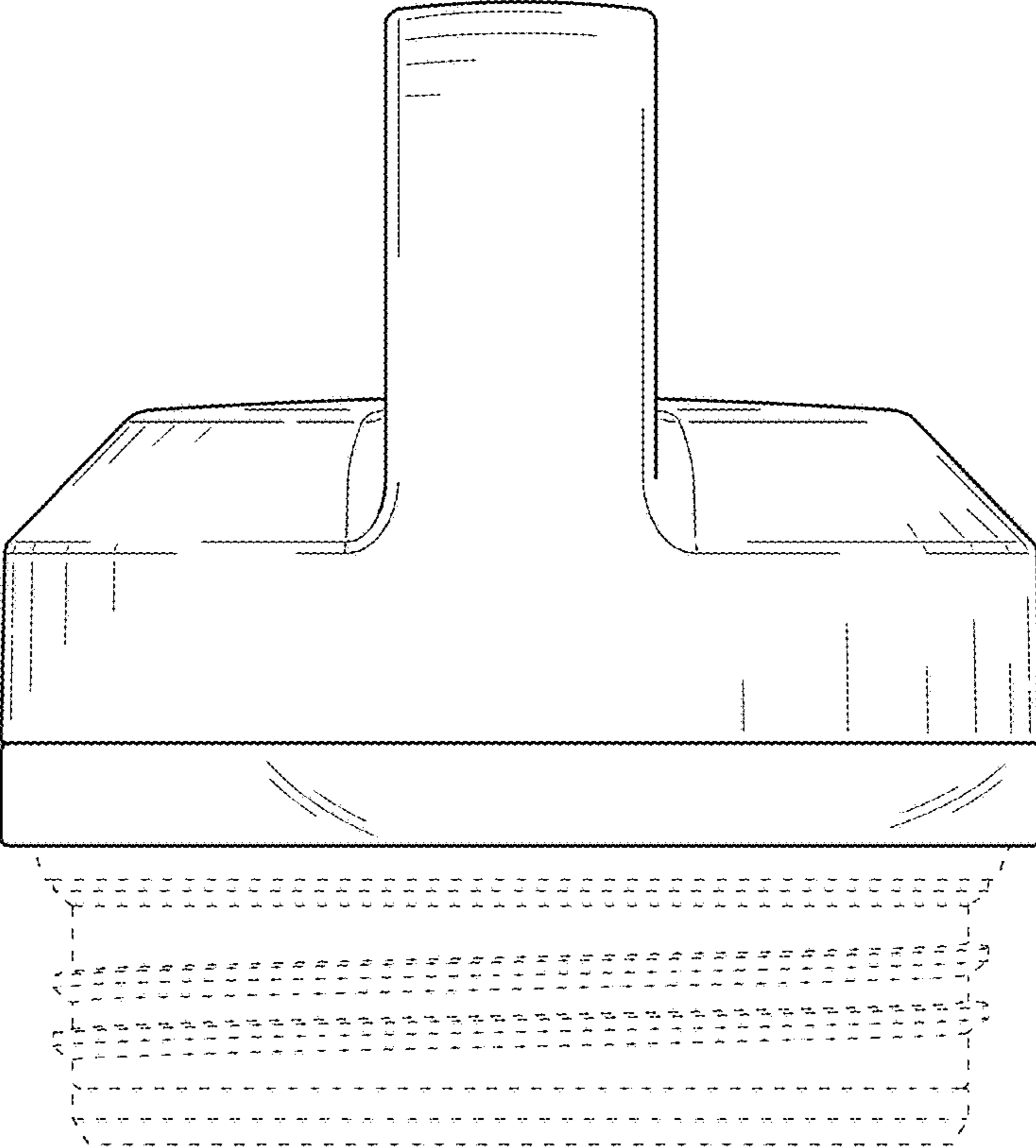


FIG. 5

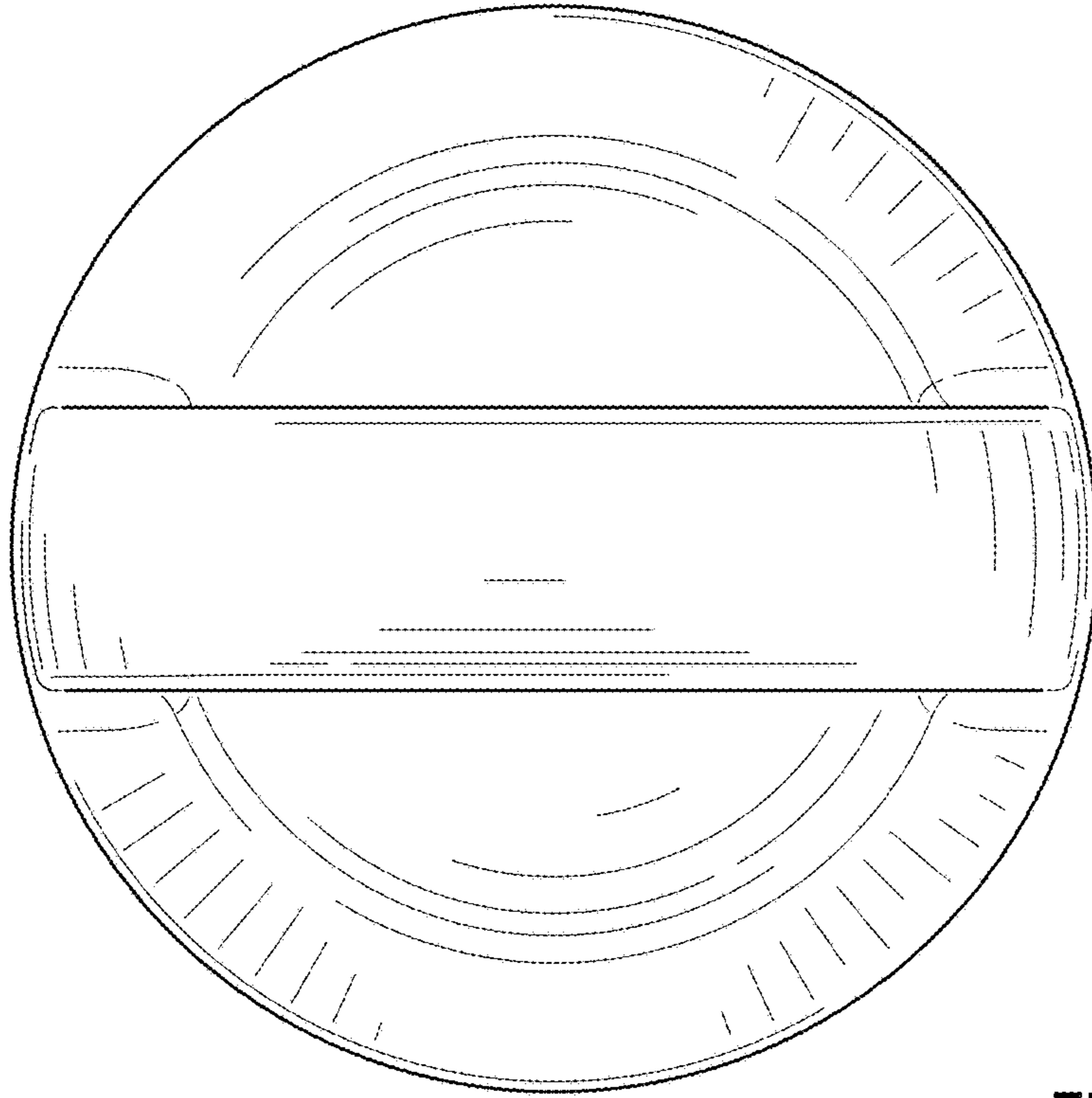


FIG. 6

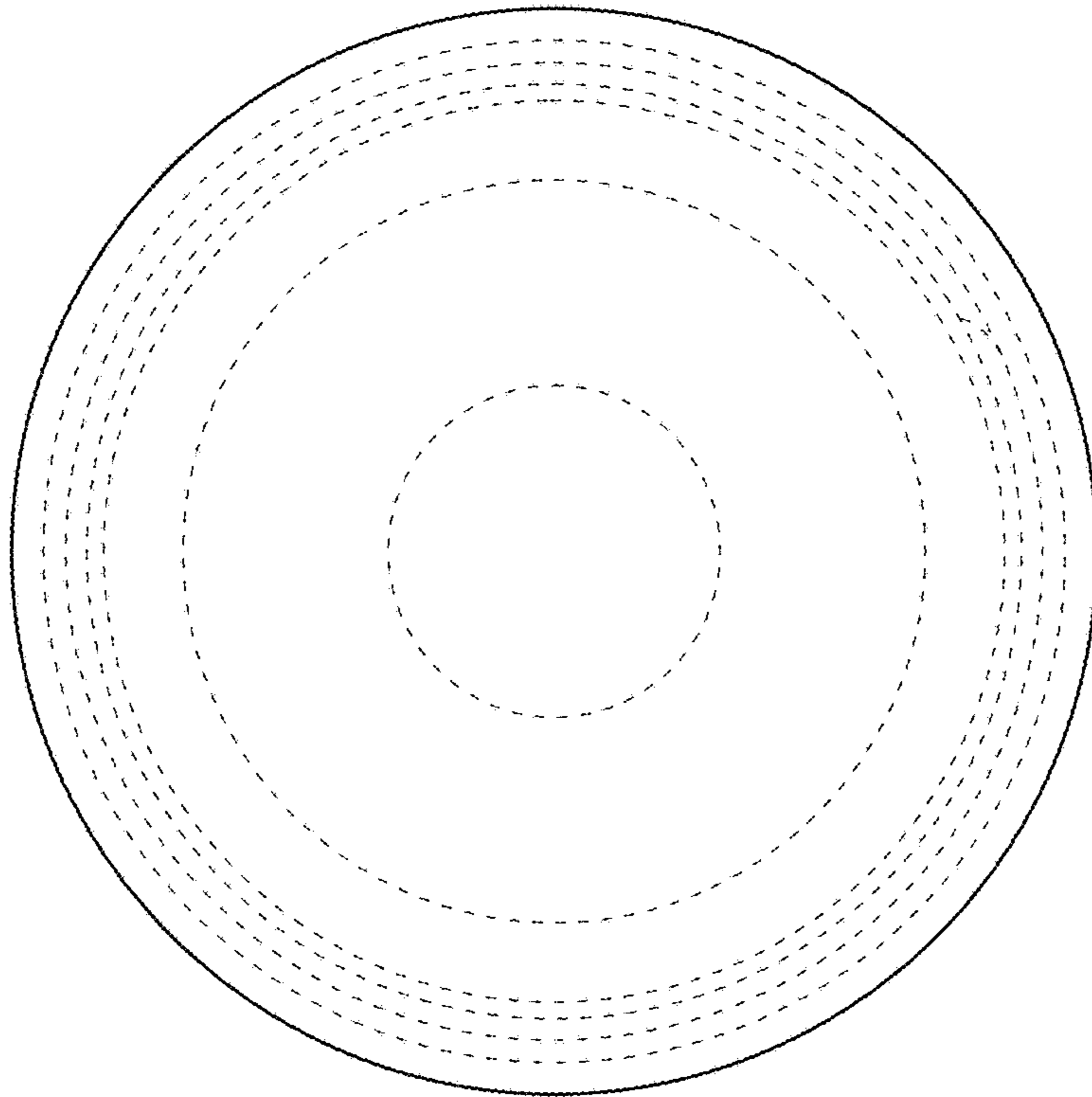


FIG. 7

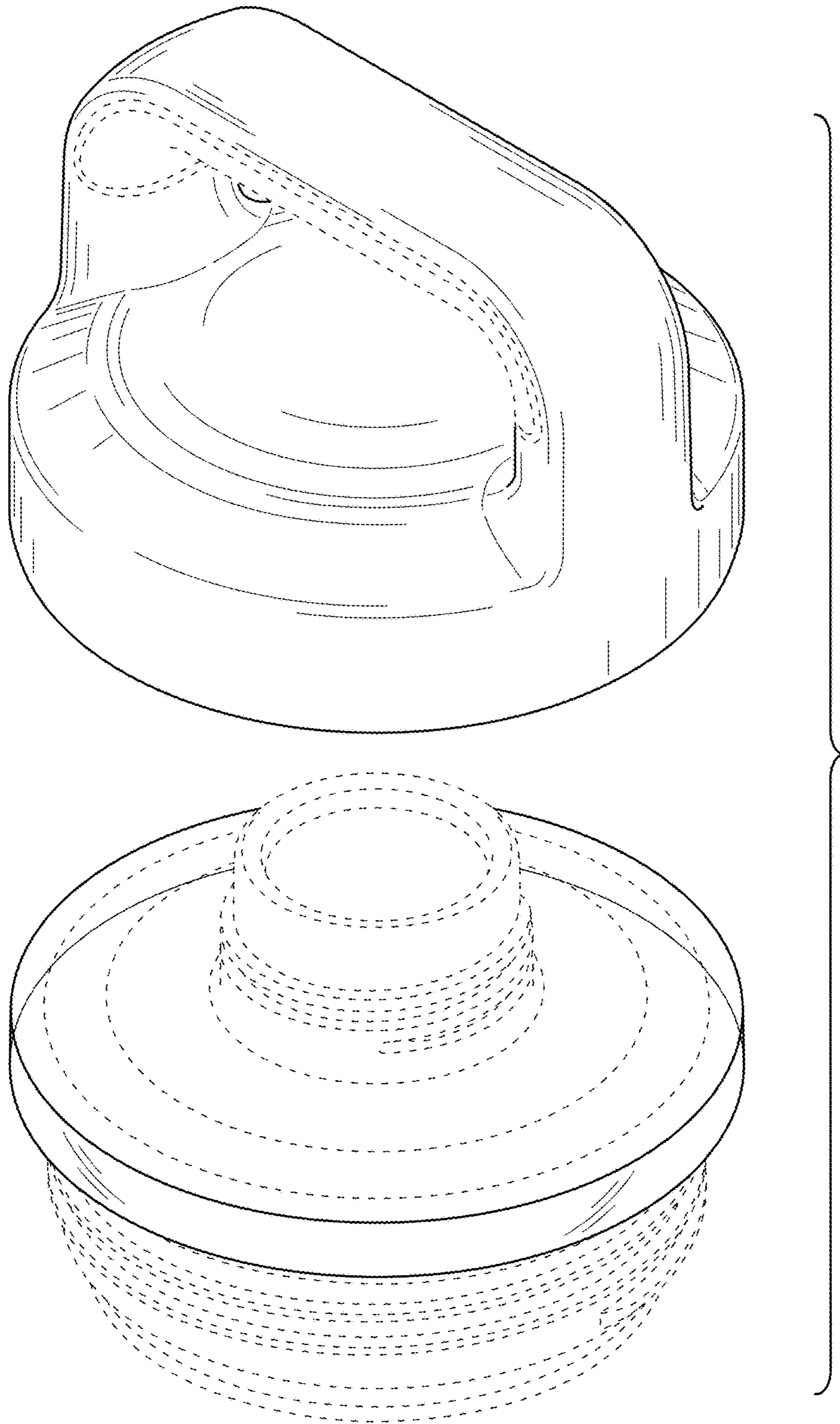


FIG. 8

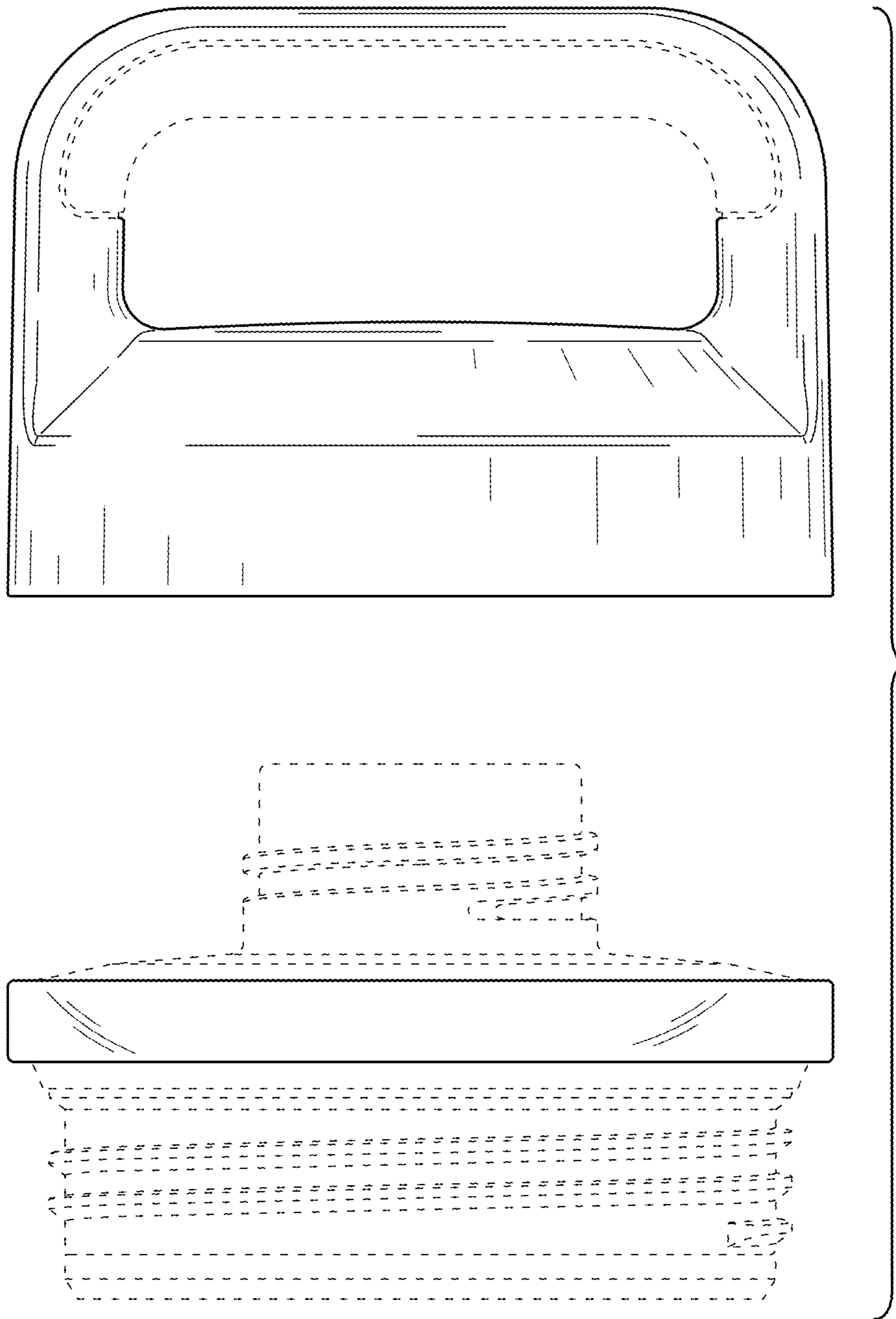


FIG. 9

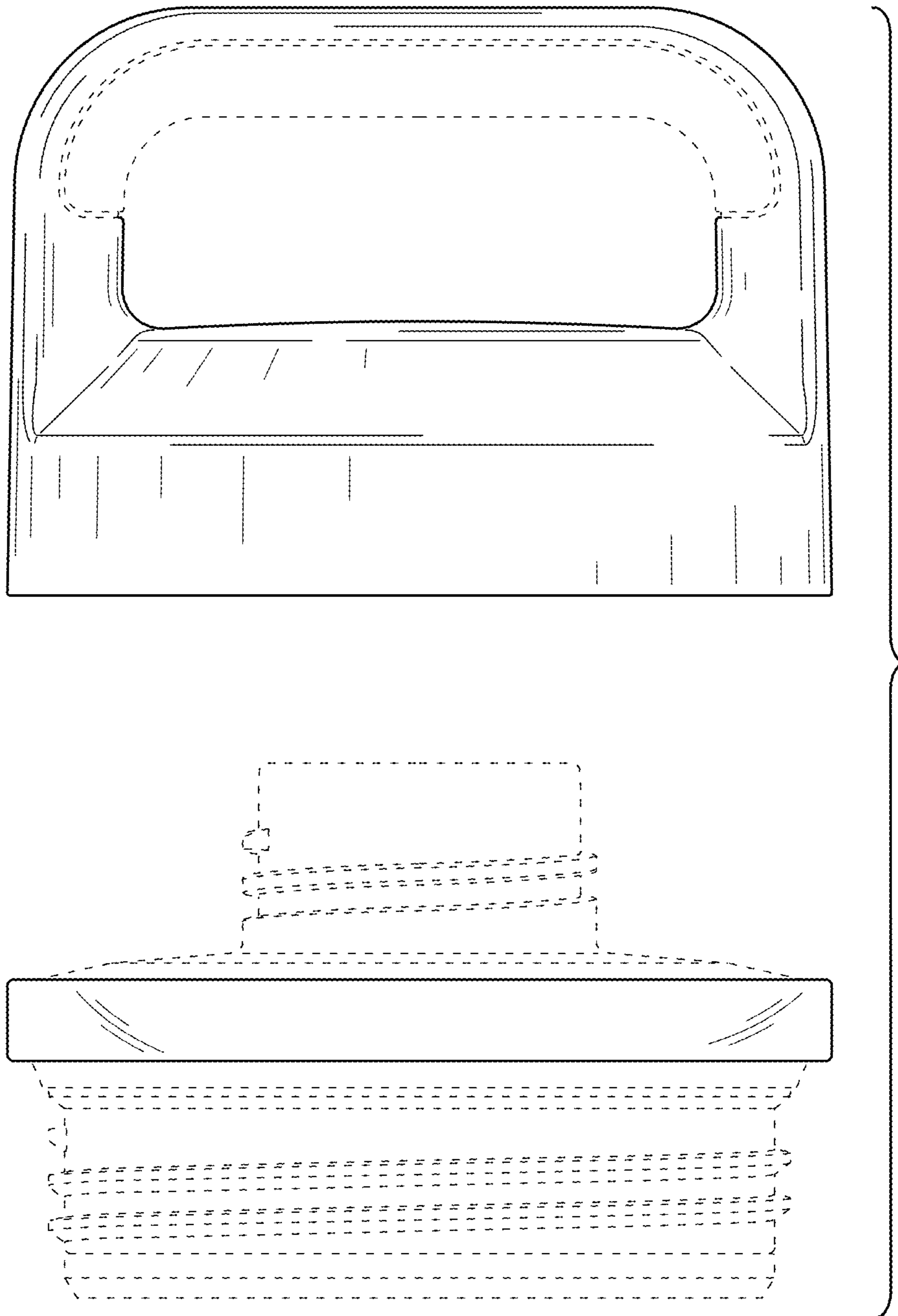


FIG. 10

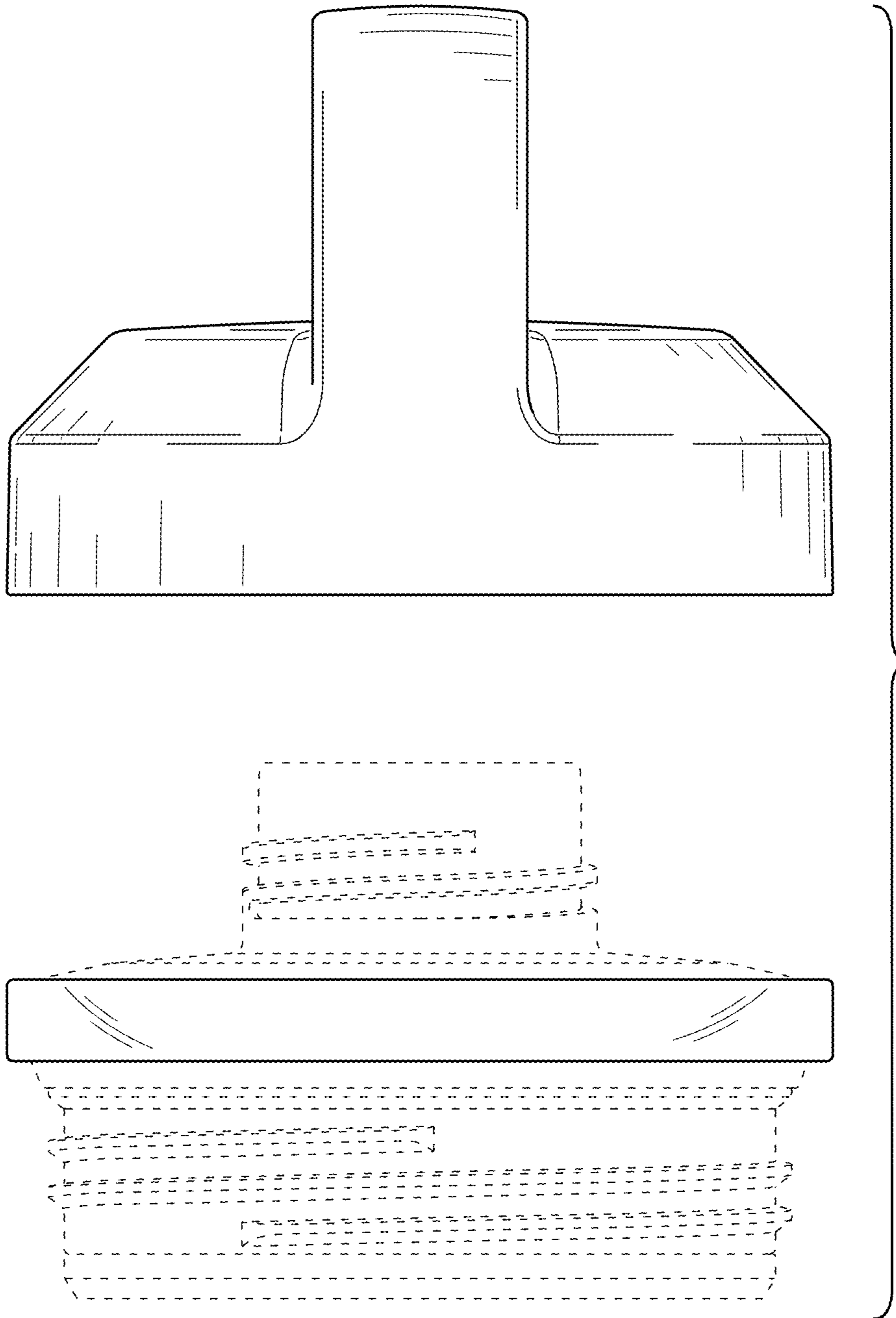


FIG. 11

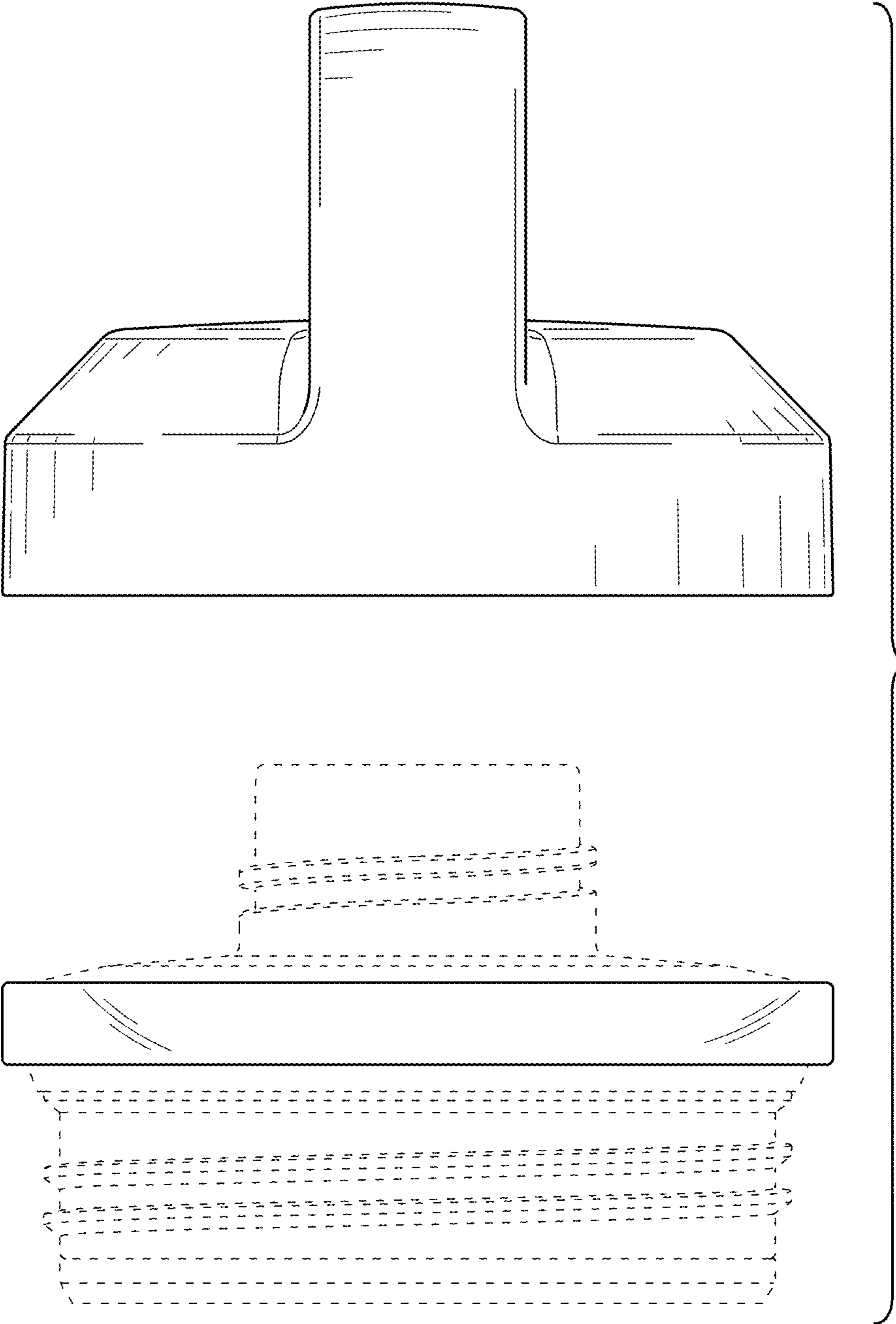


FIG. 12

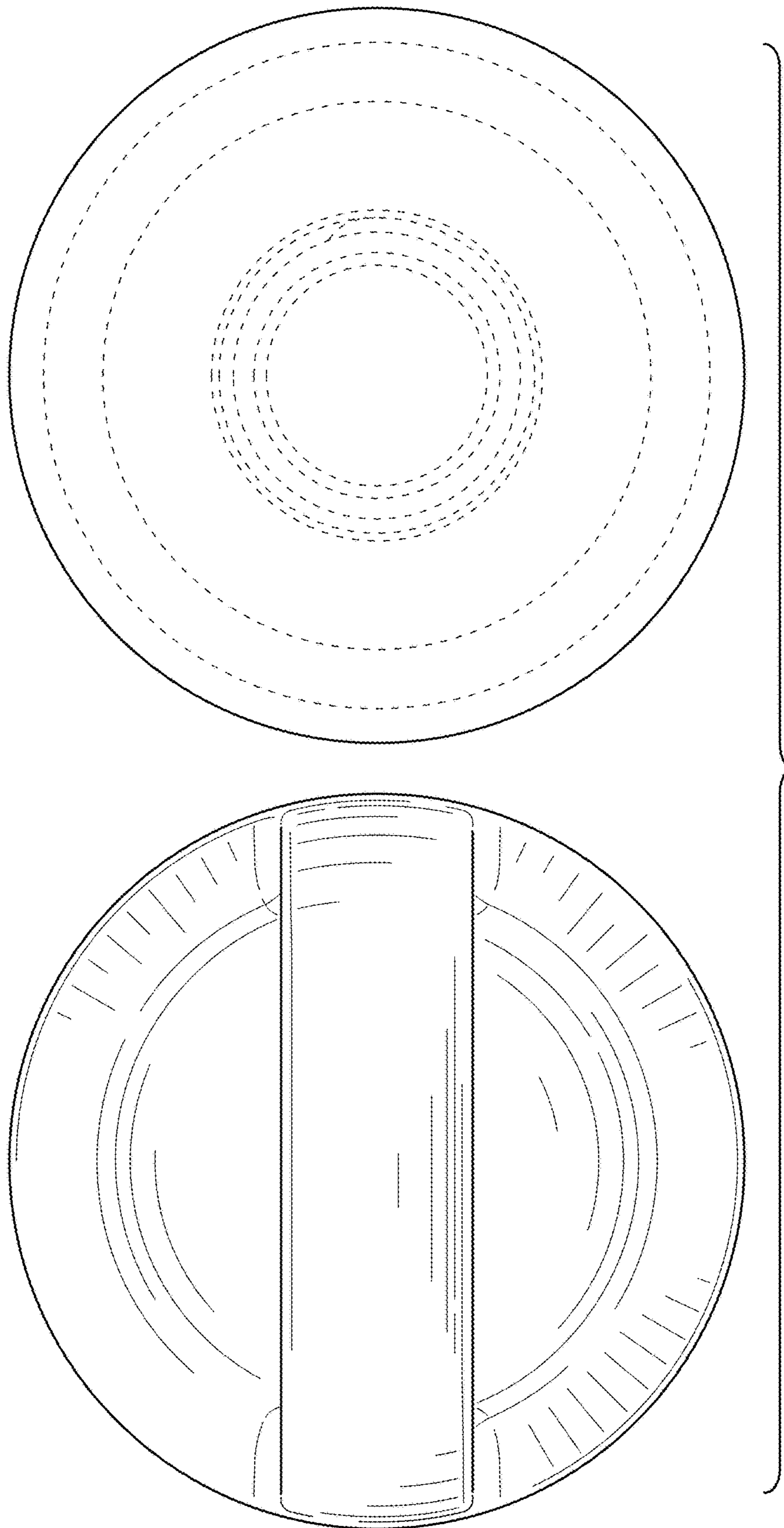


FIG. 13

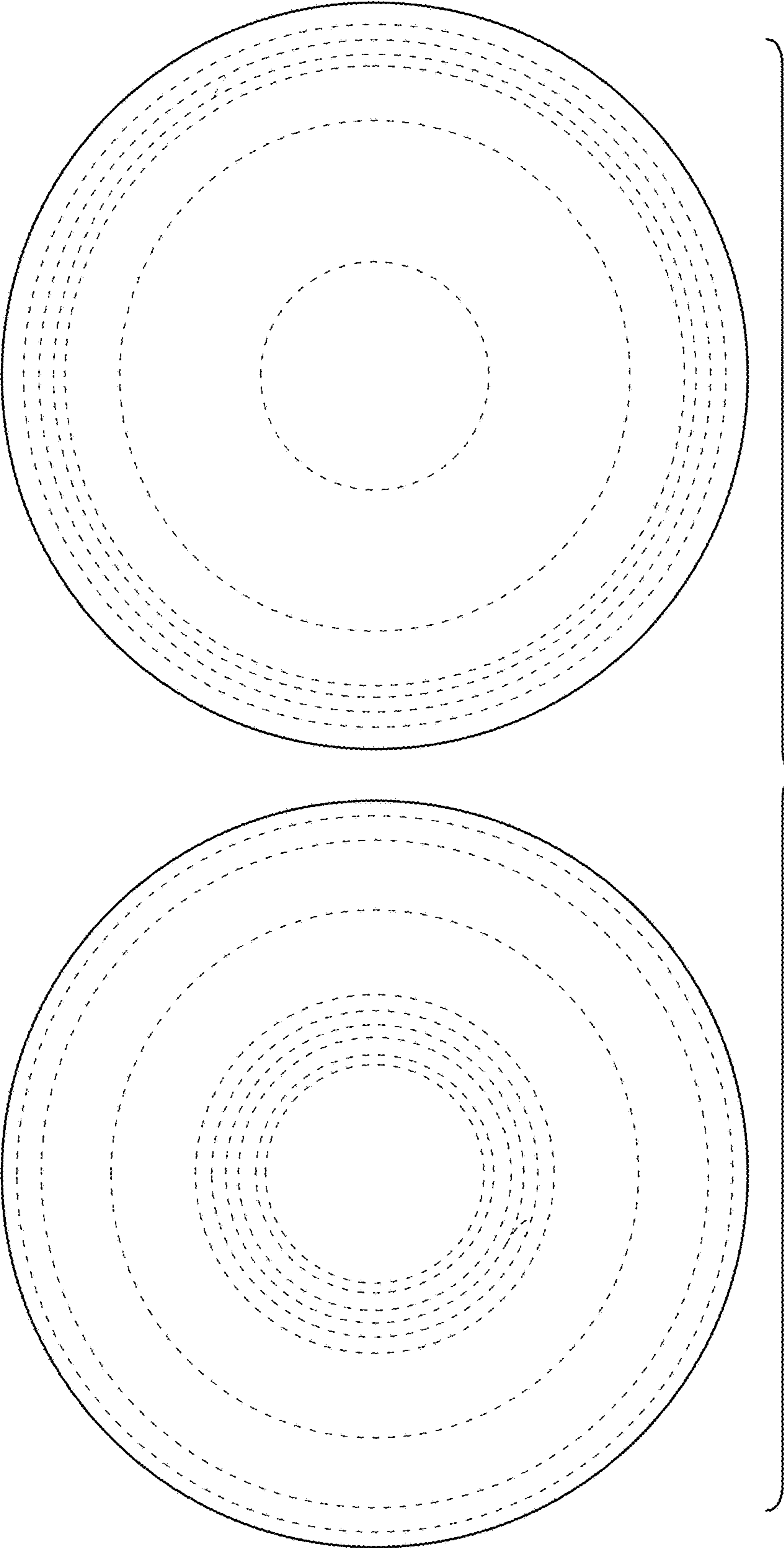


FIG. 14