



US00D816491S

(12) **United States Design Patent** (10) **Patent No.:** **US D816,491 S**  
**Schmal et al.** (45) **Date of Patent:** **\*\* May 1, 2018**

(54) **CARTON**

(71) Applicant: **Graphic Packaging International, Inc.**, Atlanta, GA (US)

(72) Inventors: **Michael R. Schmal**, Atlanta, GA (US); **O'Neal Alexander**, Covington, GA (US); **Mark Baldino**, Marietta, GA (US); **Michael Cerio**, Kennesaw, GA (US); **John Murdick Holley, Jr.**, Lawrenceville, GA (US); **Frank N. Moncrief**, Acworth, GA (US); **Raymond S. Kastanek**, Mead, CO (US); **Colin Ford**, Woodstock, GA (US)

(73) Assignee: **Graphic Packaging International, LLC**, Atlanta, GA (US)

(\*\*) Term: **15 Years**

(21) Appl. No.: **29/606,887**

(22) Filed: **Jun. 8, 2017**

**Related U.S. Application Data**

(60) Division of application No. 29/514,236, filed on Jan. 9, 2015, now Pat. No. Des. 792,213, which is a (Continued)

(51) **LOC (11) Cl.** ..... **09-07**

(52) **U.S. Cl.**  
USPC ..... **D9/434**; D9/430; D9/433

(58) **Field of Classification Search**  
USPC ..... D9/414-419, 420-423, 430-434, D9/721-722; D3/290, 304, 305, 315; D20/10, 22, 27, 40, 42

(Continued)

(56) **References Cited**

U.S. PATENT DOCUMENTS

1,527,204 A 2/1925 McCormick  
2,014,461 A 7/1935 Anton

(Continued)

FOREIGN PATENT DOCUMENTS

BE 672 492 A 3/1966  
EP 0 024 782 A1 3/1981

(Continued)

OTHER PUBLICATIONS

International Search Report and Written Opinion for PCT/US2012/029022 dated Sep. 26, 2012.

(Continued)

*Primary Examiner* — Vy N Koenig

(74) *Attorney, Agent, or Firm* — Womble Bond Dickinson (US) LLP

(57) **CLAIM**

The ornamental design for a carton, as shown and described.

**DESCRIPTION**

FIG. 1 is a plan view of a carton in a flat, blank configuration showing our new design.

FIG. 2 is a perspective view of a carton in an assembled configuration showing our new design.

FIG. 3 is a bottom view of the carton of FIG. 2.

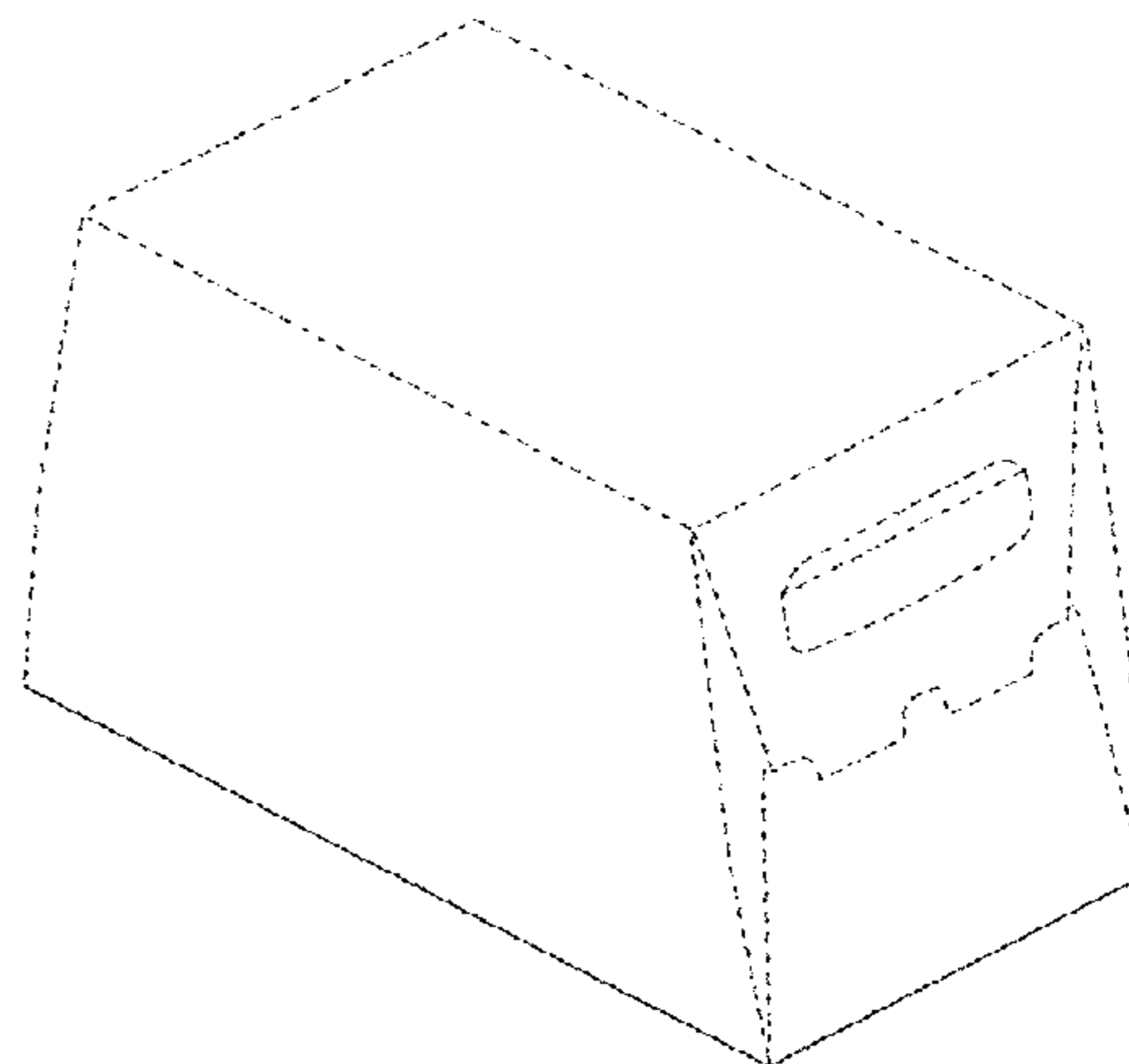
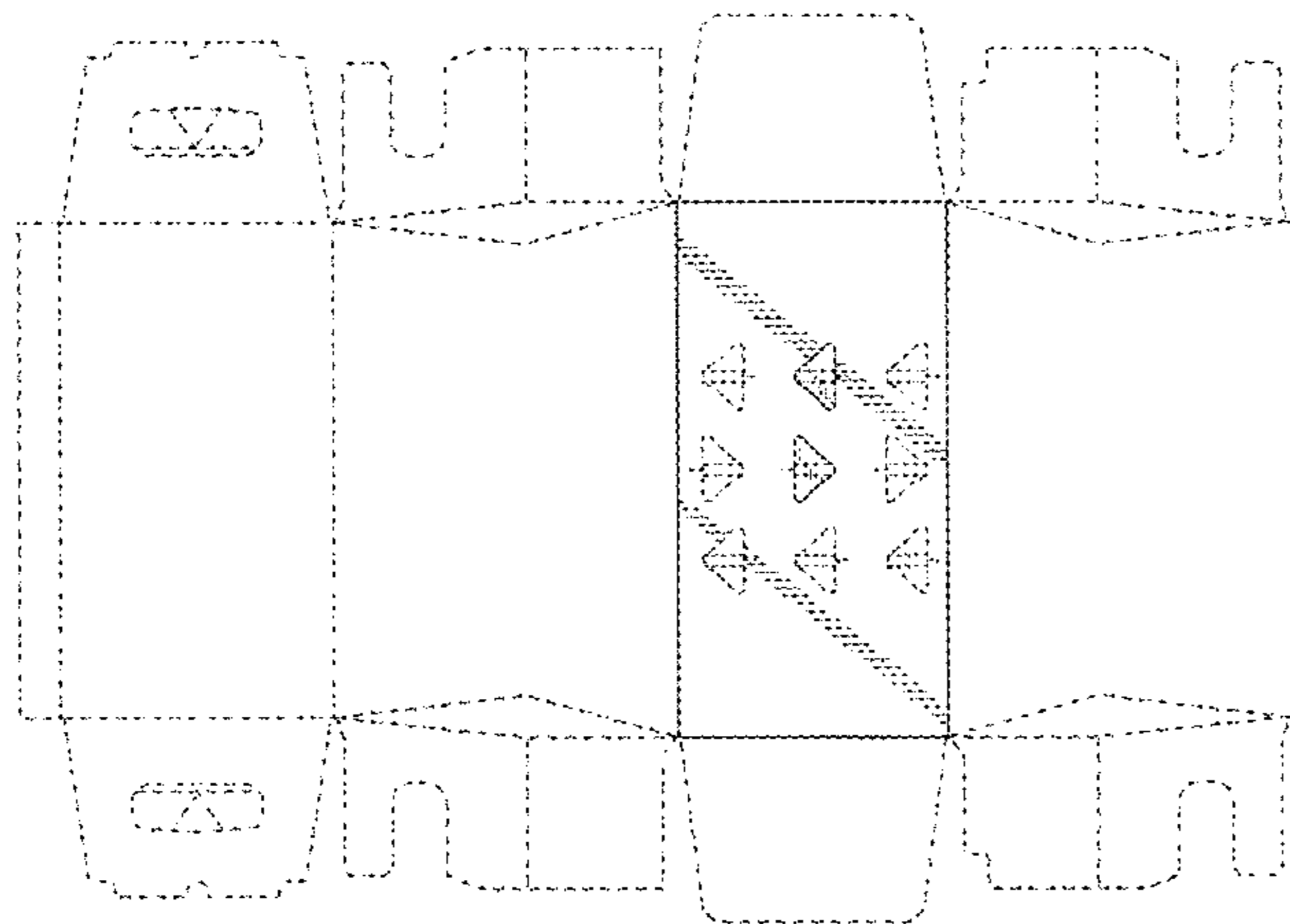
FIG. 4 is a top view of the carton of FIG. 2

FIG. 5 is a front elevation view of the carton of FIG. 2, the back elevation view being identical to the front elevation view; and,

FIG. 6 is a left side elevation view of the carton of FIG. 2, the right side elevation view being identical to the left side elevation view.

The broken lines shown herein depict portions of the carton that form no part of the claimed design.

**1 Claim, 5 Drawing Sheets**



**Related U.S. Application Data**

continuation of application No. 13/419,740, filed on Mar. 14, 2012, now Pat. No. 9,284,084.

(58) **Field of Classification Search**

CPC ..... B65D 5/00; B65D 5/0015; B65D 5/061; B65D 5/18; B65D 5/20; B65D 5/32; B65D 5/321; B65D 5/322

See application file for complete search history.

(56) **References Cited**

U.S. PATENT DOCUMENTS

D112,844 S	1/1939	Medoff	3,760,555 A	9/1973	Calvert
2,196,502 A	4/1940	Kells	3,767,042 A	10/1973	Ganz
2,331,137 A	10/1943	Rous	3,788,538 A	1/1974	Kuenzi
2,877,894 A	3/1959	Forrer	3,797,729 A	3/1974	Holmes
2,899,051 A	8/1959	Barnby	3,815,320 A	6/1974	Ganz
2,926,782 A	3/1960	Andre	3,897,872 A	8/1975	Graser
2,933,867 A	4/1960	Gentry	3,921,895 A	11/1975	Ziche
2,974,454 A	3/1961	Andre et al.	3,923,235 A	12/1975	Roccaforte
3,013,796 A	12/1961	Currie, Jr. et al.	3,940,907 A	3/1976	Ganz
3,015,923 A	1/1962	Dotzenroth	3,942,631 A	3/1976	Sutherland et al.
3,016,663 A	1/1962	Holmes	3,952,633 A	4/1976	Nakai
3,032,945 A	5/1962	Currie, Jr. et al.	3,963,121 A	6/1976	Kipp
3,034,270 A	5/1962	Nigrelli et al.	3,977,518 A	8/1976	Arneson
3,045,401 A	7/1962	Ganz	3,986,319 A	10/1976	Puskarz
3,108,414 A	10/1963	Schleicher et al.	4,012,887 A	3/1977	Calvert et al.
3,128,034 A	4/1964	Weiss	4,029,204 A	6/1977	Manizza
3,142,378 A	7/1964	Lengsfeld, Jr.	4,034,852 A	7/1977	Forrer
3,152,688 A	10/1964	Mahon	4,056,223 A	11/1977	Williams
3,166,879 A	1/1965	Chidsey, Jr. et al.	4,093,068 A	6/1978	Smrt
3,167,214 A	1/1965	Mahon	4,093,116 A	6/1978	Watkins et al.
3,176,902 A	4/1965	Champlin	4,095,693 A	6/1978	Killy
3,186,136 A	6/1965	Ganz	4,095,735 A	6/1978	Stone
3,190,193 A	6/1965	Randles, Jr.	4,101,069 A	7/1978	Wood
3,196,588 A	7/1965	Chidsey, Jr.	4,131,230 A	12/1978	Koehlinger et al.
3,197,937 A	8/1965	Ganz	4,146,168 A	3/1979	Hartline
3,203,153 A	8/1965	Wood	4,184,626 A	1/1980	Graser
3,206,097 A	9/1965	Holmes	4,185,744 A	1/1980	Peterson
3,229,892 A	1/1966	Weiss	4,186,867 A	2/1980	Wood
3,252,649 A	5/1966	Graser et al.	4,202,446 A	5/1980	Sutherland
3,253,381 A	5/1966	Wood	4,219,147 A	8/1980	Kohler
3,255,919 A	6/1966	Koolnis	4,234,081 A	11/1980	Champlin
RE26,083 E	9/1966	Forrer	D257,718 S *	12/1980	Dutcher ..... D9/432
3,300,947 A	1/1967	Fahrenbach	4,256,226 A	3/1981	Stone
3,306,519 A	2/1967	Wood	4,274,187 A	6/1981	Painter et al.
3,332,199 A	7/1967	Wong	D260,000 S *	7/1981	Roccaforte ..... D9/433
3,337,043 A	8/1967	Parker	4,285,185 A	8/1981	Collura et al.
D208,591 S	9/1967	Bozek	4,295,562 A	10/1981	Wood
3,355,012 A	11/1967	Weiss	D263,122 S *	2/1982	Bonczyk ..... D9/433
D209,786 S	1/1968	Schwartz	4,324,328 A	4/1982	Champlin
3,367,557 A	2/1968	Farquhar	4,328,891 A	5/1982	Elward
3,385,429 A	5/1968	Becker	4,330,079 A	5/1982	Wood
3,386,570 A	6/1968	Lock	4,338,760 A	7/1982	Kuhn
3,386,643 A	6/1968	Gentry	4,373,630 A	2/1983	Oliff
3,387,428 A	6/1968	Currie, Jr.	4,394,903 A	7/1983	Bakx
3,415,033 A	12/1968	Perry et al.	4,396,118 A	8/1983	Watson
3,432,029 A	3/1969	Brown	4,398,631 A	8/1983	Graser
3,474,590 A	10/1969	Ganz	4,421,232 A	12/1983	Konaka
3,478,951 A	11/1969	Graser	4,424,901 A	1/1984	Lanier
3,517,876 A	6/1970	Stout	4,437,569 A	3/1984	Sorenson
D219,135 S	11/1970	Horblitt	4,437,606 A	3/1984	Graser
3,543,473 A	12/1970	Cato	4,438,843 A	3/1984	Graser
3,543,474 A	12/1970	Hasselo	4,463,852 A	8/1984	Stone
3,572,003 A	3/1971	Perry et al.	4,465,180 A	8/1984	Klygis
3,604,614 A	9/1971	Sternfeld	4,470,503 A	9/1984	Stone
3,627,193 A	12/1971	Heimes	D275,837 S	10/1984	Poelvoorde
3,640,448 A	2/1972	Wood	4,498,581 A	2/1985	Dutcher
3,669,342 A	6/1972	Funkhouser	4,498,618 A	2/1985	Sutherland
3,670,950 A	6/1972	Rossi	4,505,696 A	3/1985	Wright et al.
3,679,121 A	7/1972	Morgese	4,512,135 A	4/1985	Scott et al.
3,687,282 A	8/1972	Owen	4,512,755 A	4/1985	Stone
3,701,231 A	10/1972	Standley	4,533,047 A	8/1985	Calvert
3,715,029 A	2/1973	Wood	4,545,485 A	10/1985	Oliff
3,747,801 A	7/1973	Graser	4,550,853 A *	11/1985	Grati ..... B65D 5/00 229/122
			4,571,923 A	2/1986	Le Bras
			4,574,997 A	3/1986	Ikeda
			4,597,523 A	7/1986	Schuster
			4,600,140 A	7/1986	Milliens
			4,612,753 A	9/1986	Taylor et al.
			4,708,284 A	11/1987	Sutherland et al.
			4,723,699 A	2/1988	Brown et al.
			D297,414 S	8/1988	Feuerstein
			4,773,533 A	9/1988	Greene
			4,883,168 A	11/1989	Dreyfus
			4,890,737 A	1/1990	Kadleck et al.
			4,890,738 A	1/1990	Carer
			4,901,849 A	2/1990	Wilson
			4,919,266 A	4/1990	McIntosh, Jr. et al.
			4,925,019 A	5/1990	Ganz et al.

(56)

References Cited

U.S. PATENT DOCUMENTS

5,002,186	A	3/1991	Cooper	6,179,115	B1	1/2001	De Guglielmo et al.
5,002,225	A	3/1991	Bienaime	6,186,931	B1	2/2001	Calvert et al.
D316,672	S	5/1991	Wood	6,189,687	B1	2/2001	Bakx
5,020,668	A	6/1991	Schuster	6,213,297	B1	4/2001	Gale
5,022,525	A	6/1991	Schuster	6,223,892	B1	5/2001	Bakx
5,031,770	A	7/1991	Chaussadas	6,241,083	B1	6/2001	Harrelson
5,044,503	A	9/1991	Wein	6,247,585	B1	6/2001	Holley, Jr.
5,080,280	A	1/1992	Kraus	6,273,330	B1	8/2001	Oliff et al.
5,094,347	A	3/1992	Schuster	6,295,789	B1	10/2001	Muller
5,107,986	A	4/1992	Cooper	6,315,111	B1	11/2001	Sutherland
5,131,588	A	7/1992	Oliff	6,315,123	B1	11/2001	Ikeda
5,140,803	A	8/1992	Biggs et al.	6,378,697	B1	4/2002	Sutherland
D329,199	S	9/1992	Corso	D462,264	S	9/2002	Barr
5,145,067	A	9/1992	Carver	6,520,316	B2	2/2003	De Guglielmo et al.
5,158,177	A	10/1992	Negelen et al.	6,527,102	B2	3/2003	De Guglielmo et al.
5,167,325	A	12/1992	Sykora	6,527,108	B1	3/2003	Blin et al.
5,246,112	A	9/1993	Stout et al.	6,536,656	B2	3/2003	Auclair et al.
5,297,673	A	3/1994	Sutherland	6,615,984	B2	9/2003	Saulas et al.
D346,326	S	4/1994	Price, Sr.	6,662,933	B2	12/2003	De Guglielmo et al.
5,310,050	A	5/1994	Sutherland	6,669,083	B2	12/2003	Bates
5,311,984	A	5/1994	Harris	6,695,137	B2	2/2004	Jones et al.
5,328,080	A	7/1994	Holley, Jr.	6,877,600	B2	4/2005	Sutherland
5,360,104	A	11/1994	Sutherland	6,896,129	B2	5/2005	Marco
5,360,113	A	11/1994	Harris	6,896,130	B2	5/2005	Theelen
5,385,234	A	1/1995	Stout et al.	6,942,140	B2	9/2005	Merzeau
5,390,784	A	2/1995	Sutherland	6,948,293	B1	9/2005	Eckermann et al.
5,390,848	A	2/1995	Gungner et al.	6,983,874	B2	1/2006	Bakx
5,402,889	A	4/1995	Hermann et al.	6,997,372	B2	2/2006	Gasparowicz
5,437,363	A	8/1995	Gungner	7,028,839	B2	4/2006	Belloli et al.
5,439,112	A	8/1995	De Guglielmo et al.	7,048,113	B2	5/2006	Gomes
5,443,203	A	8/1995	Sutherland	7,055,671	B2	6/2006	De Guglielmo et al.
5,472,090	A	12/1995	Sutherland	7,063,208	B2	6/2006	Lebras
5,476,217	A	12/1995	Moncrief et al.	7,070,045	B2	7/2006	Theelen
5,484,059	A	1/1996	Sutherland	7,073,705	B2	7/2006	Auclair et al.
5,485,915	A	1/1996	Harris	7,134,547	B2	11/2006	Auclair
5,509,549	A	4/1996	Marandol	D535,877	S	1/2007	Tanninen
5,520,283	A	5/1996	Sutherland	7,175,020	B2	2/2007	Sutherland et al.
5,524,756	A	6/1996	Sutherland	7,234,591	B2	6/2007	LeBras et al.
5,549,197	A	8/1996	Sutherland	7,278,538	B2	10/2007	Charguearud
5,577,365	A	11/1996	Reuteler	7,374,038	B2	5/2008	Smalley
5,579,904	A	12/1996	Holley, Jr.	7,427,010	B2	9/2008	Sutherland
5,582,289	A	12/1996	Wright	7,467,729	B2	12/2008	Lown et al.
5,592,804	A	1/1997	Reuteler	7,699,215	B2	4/2010	Spivey, Sr.
5,595,291	A	1/1997	Negelen	7,703,666	B2	4/2010	Hand et al.
5,595,292	A	1/1997	Bates	7,721,878	B2	5/2010	Requena
5,595,299	A	1/1997	LeBras	7,743,968	B2	6/2010	Theelen
5,605,228	A	2/1997	Baxter	7,780,067	B2	8/2010	Holley, Jr.
5,620,094	A	4/1997	Naumann	7,913,844	B2	3/2011	Spivey, Sr.
5,638,659	A	6/1997	Moncrief et al.	8,056,709	B2	11/2011	Sutherland
5,638,956	A	6/1997	Sutherland	8,061,587	B2	11/2011	Blin
5,653,340	A	8/1997	Daniel	8,070,052	B2	12/2011	Spivey, Sr.
5,664,401	A	9/1997	Portrait et al.	8,079,471	B2	12/2011	Tokarski et al.
5,669,203	A	9/1997	Muller	D652,300	S	1/2012	Anderson
5,671,587	A	9/1997	Robinson	D658,060	S	4/2012	Anderson
5,671,845	A	9/1997	Harris	8,162,135	B2	4/2012	Oliveira
D385,791	S	11/1997	Forsyth	8,376,214	B2	2/2013	Spivey et al.
5,682,984	A	11/1997	Hoell	8,453,919	B2	6/2013	Eckermann
5,699,957	A	12/1997	Blin et al.	D686,913	S	7/2013	Kirk
5,765,685	A	6/1998	Roosa	8,496,162	B2	7/2013	Hettinger
5,775,572	A	7/1998	Oliff	8,523,048	B1	9/2013	Spiegelman
5,778,630	A	7/1998	Portrait et al.	D696,108	S	12/2013	De Pra
5,927,053	A	7/1999	Donovan et al.	8,978,889	B2	3/2015	Fitzwater et al.
5,941,389	A	8/1999	Gomes	9,022,277	B2	5/2015	Hendricks
5,947,367	A	9/1999	Miller et al.	D740,116	S	10/2015	Sims
5,975,286	A	11/1999	Oliff	9,284,090	B2	3/2016	Lettre
5,975,287	A	11/1999	Negelen	D753,485	S	4/2016	Marsh
5,979,645	A	11/1999	Holley, Jr.	9,701,436	B2*	7/2017	Holley, Jr. .... B65D 5/50
5,984,086	A	11/1999	Fousghee et al.	2001/0017315	A1	8/2001	Baroudi
6,044,627	A	4/2000	De Guglielmo	2004/0000494	A1	1/2004	Sutherland
D424,435	S	5/2000	Koehn	2004/0164135	A1	8/2004	Gong et al.
D427,056	S	6/2000	Irace	2007/0056869	A1	3/2007	Tokarski
6,149,002	A	11/2000	Tiramani et al.	2007/0181658	A1	8/2007	Sutherland
6,155,412	A	12/2000	LeBras et al.	2007/0215682	A1	9/2007	Bates et al.
6,170,741	B1	1/2001	Skolik et al.	2007/0277481	A1	12/2007	LeBras
6,173,889	B1	1/2001	Sutherland	2008/0093366	A1	4/2008	McKahan
				2008/0203143	A1	8/2008	Holley
				2008/0257942	A1	10/2008	LeBras
				2009/0032425	A1	2/2009	Perkinson
				2009/0065559	A1	3/2009	Parkes

(56)

References Cited

U.S. PATENT DOCUMENTS

2009/0101526 A1 4/2009 Sutherland et al.  
 2009/0236408 A1 9/2009 Spivey, Sr. et al.  
 2010/0108544 A1 5/2010 Biundo  
 2010/0140336 A1 6/2010 Ho Fung  
 2011/0011924 A1 1/2011 Spivey, Sr. et al.  
 2011/0065558 A1 3/2011 Smalley  
 2011/0233091 A1 9/2011 Block et al.  
 2011/0284622 A1 11/2011 Boukredine  
 2011/0290867 A1 12/2011 Schemmel et al.  
 2012/0279897 A1 11/2012 Schmal et al.  
 2013/0097974 A1 4/2013 Disrud et al.  
 2013/0214037 A1\* 8/2013 Holley, Jr. .... B65D 5/4608  
 229/117.17  
 2013/0220873 A1 8/2013 Holley, Jr.  
 2013/0284628 A1 10/2013 Moncrief  
 2014/0021071 A1\* 1/2014 Alexander ..... B65B 5/024  
 206/139  
 2014/0021247 A1\* 1/2014 Holley, Jr. .... B65D 5/4608  
 229/117.09  
 2014/0260095 A1 9/2014 Oliveira  
 2014/0305825 A1 10/2014 Holley, Jr.  
 2014/0305826 A1 10/2014 Holley, Jr.  
 2014/0332428 A1\* 11/2014 Holley, Jr. .... B65D 71/38  
 206/433  
 2014/0332429 A1\* 11/2014 Boersma ..... B65D 71/38  
 206/433  
 2015/0001116 A1 1/2015 Schmal et al.  
 2015/0048150 A1 2/2015 Bahr  
 2015/0158648 A1\* 6/2015 Holley, Jr. .... B65D 5/32  
 206/433  
 2015/0246761 A1\* 9/2015 Holley, Jr. .... B65D 71/36  
 206/433  
 2016/0052676 A1\* 2/2016 Holley, Jr. .... B31B 3/26  
 229/117.16  
 2016/0122074 A1\* 5/2016 Spivey, Sr. .... B65B 43/265  
 229/117.16  
 2017/0291732 A1\* 10/2017 Holley, Jr. .... B65D 5/5019

FOREIGN PATENT DOCUMENTS

EP 332 153 B1 9/1991  
 EP 630 825 A2 12/1994  
 EP 0 541 334 B1 4/1995  
 EP 0 715 596 B1 6/1995  
 EP 0 820 404 91 4/1996  
 EP 0 901 969 B1 4/2000  
 EP 1 065 151 A1 1/2001  
 EP 0 954 470 B1 9/2002  
 EP 1 103 481 B1 8/2004  
 EP 1 010 637 B1 9/2004  
 EP 1 125 858 B1 9/2004  
 EP 1 381 545 B1 10/2005  
 EP 1 334 043 B1 12/2005  
 EP 1 151 935 B1 8/2006  
 EP 1 513 737 B1 11/2006  
 EP 2 055 648 A1 5/2009  
 EP 1 749 755 B1 12/2011  
 FR 2584677 1/1987  
 FR 2619363 A1 2/1989  
 FR 2641523 A1 7/1990  
 FR 2684078 A3 5/1993  
 GB 1 049 429 A 11/1966  
 JP S43-022550 9/1943  
 JP H05-330502 12/1993  
 JP H11-503693 3/1999  
 JP 11-124129 A 5/1999  
 JP 3039805 3/2000  
 JP 2008 213894 A 9/2008  
 JP 2009-120248 6/2009  
 KR 20-2010-0010124 10/2010  
 WO WO 92/09498 6/1992  
 WO WO 93/14991 A1 8/1993  
 WO WO 95/08489 A1 3/1995  
 WO WO 96/32322 10/1996

WO WO 2005/042370 A1 5/2005  
 WO WO 2005/094471 A2 10/2005  
 WO WO 2011/022145 A1 2/2011  
 WO WO 2011/049947 A1 4/2011  
 WO WO 2013/019753 A1 2/2013

OTHER PUBLICATIONS

International Search Report and Written Opinion for PCT/US2013/031288 dated Jun. 13, 2013.  
 International Search Report and Written Opinion for PCT/US2014/037642 dated Sep. 5, 2014.  
 International Search Report and Written Opinion for PCT/US2014/033445 dated Sep. 5, 2014.  
 Supplementary Partial European Search Report for EP 12 78 2928 dated Nov. 28, 2014.  
 International Search Report and Written Opinion for PCT/US2012/060948 dated Mar. 28, 2013.  
 International Search Report and Written Opinion for PCT/US2013/031205 dated Nov. 26, 2013.  
 Office Action for U.S. Appl. No. 13/419,740 dated Sep. 16, 2013.  
 Response to Restriction Requirement for U.S. Appl. No. 13/419,740 dated Oct. 15, 2013.  
 Office Action for U.S. Appl. No. 13/419,740 dated Dec. 4, 2013.  
 Amendment A and Response to Office Action for U.S. Appl. No. 13/419,740 dated Mar. 4, 2014.  
 Office Action for U.S. Appl. No. 13/419,740 dated Jun. 11, 2014.  
 Request for Continued Examination (RCE) Transmittal for U.S. Appl. No. 13/419,740 dated Sep. 11, 2014.  
 Amendment B and Response to Final Office Action for U.S. Appl. No. 13/419,740 dated Sep. 11, 2014.  
 Office Action for U.S. Appl. No. 13/419,740 dated Sep. 19, 2014.  
 Amendment C and Response to Office Action for U.S. Appl. No. 13/419,740 dated Dec. 19, 2014.  
 Office Action for U.S. Appl. No. 13/419,740 dated Jan. 5, 2015.  
 Request for Continued Examination (RCE) Transmittal for U.S. Appl. No. 13/419,740 dated Feb. 3, 2015.  
 Amendment D and Response to Final Office Action for U.S. Appl. No. 13/419,740 dated Feb. 3, 2015.  
 Supplementary European Search Report for EP 12 84 0937 dated Jun. 3, 2015.  
 Supplementary European Search Report for EP 14 78 2642 dated Oct. 25, 2016.  
 Supplementary European Search Report for EP 13 87 7522 dated Sep. 23, 2016.  
 Supplementary European Search Report for EP 12 78 2928 dated Mar. 11, 2015.  
 International Search Report and Written Opinion for PCT/US2013/030776 dated Jun. 27, 2013.  
 Applicant-Initiated Interview Summary for U.S. Appl. No. 13/419,740 dated Feb. 4, 2015.  
 Response to Interview Summary for U.S. Appl. No. 13/419,740 dated Feb. 17, 2015.  
 Office Action for U.S. Appl. No. 13/419,740 dated Mar. 4, 2015.  
 Amendment E and Response to Office Action for U.S. Appl. No. 13/419,740 dated Jun. 3, 2015.  
 Office Action for U.S. Appl. No. 13/419,740 dated Jul. 21, 2015.  
 Request for Continued Examination (RCE) Transmittal dated Nov. 19, 2015.  
 Amendment F and Response to Final Office Action for U.S. Appl. No. 13/419,740 dated Nov. 19, 2015.  
 Notice of Allowance and Fee(s) Due for U.S. Appl. No. 13/419,740 dated Dec. 17, 2015.  
 Part B—Fee(s) Transmittal for U.S. Appl. No. 13/419,740 dated Jan. 22, 2016.  
 Issue Notification for U.S. Appl. No. 13/419,740 dated Feb. 24, 2016.  
 Office Action for U.S. Appl. No. 29/514,236 dated Oct. 19, 2016.  
 Amendment and Response to Restriction Requirement for U.S. Appl. No. 29/514,236 dated Nov. 21, 2016.  
 Office Action for U.S. Appl. No. 29/514,236 dated Jan. 25, 2017.

(56)

**References Cited**

OTHER PUBLICATIONS

Amendment and Response to Office Action for U.S. Appl. No. 29/514,236 dated Mar. 14, 2017.

Notice of Allowance and Fee(s) Due for U.S. Appl. No. 29/514,236 dated Mar. 27, 2017.

Issue Fee Transmittal Form for U.S. Appl. No. 29/514,236 dated Jun. 8, 2017.

Issue Notification for U.S. Appl. No. 29/514,236 dated Jun. 28, 2017.

\* cited by examiner

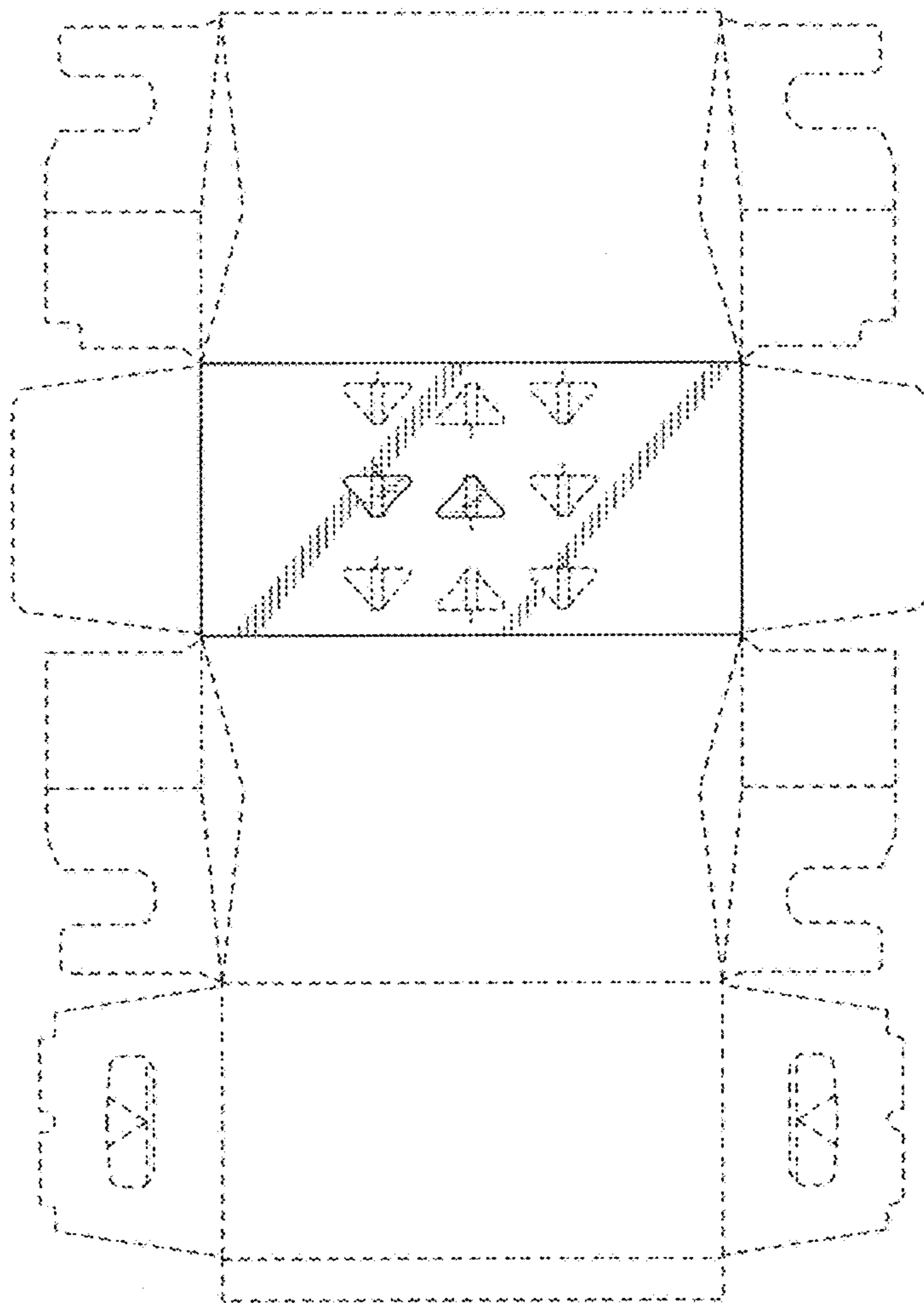


FIG. 1

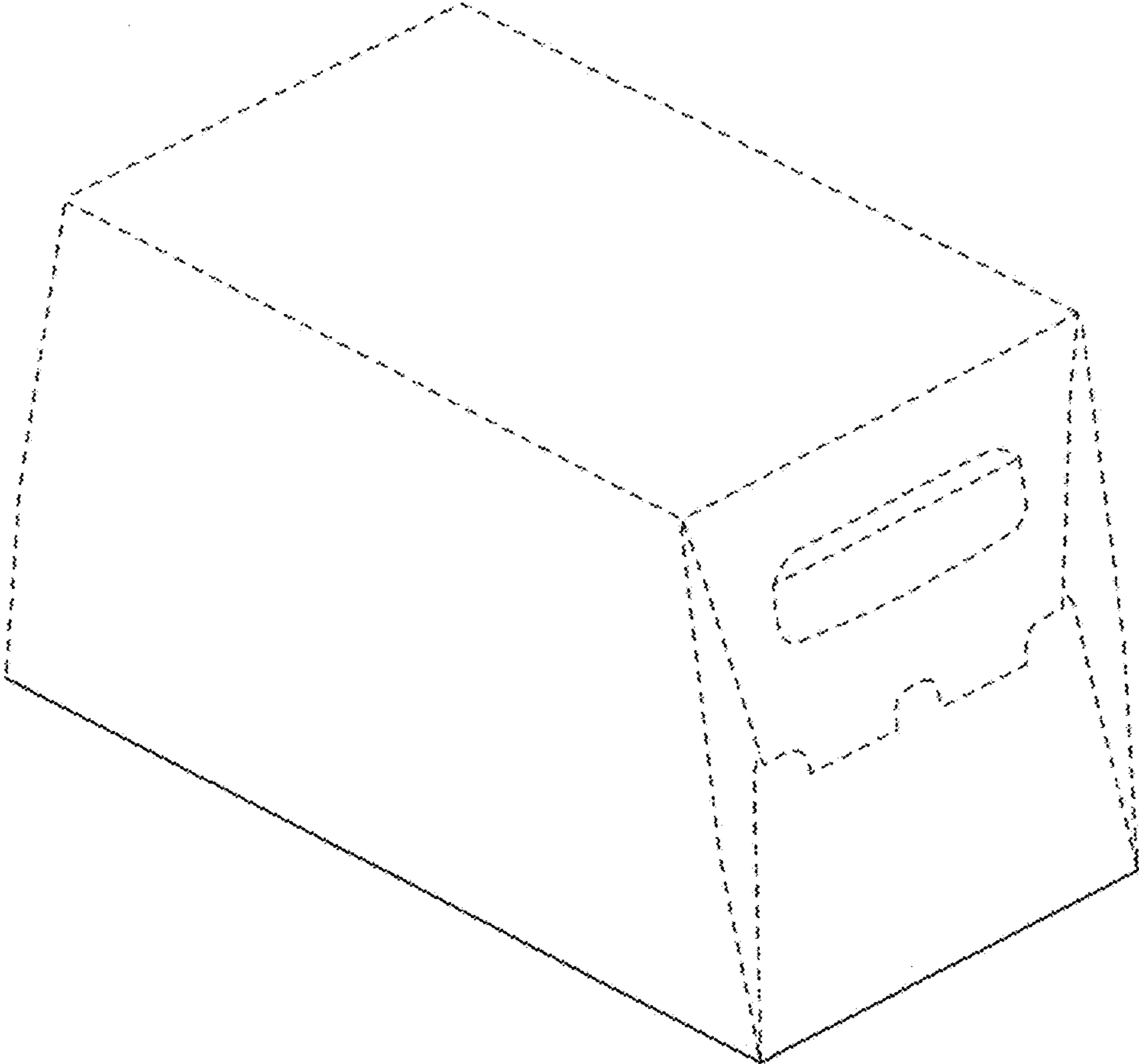


FIG. 2

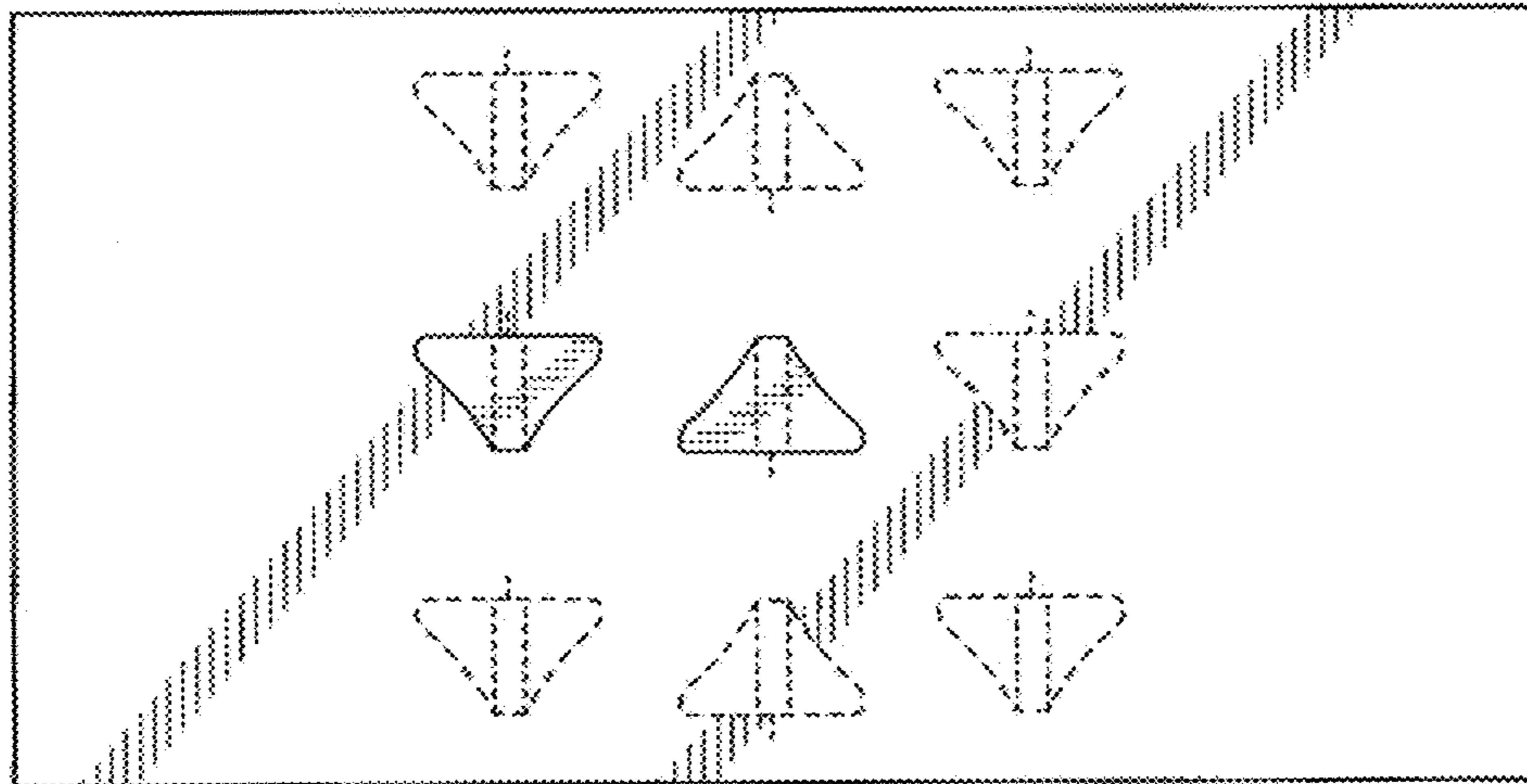
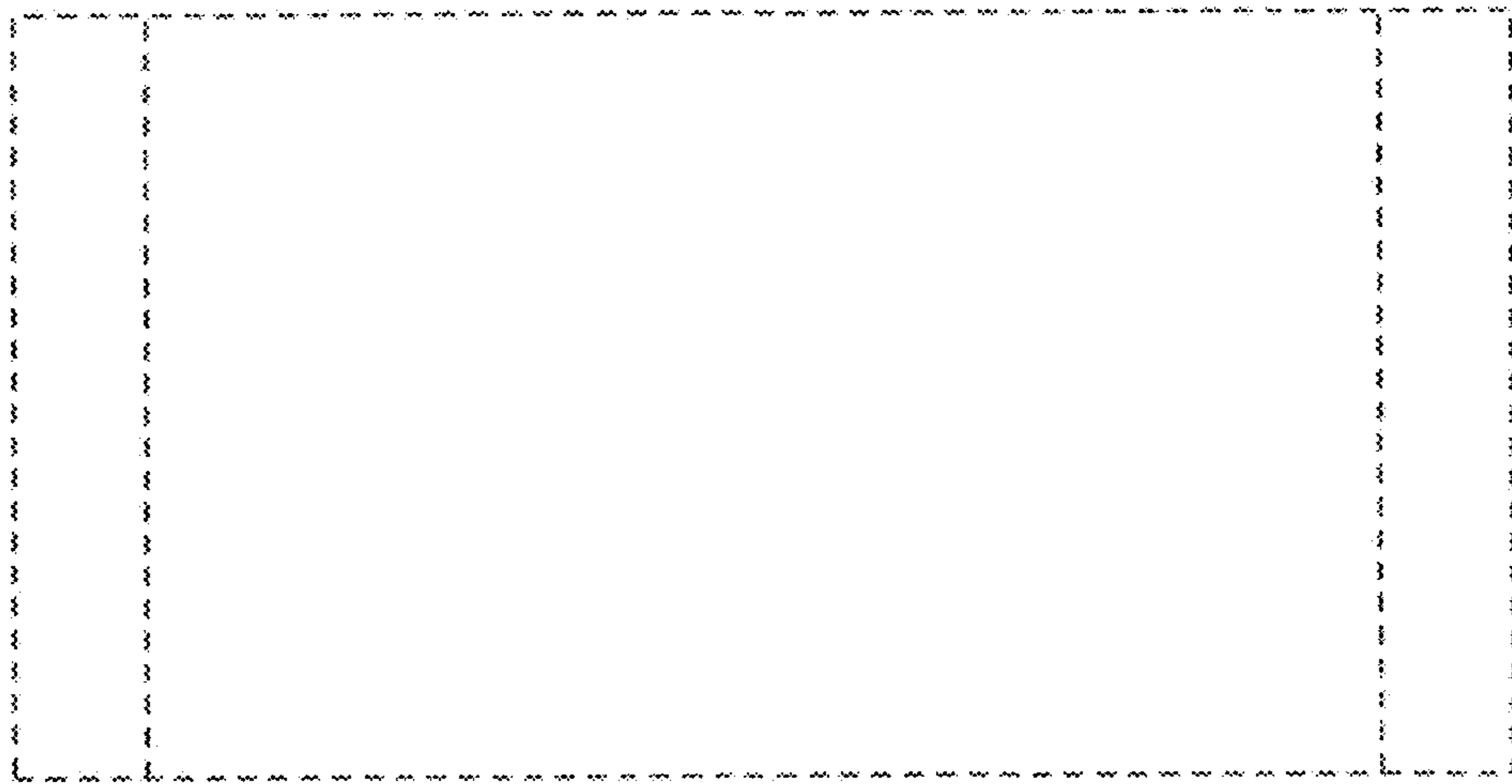


FIG. 3





*FIG. 4*

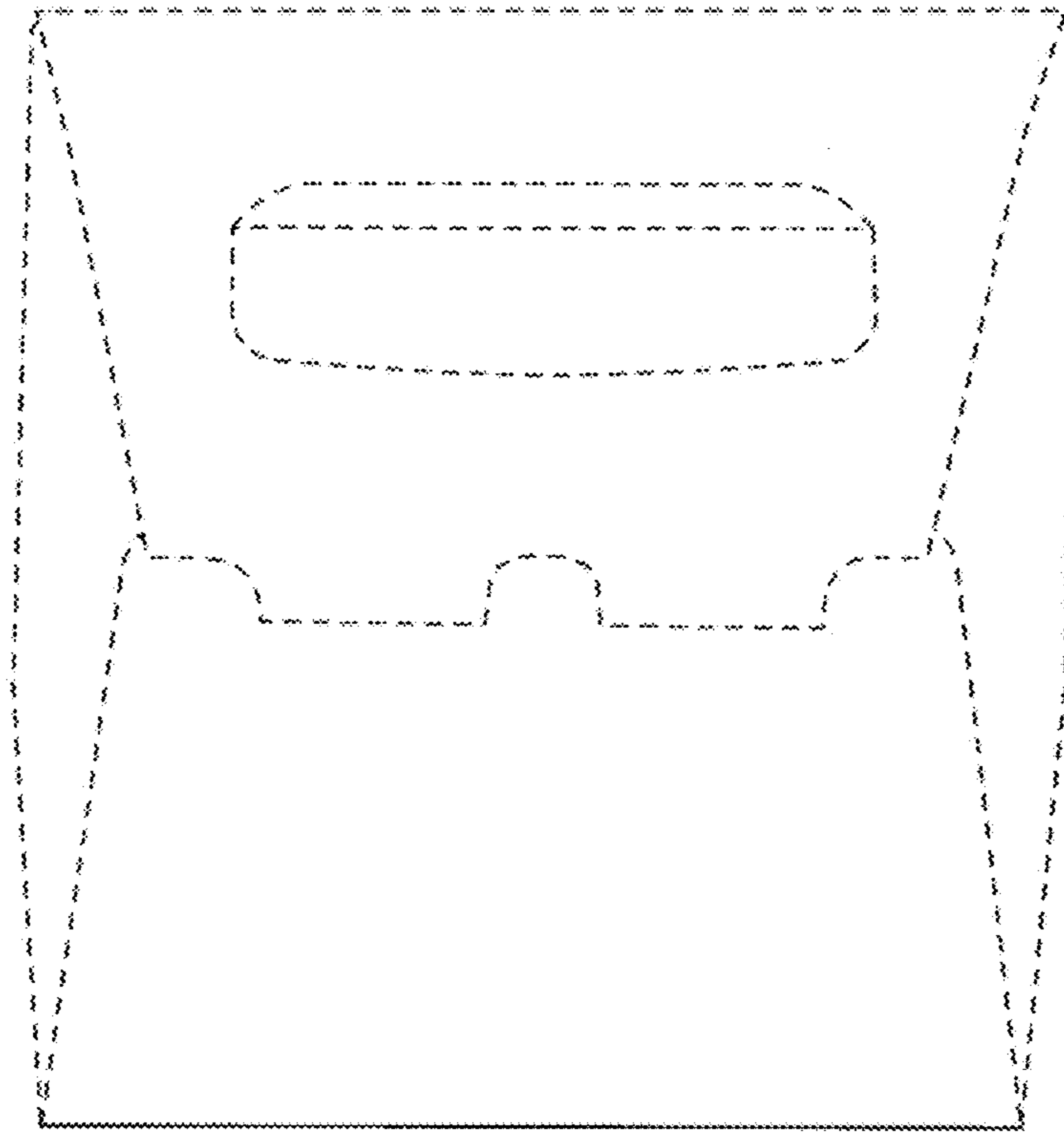


FIG. 5

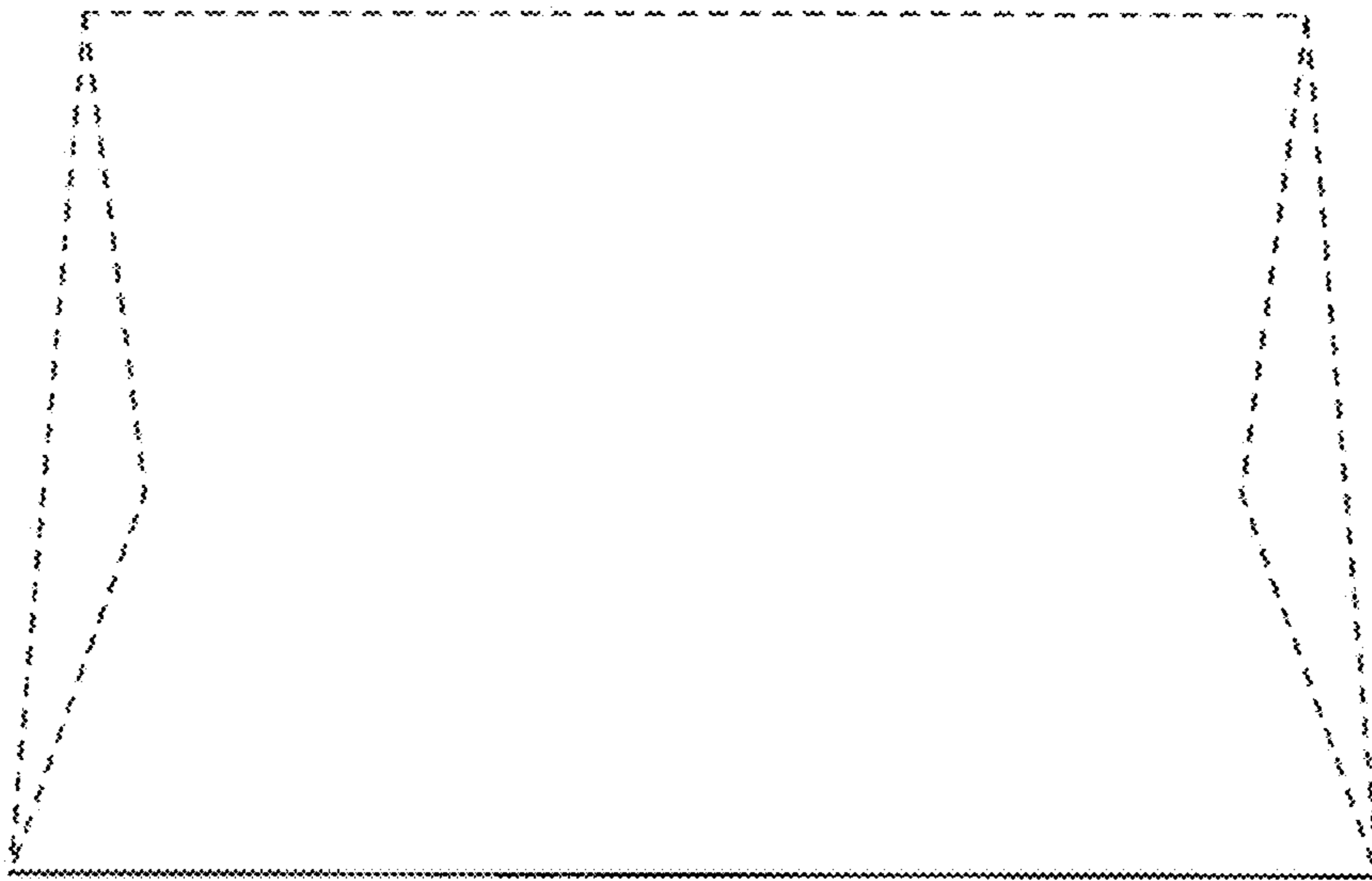


FIG. 6