



US00D816489S

(12) **United States Design Patent** (10) **Patent No.:** **US D816,489 S**
Kato (45) **Date of Patent:** **** *May 1, 2018**

(54) **PACKAGING BOX**

- (71) Applicant: **BROTHER INDUSTRIES, LTD.**,
Nagoya-shi, Aichi-ken (JP)
- (72) Inventor: **Izumi Kato**, Nishio (JP)
- (73) Assignee: **BROTHER INDUSTRIES, LTD.**,
Nagoya (JP)
- (*) Notice: This patent is subject to a terminal disclaimer.
- (**) Term: **15 Years**

(21) Appl. No.: **29/579,296**

(22) Filed: **Sep. 29, 2016**

(30) **Foreign Application Priority Data**

Mar. 30, 2016 (JP) 2016-7071

(51) **LOC (11) Cl.** **09-03**

(52) **U.S. Cl.**
USPC **D9/432; D9/438**

(58) **Field of Classification Search**
USPC D3/201, 203.1, 203.5, 203.6; D7/601,
D7/602, 609; D9/414-416, 418-423,
D9/425, 426, 430-436, 444, 455-457,
D9/499
CPC B29L 2031/7166; B65D 81/3813; B65D
5/541; B65D 5/02
See application file for complete search history.

(56) **References Cited**

U.S. PATENT DOCUMENTS

- 425,188 A * 4/1890 Riedell B65D 5/16
229/122
- D93,084 S * 8/1934 Baum D3/203.1
- D190,772 S * 6/1961 Cuyler D9/418
- 3,361,332 A * 1/1968 Mason B65D 5/541
229/160.2
- D212,684 S * 11/1968 Roccaforte D9/416

(Continued)

OTHER PUBLICATIONS

Alibaba. Wholesale rigid folding box template, folding box magnet flap closure, magnetic folding box printing. 2017 [earliest online date], [site visited Aug. 8, 2017]. Available from Internet, <URL:https://www.alibaba.com/product-detail/Wholesale-rigid-folding-box-template-folding_60136989810.html>.*

Primary Examiner — Robert M. Spear
Assistant Examiner — Darcey E Heflin
(74) *Attorney, Agent, or Firm* — Oliff PLC

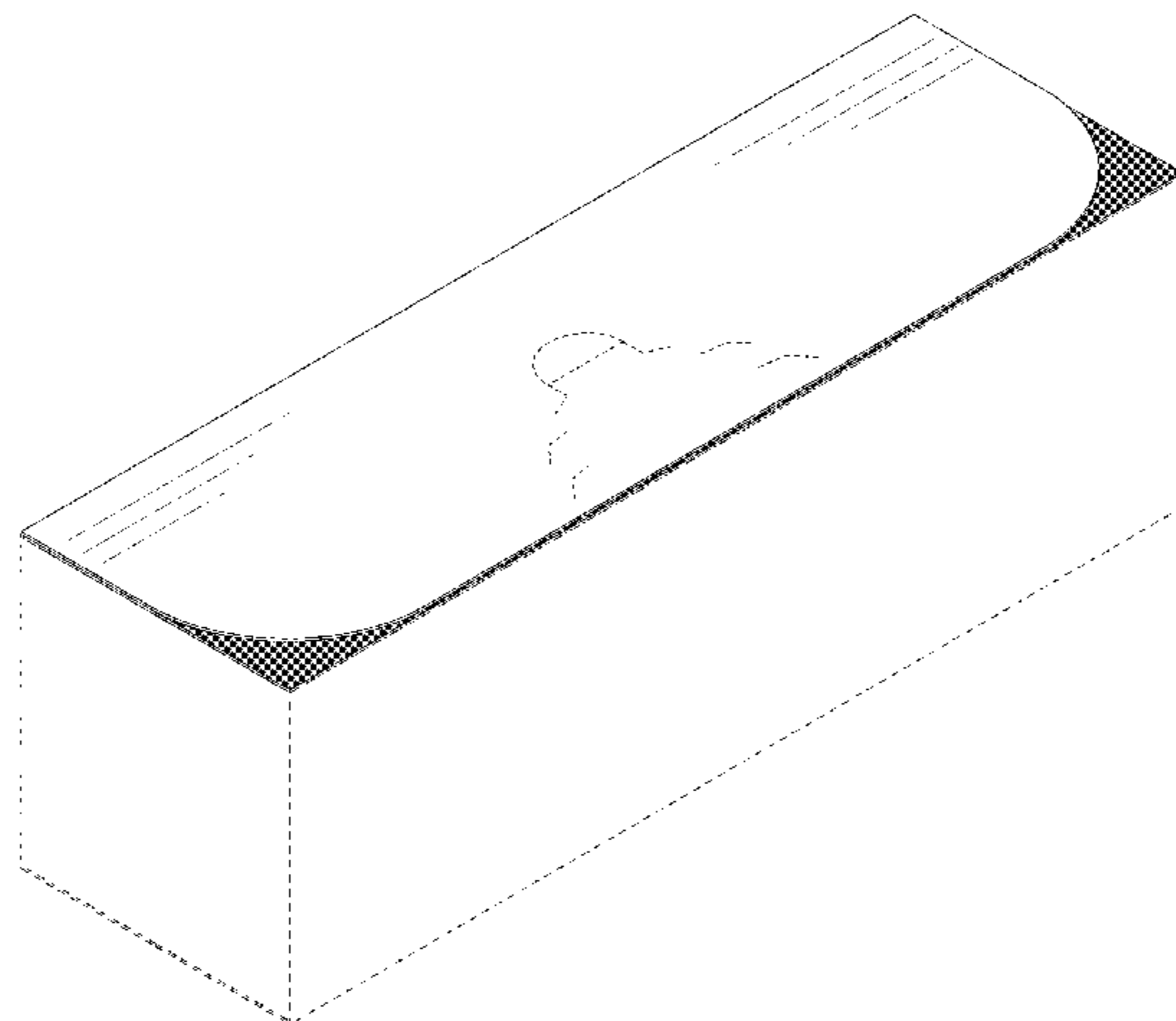
(57) **CLAIM**

The ornamental design for a packaging box, as shown and described.

DESCRIPTION

FIG. 1 is a front, top, left-side perspective view of a packaging box;
FIG. 2 is a front view thereof;
FIG. 3 is a top view thereof;
FIG. 4 is a right-side view thereof;
FIG. 5 is a left-side view thereof;
FIG. 6 is a rear view thereof;
FIG. 7 is a bottom view thereof;
FIG. 8 is a top view thereof in an opened state;
FIG. 9 is a cross-sectional view taken along line 9-9 in FIG. 3;
FIG. 10 is a cross-sectional view taken along line 10-10 in FIG. 3; and,
FIG. 11 is a rear, top, right-side perspective view thereof.
The broken lines depict environmental subject matter only and form no part of the claimed design. The dot-dash chain lines depict a boundary of the claimed subject matter and form no part of the claimed design. The shaded portion on the top of the packaging box is intended to illustrate a color contrast with the remainder of the packaging box.

1 Claim, 9 Drawing Sheets



(56)

References Cited

U.S. PATENT DOCUMENTS

4,175,673	A	*	11/1979	McDonald	B65D 5/54
						221/63
D268,649	S	*	4/1983	Adamson	D9/416
D283,593	S	*	4/1986	Hofer	D9/416
D368,027	S	*	3/1996	Baker	D9/415
D445,332	S	*	7/2001	Breiding	D6/522
D465,416	S	*	11/2002	Dzwill	D9/432
D579,766	S	*	11/2008	Barnett	D9/414
D582,268	S	*	12/2008	Zanaletti	D9/432
D613,153	S	*	4/2010	Russell	D9/423
D668,949	S	*	10/2012	Hipperson	D9/423
D679,582	S	*	4/2013	Witte	D9/416
D708,514	S	*	7/2014	Kiamilev	D9/432
D778,150	S	*	2/2017	Kahawaiolaa	D9/416
D792,784	S	*	7/2017	Wangtaveesab	D9/420

* cited by examiner

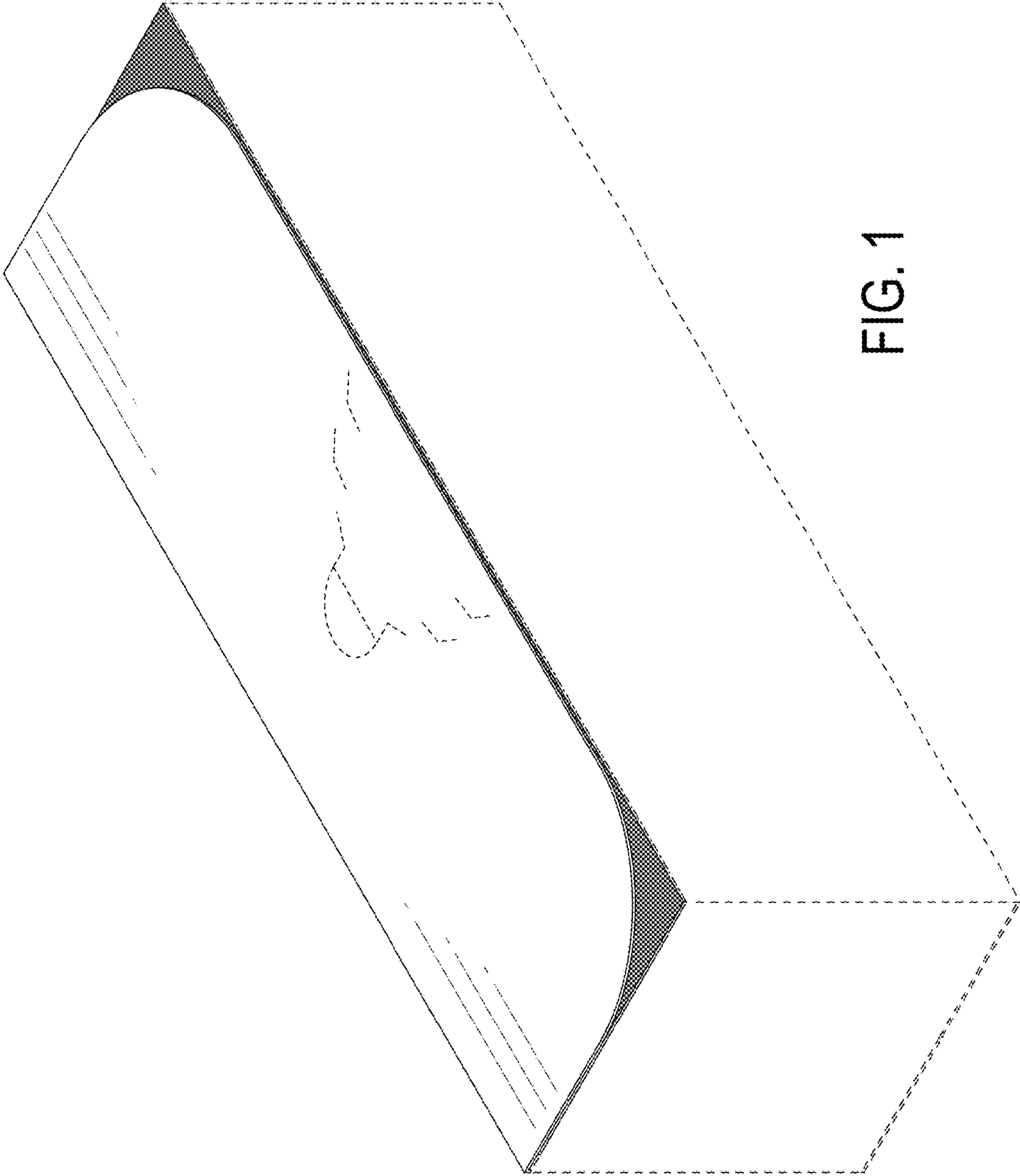


FIG. 1

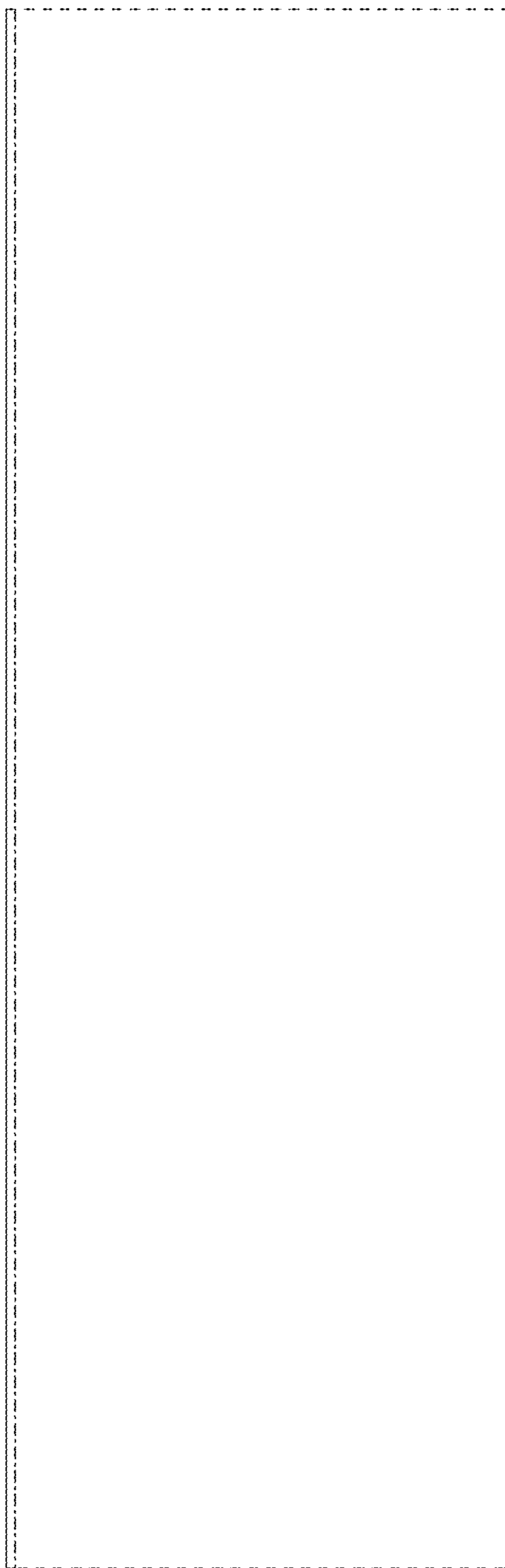


FIG. 2

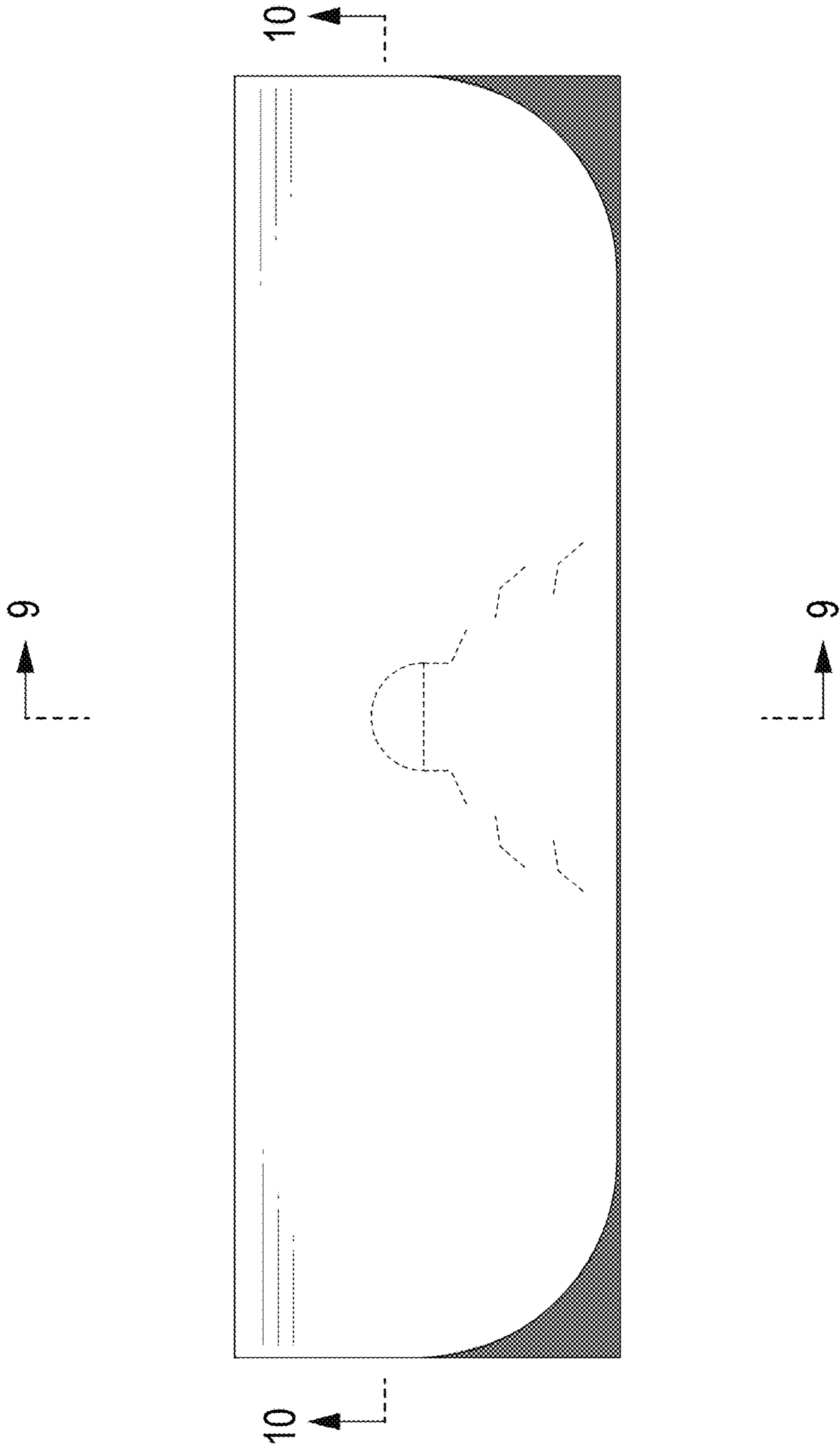


FIG. 3

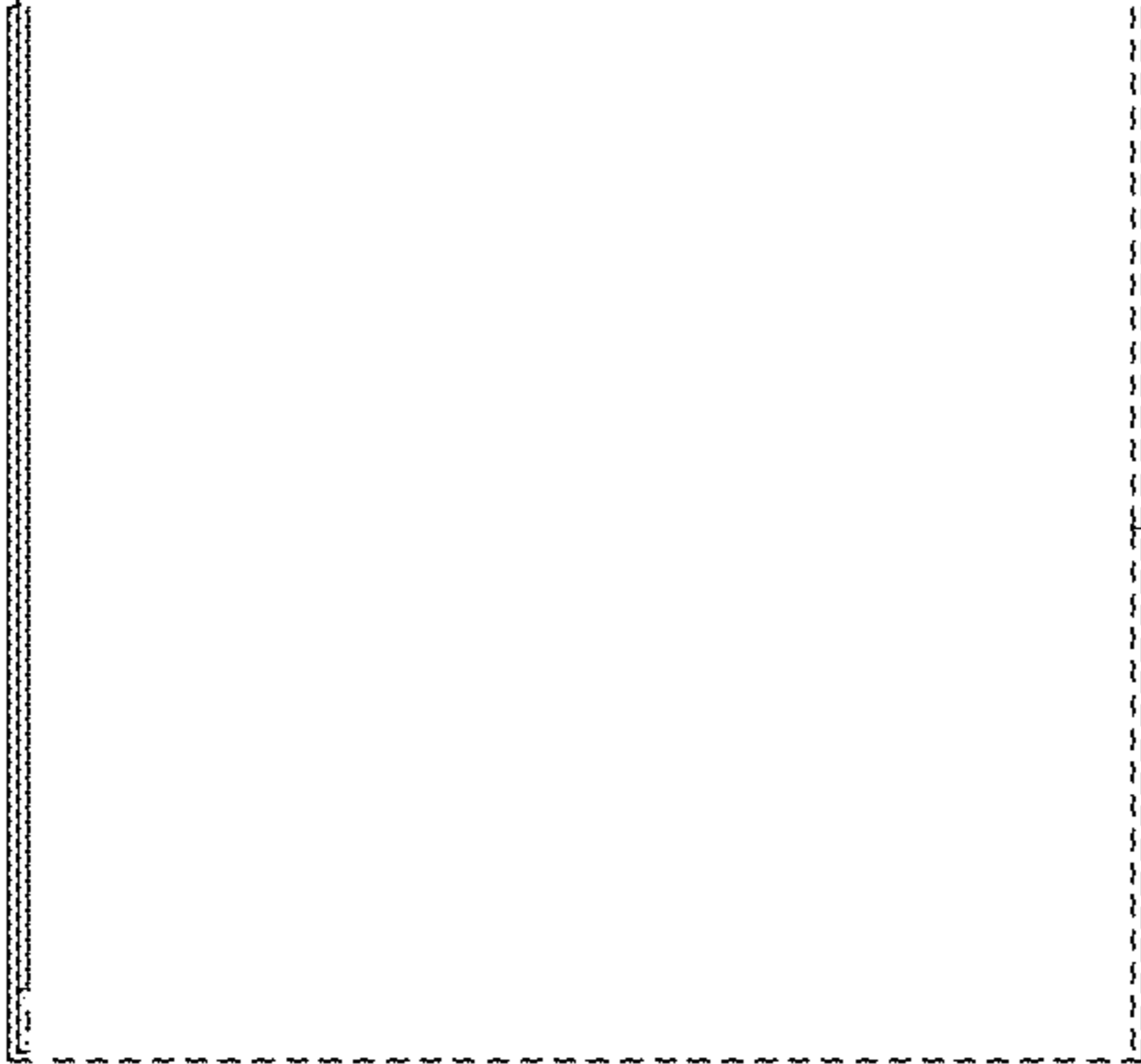


FIG. 5



FIG. 4

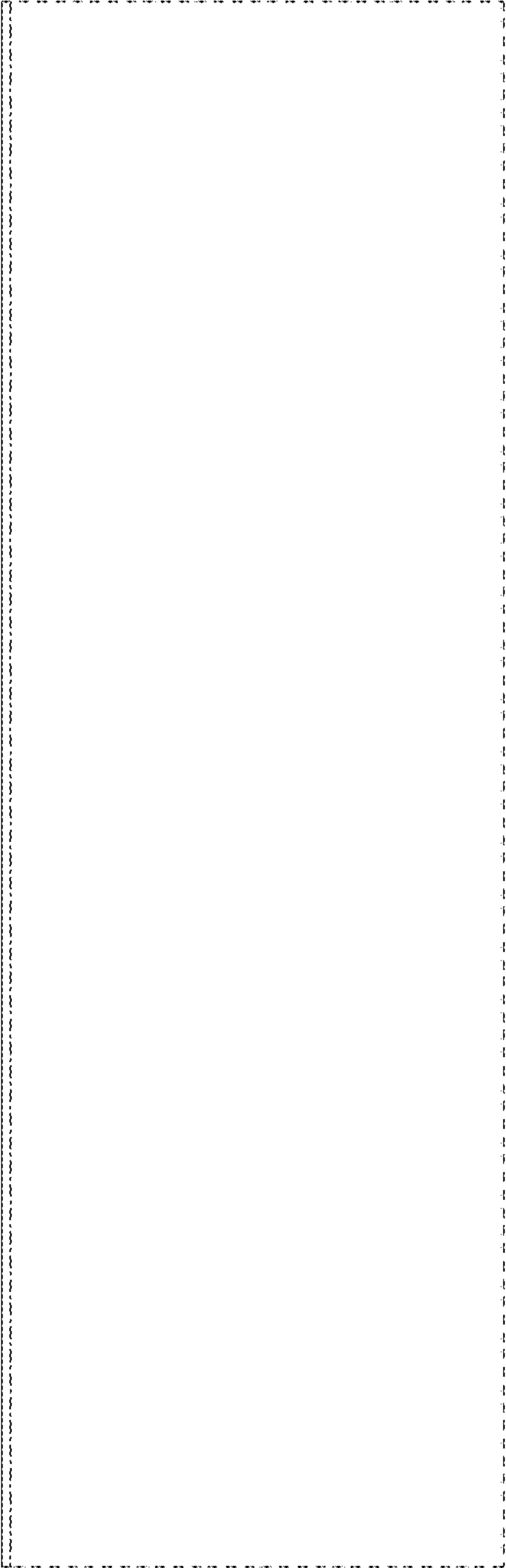


FIG. 6

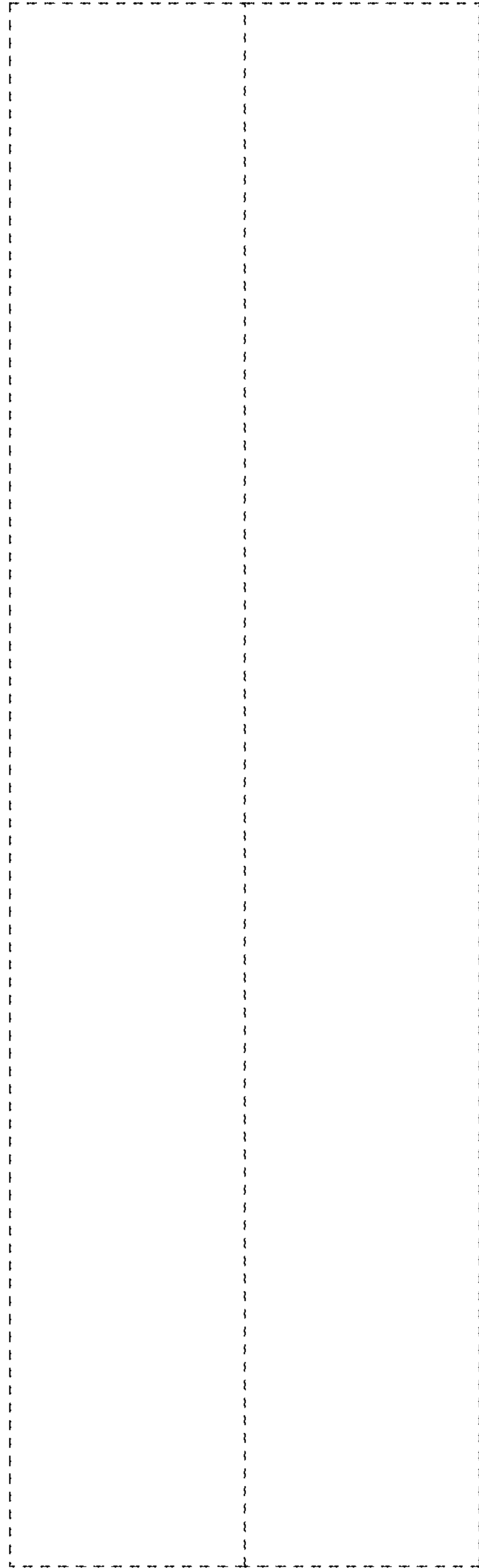


FIG. 7

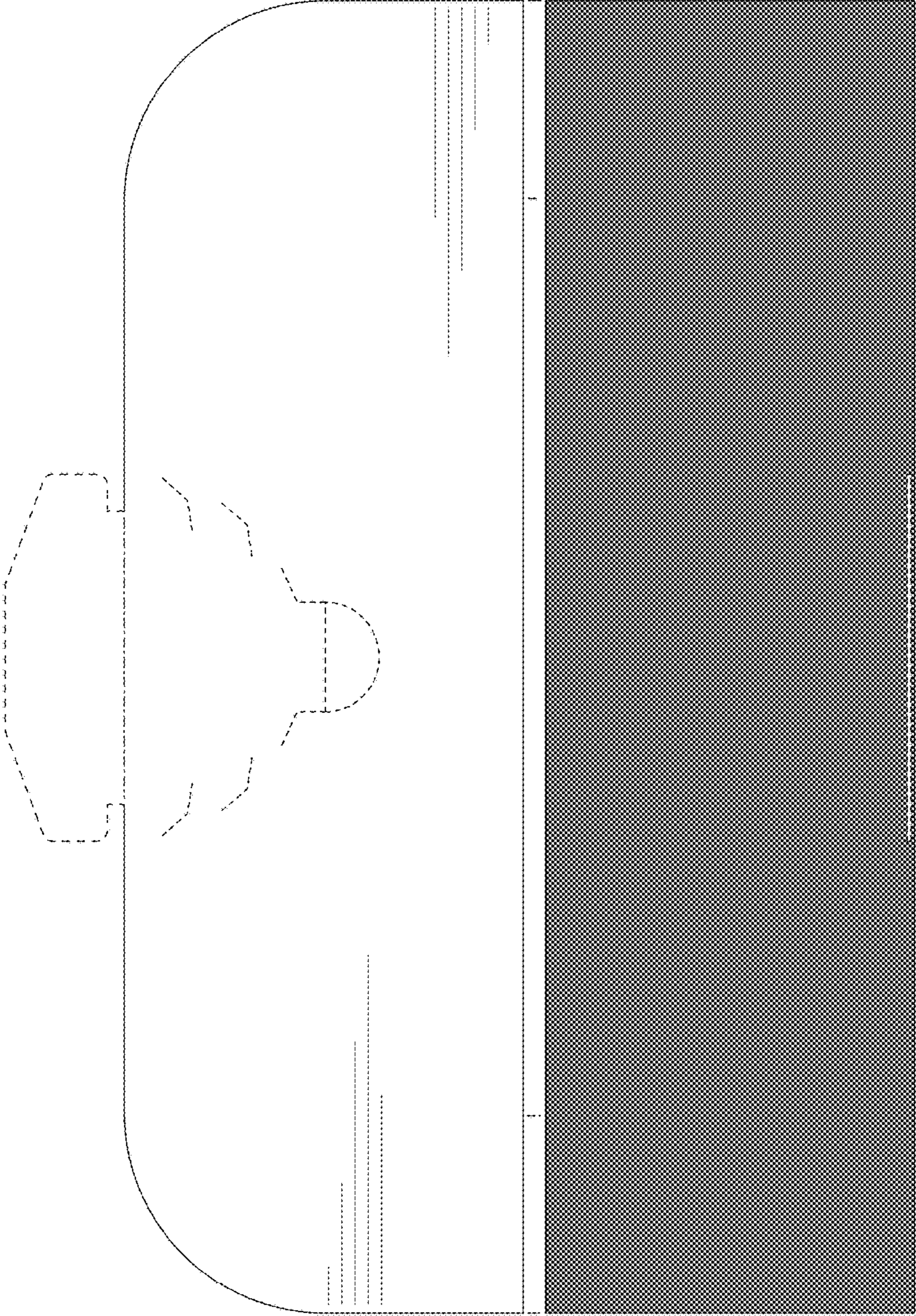


FIG. 8



FIG. 9

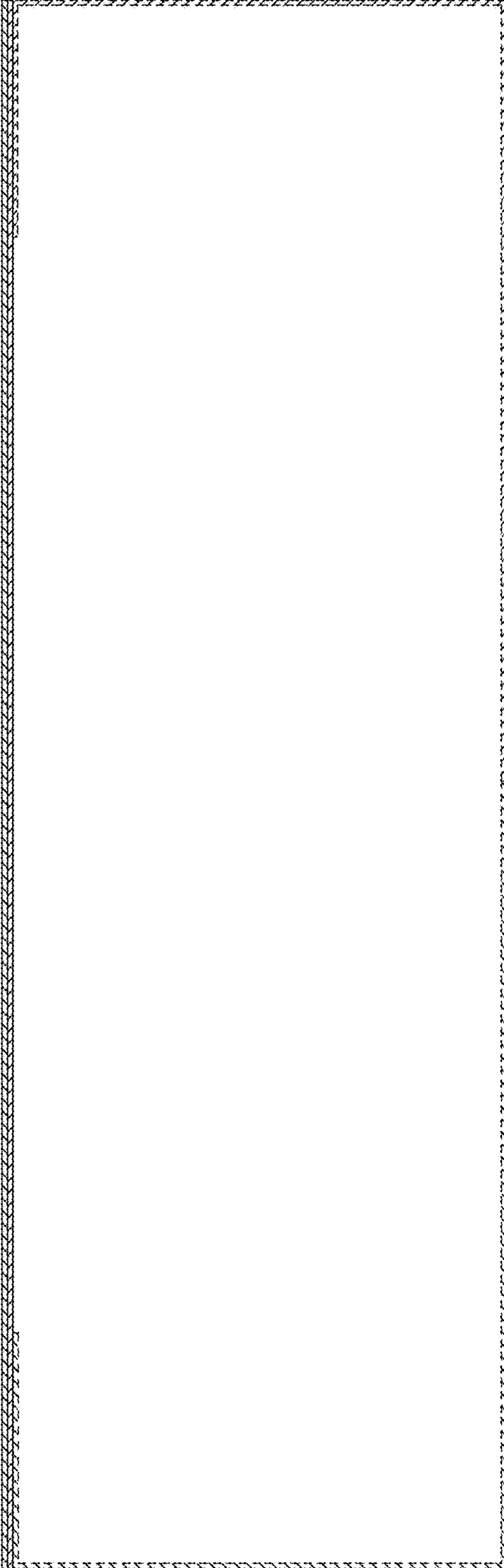


FIG. 10

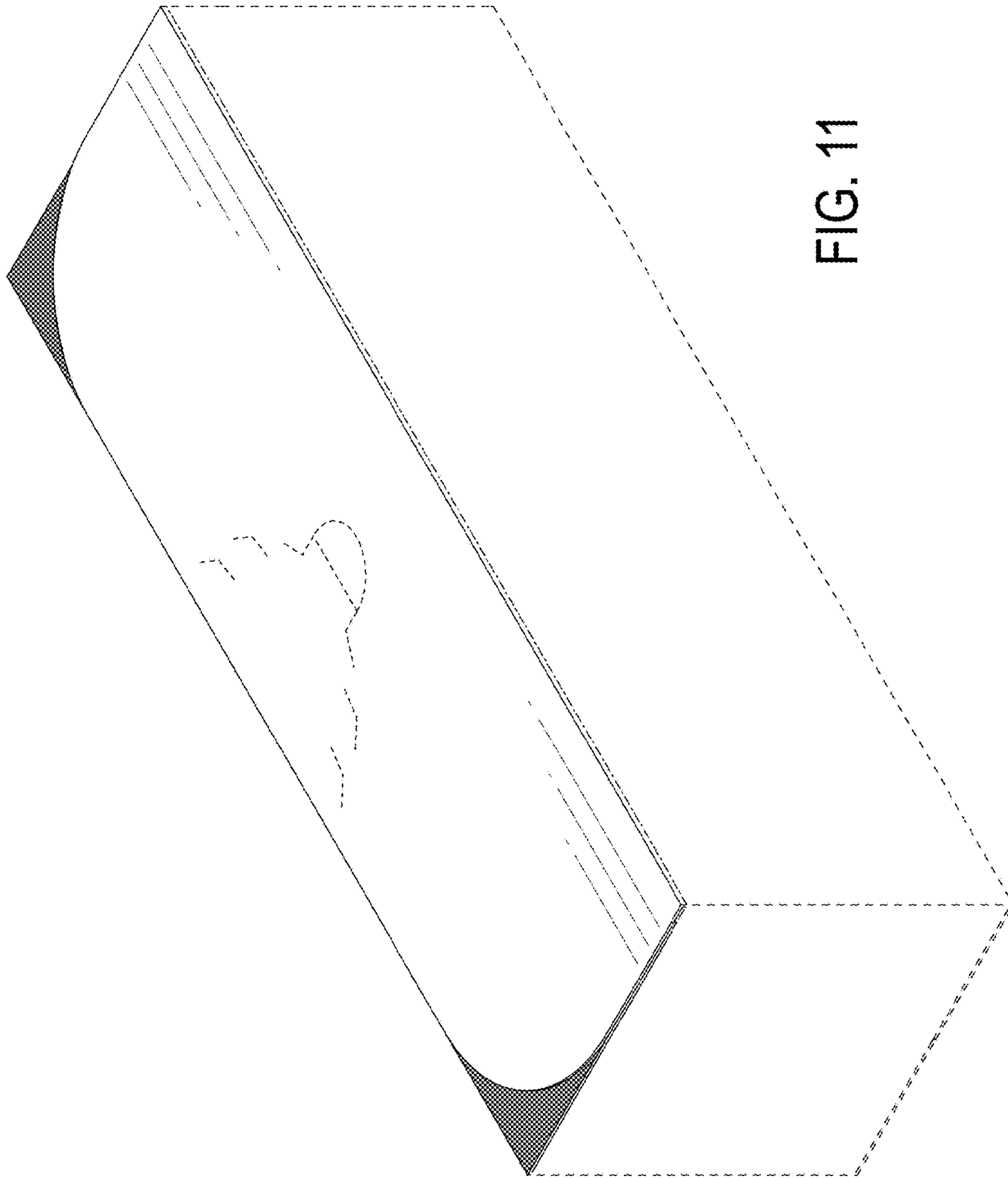


FIG. 11