



US00D816487S

(12) **United States Design Patent** (10) **Patent No.:** **US D816,487 S**
Su (45) **Date of Patent:** **** May 1, 2018**

(54) **PACKING CASE FOR LOCK DEVICES** 5,244,092 A * 9/1993 Karita B41J 2/16505
206/462

(71) Applicant: **TAIWAN FU HSING INDUSTRIAL** D373,527 S * 9/1996 Phillips D9/415
CO., LTD., Kaohsiung (TW) D463,978 S 10/2002 DiMartino

(72) Inventor: **Yu-Ying Su,** Kaohsiung (TW) D478,047 S * 8/2003 Liang D13/120
D534,795 S * 1/2007 Manuel D9/424
7,475,779 B2 * 1/2009 Kellar B41J 2/17533
206/462

(73) Assignee: **TAIWAN FU HSING INDUSTRIAL** D615,395 S * 5/2010 Jefferies D9/415
CO., LTD., Kaohsiung (TW) D629,680 S * 12/2010 Sondors D9/418
D697,398 S 1/2014 Guevara-Ludt

(**) Term: **15 Years** D703,544 S * 4/2014 Limback D9/652
D715,636 S 10/2014 Cira
D746,130 S * 12/2015 Johnson D9/418
D767,987 S * 10/2016 Wu D9/415

(21) Appl. No.: **29/583,909** 2013/0062240 A1 * 3/2013 Trontel B65D 73/0064
206/459.5

(22) Filed: **Nov. 9, 2016** 2014/0209497 A1 * 7/2014 Jacobus B65D 75/368
206/468

(30) **Foreign Application Priority Data**

Sep. 14, 2016 (TW) 105305467

(51) **LOC (11) Cl.** **09-03**

(52) **U.S. Cl.**

USPC **D9/424**

(58) **Field of Classification Search**

USPC D9/415, 418, 424, 732

CPC B65D 75/327; B65D 75/36; B65D 75/366;

B65D 75/367; B65D 75/32; B65D

2575/3245; B65D 75/326; B65D

2575/366; B65D 2585/88; B65D 75/322;

B65D 77/2032; B65D 5/4204; B65D

75/22; B65D 77/0413; B65D 5/4208;

B65D 77/02; B65D 25/22; B65D

75/5833; B65D 85/00; B65D 2543/00194;

B65D 2301/20; B65D 2575/3218; B65D

73/0007; B65D 73/0042

See application file for complete search history.

(56) **References Cited**

U.S. PATENT DOCUMENTS

D268,331 S * 3/1983 Kay D9/415

D331,012 S 11/1992 Karita

(Continued)

FOREIGN PATENT DOCUMENTS

KR 300263350 9/2000

Primary Examiner — Lauren R Calve

(74) *Attorney, Agent, or Firm* — Winston Hsu

(57) **CLAIM**

The ornamental design for a packing case for lock devices, as shown and described.

DESCRIPTION

FIG. 1 is a front, right, top perspective view of a packing case for lock devices showing my new design;

FIG. 2 is a front elevational view thereof;

FIG. 3 is a rear elevational view thereof;

FIG. 4 is a left side elevational view thereof;

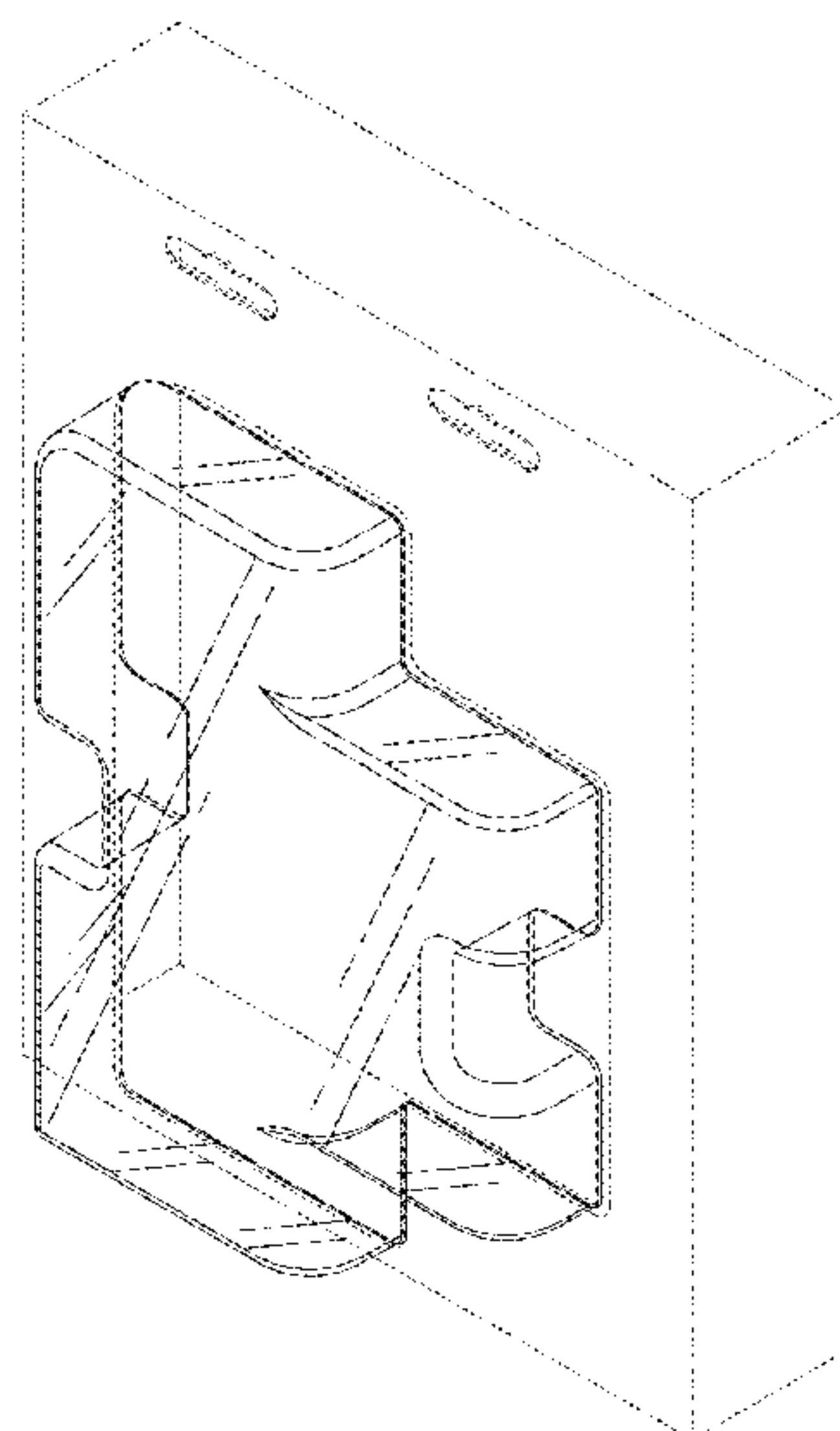
FIG. 5 is a right side elevational view thereof;

FIG. 6 is a top plan view thereof; and,

FIG. 7 is a bottom plan view thereof.

The broken lines shown represent unclaimed subject matter and form no part of the claimed design.

1 Claim, 7 Drawing Sheets



(56)

References Cited

U.S. PATENT DOCUMENTS

2015/0217920 A1* 8/2015 Madron B65D 75/30
53/467
2016/0101919 A1* 4/2016 Zacherle B65D 73/0092
206/461

* cited by examiner

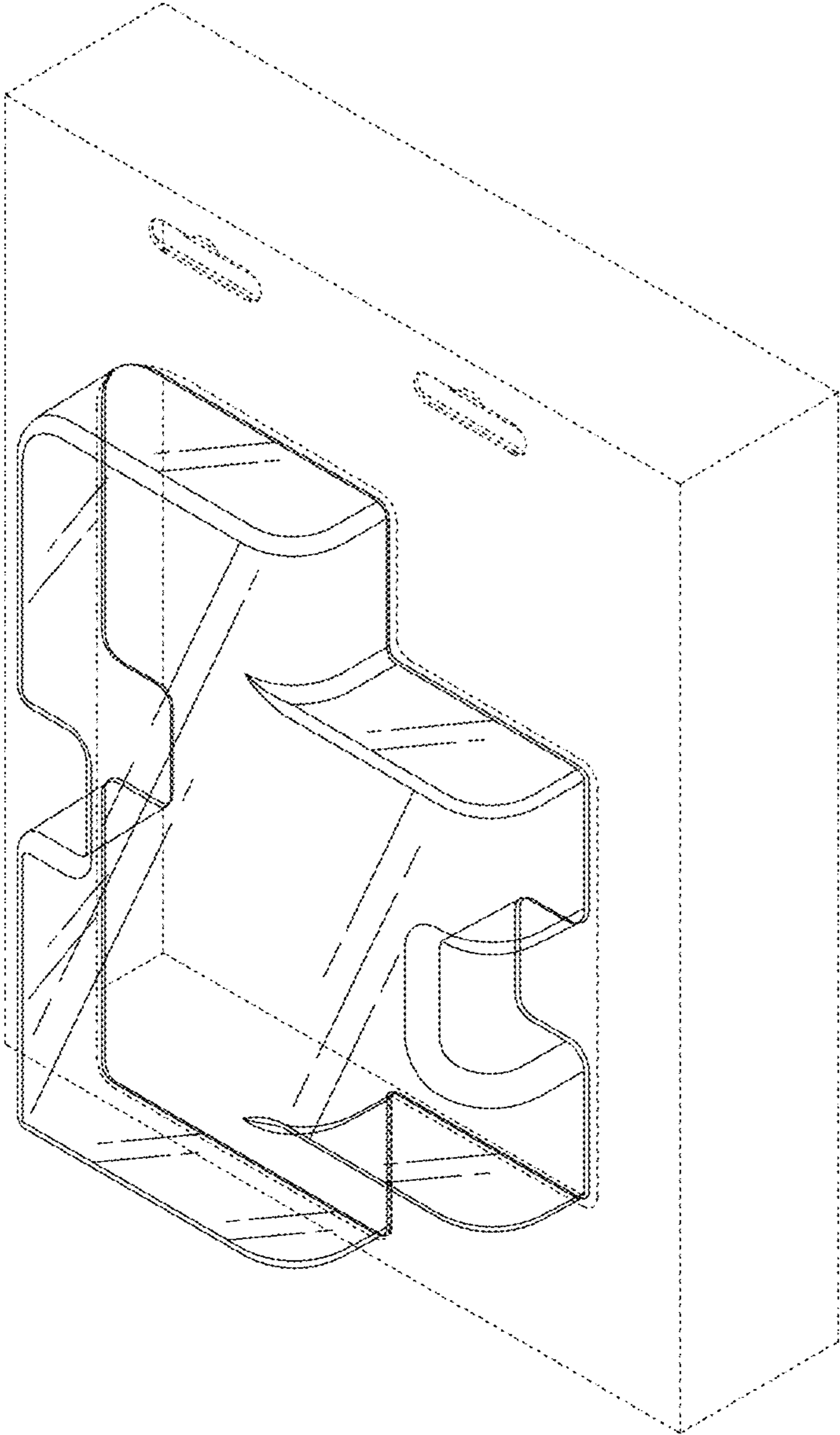


FIG. 1

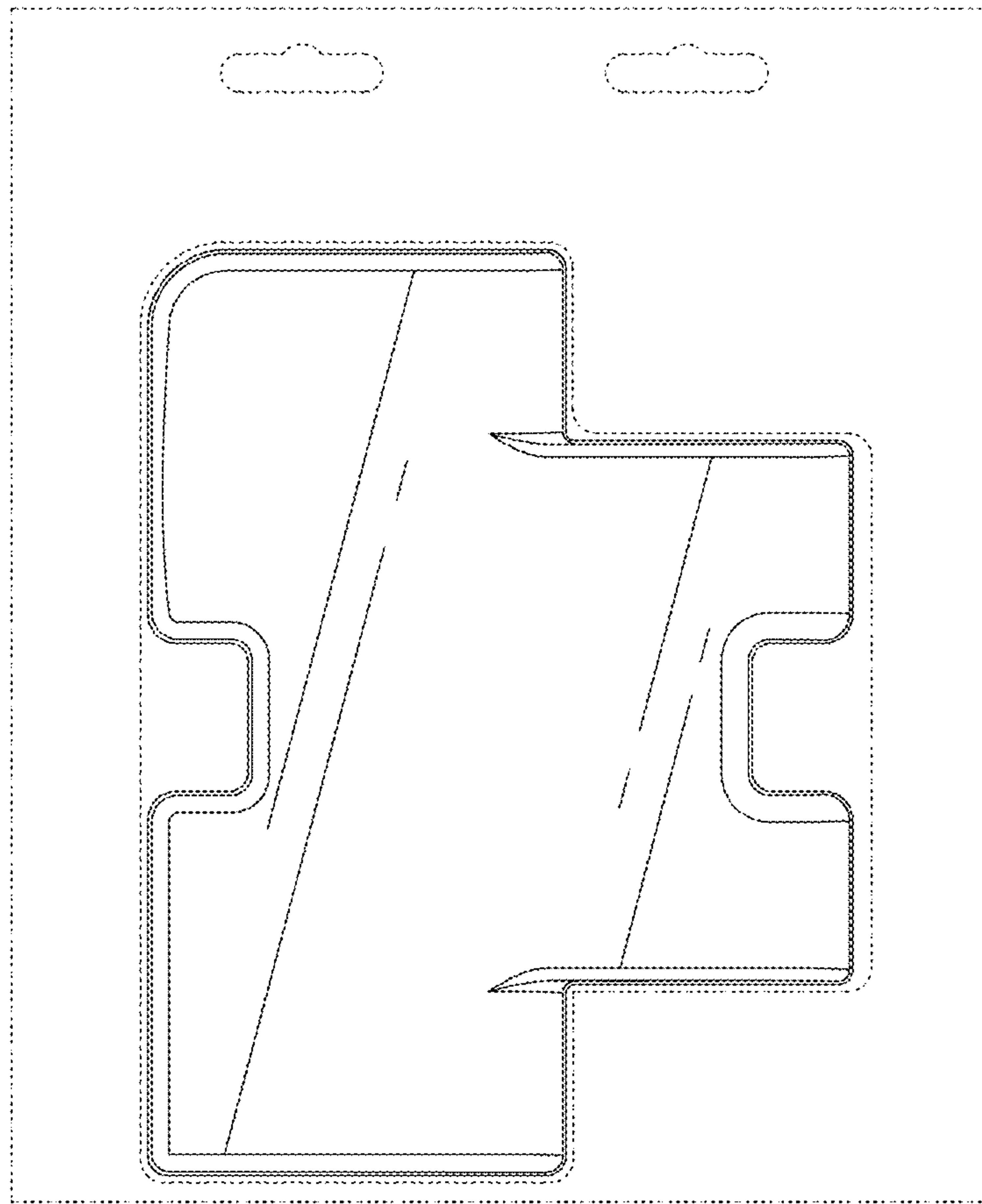


FIG. 2

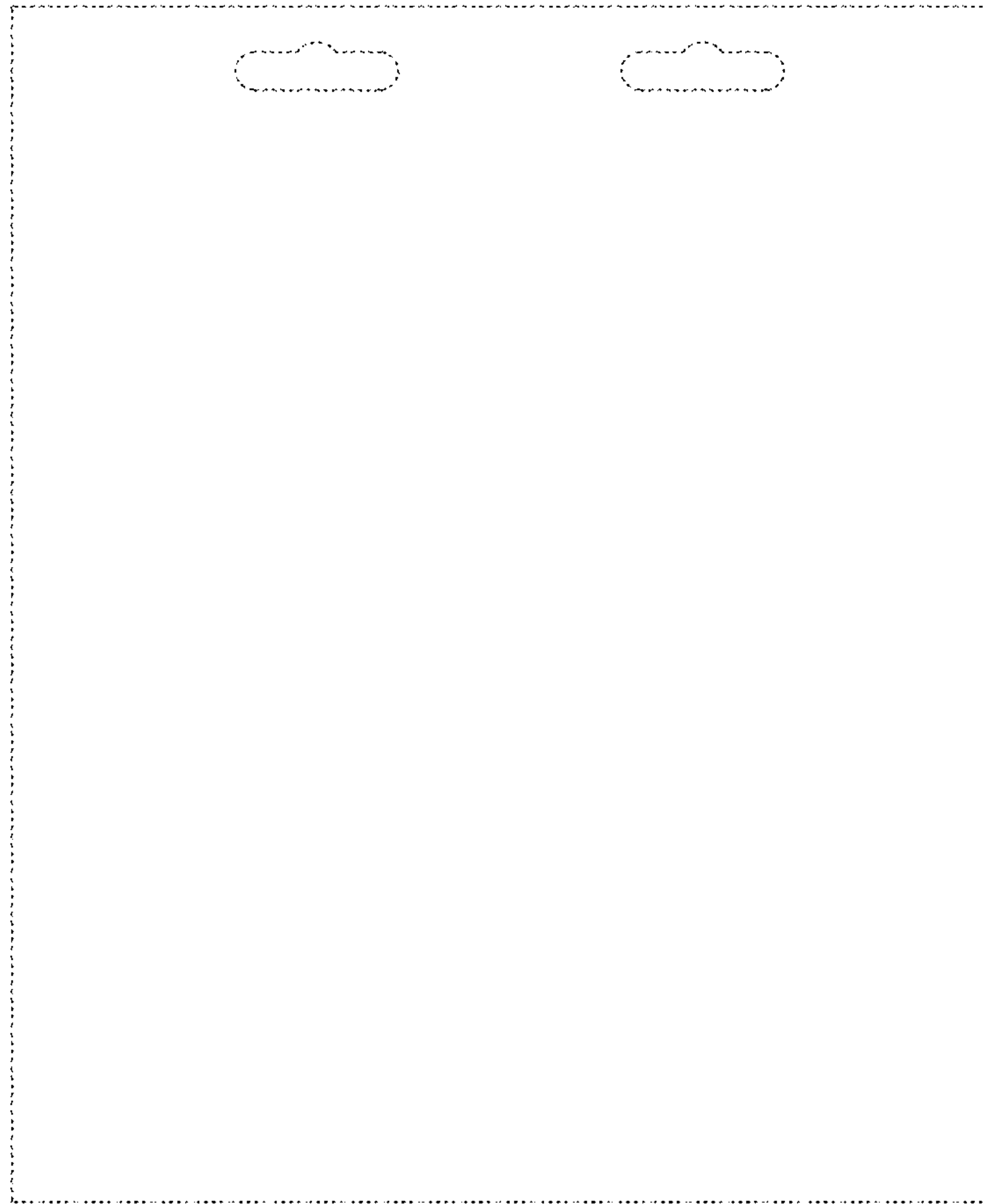


FIG. 3

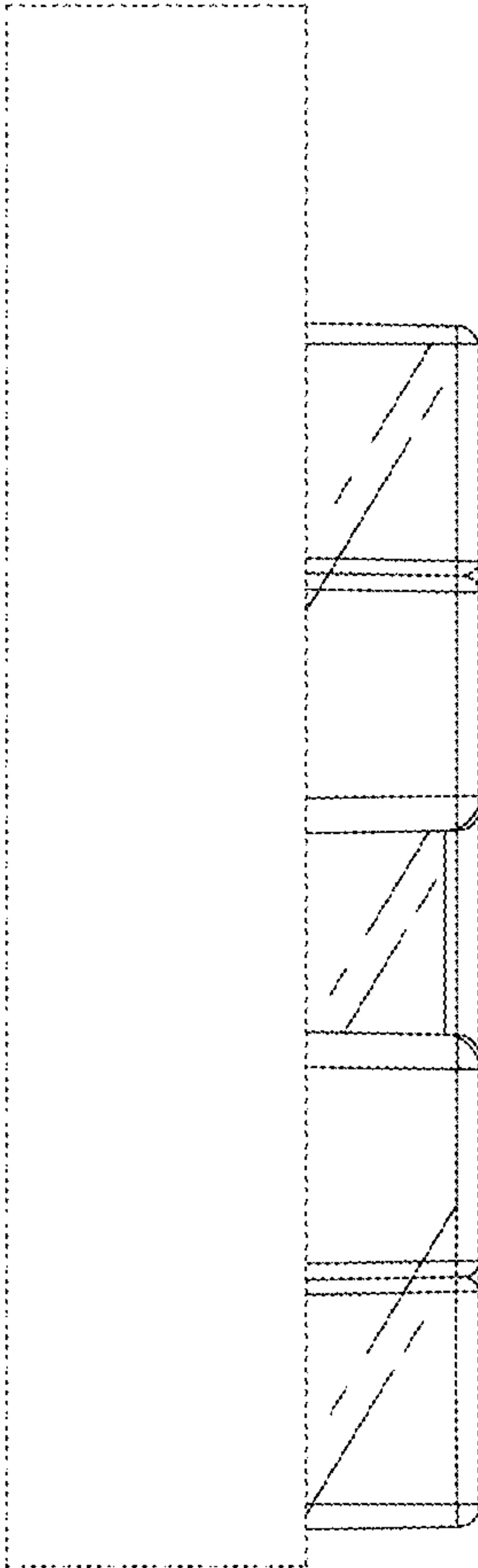


FIG. 4

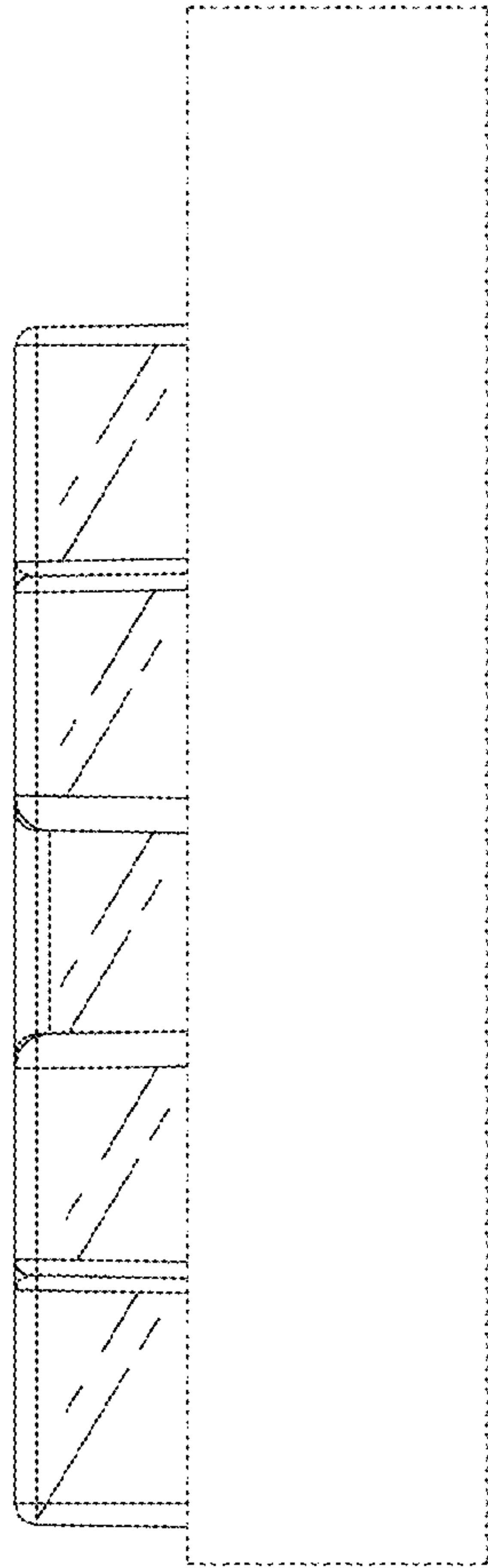


FIG. 5

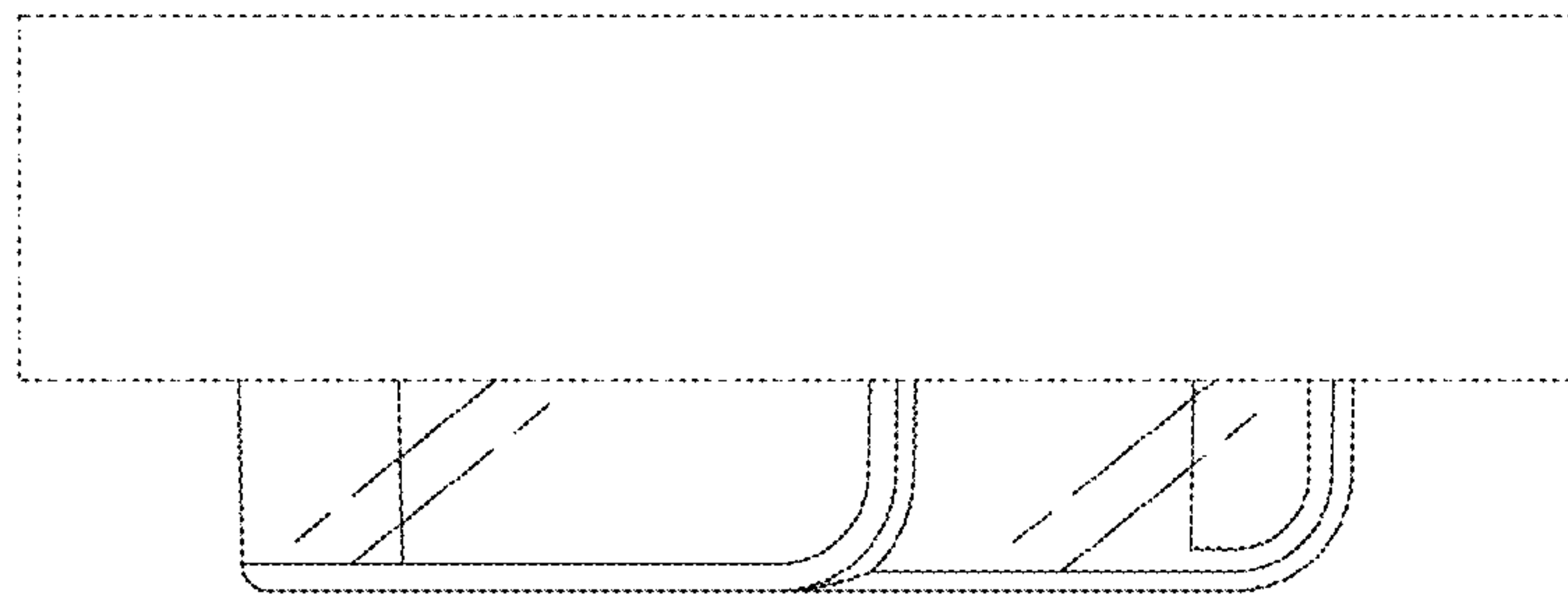


FIG. 6

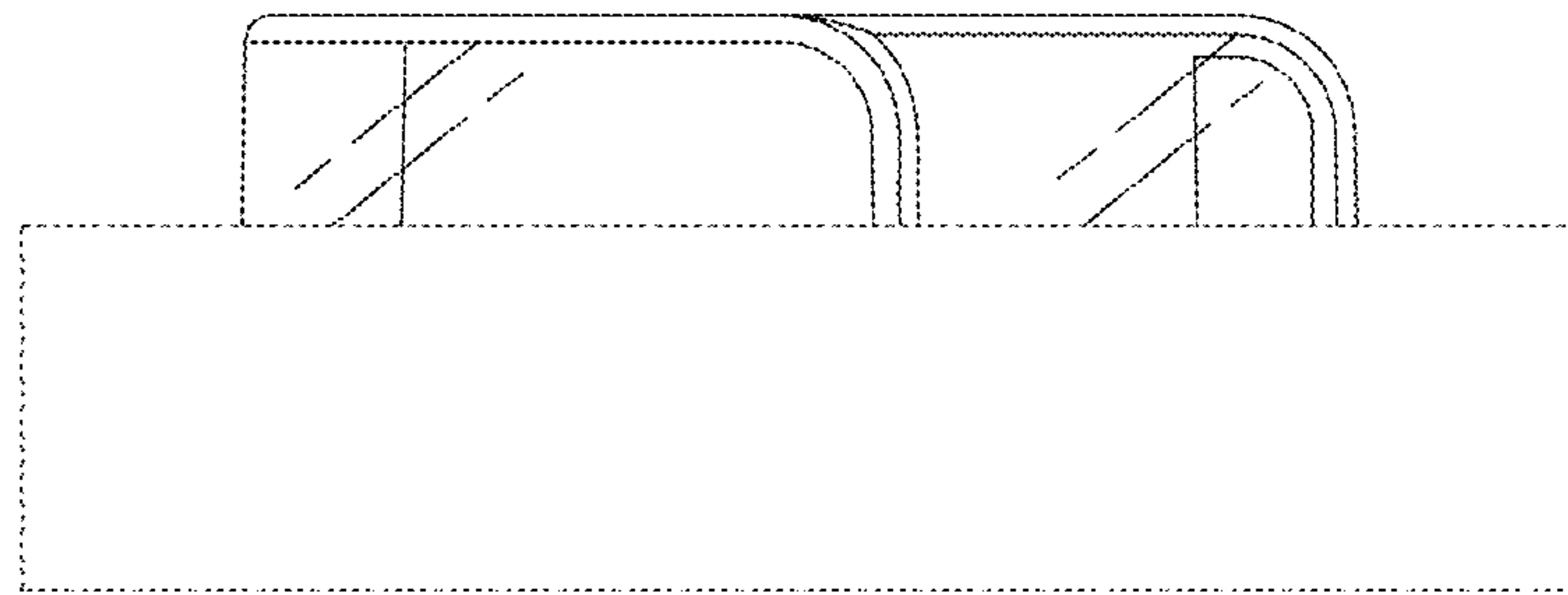


FIG. 7