



US00D816486S

(12) **United States Design Patent** (10) **Patent No.:** **US D816,486 S**
Su (45) **Date of Patent:** **** May 1, 2018**

(54) **PACKING CASE FOR LOCK DEVICES**

(71) Applicant: **TAIWAN FU HSING INDUSTRIAL CO., LTD.,** Kaohsiung (TW)

(72) Inventor: **Yu-Ying Su,** Kaohsiung (TW)

(73) Assignee: **TAIWAN FU HSING INDUSTRIAL CO., LTD.,** Kaohsiung (TW)

(**) Term: **15 Years**

(21) Appl. No.: **29/583,780**

(22) Filed: **Nov. 9, 2016**

(30) **Foreign Application Priority Data**

Sep. 12, 2016 (TW) 105305381

(51) **LOC (11) Cl.** **09-03**

(52) **U.S. Cl.**
USPC **D9/424**

(58) **Field of Classification Search**

USPC D9/415, 418, 424, 732

CPC B65D 75/327; B65D 75/36; B65D 75/366;

B65D 75/367; B65D 75/32; B65D

2575/3245; B65D 75/326; B65D

2575/366; B65D 2585/88; B65D 75/322;

B65D 77/2032; B65D 5/4204; B65D

75/22; B65D 77/0413; B65D 5/4208;

B65D 77/02; B65D 25/22; B65D

75/5833; B65D 85/00; B65D 2543/00194;

B65D 2301/20; B65D 2575/3218; B65D

73/0007; B65D 73/0042

See application file for complete search history.

(56) **References Cited**

U.S. PATENT DOCUMENTS

D233,581 S * 11/1974 Bridges et al. D7/552.2

D262,865 S * 2/1982 Lecordier D9/415

D329,017 S * 9/1992 Goodale D9/415

D373,527 S *	9/1996	Phillips	D9/415
D396,632 S *	8/1998	Lee	D9/415
D441,286 S	5/2001	Clarke		
D463,978 S	10/2002	DiMartino		
D506,130 S *	6/2005	Metaxatos	D9/415
D629,680 S *	12/2010	Sondors, IV	D9/418
D703,544 S *	4/2014	Limback	D9/652
D746,130 S *	12/2015	Johnson	D9/418
D747,963 S	1/2016	Scalise		
D767,987 S *	10/2016	Wu	D9/415
2013/0062240 A1 *	3/2013	Trontel	B65D 73/0064
				206/459.5
2014/0209497 A1 *	7/2014	Jacobus	B65D 75/368
				206/468
2015/0217920 A1 *	8/2015	Madron	B65D 75/30
				53/467

FOREIGN PATENT DOCUMENTS

JP	D1533048	9/2015
JP	D1558790	9/2016
KR	300263350	9/2000

* cited by examiner

Primary Examiner — Lauren R Calve

(74) *Attorney, Agent, or Firm* — Winston Hsu

(57) **CLAIM**

The ornamental design for a packing case for lock devices, as shown and described.

DESCRIPTION

FIG. 1 is a front, right, top perspective view of a packing case for lock devices showing my new design;

FIG. 2 is a front elevational view thereof;

FIG. 3 is a rear elevational view thereof;

FIG. 4 is a left side elevational view thereof;

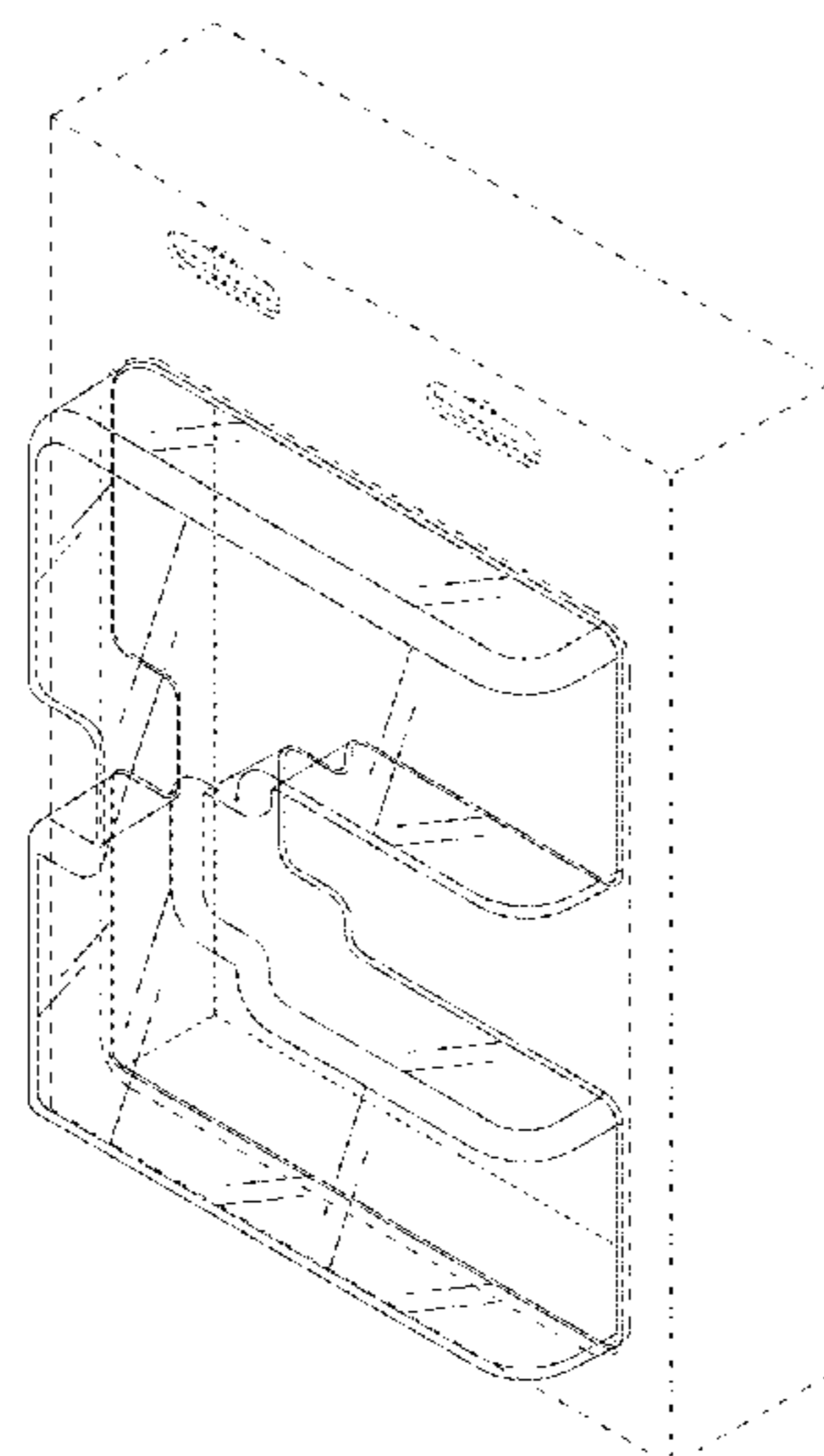
FIG. 5 is a right side elevational view thereof;

FIG. 6 is a top plan view thereof; and,

FIG. 7 is a bottom plan view thereof.

The broken lines shown represent unclaimed subject matter and form no part of the claimed design.

1 Claim, 7 Drawing Sheets



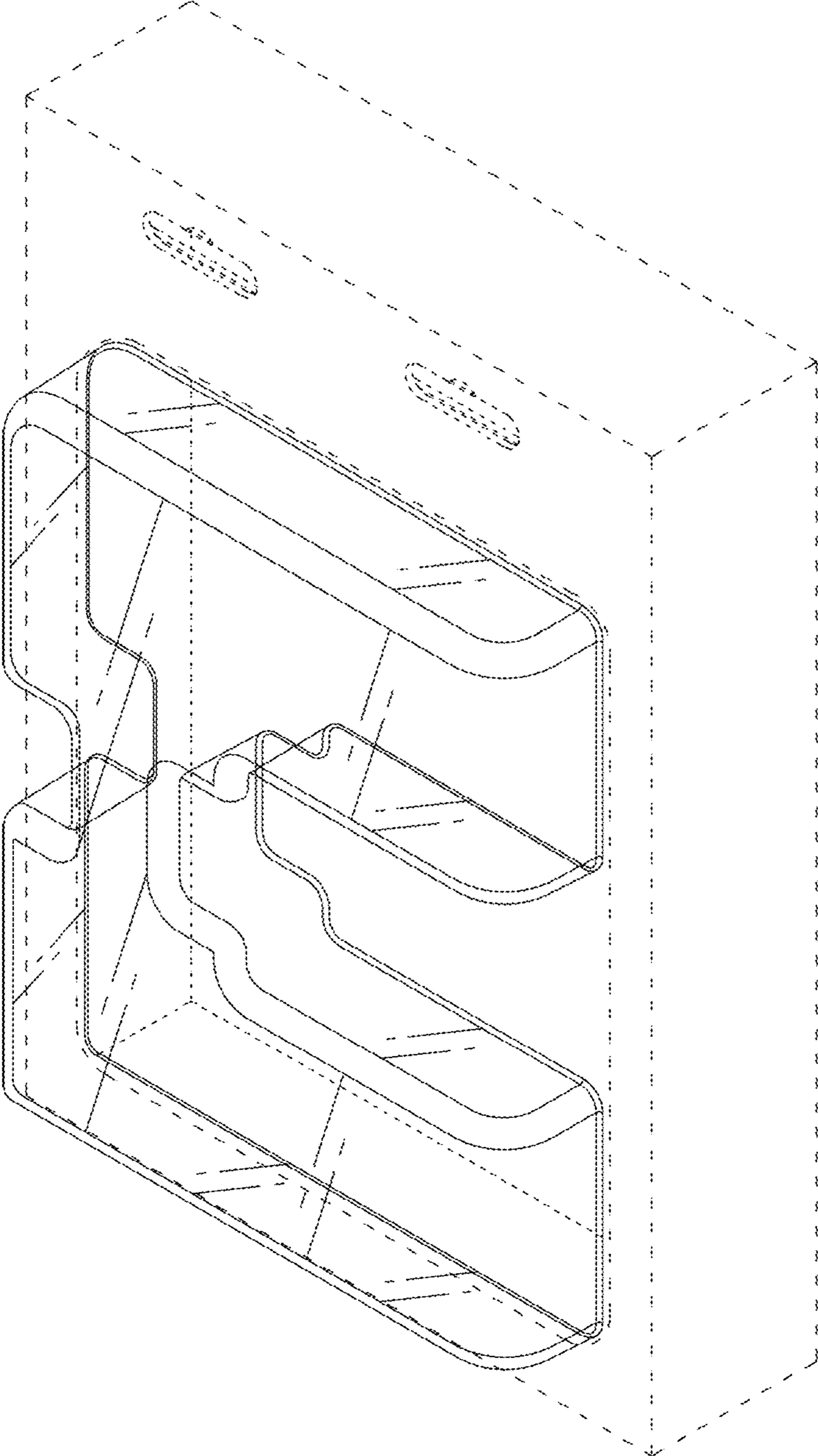


FIG. 1

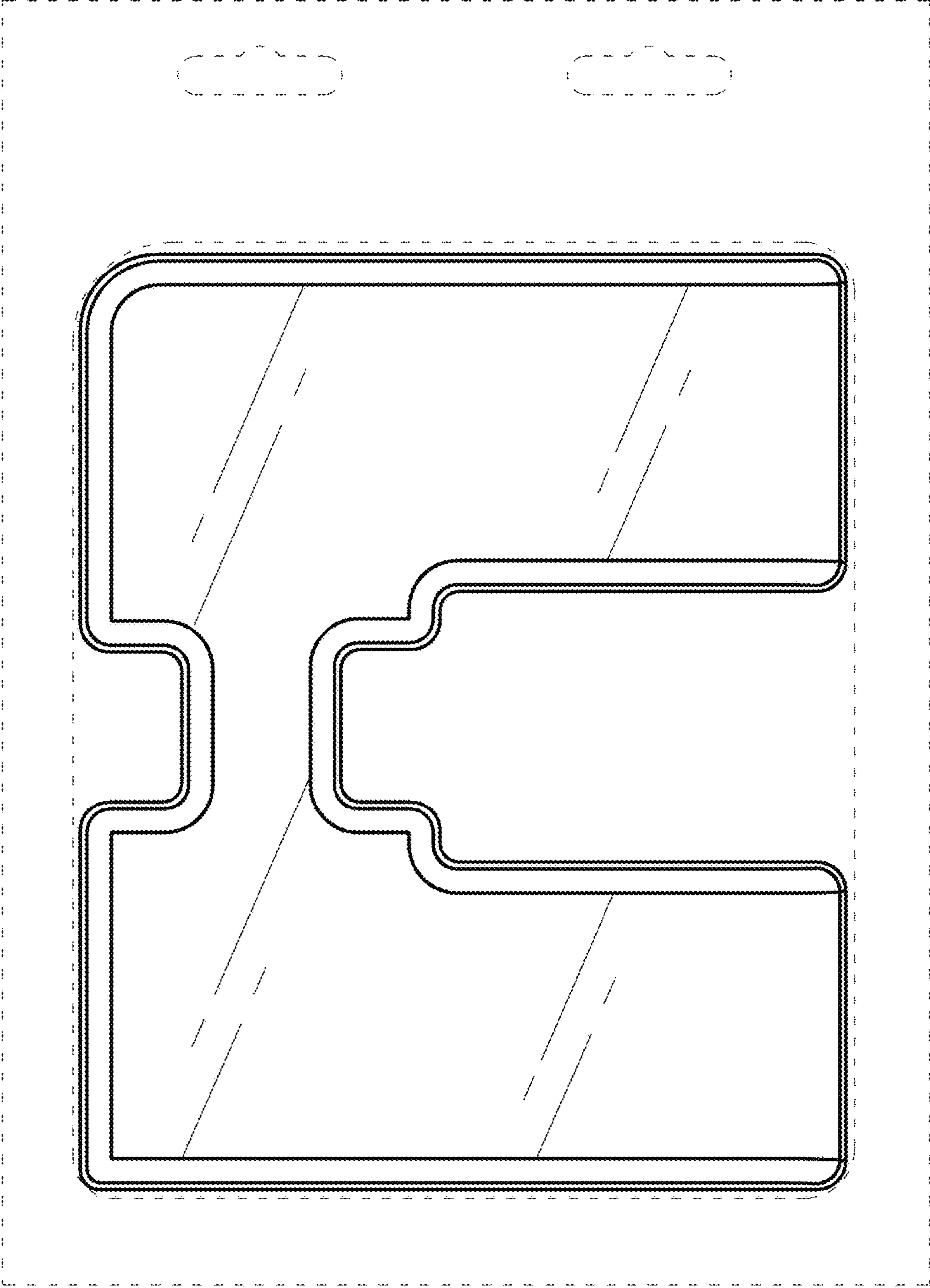


FIG. 2



FIG. 3

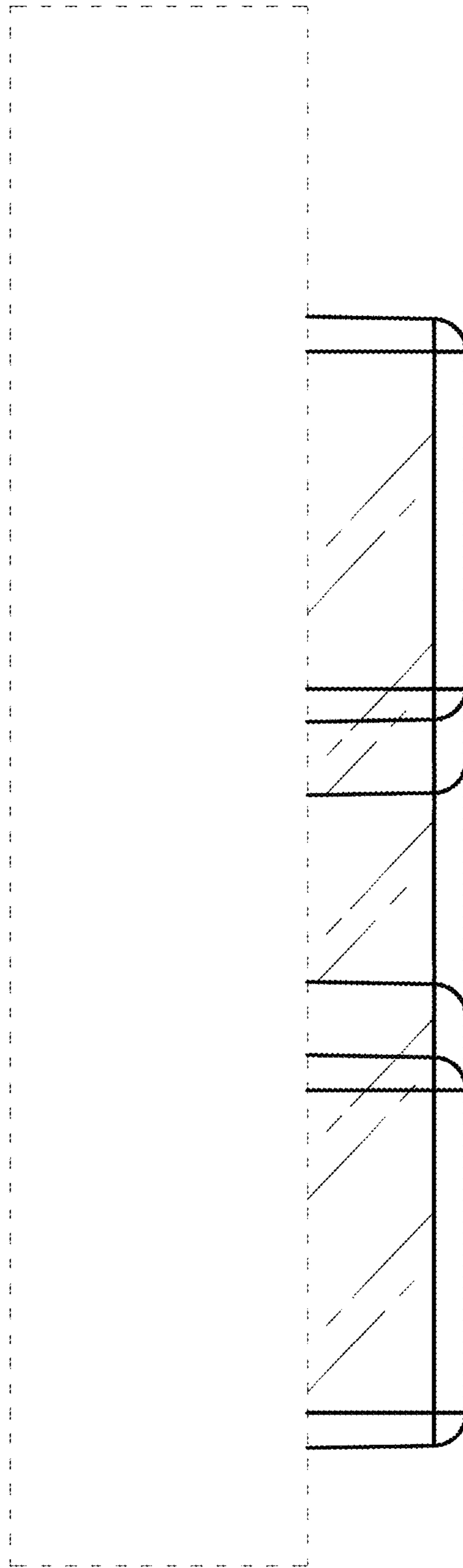


FIG. 4

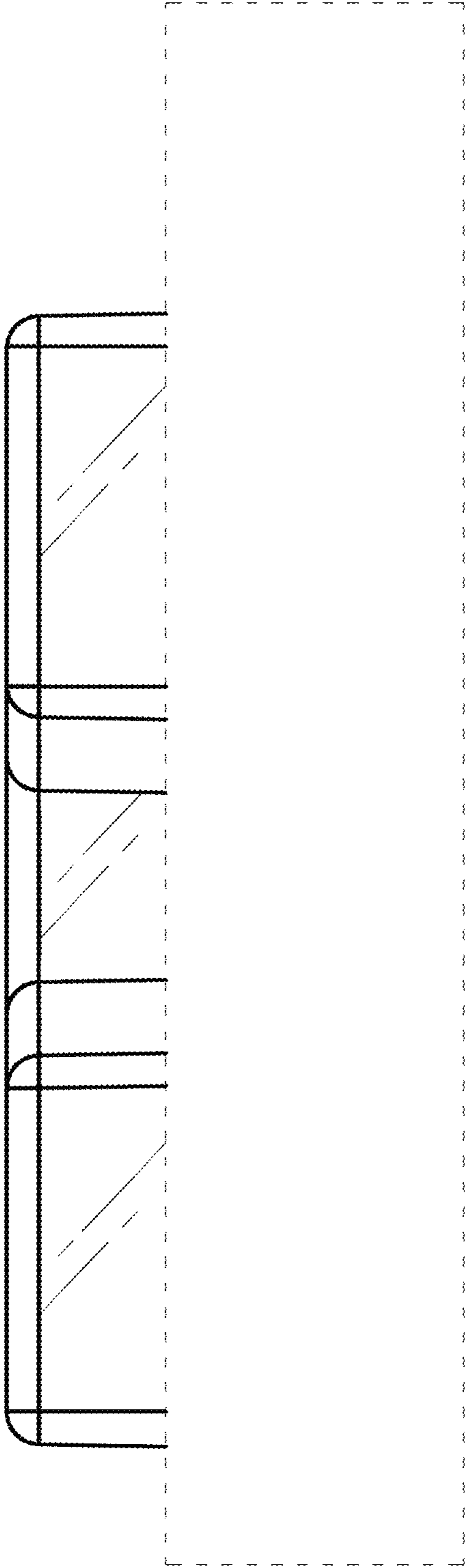


FIG. 5

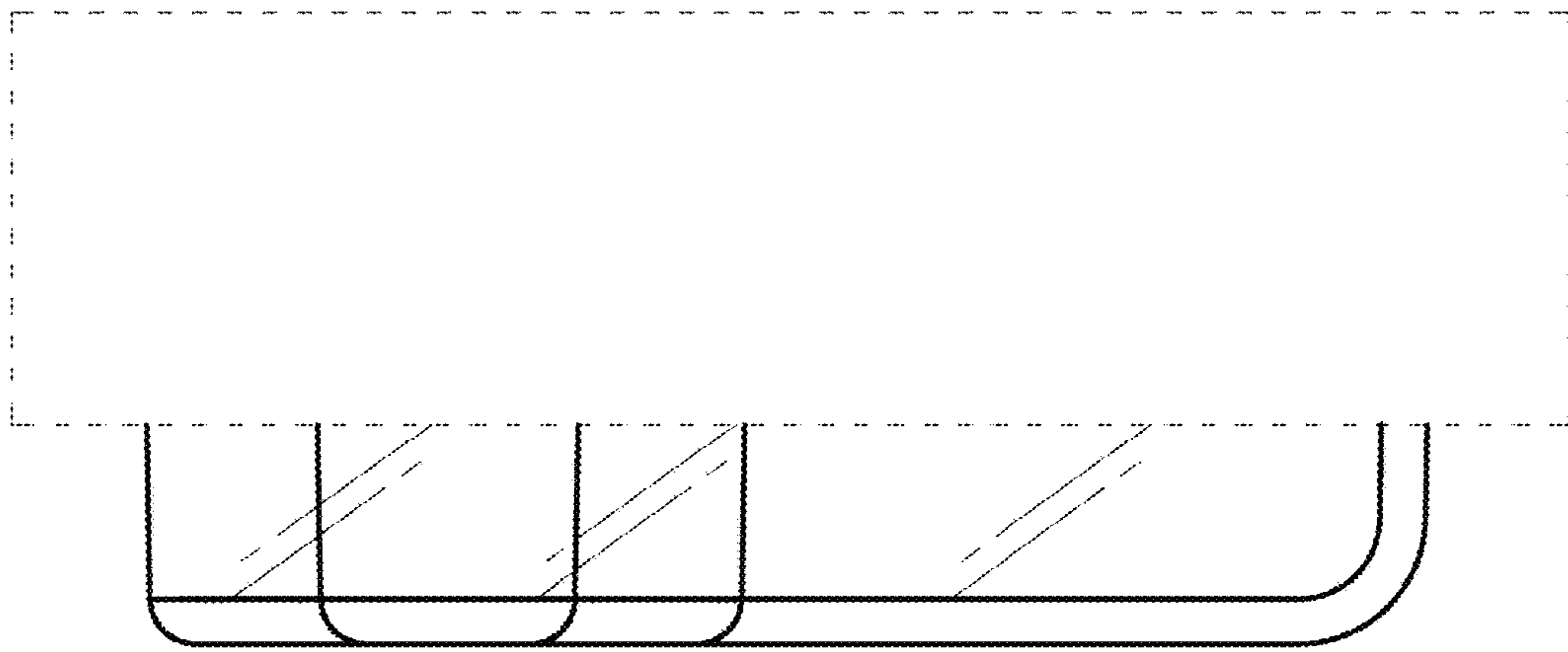


FIG. 6

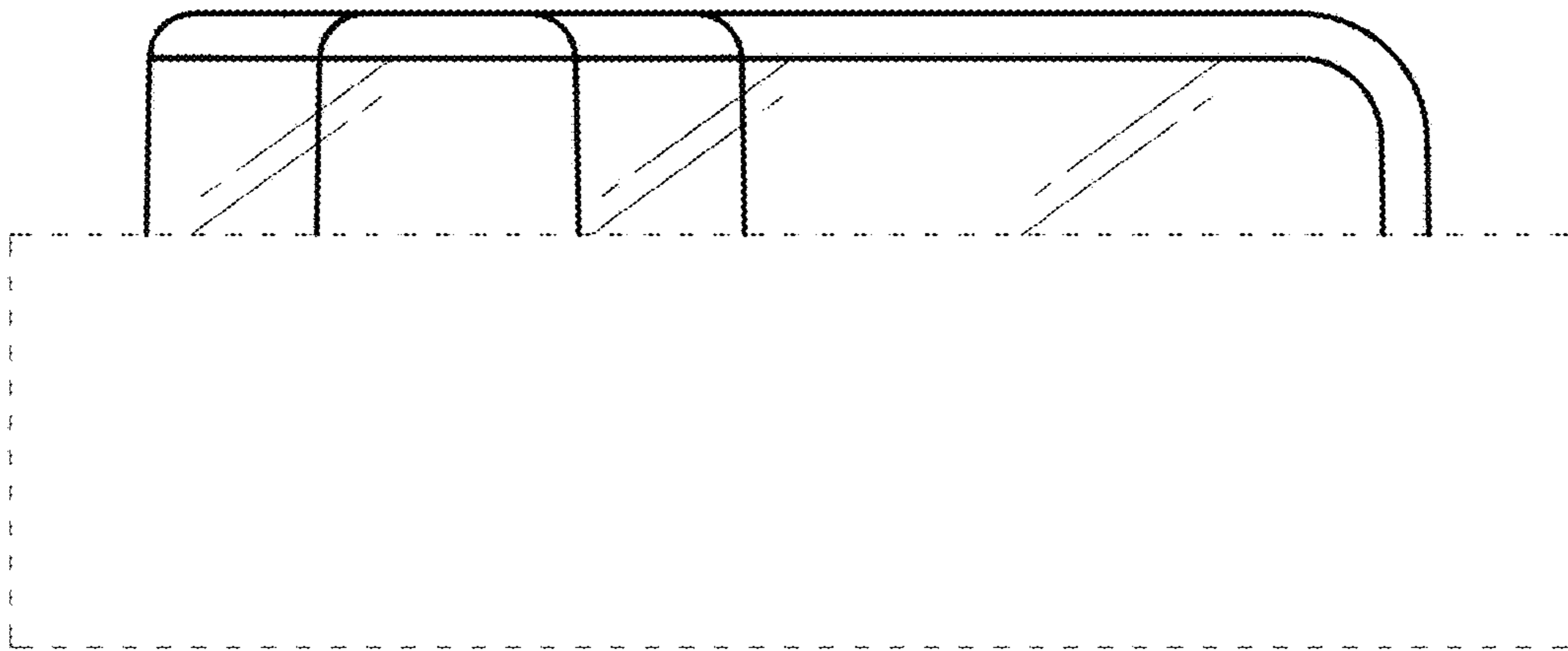


FIG. 7