



US00D816485S

(12) **United States Design Patent** (10) **Patent No.:** **US D816,485 S**
Su (45) **Date of Patent:** **** May 1, 2018**

(54) **PACKING CASE FOR LOCK DEVICES**

4,512,474 A * 4/1985 Harding B65D 75/225
206/461

(71) Applicant: **TAIWAN FU HSING INDUSTRIAL CO., LTD.**, Kaohsiung (TW)

4,805,766 A * 2/1989 Garcia B65D 75/367
206/461

(72) Inventor: **Yu-Ying Su**, Kaohsiung (TW)

4,867,304 A * 9/1989 Garcia B65D 75/367
206/461

(73) Assignee: **TAIWAN FU HSING INDUSTRIAL CO., LTD.**, Kaohsiung (TW)

D331,012 S 11/1992 Karita

D366,828 S * 2/1996 Bachand D9/425

D373,527 S * 9/1996 Phillips D9/415

D396,632 S * 8/1998 Lee D9/415

D449,780 S * 10/2001 Corella D9/415

D463,978 S 10/2002 DiMartino

D519,364 S * 4/2006 Kopp D9/415

D534,795 S * 1/2007 Manuel D9/424

D592,135 S * 5/2009 Hung D13/120

D596,023 S * 7/2009 Moskowitz D9/418

D629,680 S * 12/2010 Sondors D9/418

D697,398 S 1/2014 Guevara-Ludt

D703,544 S * 4/2014 Limback D9/652

(Continued)

(**) Term: **15 Years**

(21) Appl. No.: **29/583,771**

(22) Filed: **Nov. 8, 2016**

(30) **Foreign Application Priority Data**

Sep. 10, 2016 (TW) 105305370

(51) **LOC (11) Cl.** **09-03**

(52) **U.S. Cl.**
USPC **D9/424**

(58) **Field of Classification Search**
USPC D9/415, 418, 424, 732
CPC B65D 75/327; B65D 75/36; B65D 75/366;
B65D 75/367; B65D 75/32; B65D
2575/3245; B65D 75/326; B65D
2575/366; B65D 2585/88; B65D 75/322;
B65D 77/2032; B65D 5/4204; B65D
75/22; B65D 77/0413; B65D 5/4208;
B65D 77/02; B65D 25/22; B65D
75/5833; B65D 85/00; B65D 2543/00194;
B65D 2301/20; B65D 2575/3218; B65D
73/0007; B65D 73/0042

See application file for complete search history.

(56) **References Cited**

U.S. PATENT DOCUMENTS

D256,777 S * 9/1980 Sorsjo D9/732
4,319,684 A * 3/1982 Backman B65B 7/26
206/464

FOREIGN PATENT DOCUMENTS

JP D1533048 9/2015

Primary Examiner — Lauren R Calve

(74) *Attorney, Agent, or Firm* — Winston Hsu

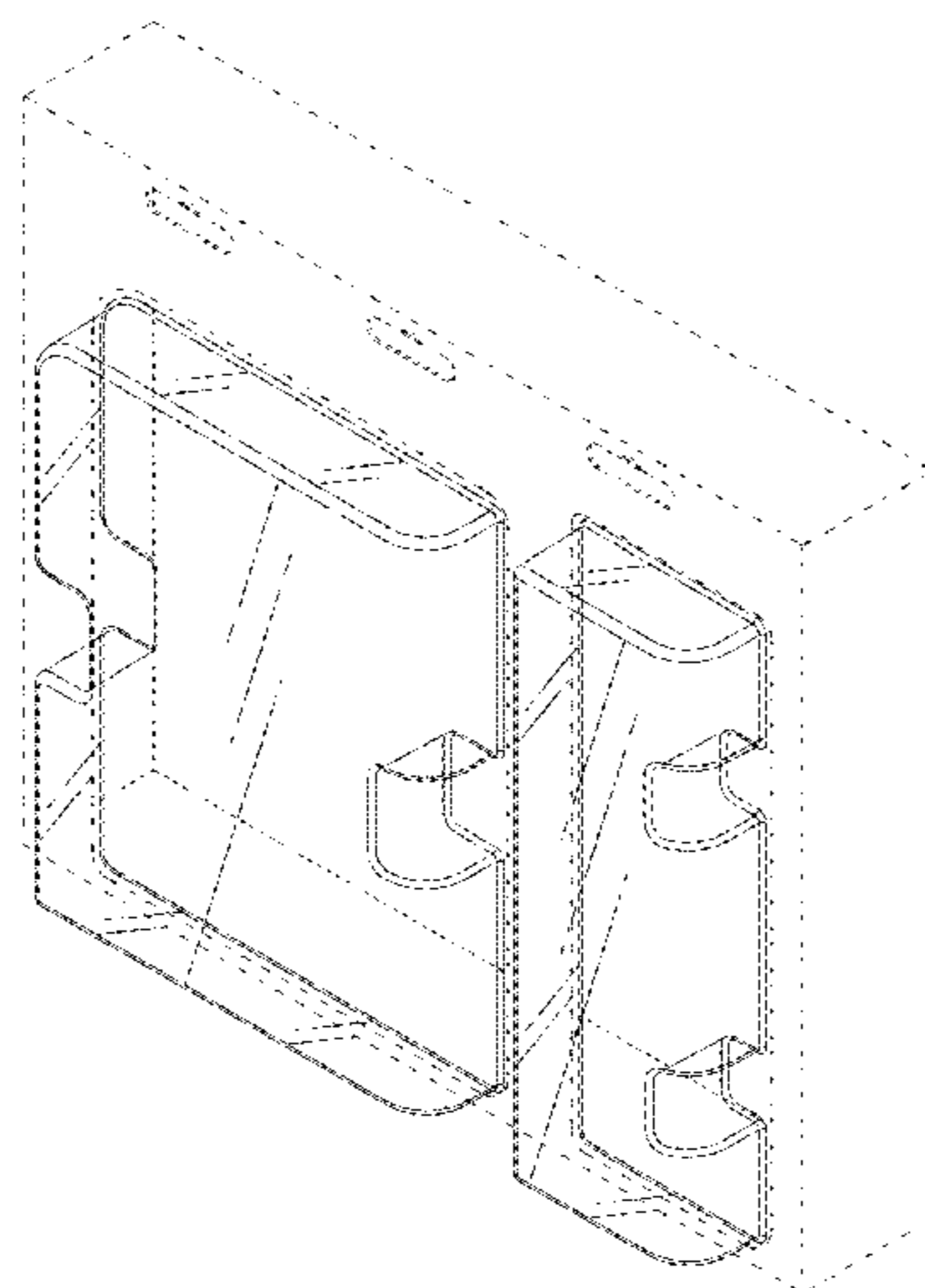
(57) **CLAIM**

The ornamental design for a packing case for lock devices, as shown and described.

DESCRIPTION

FIG. 1 is a front, right, top perspective view of a packing case for lock devices showing my new design; FIG. 2 is a front elevational view thereof; FIG. 3 is a rear elevational view thereof; FIG. 4 is a left side elevational view thereof; FIG. 5 is a right side elevational view thereof; FIG. 6 is a top plan view thereof; and, FIG. 7 is a bottom plan view thereof. The broken lines shown represent unclaimed subject matter and form no part of the claimed design.

1 Claim, 7 Drawing Sheets



(56)

References Cited

U.S. PATENT DOCUMENTS

D736,705 S * 8/2015 Brogan D13/108
D746,130 S * 12/2015 Johnson D9/418
9,701,449 B2 * 7/2017 Jacobus B65D 75/368
2005/0061759 A1 * 3/2005 Doucette B65D 75/367
211/85.4
2013/0062240 A1 * 3/2013 Trontel B65D 73/0064
206/459.5

* cited by examiner

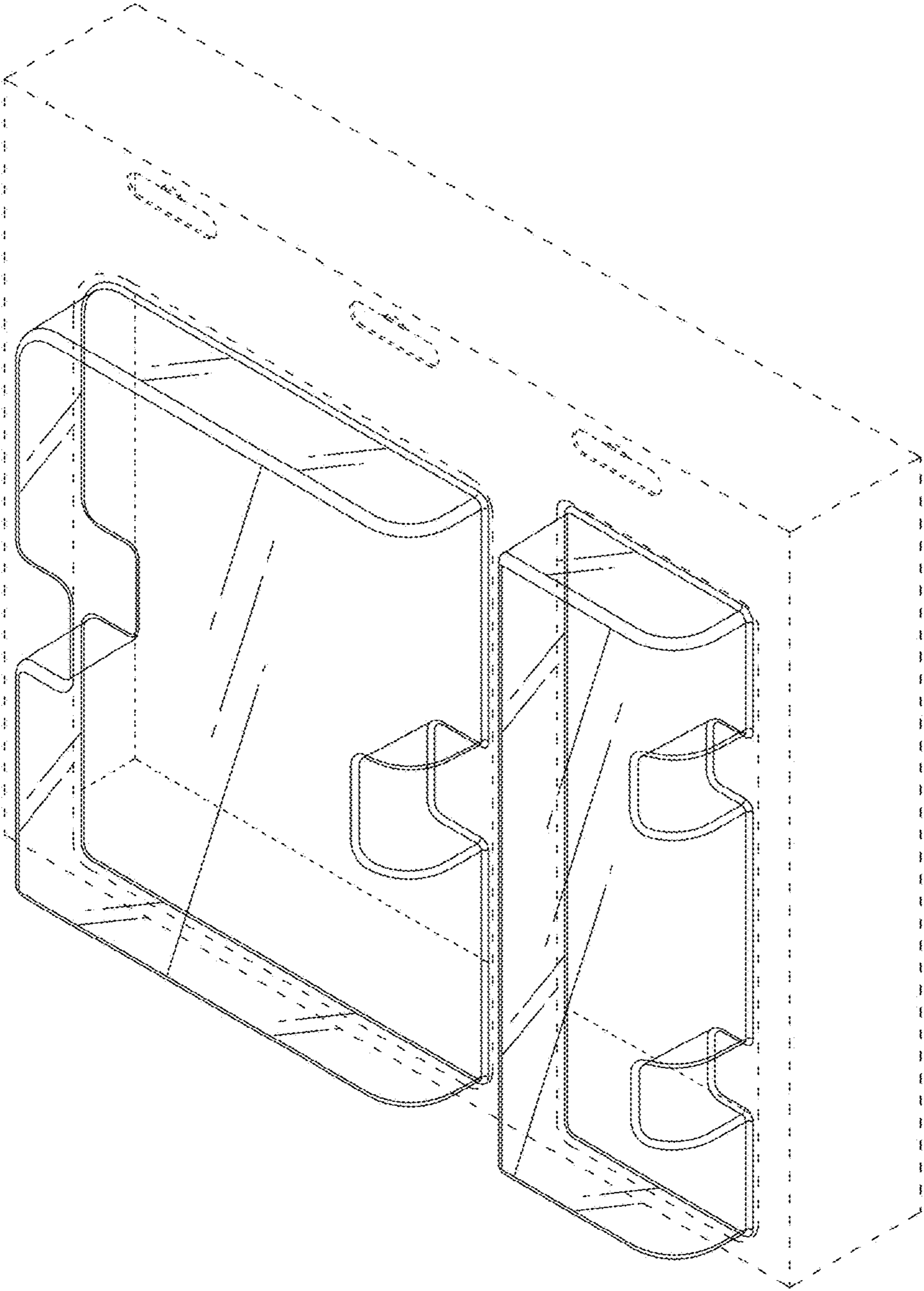


FIG. 1

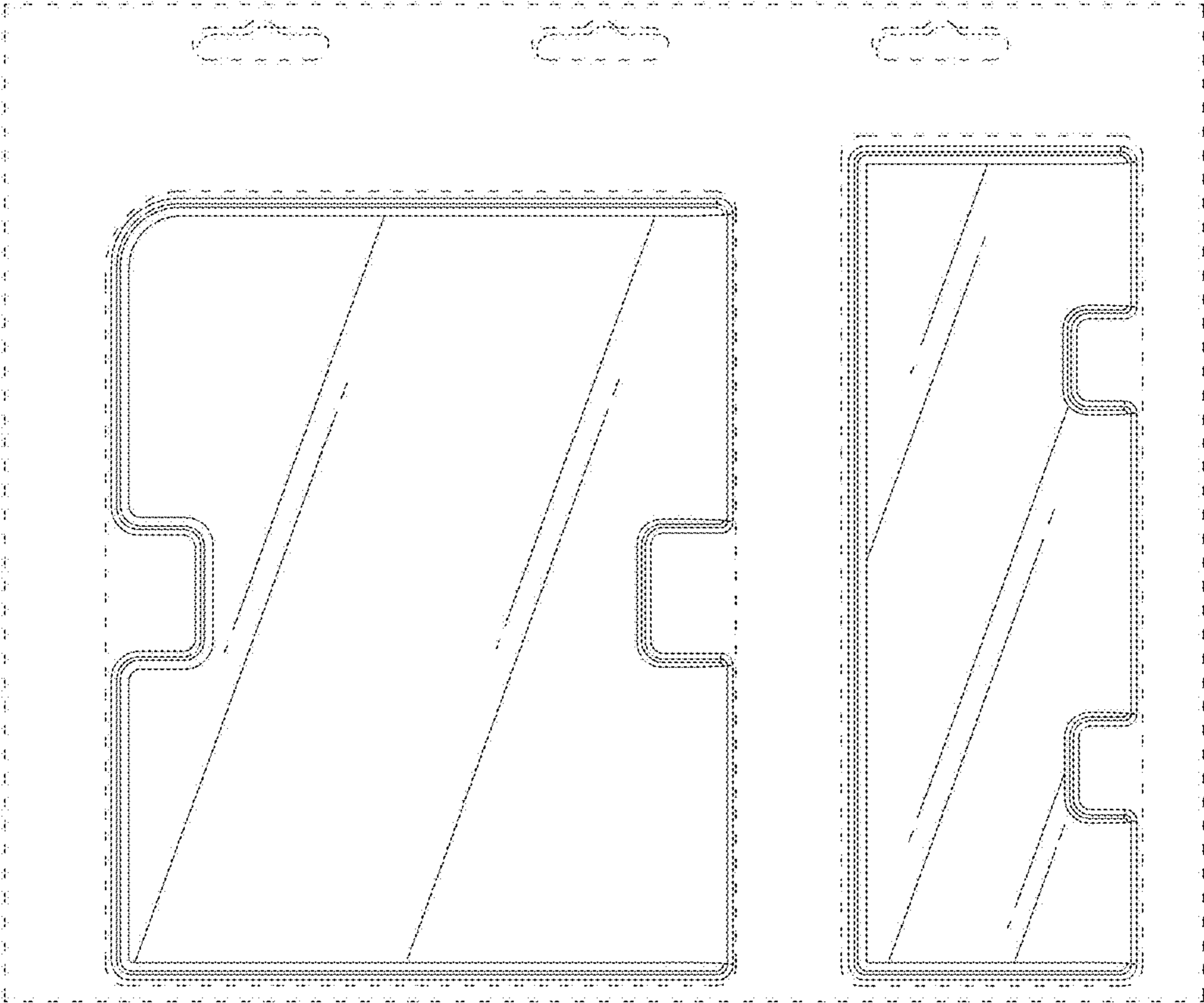


FIG. 2



FIG. 3

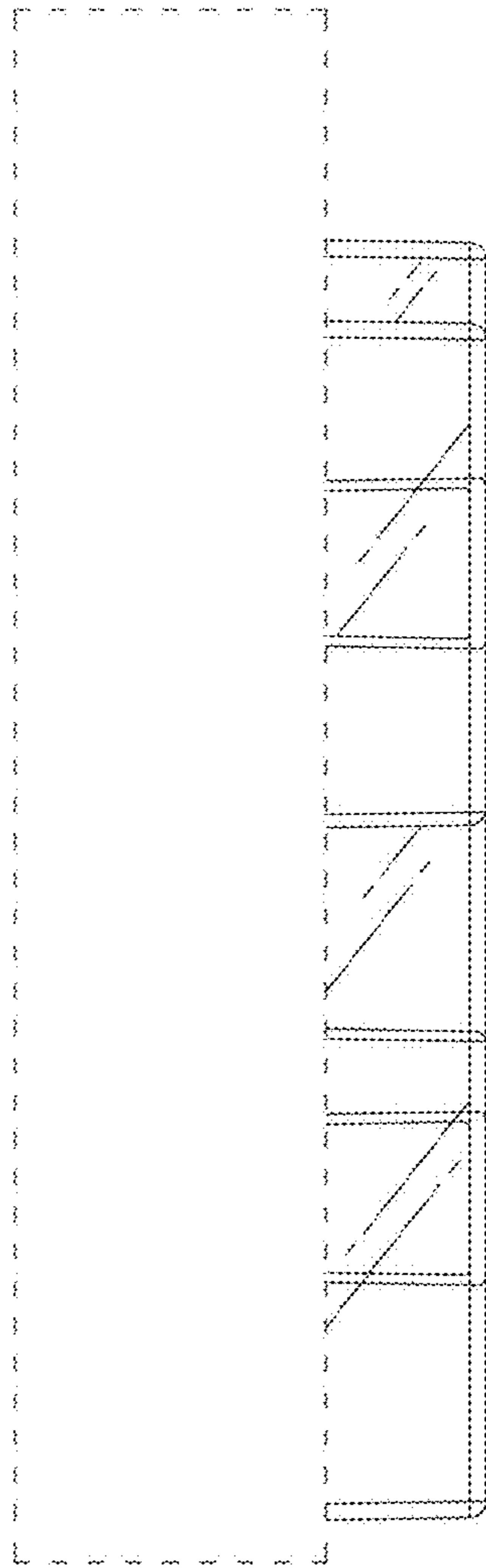


FIG. 4

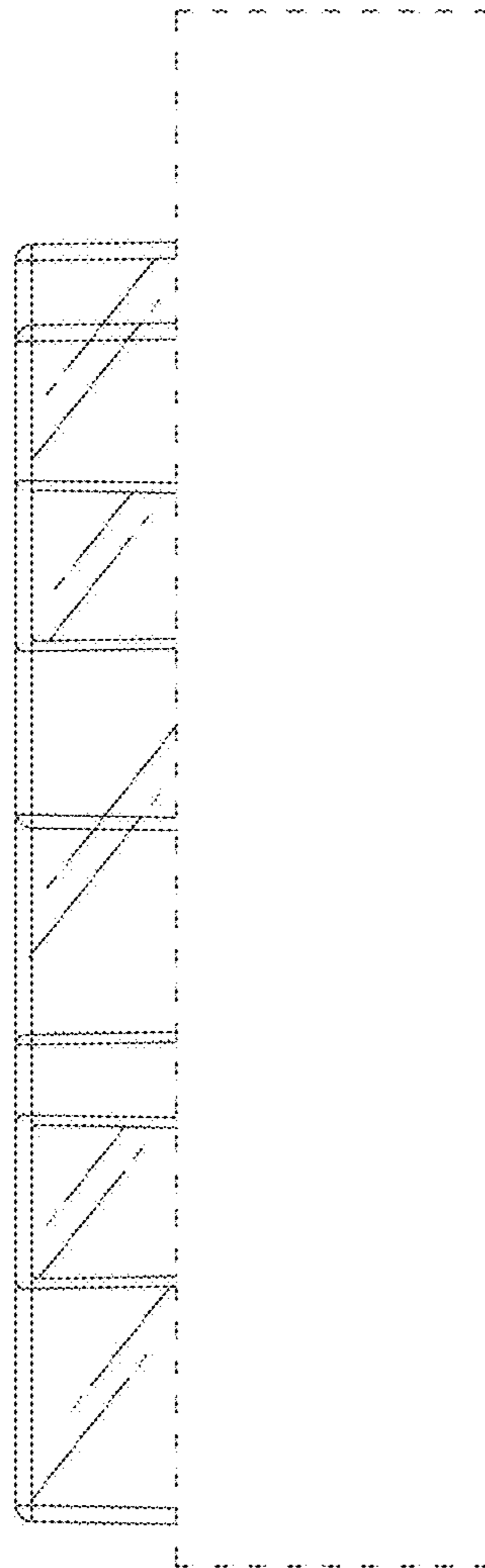


FIG. 5

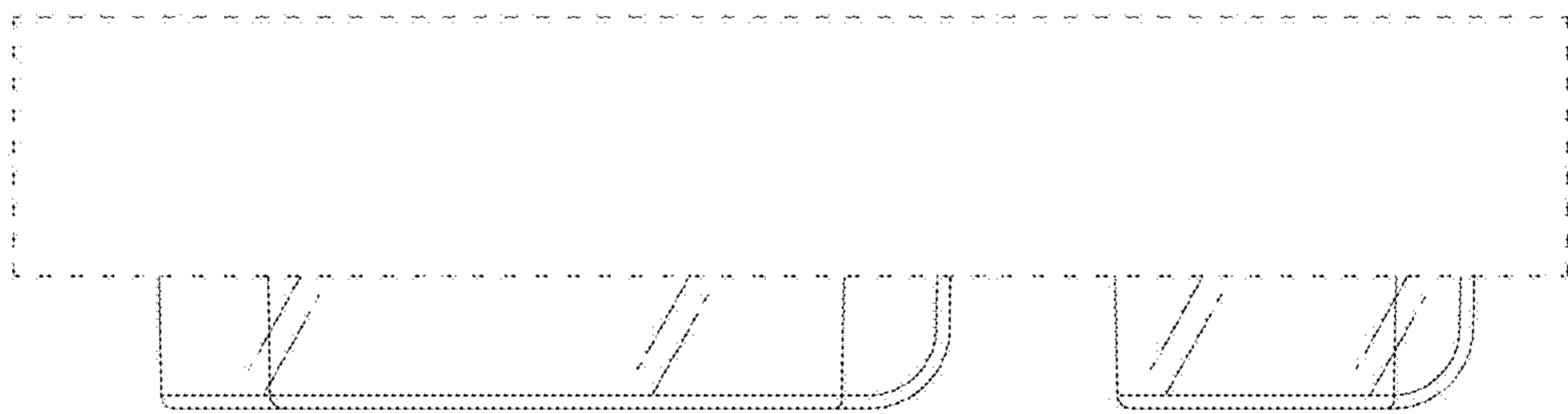


FIG. 6

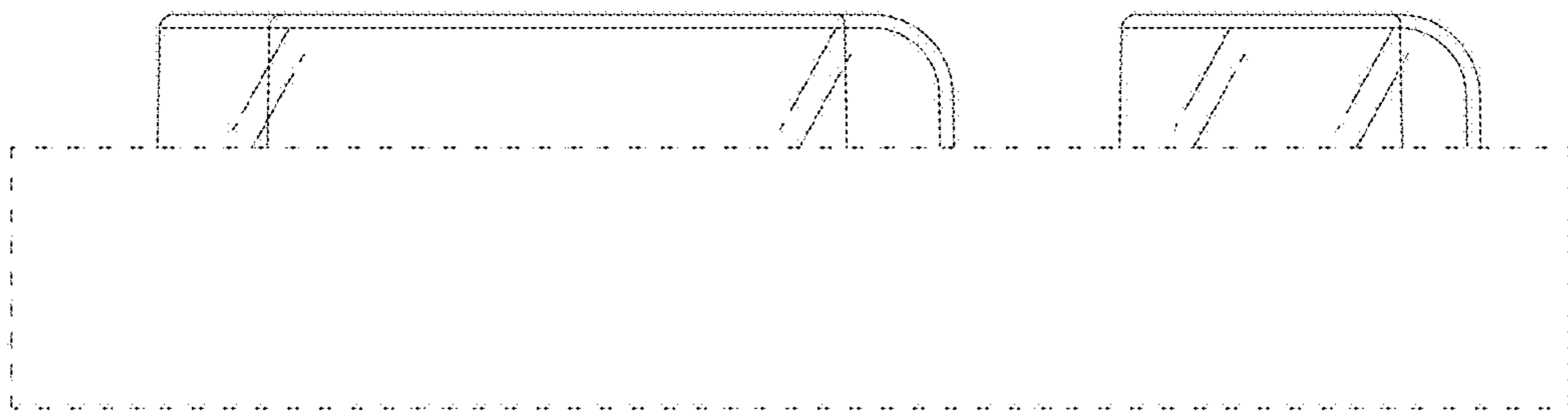


FIG. 7