



US00D816484S

(12) **United States Design Patent** (10) **Patent No.:** **US D816,484 S**  
**Su** (45) **Date of Patent:** **\*\* May 1, 2018**

- (54) **PACKING CASE FOR LOCK DEVICES** 4,319,684 A \* 3/1982 Backman ..... B65B 7/26  
206/464
- (71) Applicant: **TAIWAN FU HSING INDUSTRIAL** 4,512,474 A \* 4/1985 Harding ..... B65D 75/225  
**CO., LTD.,** Kaohsiung (TW) 206/461
- (72) Inventor: **Yu-Ying Su,** Kaohsiung (TW) D290,344 S \* 6/1987 Toms ..... D9/424  
D327,425 S 6/1992 Hamada  
D327,426 S 6/1992 Karita
- (73) Assignee: **TAIWAN FU HSING INDUSTRIAL** D331,011 S \* 11/1992 Karita ..... D9/415  
**CO., LTD.,** Kaohsiung (TW) D331,012 S 11/1992 Karita  
5,244,092 A \* 9/1993 Karita ..... B41J 2/16505  
206/462
- (\*\*) Term: **15 Years** D521,860 S \* 5/2006 Lee ..... D9/415  
D615,395 S \* 5/2010 Jefferies ..... D9/415  
8,573,397 B1 \* 11/2013 Fager ..... B65D 71/14  
206/320

(Continued)

(21) Appl. No.: **29/583,620**

(22) Filed: **Nov. 8, 2016**

(30) **Foreign Application Priority Data**

Sep. 10, 2016 (TW) ..... 105305368

(51) **LOC (11) Cl.** ..... **09-03**

(52) **U.S. Cl.**  
USPC ..... **D9/424**

(58) **Field of Classification Search**  
USPC ..... D9/415, 418, 424, 732; D13/103  
CPC .... B65D 75/327; B65D 75/36; B65D 75/366;  
B65D 75/367; B65D 75/32; B65D  
2575/3245; B65D 75/326; B65D  
2575/366; B65D 2585/88; B65D 75/322;  
B65D 77/2032; B65D 5/4204; B65D  
75/22; B65D 77/0413; B65D 5/4208;  
B65D 77/02; B65D 25/22; B65D  
75/5833; B65D 85/00; B65D 2543/00194;  
B65D 2301/20; B65D 2575/3218; B65D  
73/0007; B65D 73/0042

See application file for complete search history.

(56) **References Cited**

**U.S. PATENT DOCUMENTS**

- D167,977 S \* 10/1952 Francis ..... D9/414
- D175,541 S \* 9/1955 Francis ..... D9/426
- 3,338,400 A \* 8/1967 Edgworth ..... A61B 17/06133  
206/363

**FOREIGN PATENT DOCUMENTS**

- EM 0013336860001 7/2012
- EM 0013336860002 7/2012

(Continued)

*Primary Examiner* — Lauren R Calve  
(74) *Attorney, Agent, or Firm* — Winston Hsu

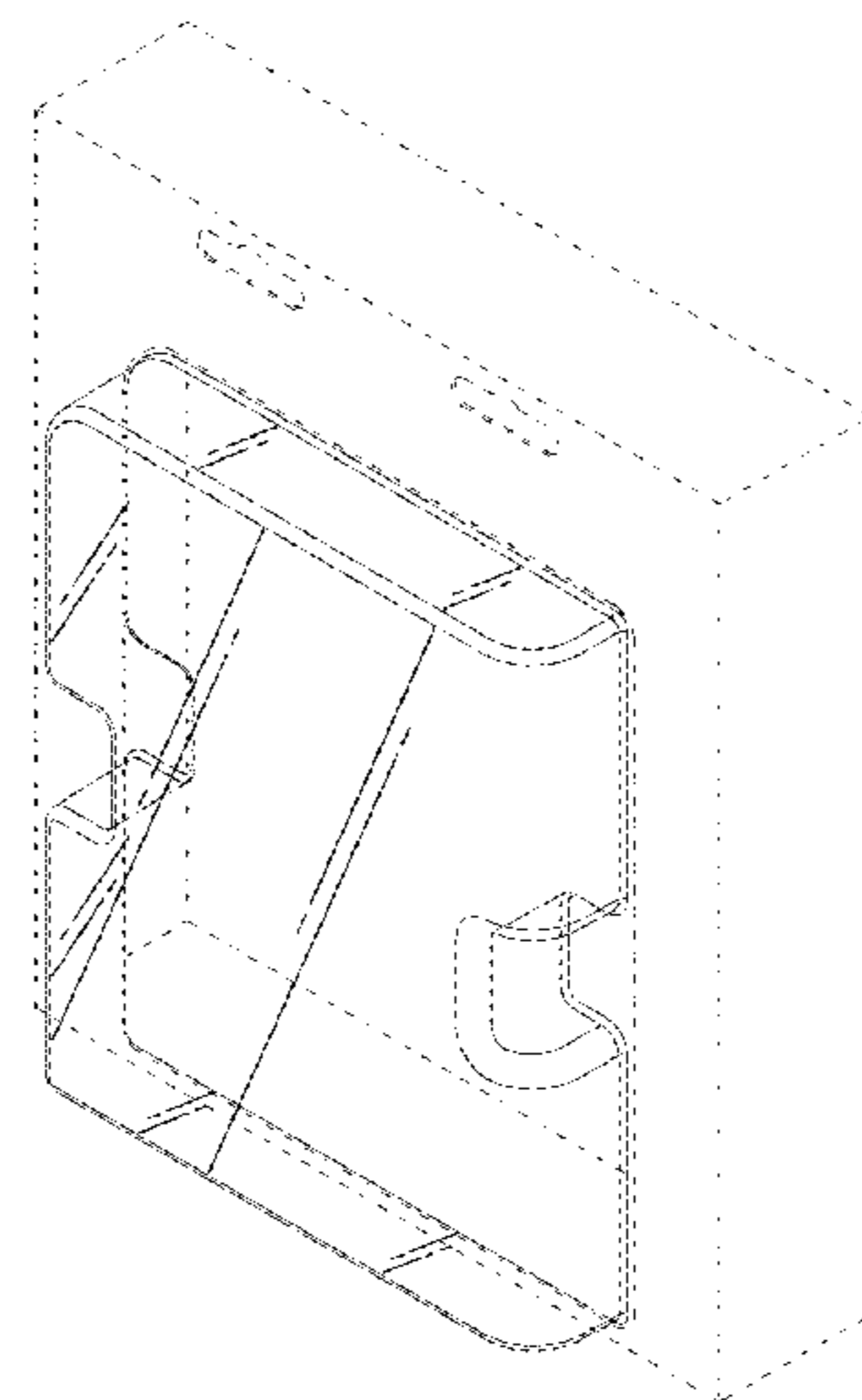
(57) **CLAIM**

The ornamental design for a packing case for lock devices, as shown and described.

**DESCRIPTION**

FIG. 1 is a front, right, top perspective view of a packing case for lock devices showing my new design; FIG. 2 is a front elevational view thereof; FIG. 3 is a rear elevational view thereof; FIG. 4 is a left side elevational view thereof; FIG. 5 is a right side elevational view thereof; FIG. 6 is a top plan view thereof; and, FIG. 7 is a bottom plan view thereof. The broken lines shown represent unclaimed subject matter and form no part of the claimed design.

**1 Claim, 6 Drawing Sheets**



(56)

**References Cited**

U.S. PATENT DOCUMENTS

D703,544 S \* 4/2014 Limback ..... D9/652  
9,701,449 B2 \* 7/2017 Jacobus ..... B65D 75/368  
2010/0314275 A1 \* 12/2010 Sconzert ..... B65D 75/22  
206/459.1

FOREIGN PATENT DOCUMENTS

EM 0013336860003 7/2012  
JP D1476694 8/2013  
KR 300705716 8/2013

\* cited by examiner

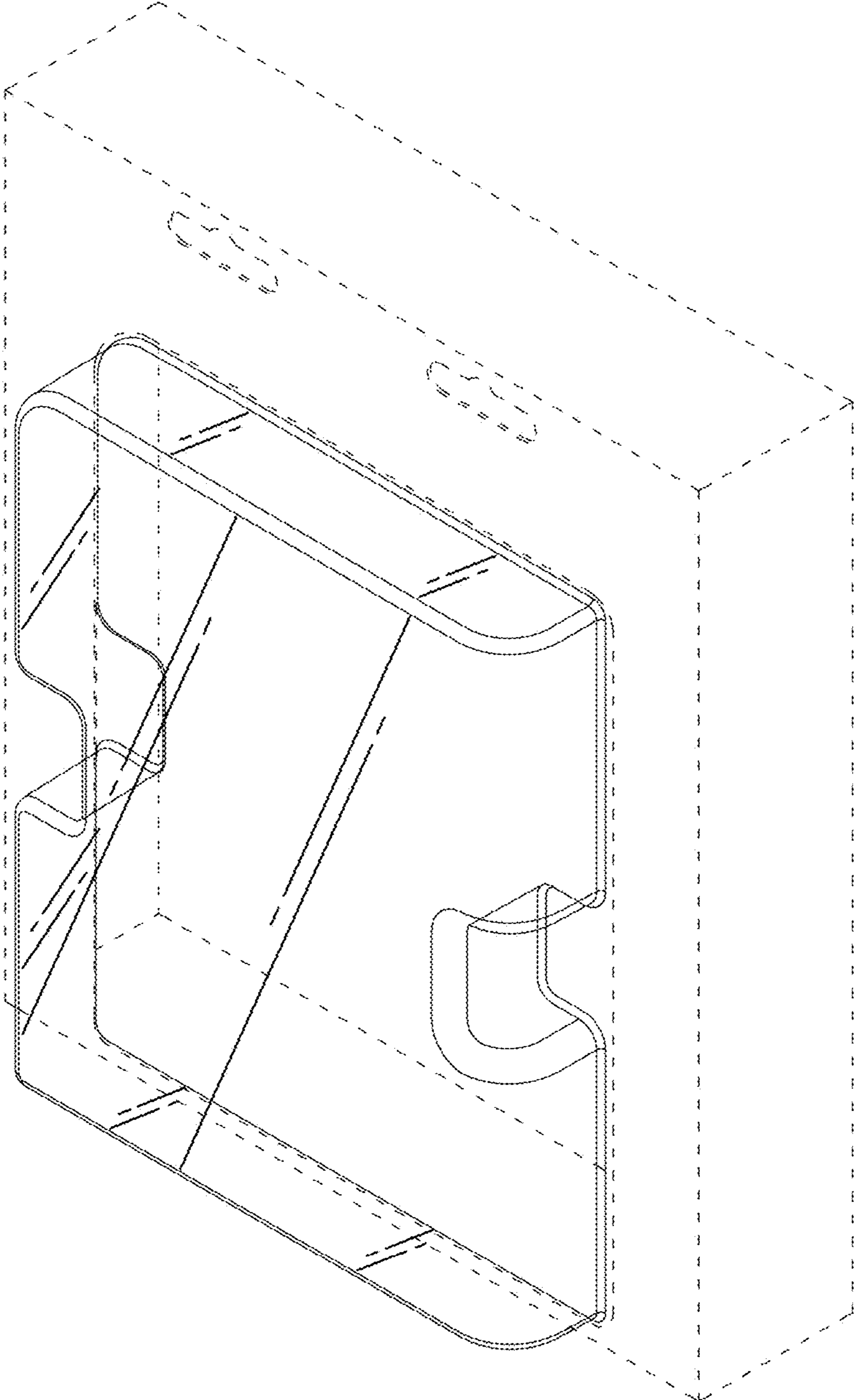


FIG. 1

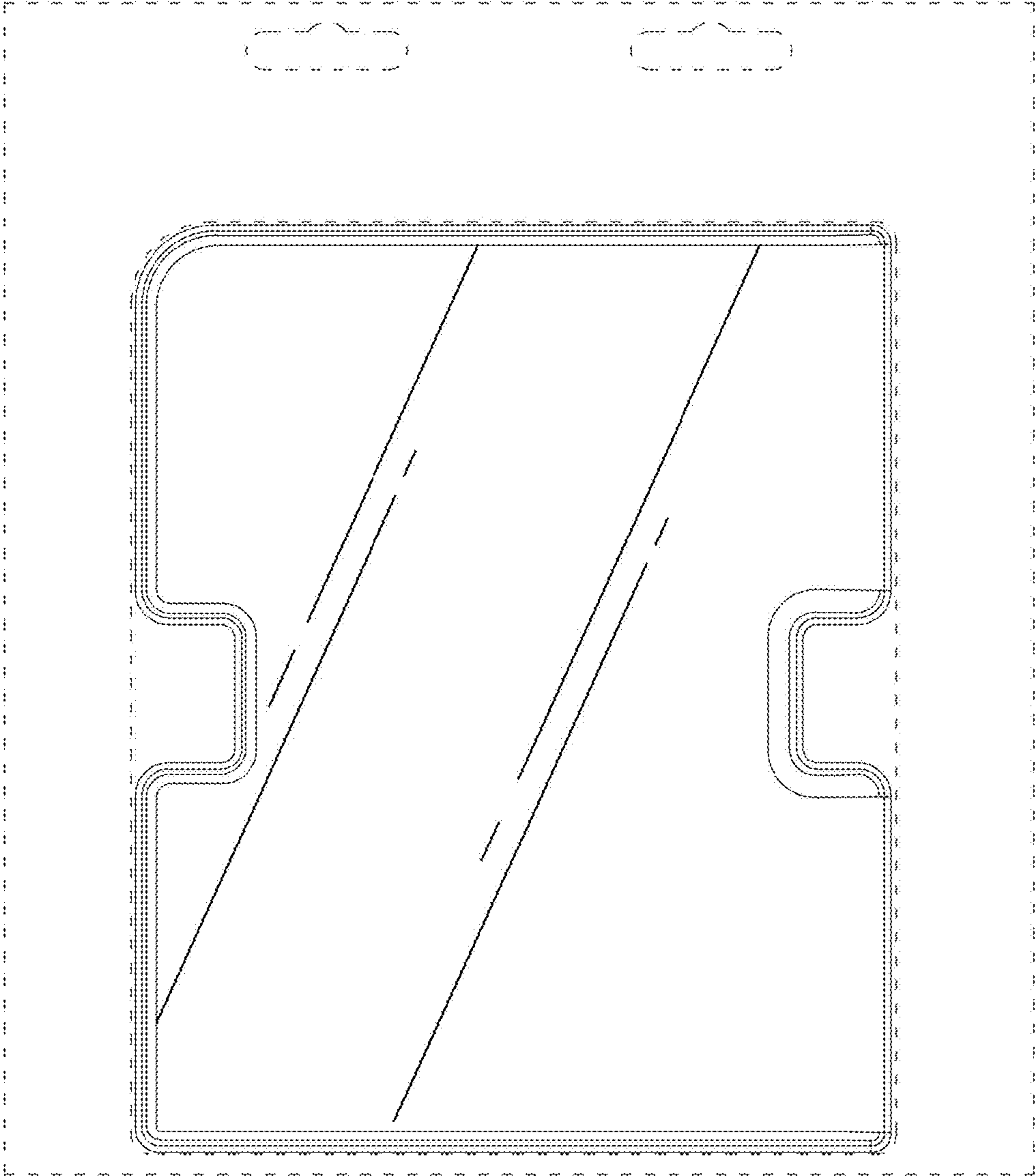


FIG. 2



FIG. 3

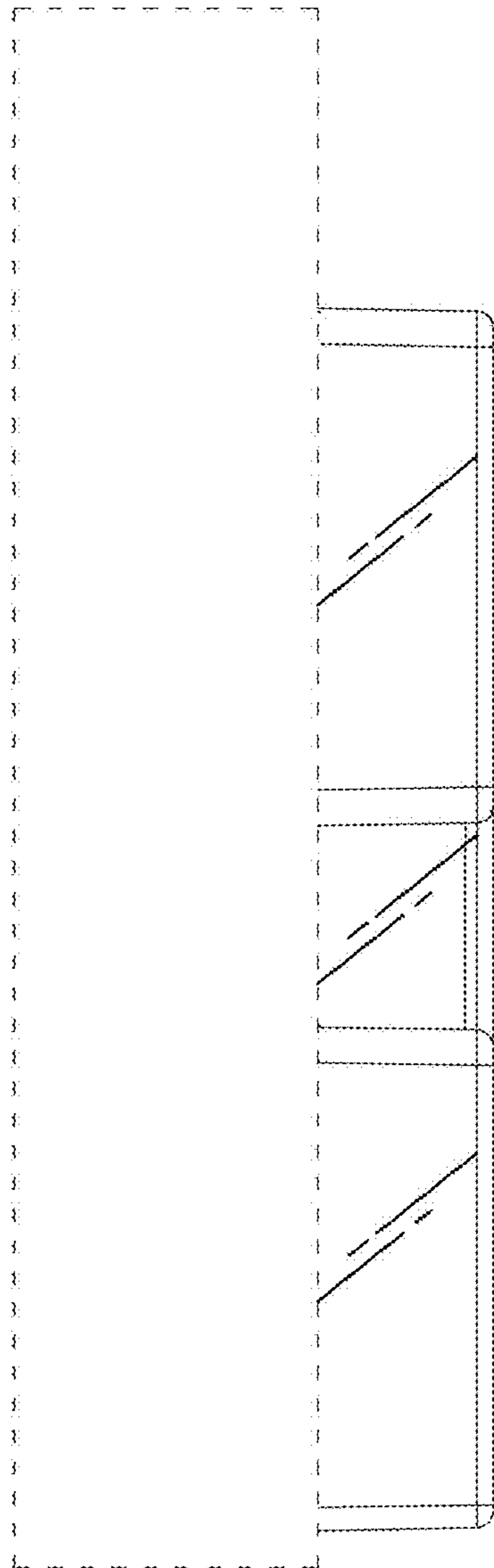


FIG. 4

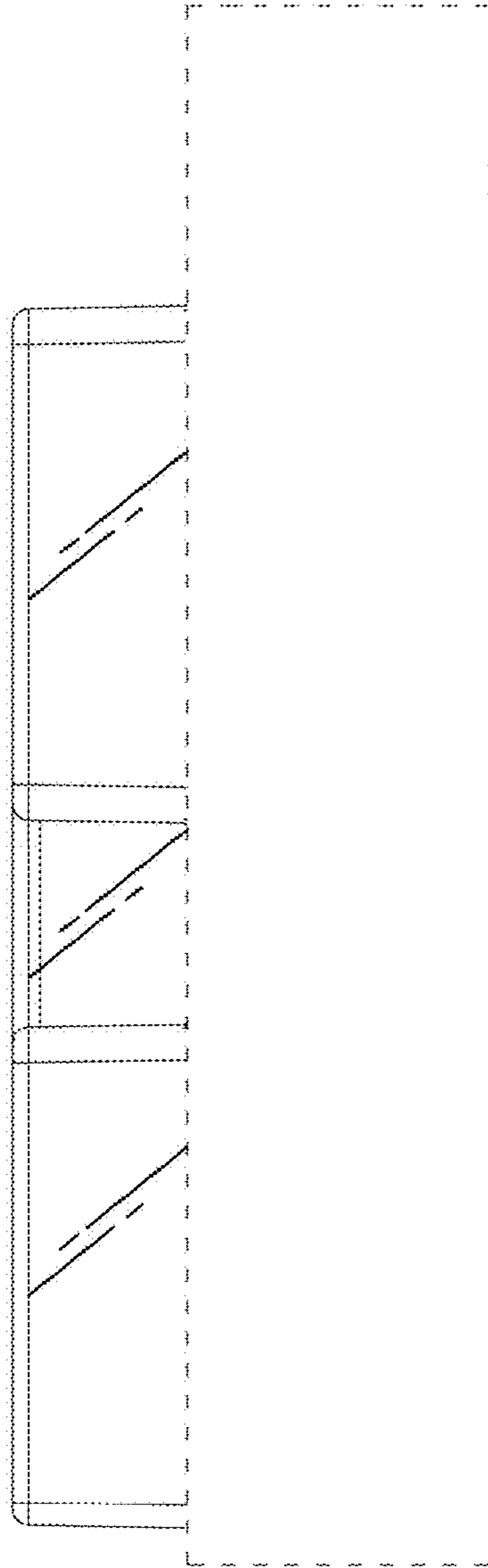


FIG. 5

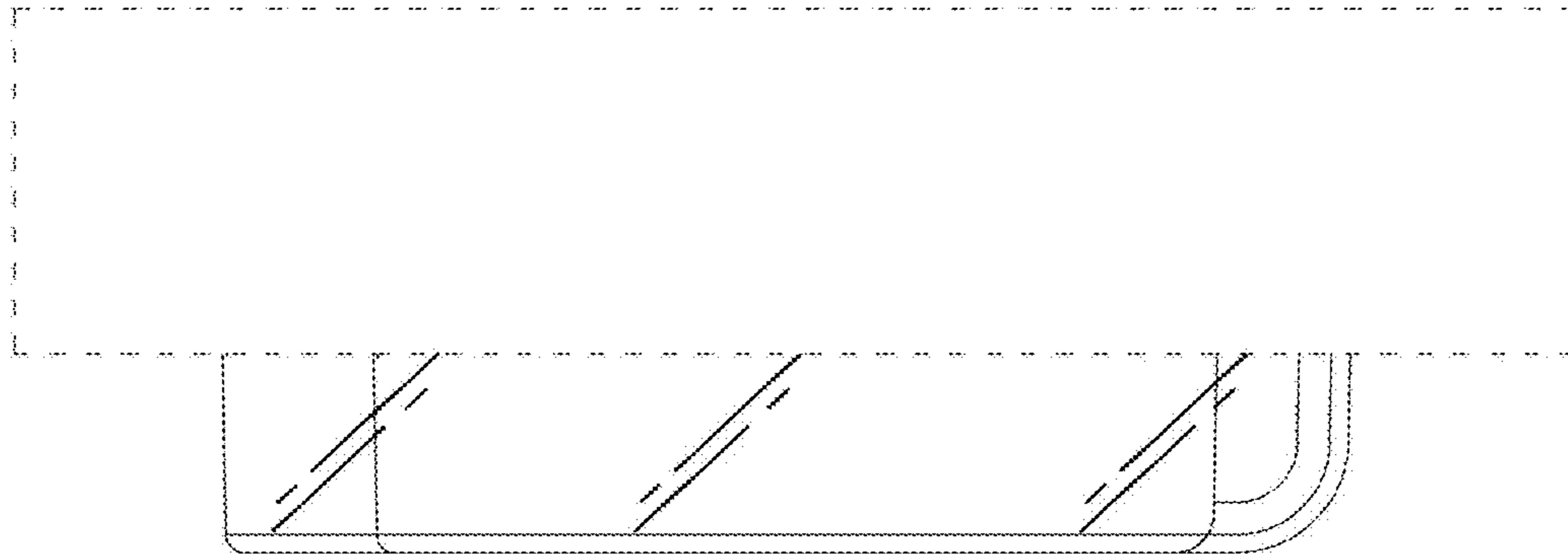


FIG. 6

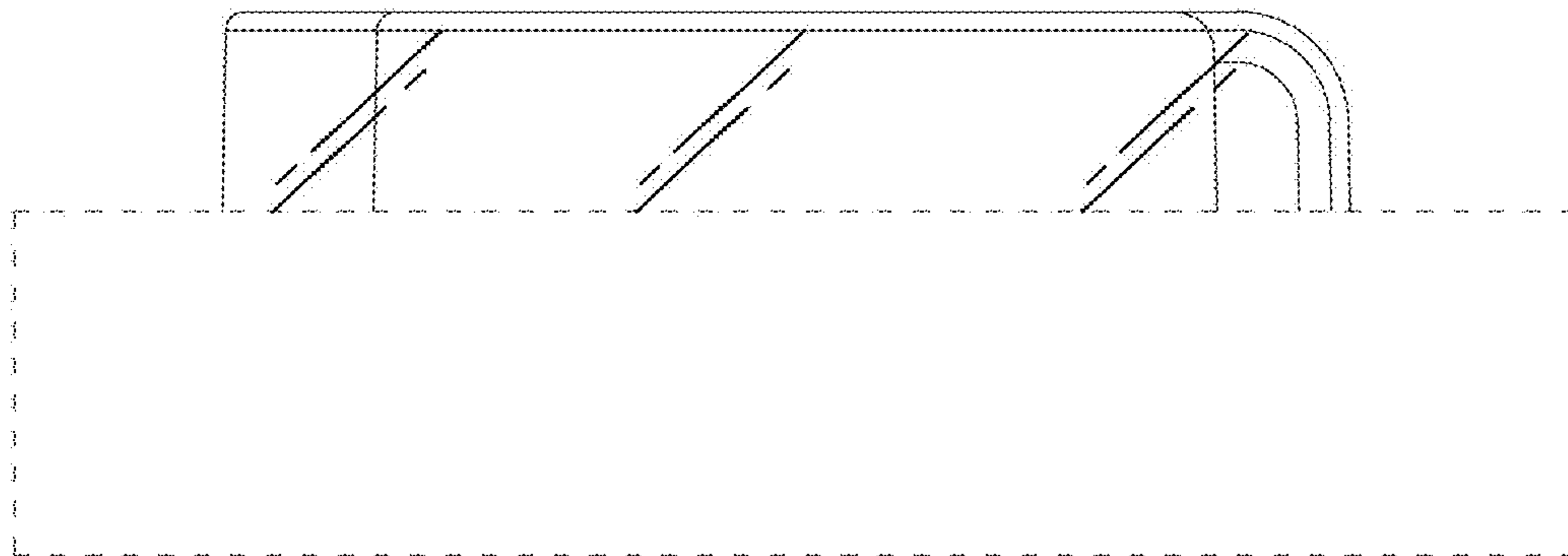


FIG. 7