



US00D816482S

(12) **United States Design Patent** (10) **Patent No.:** **US D816,482 S**
Street et al. (45) **Date of Patent:** **** May 1, 2018**

- (54) **PACKAGE FOR OSTOMY BARRIER RING**
- (71) Applicant: **Hollister Incorporated**, Libertyville, IL (US)
- (72) Inventors: **Cale N. Street**, Grayslake, IL (US); **Russell J. Todd**, Highland Park, IL (US); **Dion A. Jackson**, Chicago, IL (US)
- (73) Assignee: **HOLLISTER INCORPORATED**, Libertyville, IL (US)
- (**) Term: **14 Years**
- (21) Appl. No.: **29/509,878**
- (22) Filed: **Nov. 21, 2014**

Related U.S. Application Data

- (63) Continuation-in-part of application No. 29/478,080, filed on Dec. 31, 2013, now Pat. No. Des. 718,123.
- (51) **LOC (11) Cl.** **09-03**
- (52) **U.S. Cl.**
USPC **D9/423**; D9/415
- (58) **Field of Classification Search**
USPC D9/414, 418, 420, 423, 424, 425, 426, D9/715, 721; D6/632, 634, 635; D24/121, 128; 206/308.1, 756, 769, 771; 604/338
CPC G11B 33/0427; G11B 33/0422; G11B 33/045; G11B 33/0444; G11B 33/0494; G11B 33/0405; G11B 33/0411; G11B 33/0477; G11B 33/0466; G11B 23/0021; G11B 23/505; B65D 2543/00296; B65D 2543/00685; B65D 2543/00796; B65D 2543/00648; B65D 2543/00101; B65D 1/0223; B65D 51/24; B65D 5/4204; B65D 2575/586
See application file for complete search history.

- (56) **References Cited**
- U.S. PATENT DOCUMENTS

3,710,975 A	1/1973	Jansen	
D266,742 S *	11/1982	Claxton	D18/12
D293,507 S *	1/1988	Ogusu	D14/479
D307,243 S *	4/1990	Baker	D9/426
D317,255 S *	6/1991	Turk	D9/424
D324,300 S *	3/1992	Yasuhara	D6/310
5,220,999 A	6/1993	Goulette	
D347,320 S *	5/1994	Du Corday	D6/634

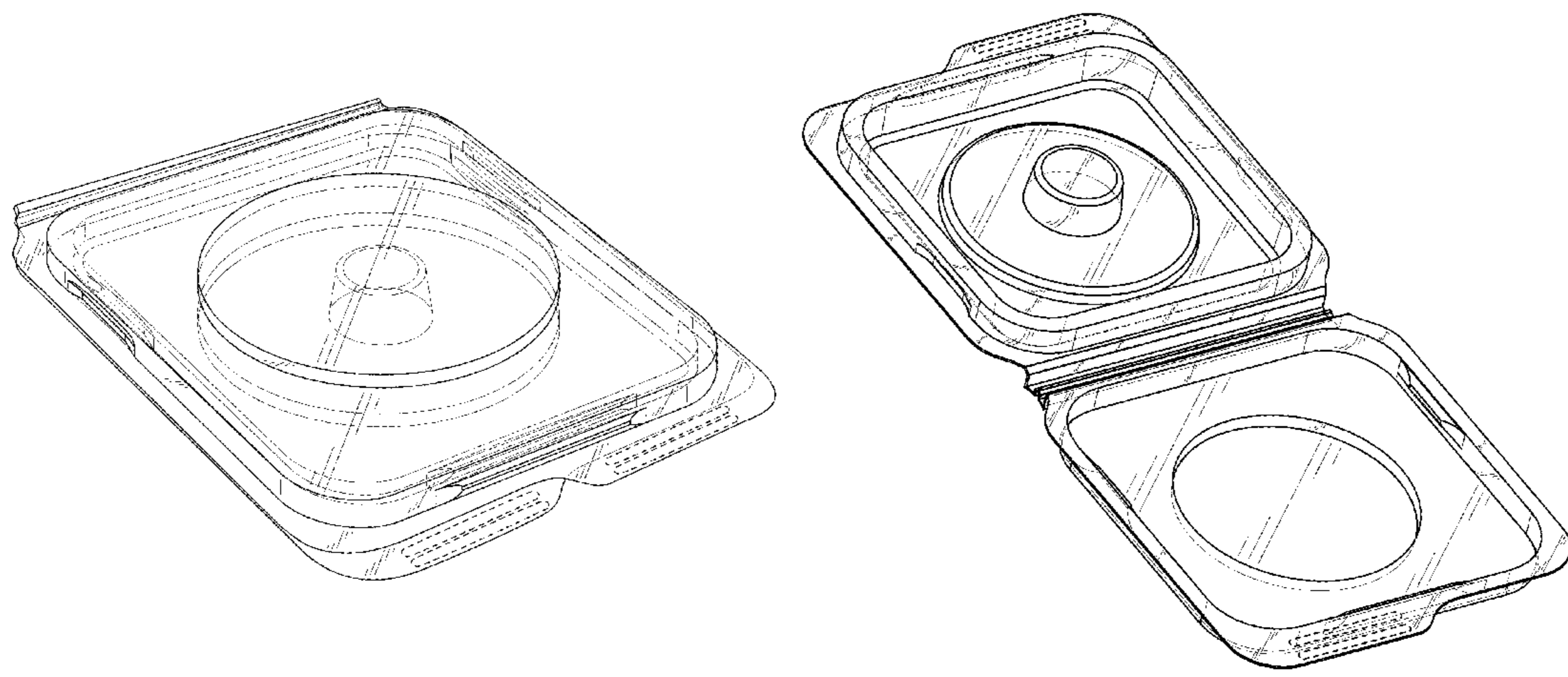
- (Continued)
- FOREIGN PATENT DOCUMENTS

BE	1007377 A7	5/1995
WO	2013014231 A1	1/2013

- OTHER PUBLICATIONS
- International Search Report for PCT/2014/061362, dated Dec. 23, 2014.
- Primary Examiner* — Lauren R Calve
- (74) *Attorney, Agent, or Firm* — Levenfeld Pearlstein, LLC

(57) **CLAIM**
The ornamental design for a package for ostomy barrier ring, as shown and described.

DESCRIPTION
FIG. 1 is a top, front perspective view of a package for ostomy barrier ring;
FIG. 2 is a top view thereof;
FIG. 3 is a bottom view thereof;
FIG. 4 is a left side view thereof, as seen from FIG. 2;
FIG. 5 is a right side view thereof, as seen from FIG. 2;
FIG. 6 is a rear view thereof;
FIG. 7 is a front view thereof; and,
FIG. 8 is a top, rear perspective view thereof, shown in an open position.
(Continued)



The broken lines shown represent unclaimed subject matter and form no part of the claimed design.

1 Claim, 6 Drawing Sheets

(56)

References Cited

U.S. PATENT DOCUMENTS

D364,739	S	*	12/1995	Okamoto	D16/237
D385,145	S	*	10/1997	VerWeyst	206/308.1
D452,628	S	*	1/2002	Stauffer	D6/407
D456,201	S	*	4/2002	Hummell	D6/407
D468,199	S	*	1/2003	Lambelet, Jr.	D9/423
D472,803	S	*	4/2003	Saunders	D9/423
D504,064	S	*	4/2005	Lee	D9/415
6,991,100	B2	*	1/2006	Delaere	G11B 33/045 206/308.1
D518,676	S	*	4/2006	Lee	D6/407
D556,567	S	*	12/2007	Templeton	D9/420
D558,502	S	*	1/2008	Rufó	D6/634
D577,577	S	*	9/2008	Lee	D9/415
D641,580	S	*	7/2011	Lau	D6/634
D655,158	S	*	3/2012	Drozek	D9/435
D718,123	S	*	11/2014	Street	D9/423
2003/0057127	A1		3/2003	Lambert		
2014/0163496	A1	*	6/2014	Grum-Schwensen	..	A61F 5/443 604/338

* cited by examiner

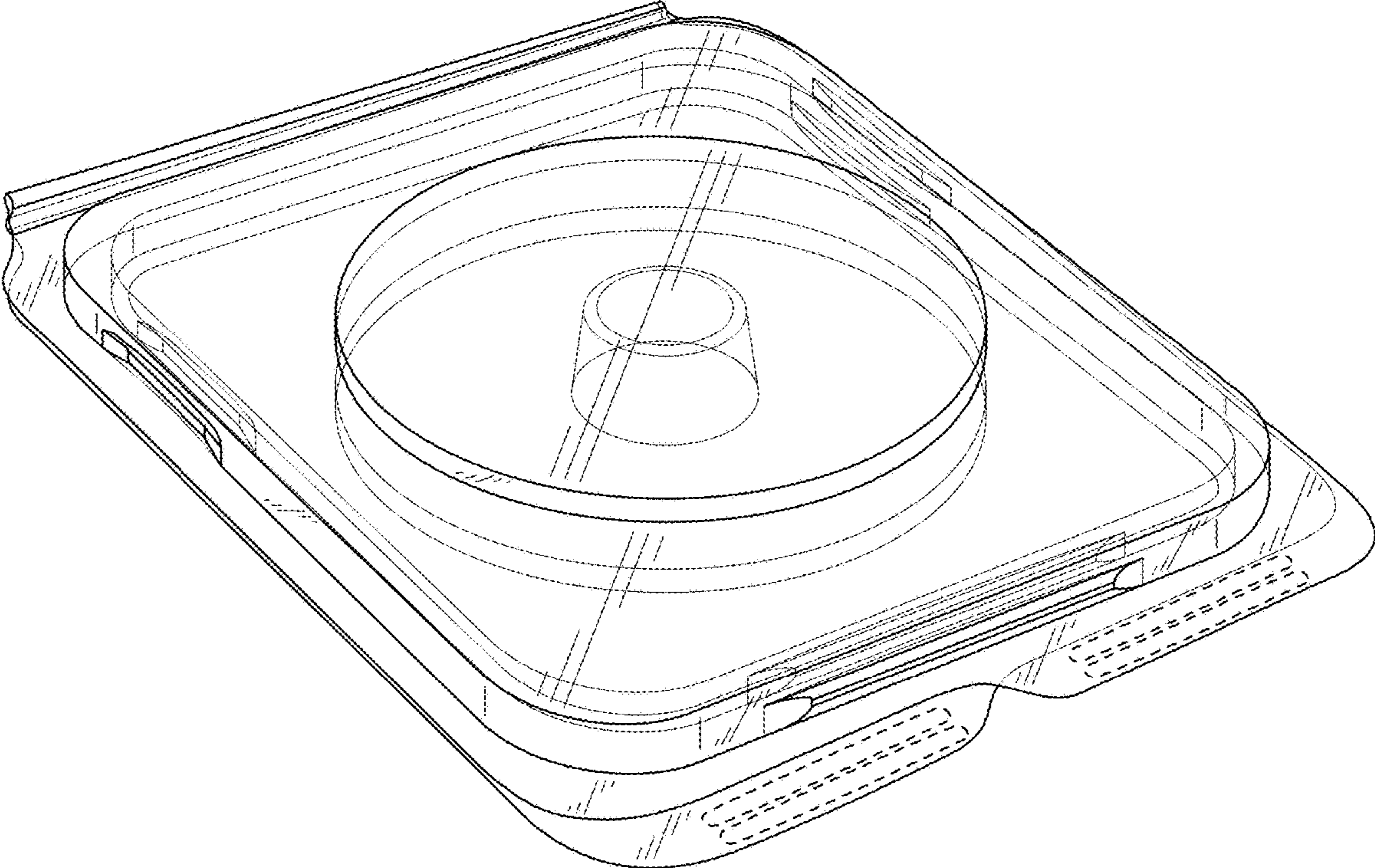


FIG. 1

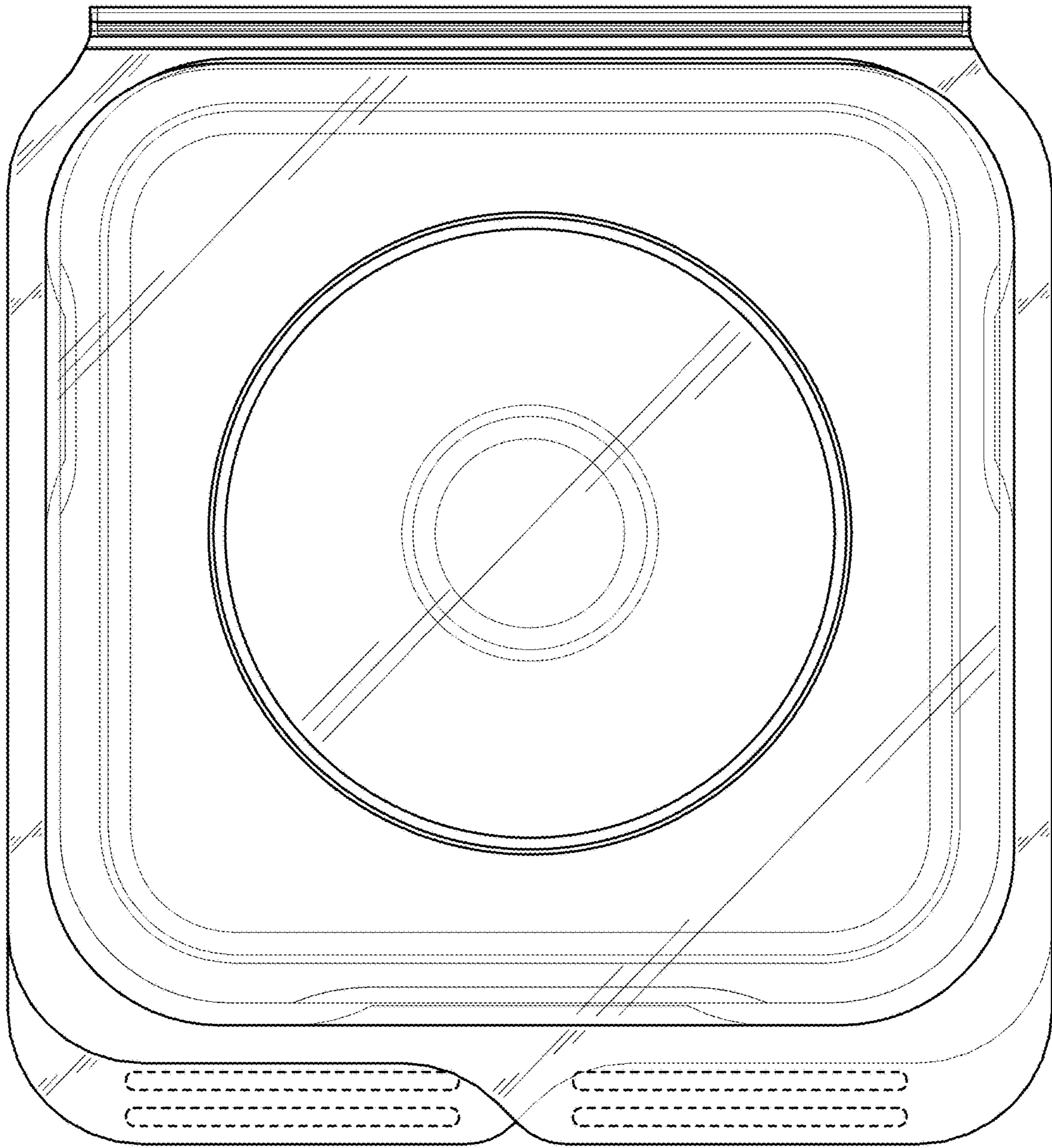


FIG. 2

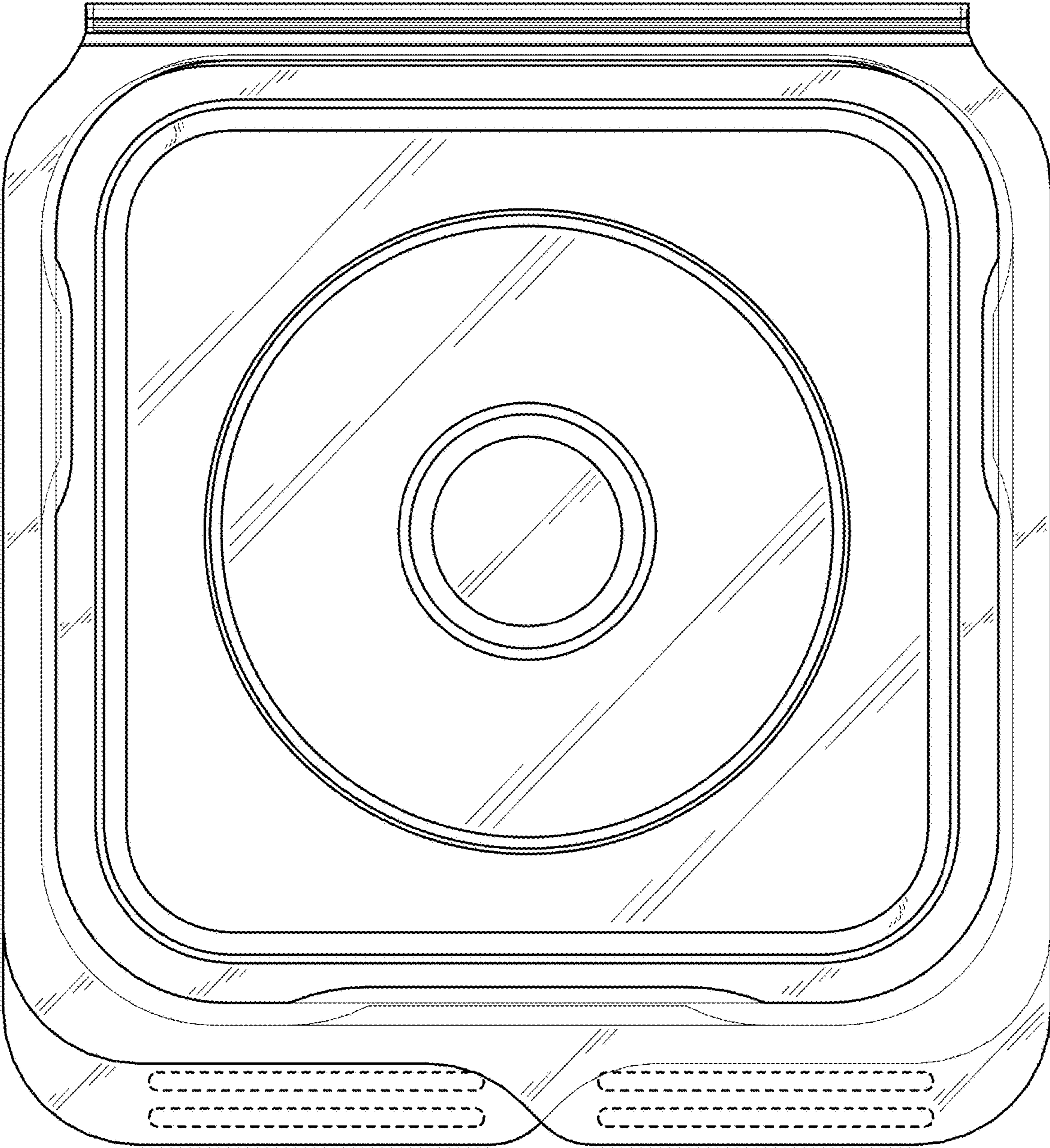


FIG. 3

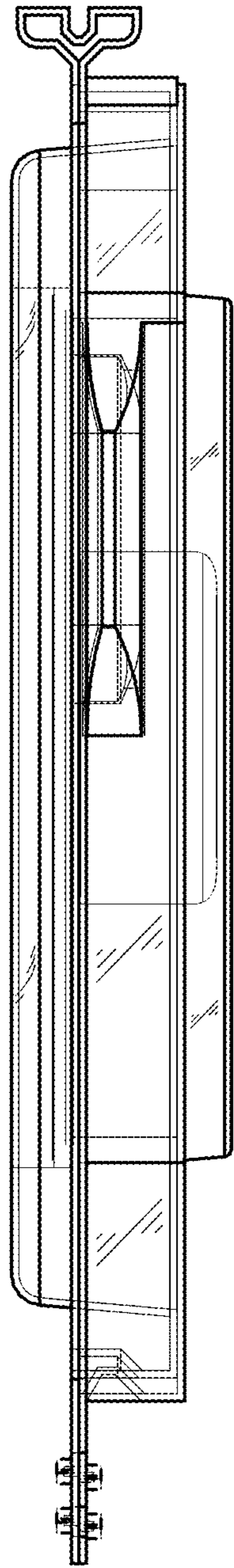


FIG. 4

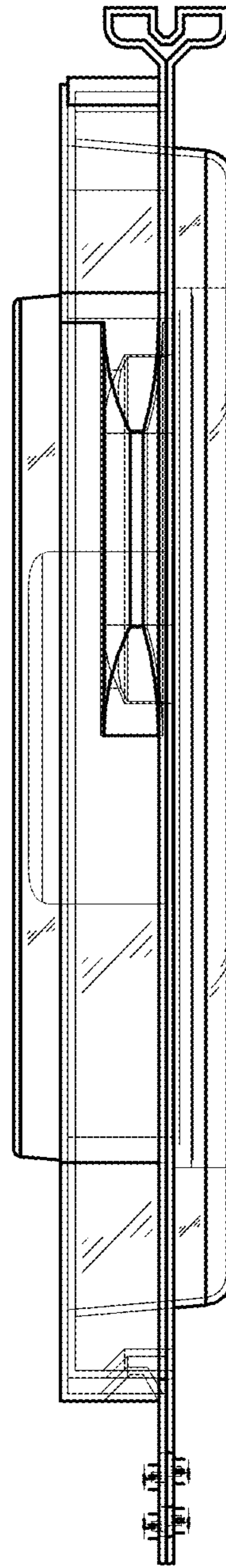


FIG. 5

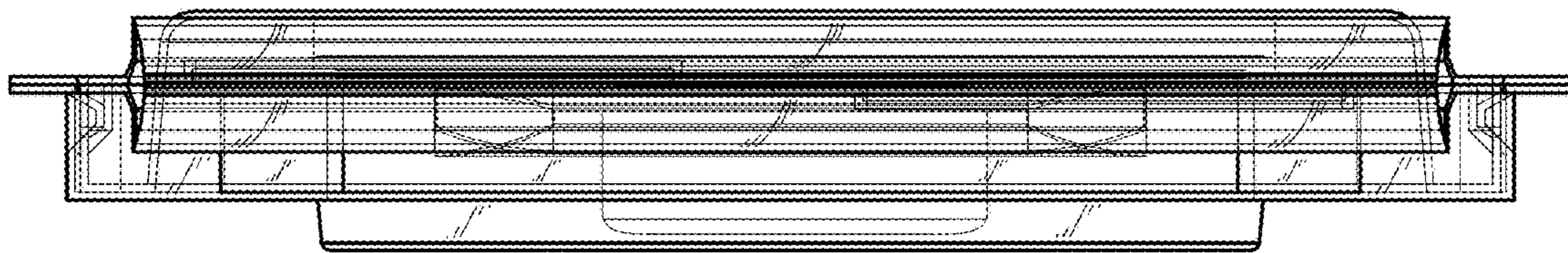


FIG. 6

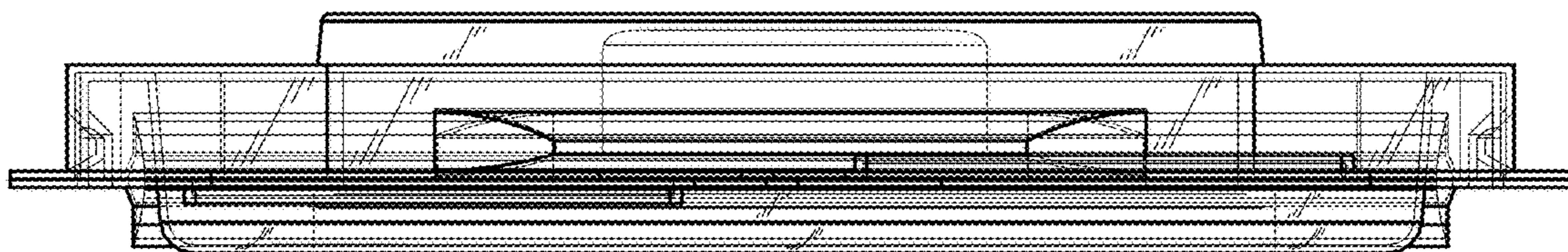


FIG. 7

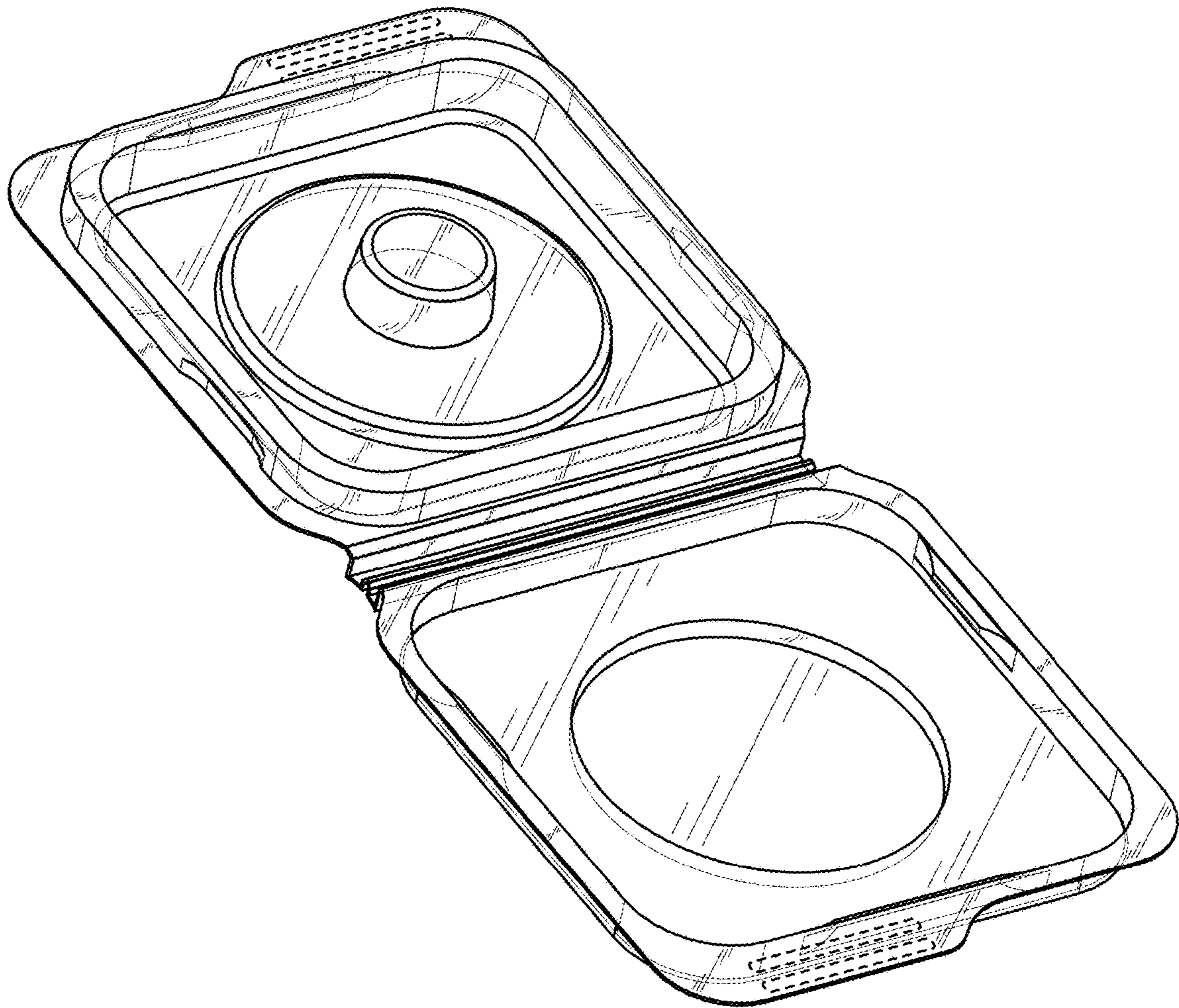


FIG. 8