



US00D816481S

(12) **United States Design Patent** (10) **Patent No.:** **US D816,481 S**
Sill et al. (45) **Date of Patent:** **** May 1, 2018**

(54) **CLOSEABLE CONTAINER**

- (71) Applicant: **Inno-Pak, LLC**, Delaware, OH (US)
- (72) Inventors: **Jonathan D. Sill**, Powell, OH (US);
Steven A. Mayer, Indianapolis, IN (US)
- (73) Assignee: **Inno-Pak LLC**, Delaware, OH (US)
- (**) Term: **15 Years**
- (21) Appl. No.: **29/605,390**
- (22) Filed: **May 25, 2017**

Related U.S. Application Data

- (60) Division of application No. 29/573,480, filed on Aug. 5, 2016, now Pat. No. Des. 787,929, which is a division of application No. 29/545,309, filed on Nov. 11, 2015, now Pat. No. Des. 774,898, which is a continuation of application No. 29/516,707, filed on Feb. 5, 2015, now Pat. No. Des. 774,891.
- (51) **LOC (11) Cl.** **09-03**
- (52) **U.S. Cl.**
USPC **D9/418**
- (58) **Field of Classification Search**
USPC D9/414-419, 499, 431, 432, 420-422;
D19/91; D7/612; 206/589
CPC B65D 5/4204
See application file for complete search history.

(56) **References Cited**

U.S. PATENT DOCUMENTS

D259,253 S *	5/1981	Nelson	D9/418
D291,065 S	7/1987	Pugh		
D295,958 S	5/1988	Pugh		
4,911,298 A	3/1990	Miyagawa		
D309,262 S	7/1990	Coiner		
D332,347 S	1/1993	Raadt		
D332,744 S	1/1993	McCooey		
D333,781 S	3/1993	Kobel		
D365,755 S	1/1996	Kanfer et al.		

(Continued)

OTHER PUBLICATIONS

Notice of Allowance dated Apr. 18, 2016 from U.S. Appl. No. 29/527,085.
Office Action dated Feb. 1, 2016 from U.S. Appl. No. 29/516,707.
Primary Examiner — Rhea Shields
(74) *Attorney, Agent, or Firm* — Ward and Smith, P.A.;
Ryan K. Simmons

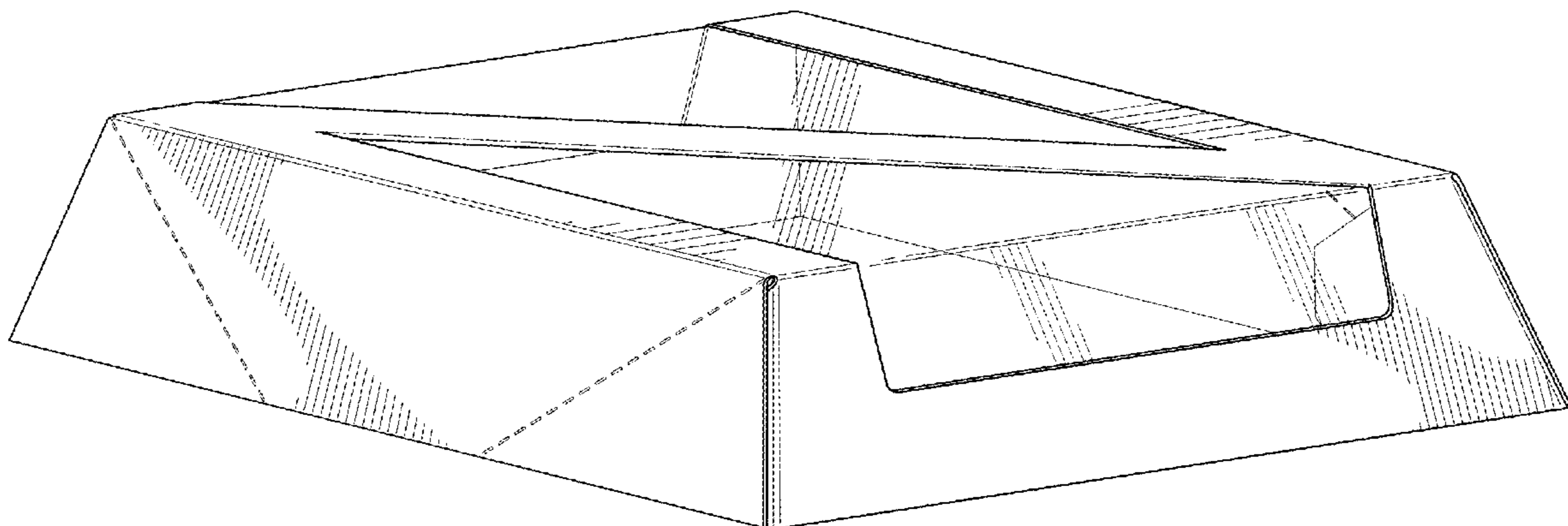
(57) **CLAIM**

The ornamental design for a closeable container, as shown and described.

DESCRIPTION

FIG. 1 is a perspective view of a first embodiment of the closeable container; showing our new design;
FIG. 2 is a left side elevation view thereof, the right side being a mirror image;
FIG. 3 is a front elevation view thereof, the rear being a mirror image;
FIG. 4 is a top plan view thereof;
FIG. 5 is a bottom plan view thereof;
FIG. 6 is another perspective view thereof, showing the closeable container in an open configuration;
FIG. 7 is a perspective view of a second embodiment of the closeable container; showing our new design;
FIG. 8 is a left side elevation view thereof, the right side being a mirror image;
FIG. 9 is a front elevation view thereof, the rear being a mirror image;
FIG. 10 is a top plan view thereof;
FIG. 11 is a bottom plan view thereof; and,
FIG. 12 is another perspective view thereof, showing the closeable container in an open configuration.
In the Figures, the dash-dash broken lines are for the purpose of illustrating perforations.

1 Claim, 10 Drawing Sheets



(56)

References Cited

U.S. PATENT DOCUMENTS

D372,401 S	8/1996	Lillelund et al.	
D401,147 S	11/1998	Miller	
D415,960 S	11/1999	Majdanski et al.	
D464,878 S	10/2002	Thompson	
D469,349 S *	1/2003	Meeker	D9/418
D469,692 S *	2/2003	Meeker	D9/431
D485,172 S	1/2004	Defino	
D519,366 S	4/2006	Epstein	
D536,245 S	2/2007	Bruun	
D536,612 S	2/2007	Geurts et al.	
D578,883 S	10/2008	Kisch	
D580,751 S	11/2008	Blick	
D587,998 S	3/2009	Kaisanlahti	
D593,211 S	5/2009	Dewitt	
D595,104 S	6/2009	Goodrich	
D602,353 S	10/2009	Anderson et al.	
D607,987 S	1/2010	Paxton	
D617,636 S *	6/2010	Vanhoutte	D9/420
D618,543 S	6/2010	Polaski	
7,780,004 B2	8/2010	Carlozzi	
D623,939 S	9/2010	Tearle	
D626,831 S *	11/2010	Nicholas	D9/432
D636,662 S	4/2011	Ignacio et al.	
D637,078 S	5/2011	Peng	
D638,702 S	5/2011	Lowery	
D644,099 S	8/2011	Martinez Rodriguez	
D644,508 S	9/2011	Martinez Rodriguez	
D646,964 S	10/2011	Ampadu	
D647,398 S	10/2011	Winkler	
D649,067 S *	11/2011	Birdwell	D9/418
D649,886 S	12/2011	Ocampo	
D651,074 S	12/2011	Lacey	
D655,153 S	3/2012	Mitten	
D668,540 S	10/2012	Lutzig	
D675,092 S	1/2013	Sill	
D675,920 S	2/2013	Sill	
D678,779 S	3/2013	Lee	
D679,950 S	4/2013	Cooper	
D681,444 S	5/2013	Oja et al.	
D685,633 S	7/2013	Thomas	
D688,568 S	8/2013	Noel	
D693,215 S *	11/2013	Sill	D9/418
D693,216 S *	11/2013	Sill	D9/418
D693,217 S *	11/2013	Sill	D9/418
D693,218 S *	11/2013	Sill	D9/418
D695,104 S *	12/2013	Sill	D9/418
D696,725 S *	12/2013	Sasken-Duff	D19/91
8,607,987 B2	12/2013	Oja et al.	
D706,132 S *	6/2014	Sill	D9/432
D708,511 S	7/2014	Green	
D712,275 S	9/2014	Irek	
D713,716 S	9/2014	Oja et al.	
D716,649 S *	11/2014	McAdam	D9/418
D717,162 S	11/2014	Baker	
D717,163 S	11/2014	Paulsen	
D717,645 S	11/2014	Wilmers	
D719,440 S	12/2014	Matloff	
D727,732 S *	4/2015	Petty	D9/415
D728,357 S	5/2015	Pierce	
D729,055 S	5/2015	Lemnios et al.	
D729,058 S	5/2015	Ishikawa	
D739,228 S	9/2015	Jondal et al.	
D746,673 S	1/2016	Sanfilippo	
D746,700 S *	1/2016	Boehnen	D9/418
D753,919 S *	4/2016	Parker	D3/317
D760,598 S	7/2016	White	
D762,113 S	7/2016	Mayer	
D766,108 S	9/2016	Brown	
D774,891 S	12/2016	Mayer	
D774,893 S	12/2016	Mayer	
D774,895 S	12/2016	Mayer	
D774,896 S	12/2016	Mayer	
D774,897 S	12/2016	Mayer	
D774,898 S	12/2016	Mayer	
D776,522 S	1/2017	Mayer	
D786,663 S	5/2017	Mayer	
D787,313 S	5/2017	Mayer	
D787,314 S	5/2017	Sill	
D787,315 S	5/2017	Sill	
D787,316 S	5/2017	Sill	
D787,929 S	5/2017	Sill	
D787,933 S	5/2017	Sill	
2009/0236351 A1 *	9/2009	Chu	B65D 5/4208 220/751
2010/0059579 A1	3/2010	House	
2014/0103100 A1	4/2014	Falcon	
2015/0344216 A1 *	12/2015	Petty	B65D 5/4204 206/589
2016/0362220 A1	12/2016	Kearns	
2017/0066586 A1	3/2017	Petty	

* cited by examiner

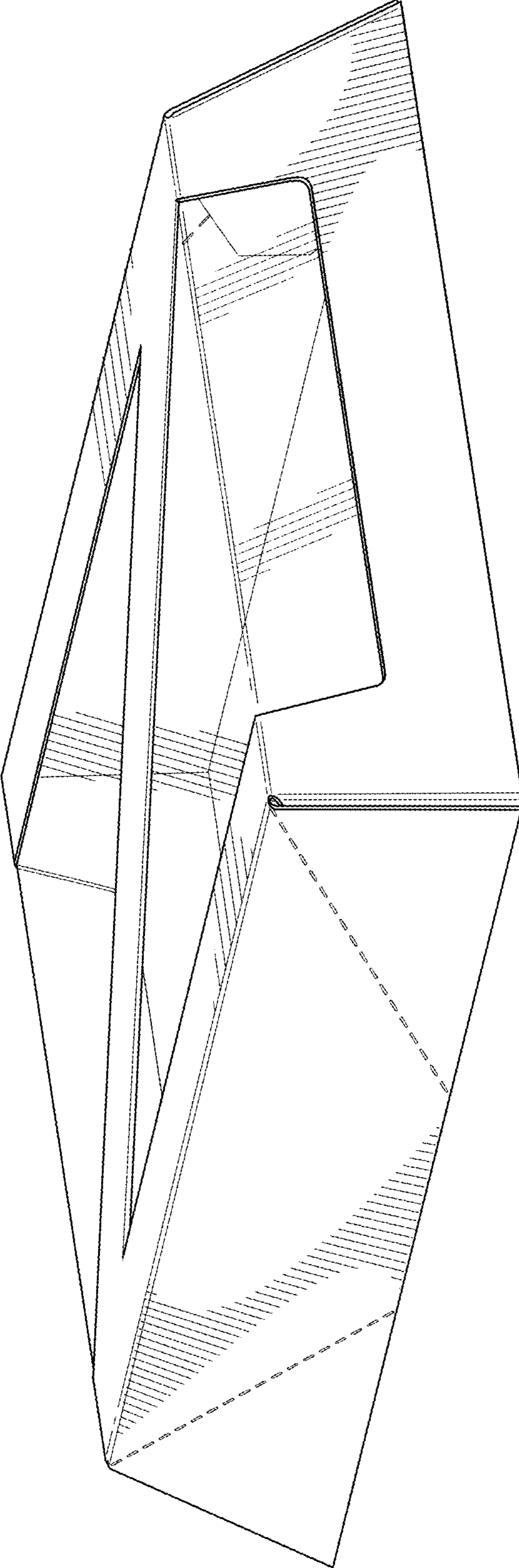


FIG. 1

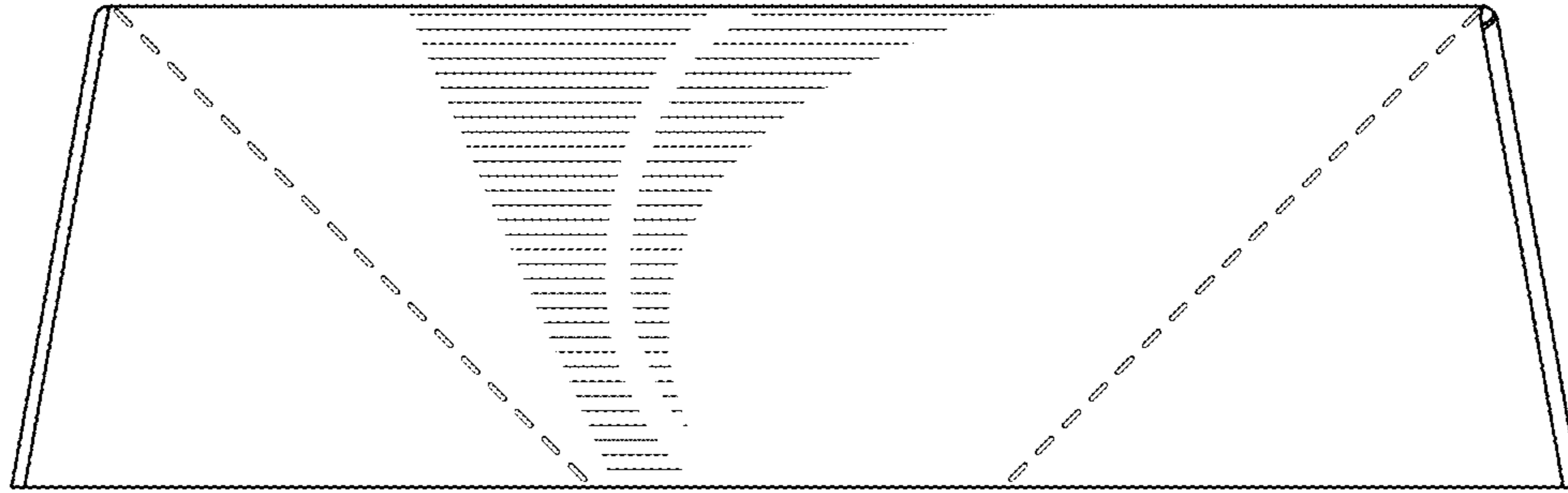


Fig. 2

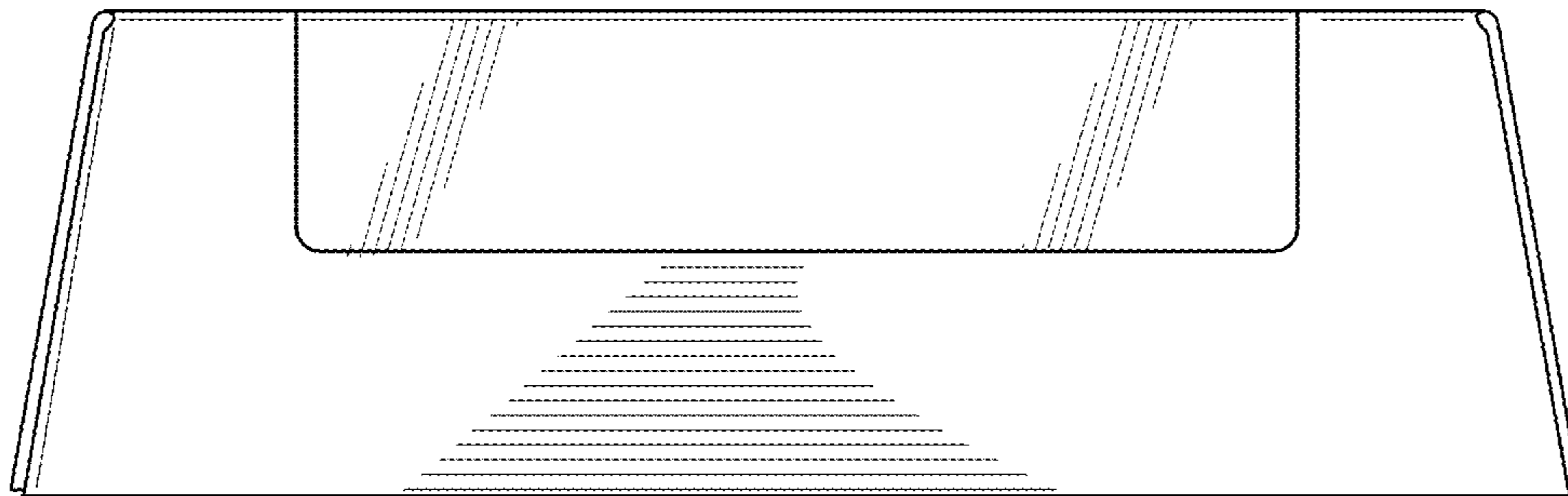


Fig. 3

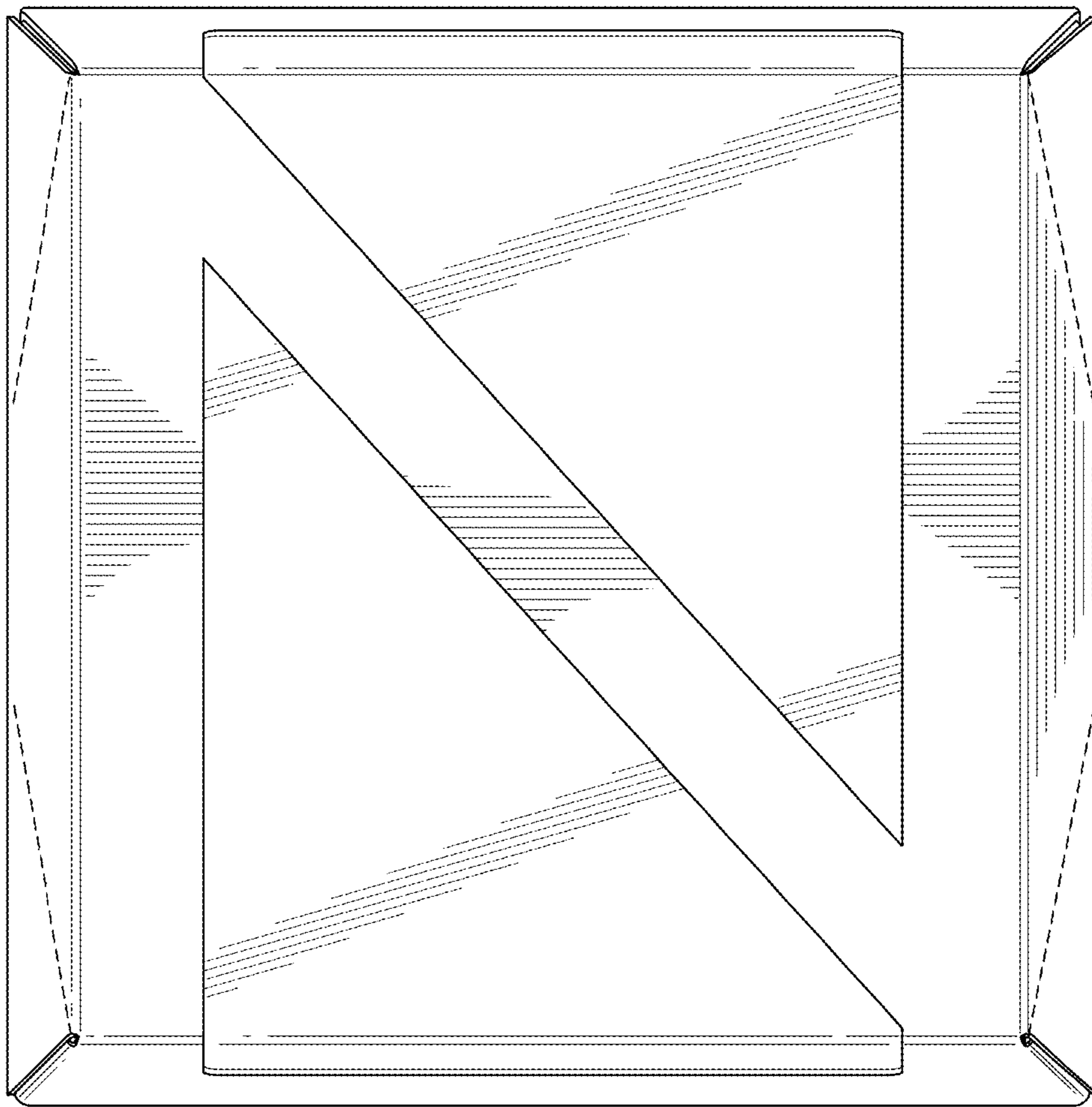


Fig. 4

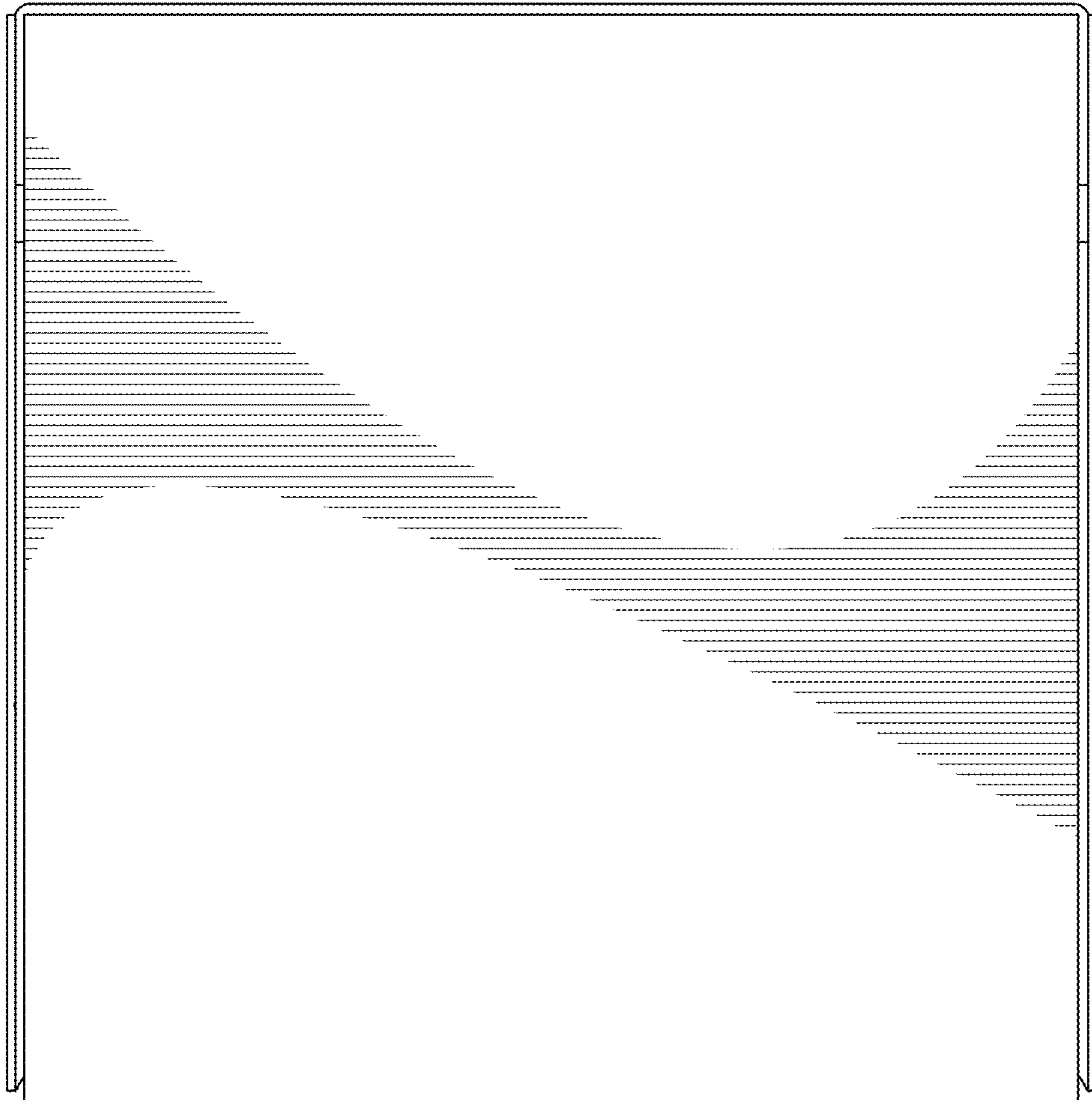


Fig. 5

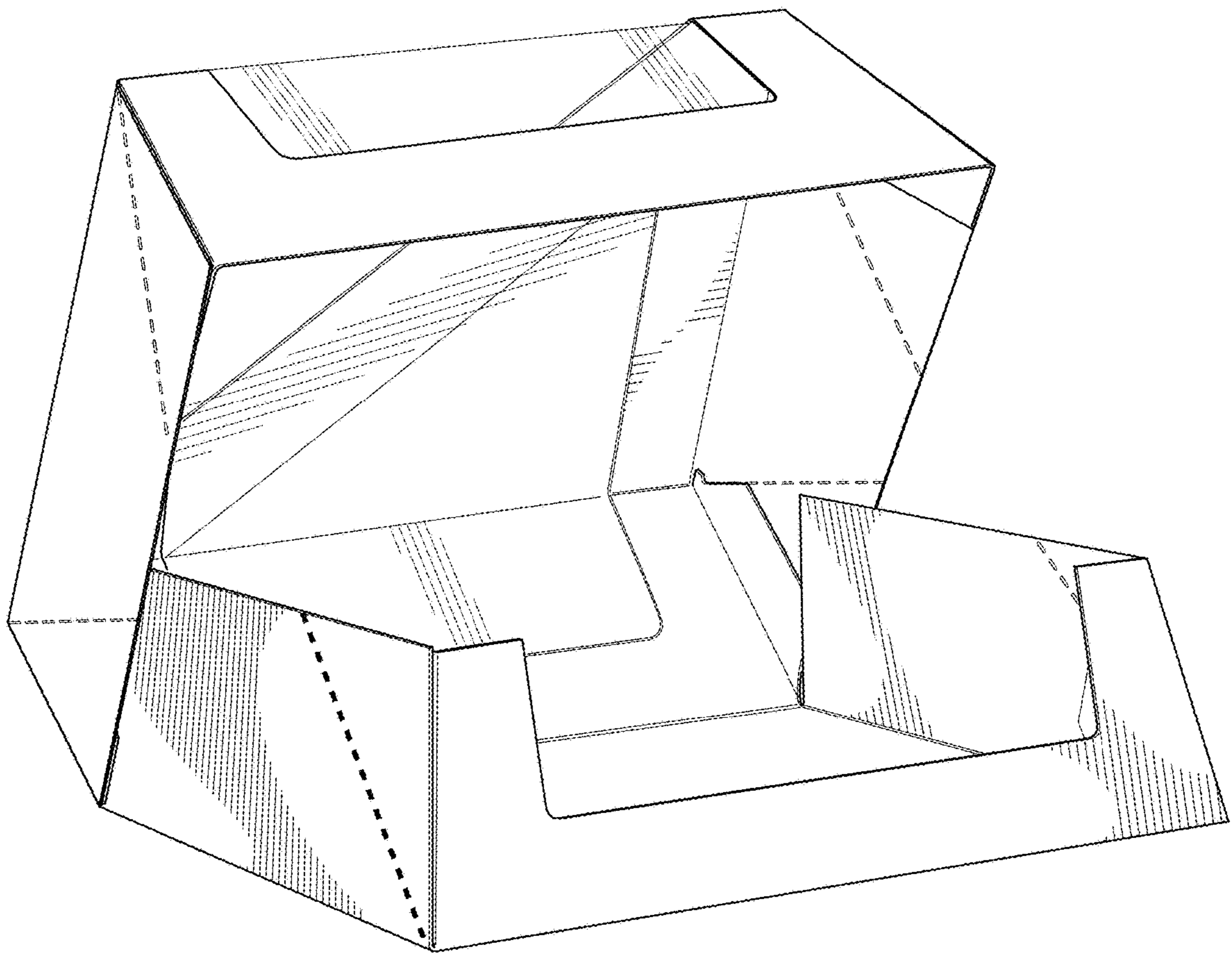


Fig. 6

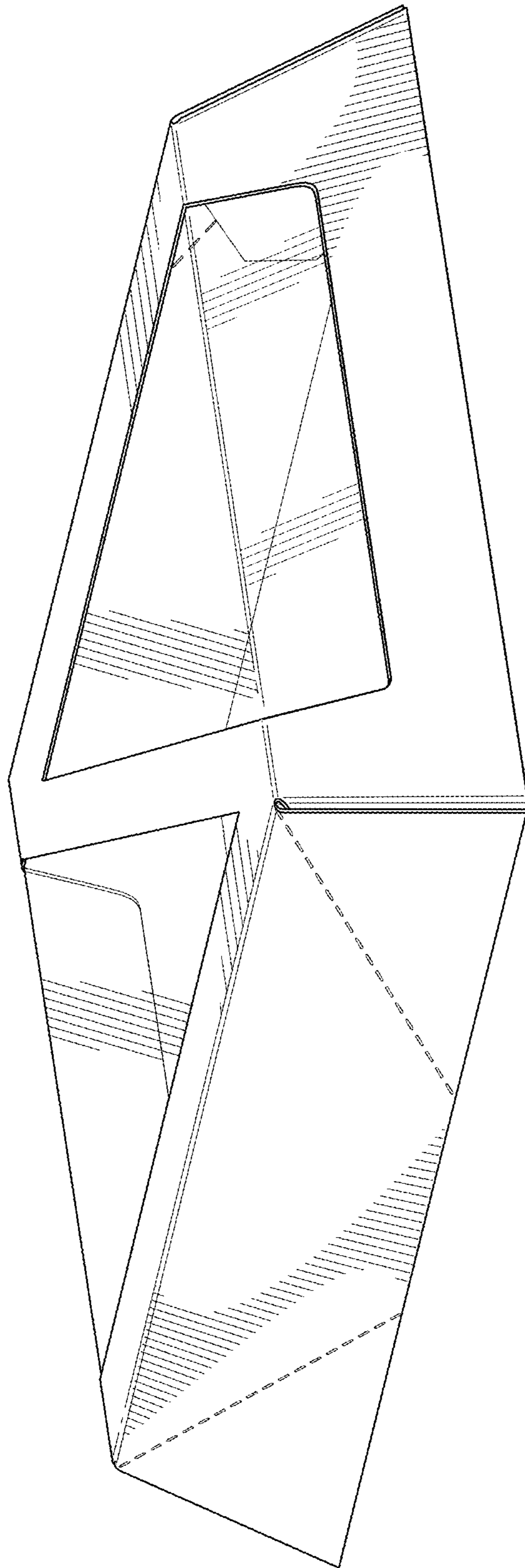


FIG. 7

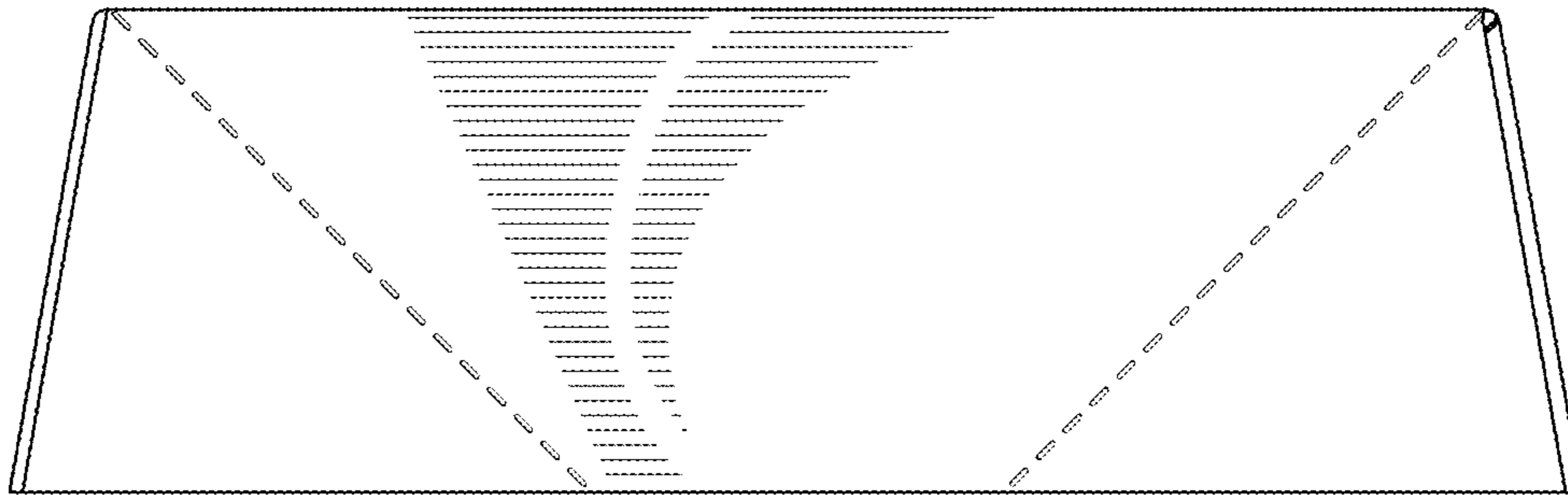


FIG. 8

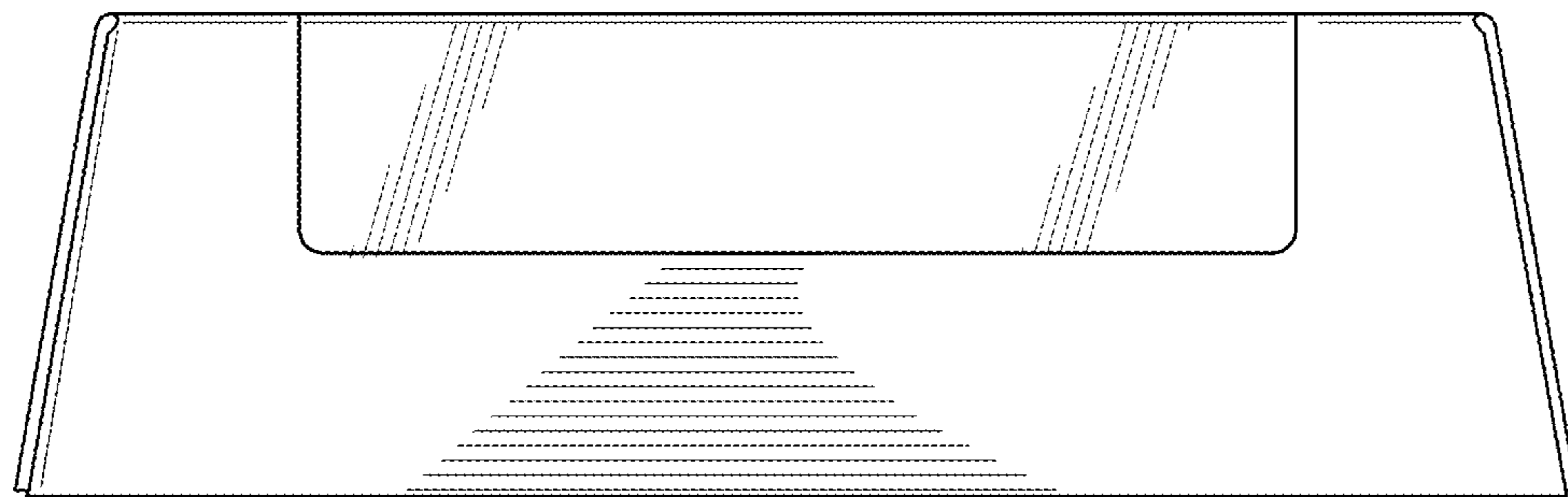


FIG. 9

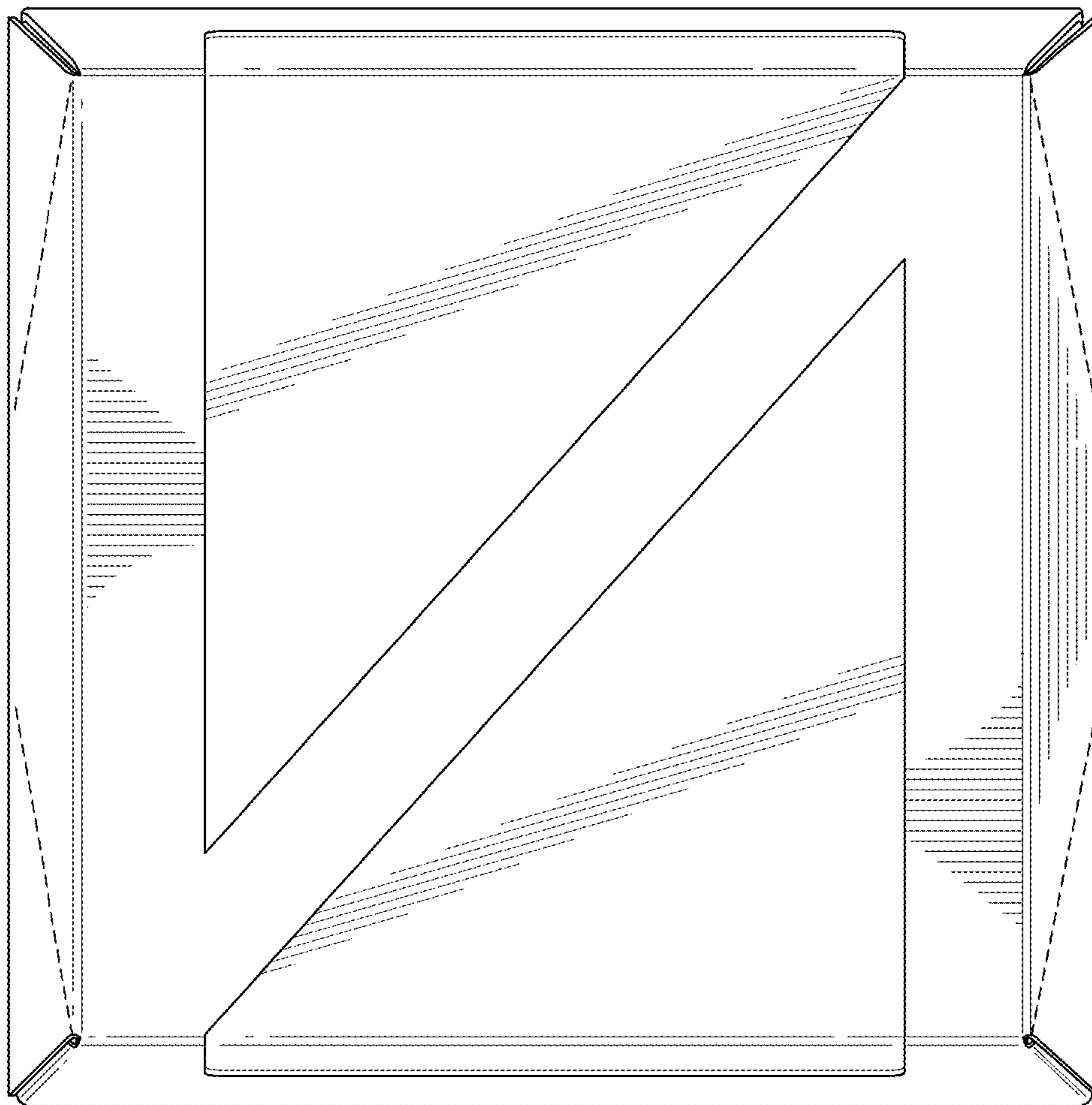


FIG. 10

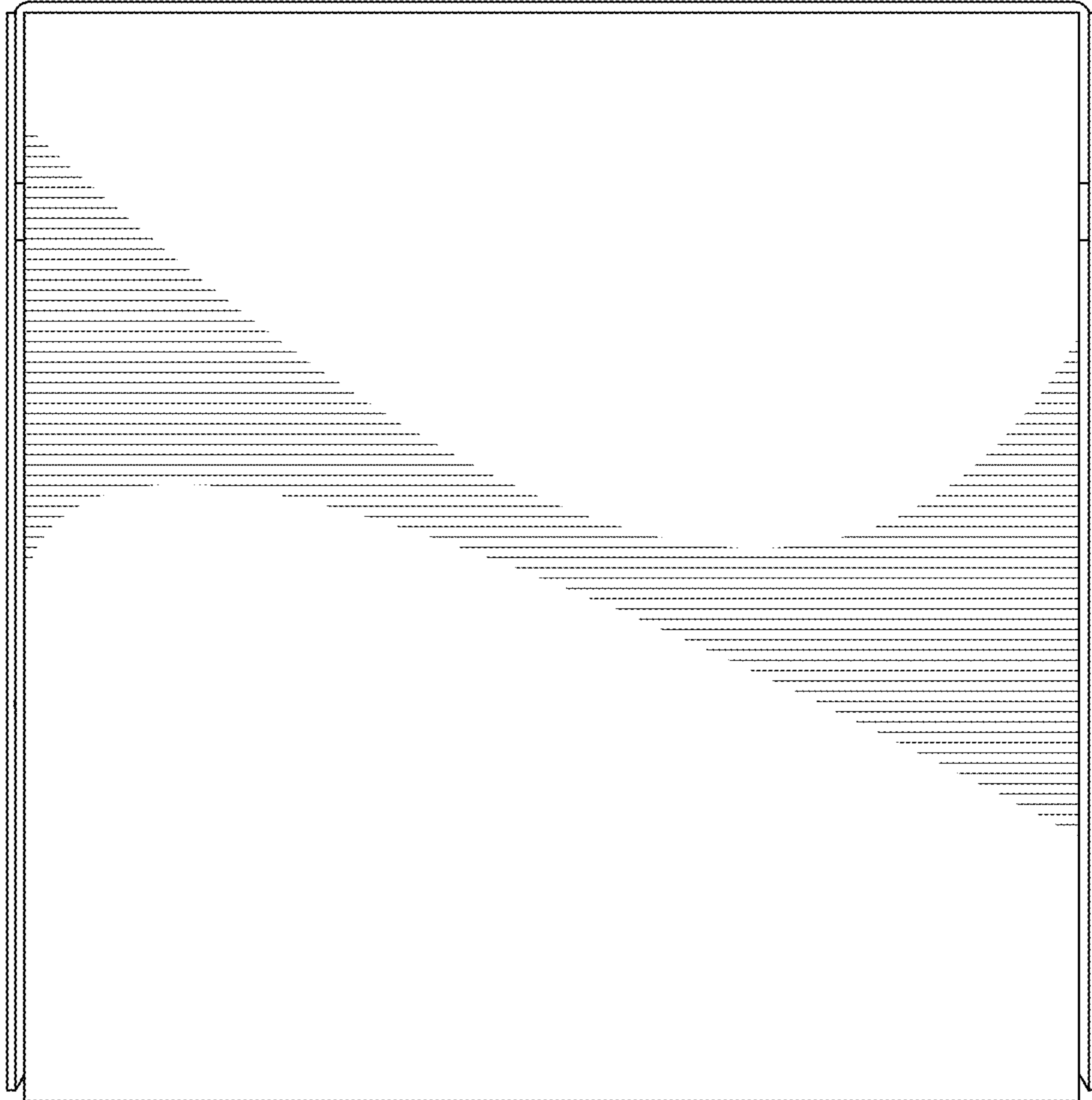


FIG. 11

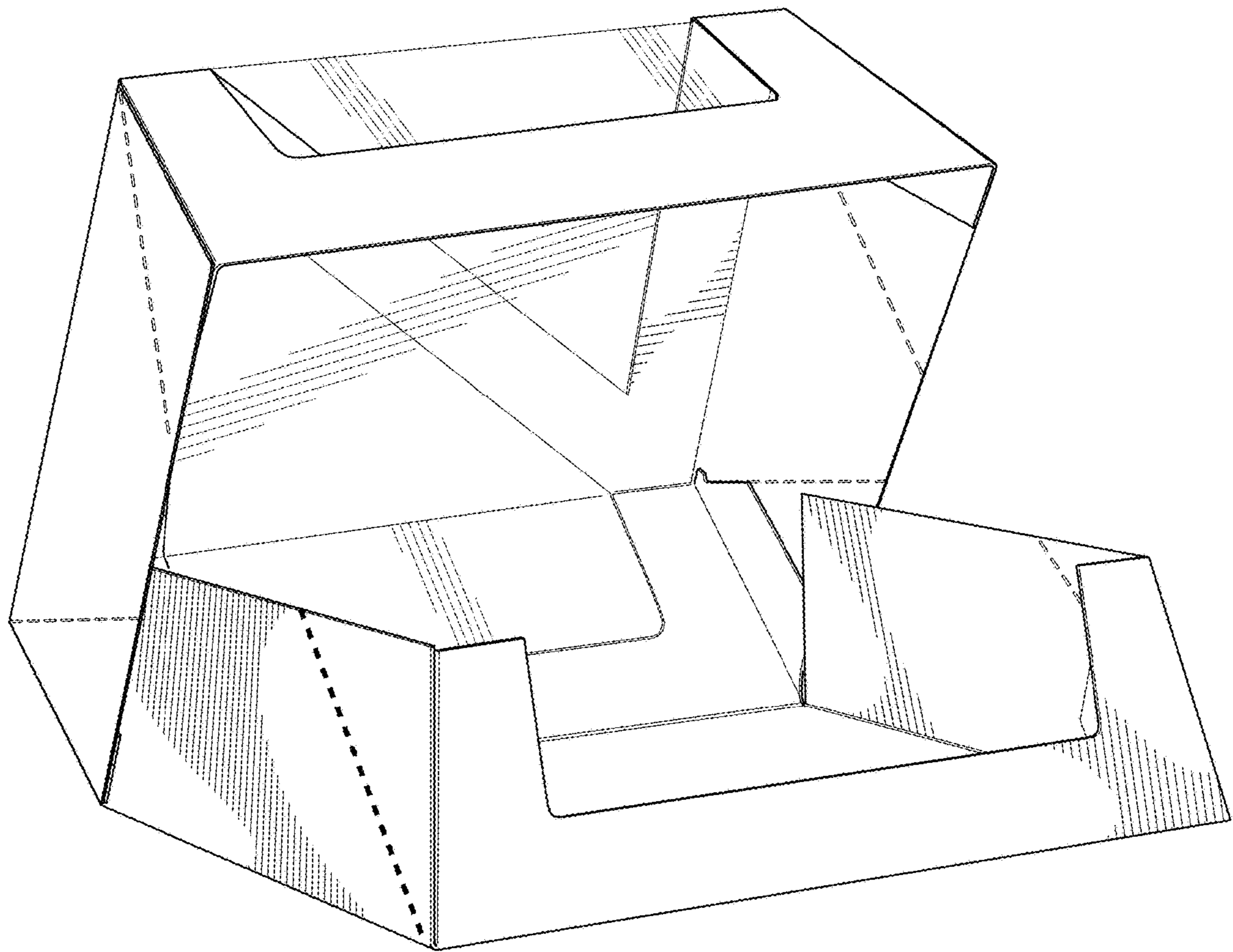


FIG. 12