



US00D816480S

(12) **United States Design Patent** (10) **Patent No.:** **US D816,480 S**
Sill et al. (45) **Date of Patent:** **** May 1, 2018**

- (54) **CLOSEABLE CONTAINER**
- (71) Applicant: **Inno-Pak, LLC**, Delaware, OH (US)
- (72) Inventors: **Jonathan D. Sill**, Powell, OH (US);
Steven A. Mayer, Indianapolis, IN (US)
- (73) Assignee: **Inno-Pak LLC**, Delaware, OH (US)
- (**) Term: **15 Years**
- (21) Appl. No.: **29/604,589**
- (22) Filed: **May 18, 2017**

- D332,744 S * 1/1993 McCooey D9/415
- D333,781 S * 3/1993 Kobel D30/124
- D365,755 S * 1/1996 Kanfer D9/423
- D372,401 S * 8/1996 Lillelund D7/612
- D401,147 S * 11/1998 Miller D26/9
- D415,960 S * 11/1999 Majdanski D9/415
- D464,878 S * 10/2002 Thompson D9/415
- D469,349 S * 1/2003 Meeker D9/418
- D469,692 S * 2/2003 Meeker D9/431
- D485,172 S * 1/2004 Defino, Jr. D9/415
- D519,366 S * 4/2006 Epstein D9/431
- D536,245 S * 2/2007 Bruun D9/422
- D536,612 S * 2/2007 Geurts D9/432

(Continued)

Related U.S. Application Data

- (60) Division of application No. 29/573,472, filed on Aug. 5, 2016, now Pat. No. Des. 787,314, which is a division of application No. 29/545,297, filed on Nov. 11, 2015, now Pat. No. Des. 786,663, which is a continuation-in-part of application No. 29/516,707, filed on Feb. 5, 2015, now Pat. No. Des. 774,891.
- (51) **LOC (11) Cl.** **09-03**
- (52) **U.S. Cl.**
USPC **D9/418**
- (58) **Field of Classification Search**
USPC D9/414-419, 499, 431, 432, 420-422;
D19/91; D7/612; 206/589
CPC B65D 5/4204
See application file for complete search history.

References Cited

U.S. PATENT DOCUMENTS

- D259,253 S * 5/1981 Nelson D9/418
- D291,065 S * 7/1987 Pugh D9/418
- D295,958 S * 5/1988 Pugh D9/711
- 4,911,298 A * 3/1990 Miyagawa G11B 23/0233
206/387.1
- D309,262 S * 7/1990 Coiner D9/418
- D332,347 S * 1/1993 Raadt D3/18

OTHER PUBLICATIONS

Notice of Allowance dated Apr. 18, 2016 from U.S. Appl. No. 29/527,085.

Office Action dated Feb. 1, 2016 from U.S. Appl. No. 29/516,707.

Primary Examiner — Rhea Shields

(74) *Attorney, Agent, or Firm* — Ward and Smith, P.A.;
Ryan K. Simmons

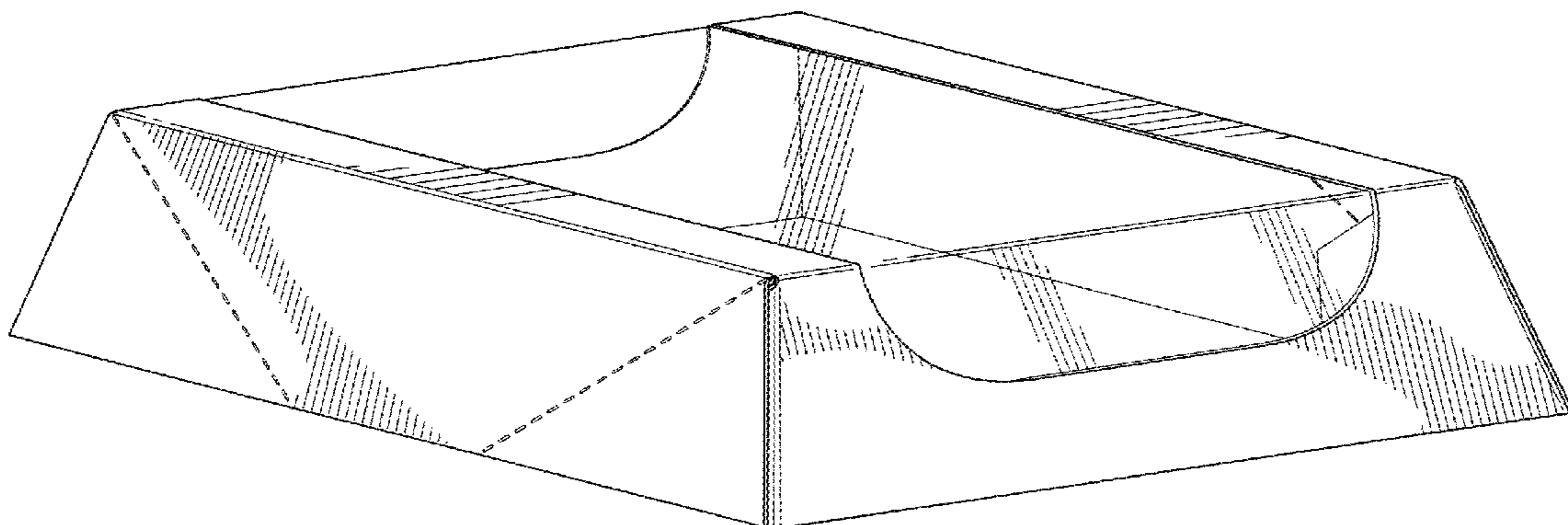
CLAIM

(57) The ornamental design for a closeable container, as shown and described.

DESCRIPTION

FIG. 1 is a perspective view of a closeable container showing a new design;
FIG. 2 is a front elevation view thereof, the rear being a mirror image;
FIG. 3 is a top plan view thereof;
FIG. 4 is a bottom plan view thereof; and,
FIG. 5 is another perspective view thereof, showing the closeable container in an open configuration.
In FIGS. 1-5 the dash-dash dotted lines are for the purpose of illustrating perforations and form part of the claimed design.

1 Claim, 5 Drawing Sheets



(56)

References Cited

U.S. PATENT DOCUMENTS

D578,883 S *	10/2008	Kisch	D9/432	D706,132 S *	6/2014	Sill	D9/432
D580,751 S *	11/2008	Blick	D9/432	D708,511 S *	7/2014	Green	D9/416
D587,998 S	3/2009	Kaisanlahti		D712,275 S *	9/2014	Irek	D9/418
D593,211 S *	5/2009	Dewitt	D25/48.3	D713,716 S *	9/2014	Oja	D9/418
D595,104 S *	6/2009	Goodrich	D8/99	D716,649 S *	11/2014	McAdam	D9/418
D602,353 S *	10/2009	Anderson	D9/432	D717,162 S *	11/2014	Baker	D9/431
D607,987 S *	1/2010	Paxton	D23/377	D717,163 S *	11/2014	Paulsen	D9/431
D617,636 S *	6/2010	Vanhoutte	D9/420	D717,645 S *	11/2014	Wilmers	D9/432
D618,543 S *	6/2010	Polaski	D9/418	D719,440 S *	12/2014	Matloff	D9/418
7,780,004 B2 *	8/2010	Carlozzi	B65D 85/26 206/443	D727,732 S *	4/2015	Petty	D9/415
D623,939 S *	9/2010	Tearle	D9/433	D728,357 S *	5/2015	Pierce, Jr.	D9/416
D626,831 S *	11/2010	Nicholas	D9/432	D729,055 S *	5/2015	Lemnios	D9/418
D636,662 S *	4/2011	Ignacio	D9/418	D729,058 S *	5/2015	Ishikawa	D9/423
D637,078 S *	5/2011	Peng	D9/433	D739,228 S *	9/2015	Jondal	D9/421
D638,702 S *	5/2011	Lowery	D5/99	D746,673 S *	1/2016	Sanfilippo	D9/416
D644,099 S *	8/2011	Martinez Rodriguez	D9/418	D746,700 S *	1/2016	Boehnen	D9/418
D644,508 S *	9/2011	Martinez Rodriguez	D9/418	D753,919 S *	4/2016	Parker	D3/317
D646,964 S *	10/2011	Ampadu	D9/420	D760,598 S *	7/2016	White	D9/711
D647,398 S *	10/2011	Winkler	D9/417	D762,113 S	7/2016	Mayer	
D649,067 S *	11/2011	Birdwell	D9/418	D766,108 S *	9/2016	Brown	D9/721
D649,886 S *	12/2011	Ocampo	D9/415	D774,891 S	12/2016	Mayer	
D651,074 S *	12/2011	Lacey	D9/429	D774,893 S	12/2016	Mayer	
D655,153 S *	3/2012	Mitten	D9/420	D774,895 S	12/2016	Mayer	
D668,540 S *	10/2012	Lutzig	D9/432	D774,896 S	12/2016	Mayer	
D675,092 S *	1/2013	Sill	D9/431	D774,897 S	12/2016	Mayer	
D675,920 S	2/2013	Sill		D774,898 S	12/2016	Mayer	
D678,779 S *	3/2013	Lee	D9/418	D776,522 S	1/2017	Mayer	
D679,950 S *	4/2013	Cooper	D7/538	D786,663 S	5/2017	Mayer	
D681,444 S *	5/2013	Oja	D9/418	D787,313 S	5/2017	Mayer	
D685,633 S	7/2013	Thomas		D787,314 S	5/2017	Sill	
D688,568 S *	8/2013	Noel	D9/711	D787,315 S	5/2017	Sill	
D693,215 S *	11/2013	Sill	D9/418	D787,316 S	5/2017	Sill	
D693,216 S *	11/2013	Sill	D9/418	D787,929 S	5/2017	Sill	
D693,217 S *	11/2013	Sill	D9/418	D787,933 S	5/2017	Sill	
D693,218 S *	11/2013	Sill	D9/418	2009/0236351 A1 *	9/2009	Chu	B65D 5/4208 220/751
D695,104 S *	12/2013	Sill	D9/418	2010/0059579 A1	3/2010	House	
D696,725 S *	12/2013	Sasken-Duff	D19/91	2014/0103100 A1	4/2014	Falcon	
8,607,987 B2 *	12/2013	Oja	B65D 5/4204 206/776	2015/0344216 A1 *	12/2015	Petty	B65D 5/4204 206/589
				2016/0362220 A1	12/2016	Kearns	
				2017/0066586 A1	3/2017	Petty	

* cited by examiner

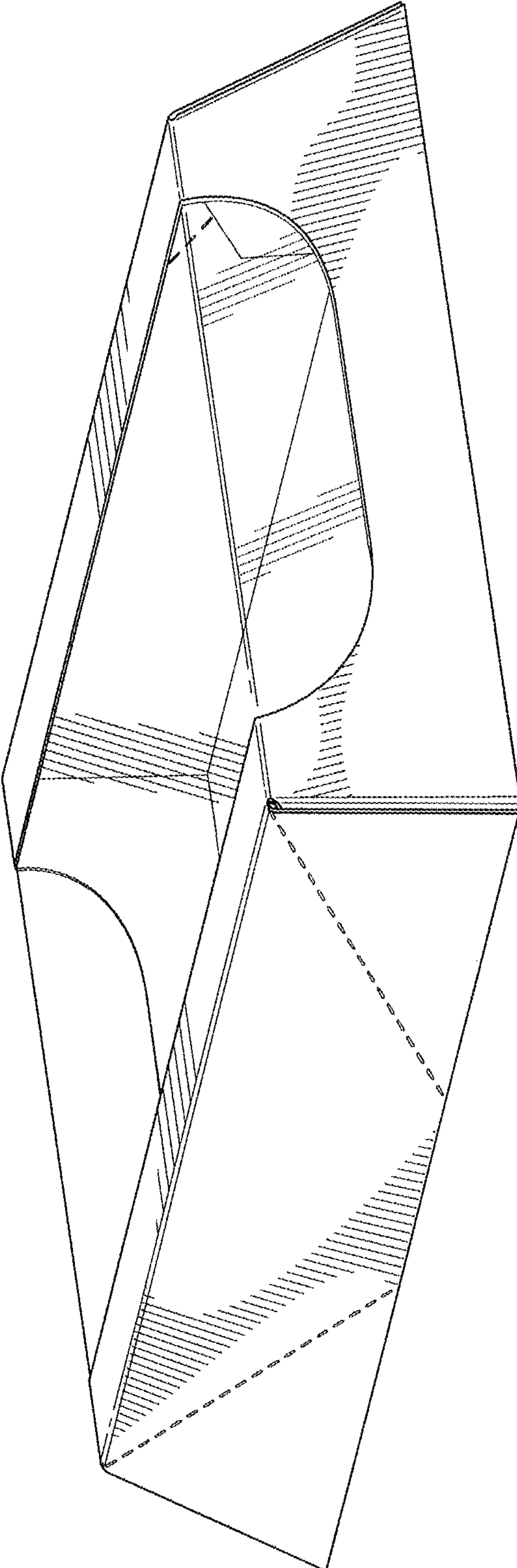


FIG. 1

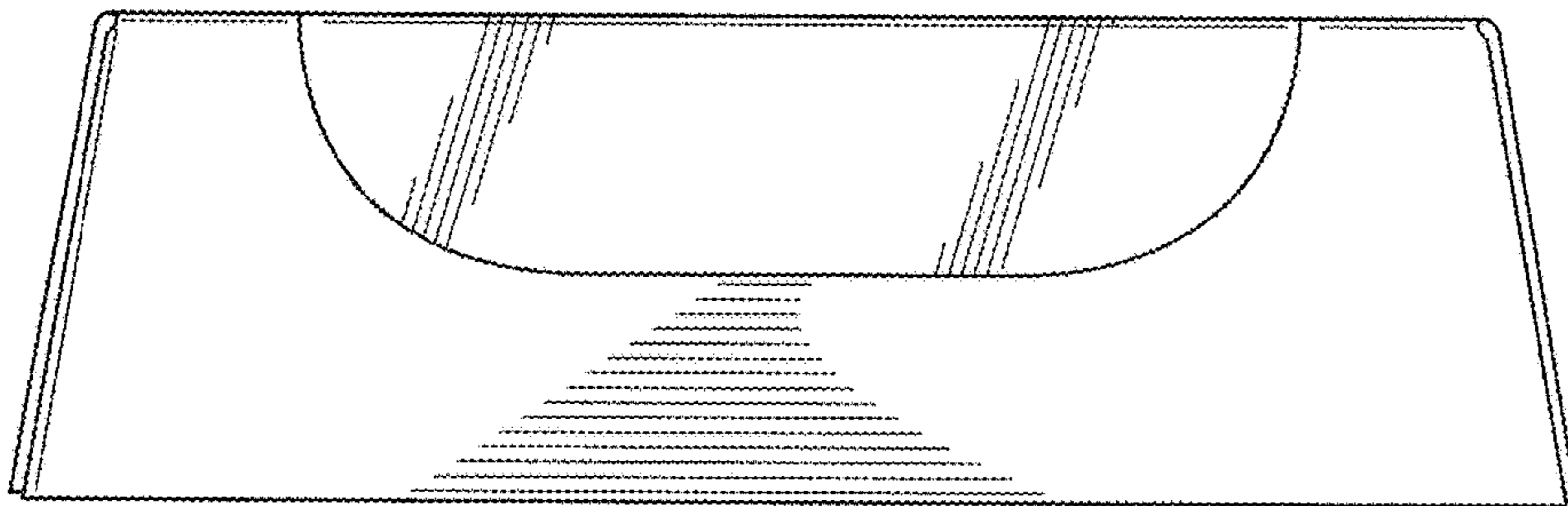


FIG. 2

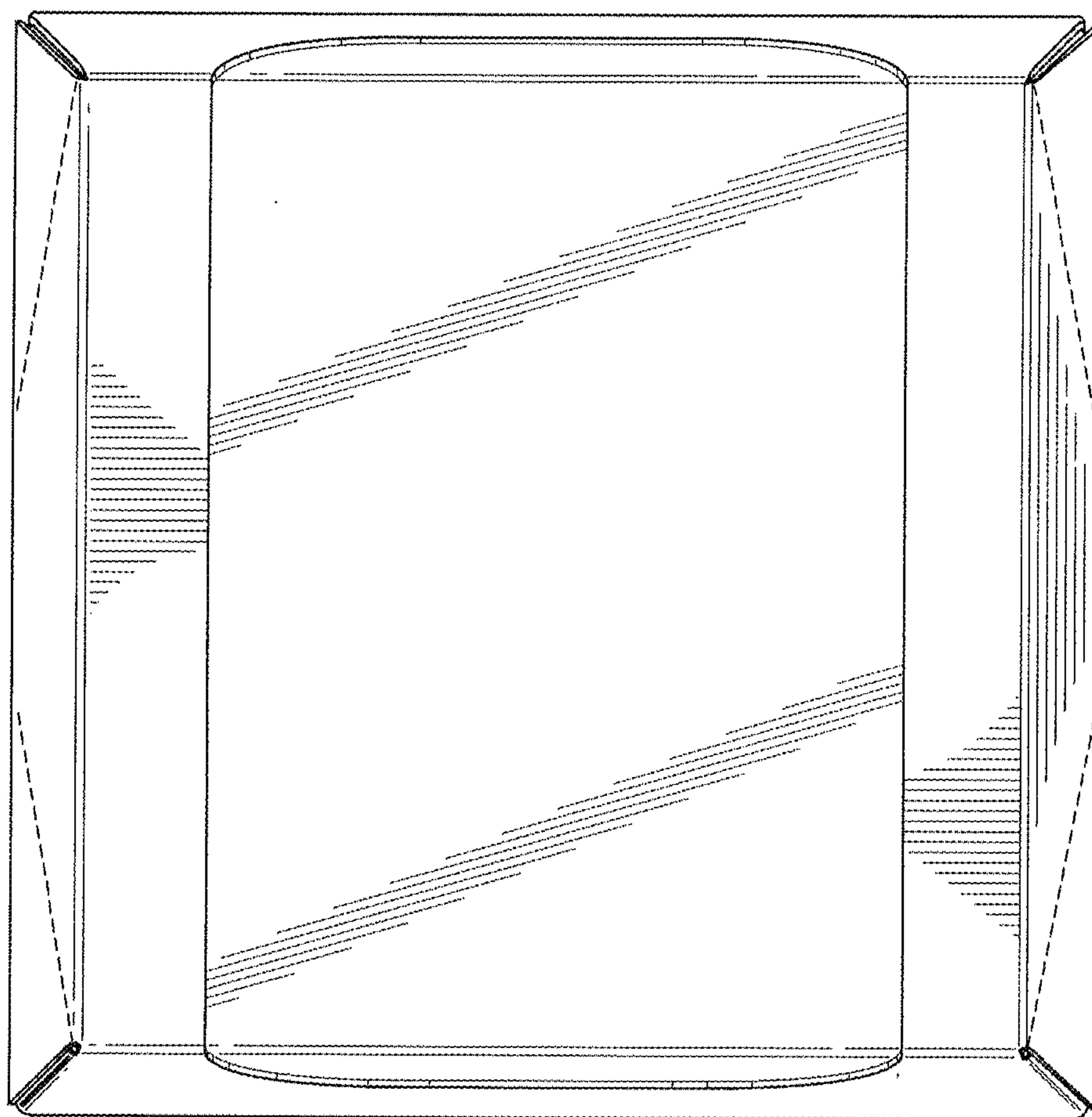


FIG. 3

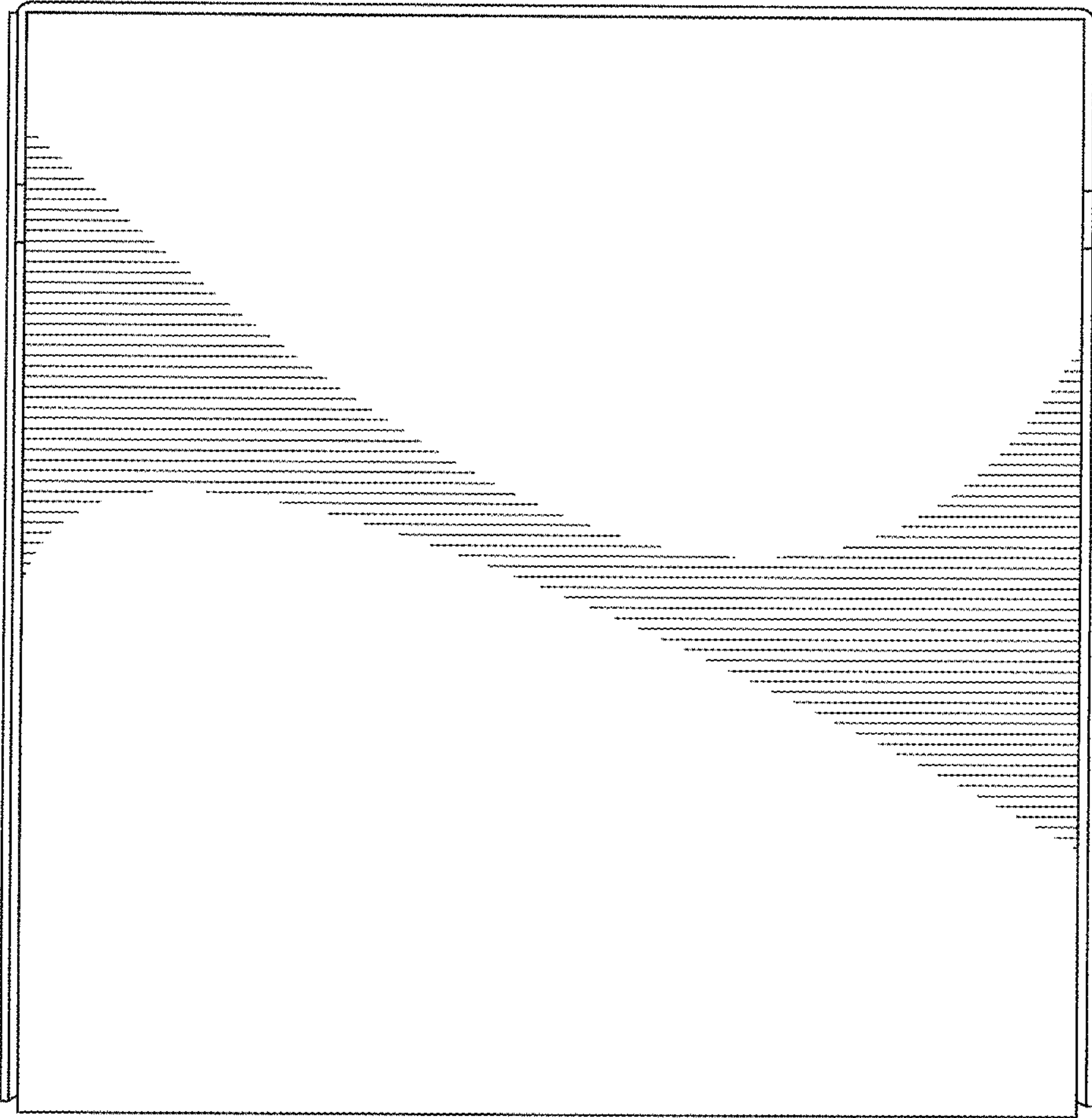


FIG. 4

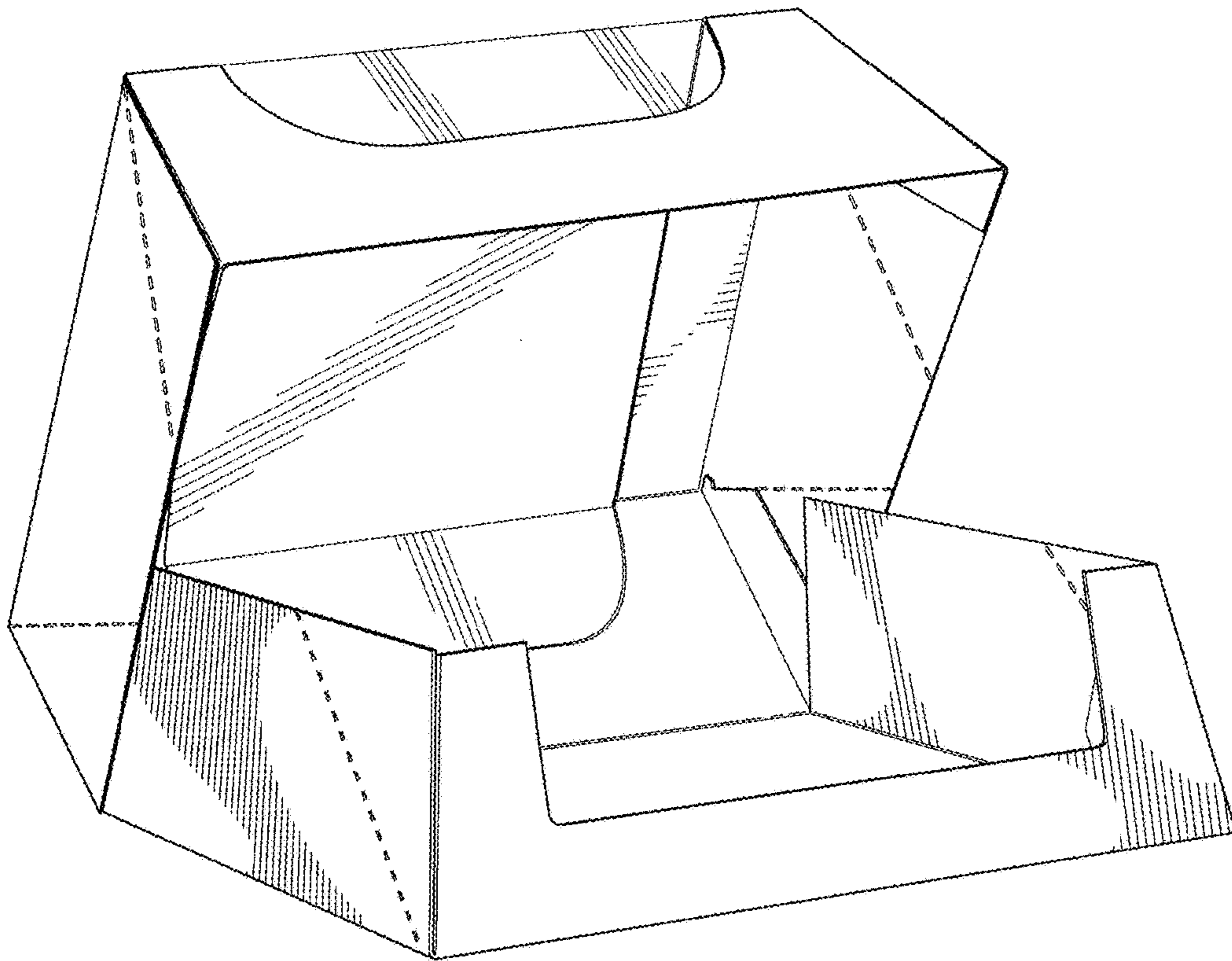


FIG. 5