



US00D816479S

(12) **United States Design Patent** (10) **Patent No.:** **US D816,479 S**
Sill et al. (45) **Date of Patent:** **** May 1, 2018**

- (54) **CLOSEABLE CONTAINER**
- (71) Applicant: **Inno-Pak, LLC**, Delaware, OH (US)
- (72) Inventors: **Jonathan D. Sill**, Powell, OH (US);
Steve A. Mayer, Indianapolis, IN (US)
- (73) Assignee: **Inno-Pak LLC**, Delaware, OH (US)
- (**) Term: **15 Years**
- (21) Appl. No.: **29/604,586**
- (22) Filed: **May 18, 2017**

- D333,781 S * 3/1993 Kobel D30/124
- D365,755 S 1/1996 Kanfer et al.
- D372,401 S 8/1996 Lillelund et al.
- D401,147 S 11/1998 Miller
- D415,960 S 11/1999 Majdanski et al.
- D464,878 S * 10/2002 Thompson D9/415
- D469,349 S 1/2003 Meeker et al.
- D469,692 S 2/2003 Meeker et al.
- D485,172 S * 1/2004 Defino, Jr. D9/415
- D519,366 S * 4/2006 Epstein D9/431
- D536,245 S 2/2007 Bruun
- D536,612 S 2/2007 Geurts et al.
- D578,883 S * 10/2008 Kisch D9/432
- D580,751 S 11/2008 Blick
- D587,998 S 3/2009 Kaisanlahti
- D593,211 S 5/2009 Dewitt

(Continued)

Related U.S. Application Data

- (60) Division of application No. 29/573,600, filed on Aug. 8, 2016, now Pat. No. Des. 787,316, which is a division of application No. 29/545,304, filed on Nov. 11, 2015, now Pat. No. Des. 787,313, which is a continuation-in-part of application No. 29/527,085, filed on May 15, 2015, now Pat. No. Des. 762,113.
- (51) **LOC (11) Cl.** **09-03**
- (52) **U.S. Cl.**
USPC **D9/418**
- (58) **Field of Classification Search**
USPC D9/414-419, 499, 431, 432, 420-422;
D19/91; D7/612; 206/589
CPC B65D 5/4204
See application file for complete search history.

References Cited

U.S. PATENT DOCUMENTS

- D259,253 S 5/1981 Nelson
- D291,065 S 7/1987 Pugh
- D295,958 S 5/1988 Pugh
- 4,911,298 A 3/1990 Miyagawa
- D309,262 S * 7/1990 Coiner D9/418
- D332,347 S 1/1993 Raadt et al.
- D332,744 S 1/1993 McCooey

OTHER PUBLICATIONS

Notice of Allowance dated Apr. 18, 2016 from U.S. Appl. No. 29/527,085.
Office Action dated Feb. 1, 2016 from U.S. Appl. No. 29/516,707.

Primary Examiner — Rhea Shields

(74) *Attorney, Agent, or Firm* — Ward and Smith, P.A.;
Ryan K. Simmons

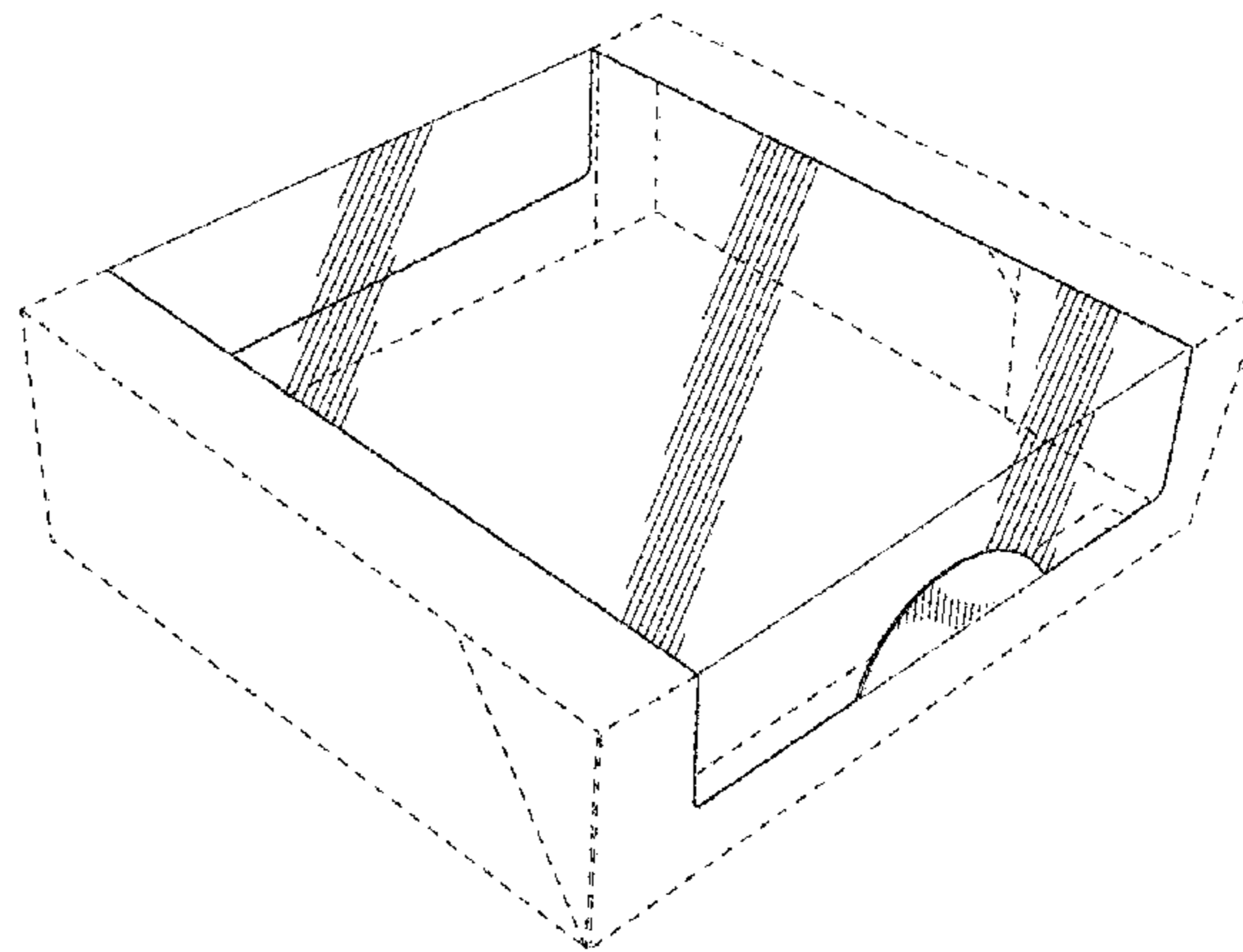
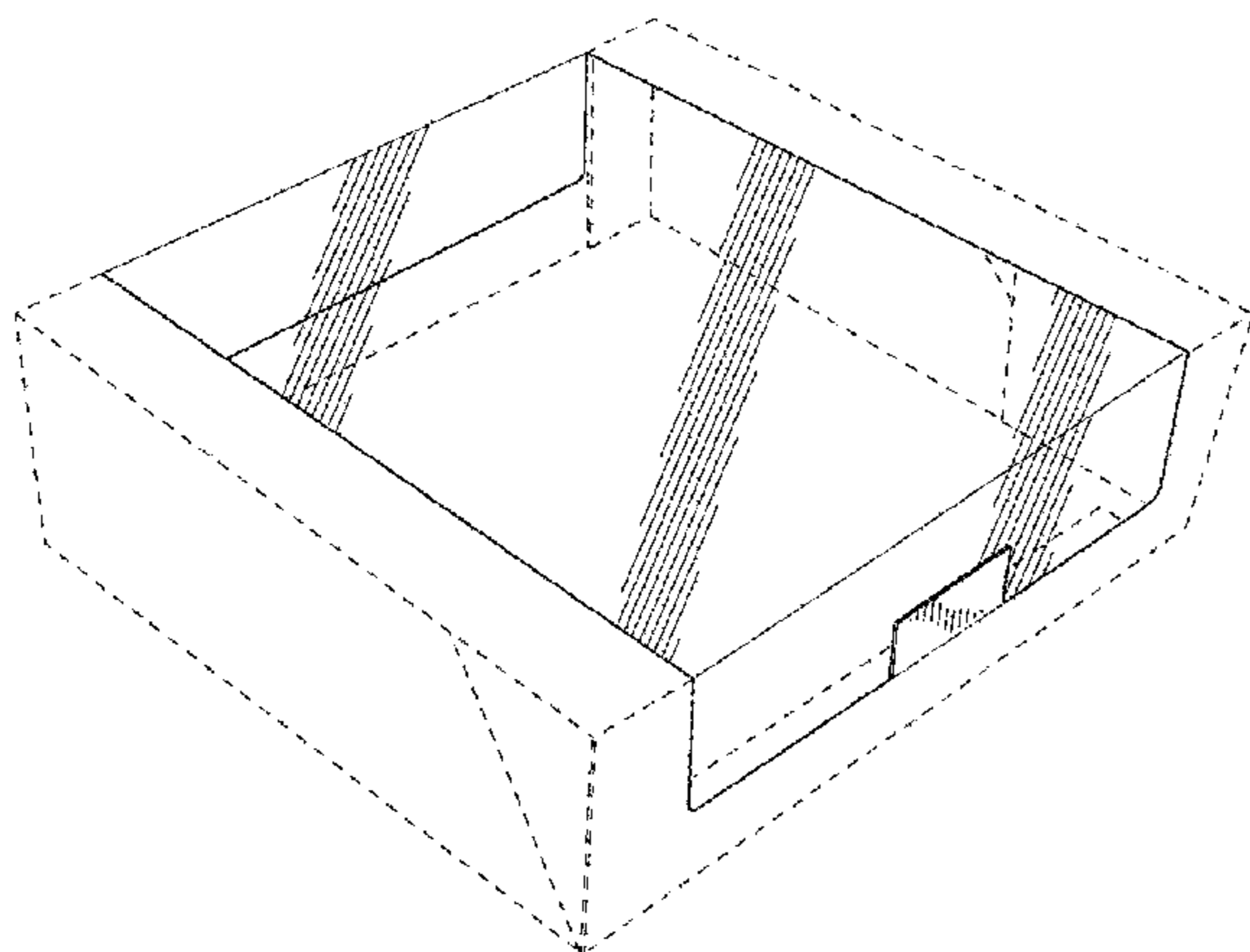
(57) **CLAIM**

The ornamental design for a closeable container, as shown and described.

DESCRIPTION

FIG. 1 is a perspective view of a closeable container showing a new design; and,
FIG. 2 is another perspective view of the closeable container showing an alternate configuration.
In the drawings, the dash-dot-dash lines are for the purpose of illustrating the boundaries of the claim. The dash-dash broken lines are for the purpose of illustrating environment only and form no part of the claimed design.

1 Claim, 2 Drawing Sheets



(56)

References Cited

U.S. PATENT DOCUMENTS

D595,104 S	6/2009	Goodrich	
D602,353 S	10/2009	Anderson et al.	
D607,987 S	1/2010	Paxton	
D617,636 S	6/2010	Vanhoutte	
D618,543 S	6/2010	Polaski	
7,780,004 B2 *	8/2010	Carlozzi	B65D 85/26 206/443
D623,939 S *	9/2010	Tearle	D9/433
D626,831 S	11/2010	Nicholas	
D636,662 S	4/2011	Ignacio et al.	
D637,078 S	5/2011	Peng	
D638,702 S	5/2011	Lowery	
D644,099 S	8/2011	Martinez Rodriguez	
D644,508 S	9/2011	Martinez Rodriguez	
D646,964 S	10/2011	Ampadu	
D647,398 S *	10/2011	Winkler	D9/417
D649,067 S	11/2011	Birdwell et al.	
D649,886 S *	12/2011	Ocampo	D9/415
D651,074 S *	12/2011	Lacey	D9/429
D655,153 S *	3/2012	Mitten	D9/420
D668,540 S	10/2012	Lutzig	
D675,092 S *	1/2013	Sill	D9/431
D675,920 S	2/2013	Sill	
D678,779 S	3/2013	Lee	
D679,950 S	4/2013	Cooper	
D681,444 S	5/2013	Oja et al.	
D685,633 S	7/2013	Thomas	
D688,568 S	8/2013	Noel	
D693,215 S *	11/2013	Sill	D9/418
D693,216 S	11/2013	Sill	
D693,217 S	11/2013	Sill	
D693,218 S *	11/2013	Sill	D9/418
D695,104 S	12/2013	Sill	
D696,725 S *	12/2013	Sasken-Duff	D19/91
8,607,987 B2	12/2013	Oja et al.	
D706,132 S *	6/2014	Sill	D9/432
D708,511 S *	7/2014	Green	D9/416
D712,275 S	9/2014	Irek	
D713,716 S	9/2014	Oja et al.	
D716,649 S	11/2014	McAdam	
D717,162 S *	11/2014	Baker	D9/431
D717,163 S *	11/2014	Paulsen	D9/431
D717,645 S	11/2014	Wilmers	
D719,440 S	12/2014	Matloff	
D727,732 S *	4/2015	Petty	D9/415
D728,357 S *	5/2015	Pierce, Jr.	D9/416
D729,055 S	5/2015	Lemnios et al.	
D729,058 S *	5/2015	Ishikawa	D9/423
D739,228 S	9/2015	Jondal et al.	
D746,673 S *	1/2016	Sanfilippo	D9/416
D746,700 S *	1/2016	Boehnen	D9/418
D753,919 S	4/2016	Parker	
D760,598 S *	7/2016	White	D9/711
D762,113 S	7/2016	Mayer	
D766,108 S *	9/2016	Brown	D9/721
D774,891 S	12/2016	Mayer	
D774,893 S	12/2016	Mayer	
D774,895 S	12/2016	Mayer	
D774,896 S	12/2016	Mayer	
D774,897 S	12/2016	Mayer	
D774,898 S	12/2016	Mayer	
D776,522 S	1/2017	Mayer	
D786,663 S	5/2017	Mayer	
D787,313 S	5/2017	Mayer	
D787,314 S	5/2017	Sill	
D787,315 S	5/2017	Sill	
D787,316 S	5/2017	Sill	
D787,929 S	5/2017	Sill	
D787,933 S	5/2017	Sill	
2009/0236351 A1	9/2009	Chu et al.	
2010/0059579 A1	3/2010	House	
2014/0103100 A1	4/2014	Falcon	
2015/0344216 A1 *	12/2015	Petty	B65D 5/4204 206/589
2016/0362220 A1	12/2016	Kearns	
2017/0066586 A1	3/2017	Petty	

* cited by examiner

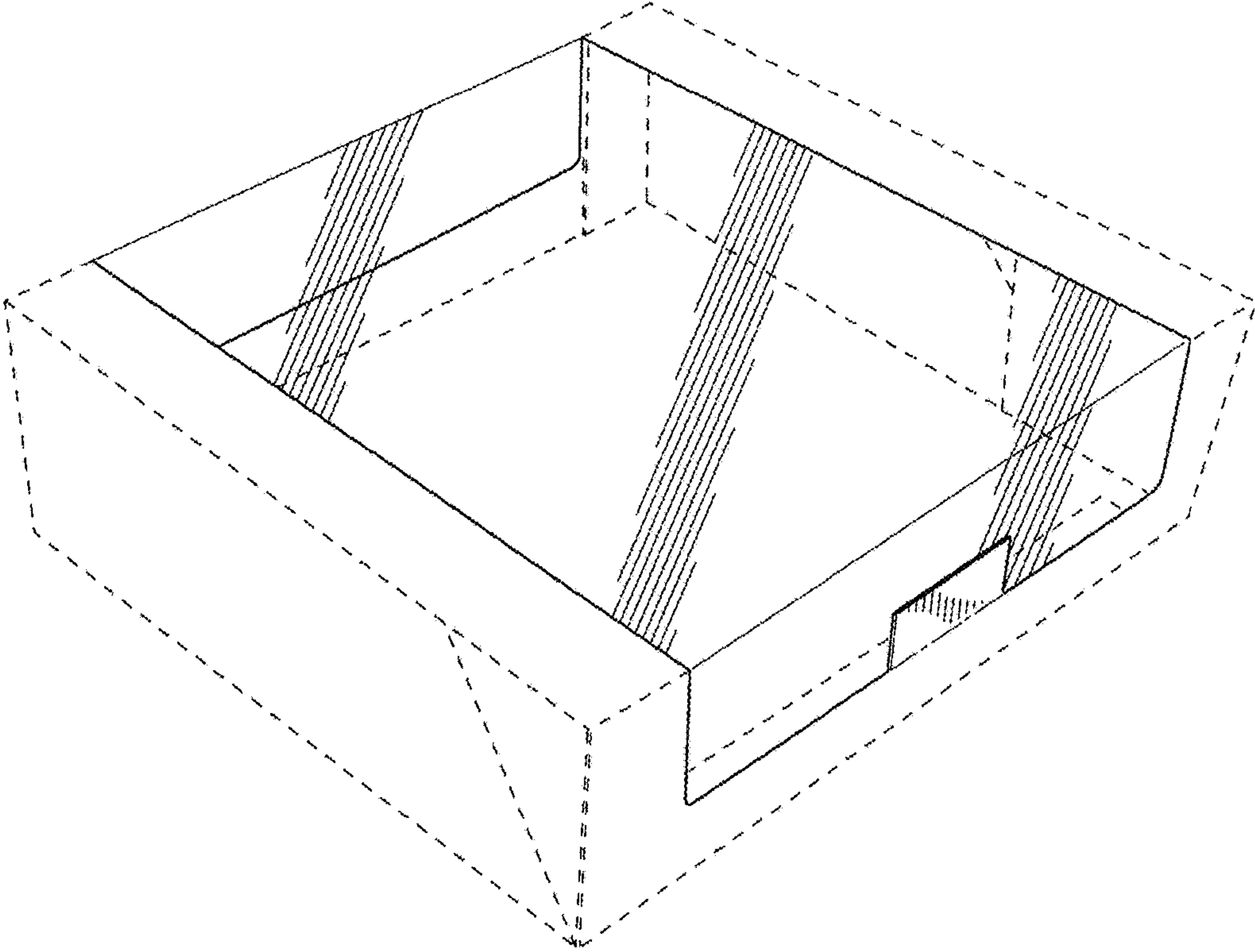


FIG. 1

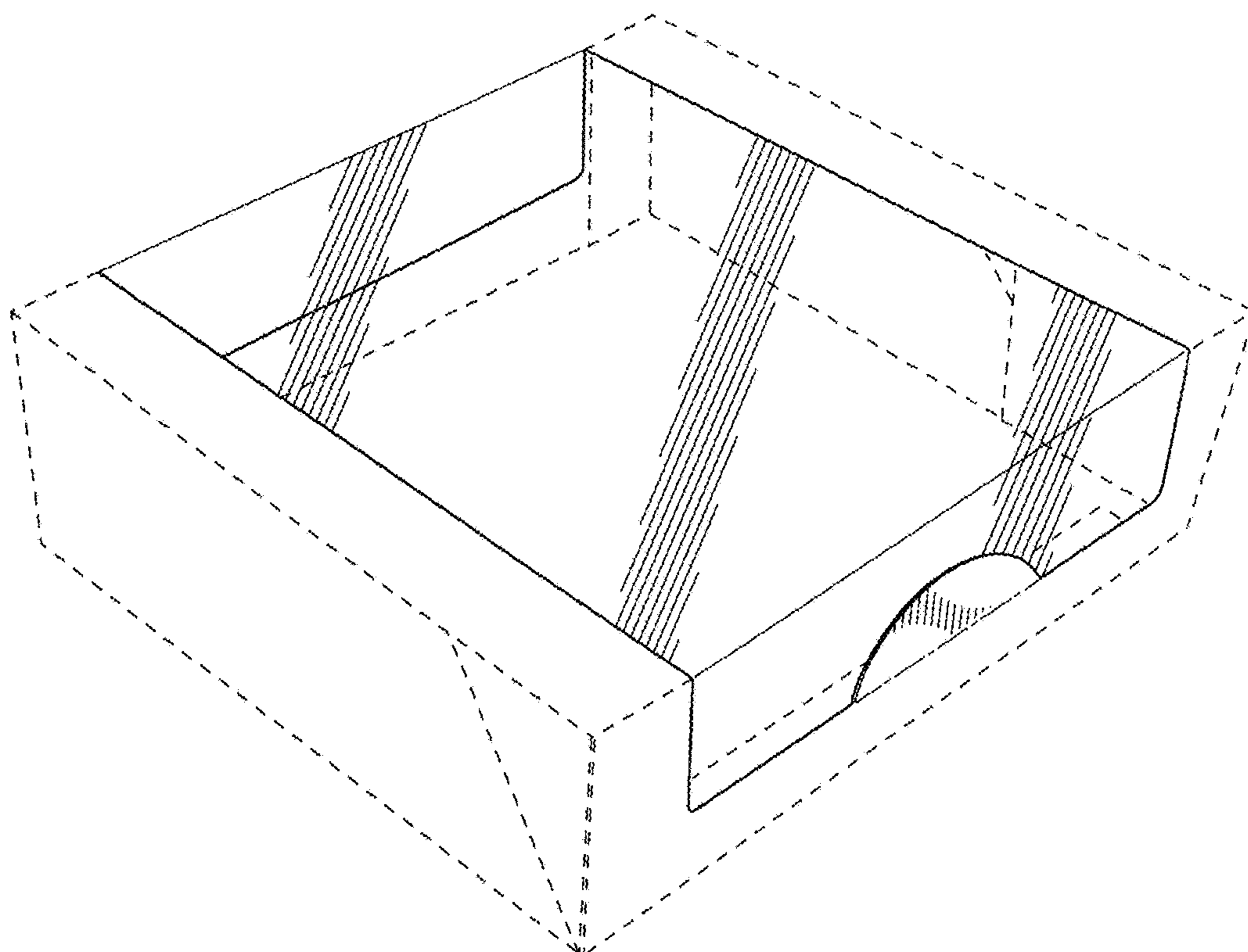


FIG. 2