



US00D816476S

(12) **United States Design Patent**  
**Shargh**

(10) **Patent No.:** **US D816,476 S**

(45) **Date of Patent:** **\*\* May 1, 2018**

(54) **TARP CLIP**

(71) Applicant: **HAMPTON PRODUCTS INTERNATIONAL CORPORATION**,  
Foothill Ranch, CA (US)

(72) Inventor: **Hossein Molaie Shargh**, Santa  
Margarita, CA (US)

(73) Assignee: **HAMPTON PRODUCTS INTERNATIONAL CORPORATION**,  
Foothill Ranch, CA (US)

(\*\*) Term: **15 Years**

(21) Appl. No.: **29/599,673**

(22) Filed: **Apr. 5, 2017**

(51) **LOC (11) Cl.** ..... **08-08**

(52) **U.S. Cl.**  
USPC ..... **D8/395**

(58) **Field of Classification Search**  
USPC ..... D8/349, 382, 394, 395, 398; D23/367;  
D26/125  
CPC ..... A47G 25/485; B65D 33/16175; D06F  
55/02; F16B 2/10; F16B 2/20  
See application file for complete search history.

(56) **References Cited**

U.S. PATENT DOCUMENTS

D249,128 S *	8/1978	Stookey	.....	D10/74
D299,006 S *	12/1988	Mednick	.....	D21/599
D365,017 S *	12/1995	Rohrig	.....	D8/394
D414,006 S *	9/1999	Ancona	.....	D21/597
D477,528 S *	7/2003	Adams	.....	D19/65
D477,987 S *	8/2003	Adams	.....	D19/65
D477,988 S *	8/2003	Adams	.....	D19/65
D533,804 S *	12/2006	Anastasiadis	.....	D11/84
D561,573 S *	2/2008	Hyde	.....	D8/395
D612,455 S *	3/2010	Henderson	.....	D21/597

D614,246 S *	4/2010	Cohen	.....	D21/472
D622,784 S *	8/2010	Cohen	.....	D10/46.2
D631,103 S *	1/2011	Cohen	.....	D21/472
D670,998 S *	11/2012	Lavoie	.....	D8/395
D671,822 S *	12/2012	van der Lande	.....	D8/395
D671,823 S *	12/2012	van der Lande	.....	D8/395
D671,824 S *	12/2012	van der Lande	.....	D8/395
D671,825 S *	12/2012	van der Lande	.....	D8/395
D690,459 S *	9/2013	Asquith	.....	D26/125
D697,396 S *	1/2014	Goodman	.....	D8/395
D697,397 S *	1/2014	Goodman	.....	D8/395
D705,646 S *	5/2014	Finn	.....	D8/395

(Continued)

*Primary Examiner* — John Windmuller

*Assistant Examiner* — Steven J Czyz

(74) *Attorney, Agent, or Firm* — Klein, O'Neill & Singh, LLP

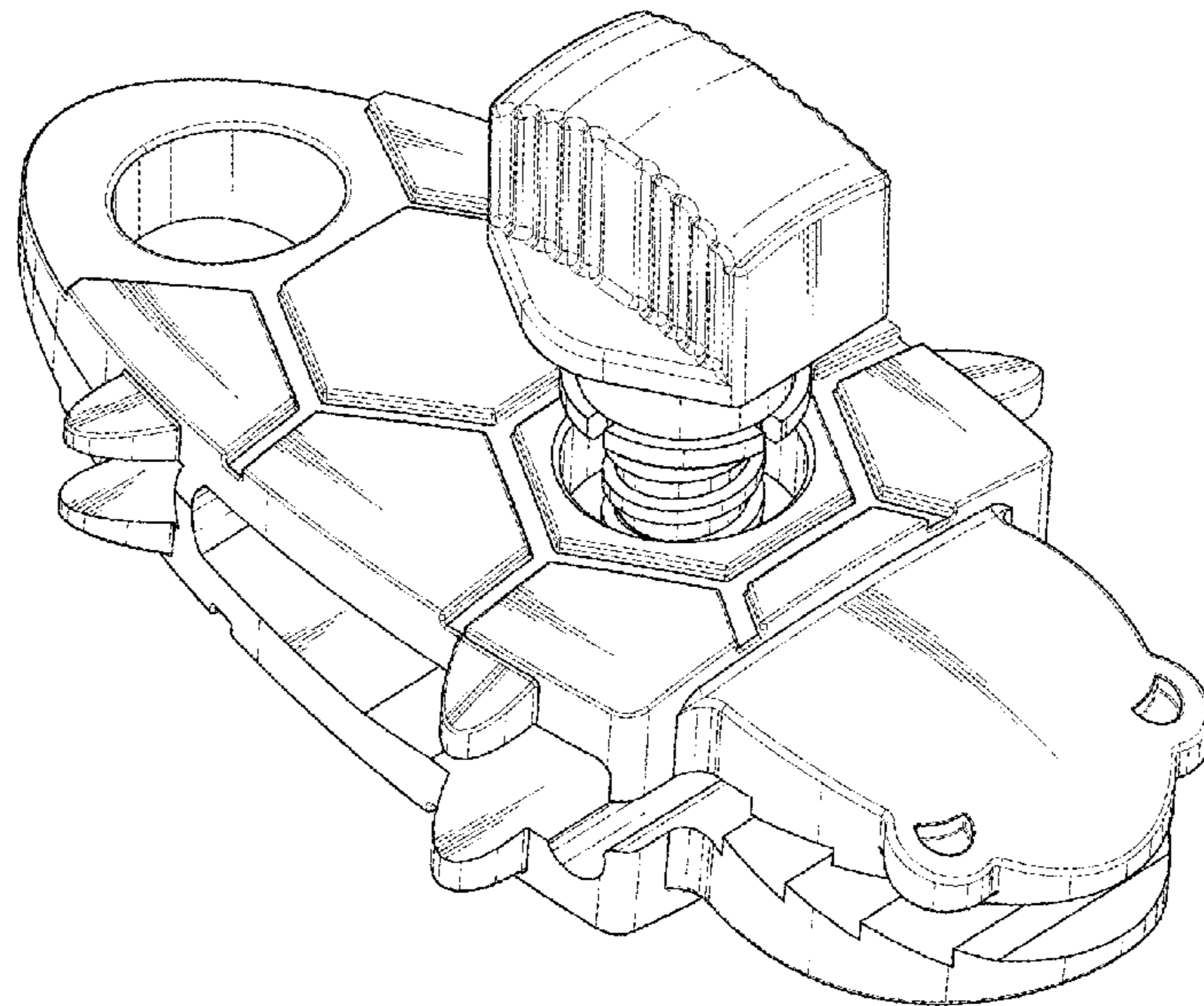
(57) **CLAIM**

The ornamental design for a tarp clip, as shown and described.

**DESCRIPTION**

FIG. 1 is a top, rear, and right side perspective view of a tarp clip showing my new design;  
 FIG. 2 is a top, front, and right side perspective view of the tarp clip shown in FIG. 1;  
 FIG. 3 is a top plan view of the tarp clip shown in FIG. 1;  
 FIG. 4 is a bottom plan view of the tarp clip shown in FIG. 1;  
 FIG. 5 is a side elevation view of the tarp clip shown in FIG. 1, taken from the right side of FIG. 1;  
 FIG. 6 is a side elevation view of the tarp clip shown in FIG. 1, taken from the left side of FIG. 1;  
 FIG. 7 is a rear elevation view of the tarp clip shown in FIG. 1; and,  
 FIG. 8 is a front elevation view of the tarp clip shown in FIG. 1.

**1 Claim, 4 Drawing Sheets**



(56)

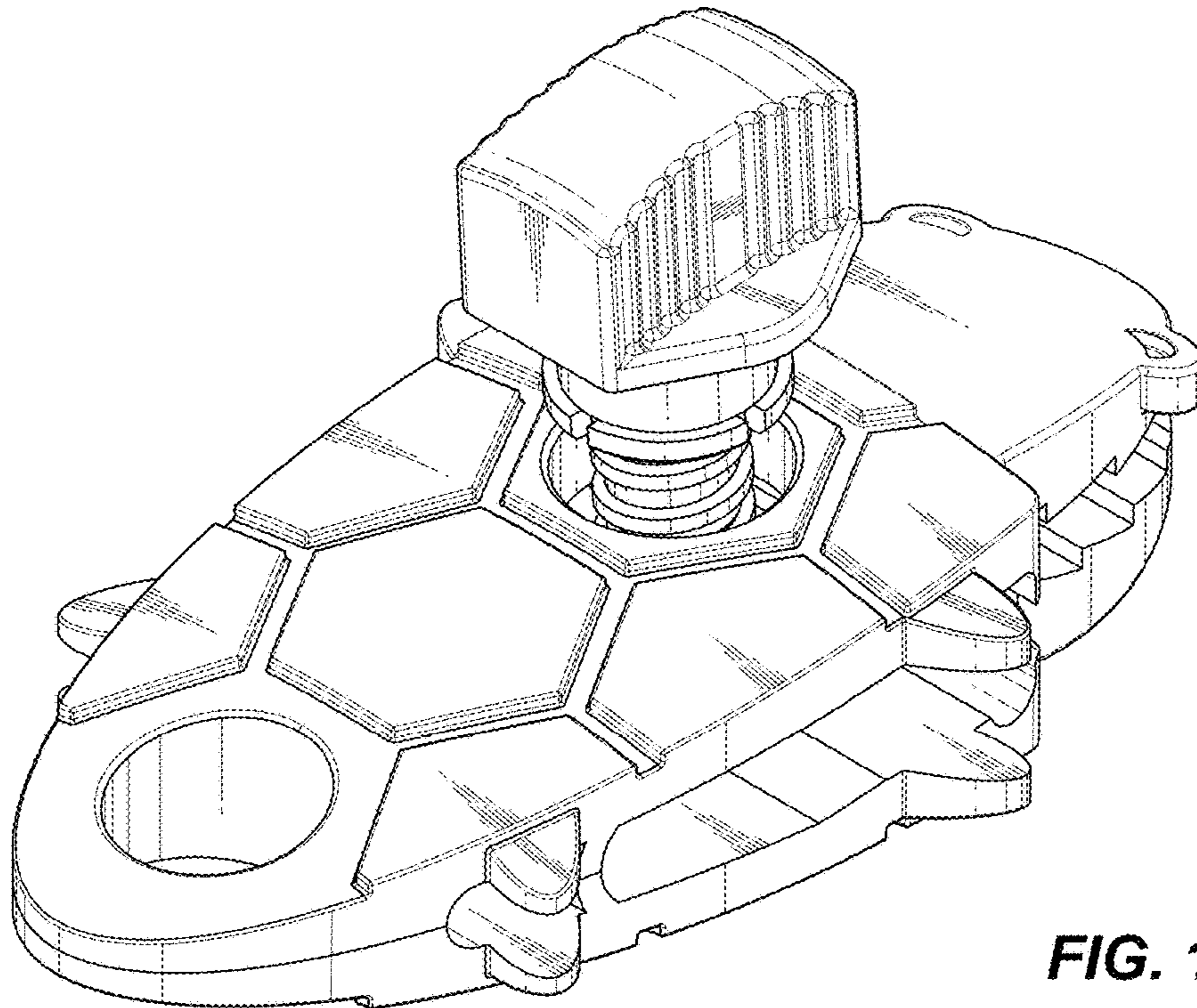
**References Cited**

## U.S. PATENT DOCUMENTS

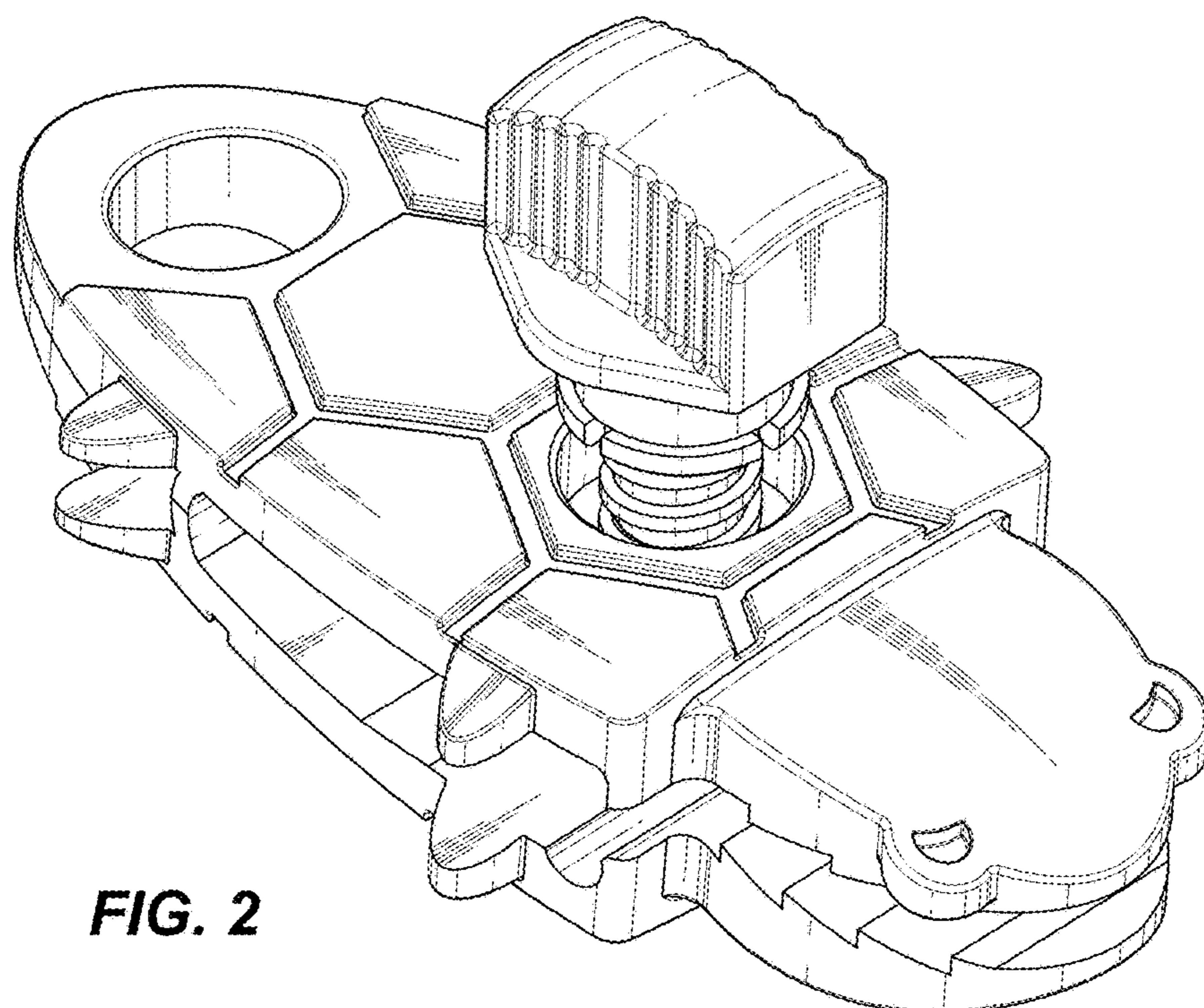
D706,616	S	*	6/2014	Katz	.....	D8/394
D707,546	S	*	6/2014	Katz	.....	D8/394
D714,681	S	*	10/2014	Katz	.....	D11/215
D720,816	S	*	1/2015	Nelson	.....	D21/453
D721,948	S	*	2/2015	Hellkamp	.....	D8/395
D725,462	S	*	3/2015	Zilisch	.....	D8/395
D743,245	S	*	11/2015	Roeters	.....	D8/395
D750,476	S	*	3/2016	Huang	.....	D8/395
D751,377	S	*	3/2016	Duffy	.....	D8/395
D752,965	S	*	4/2016	Blaney	.....	D8/394
D752,966	S	*	4/2016	Katz	.....	D8/395
D752,967	S	*	4/2016	Katz	.....	D8/395
D753,775	S	*	4/2016	Majure Maysan	.....	D21/597
D755,620	S	*	5/2016	Li	.....	D8/395
D787,926	S	*	5/2017	Cramer	.....	D8/394
D794,437	S	*	8/2017	Zinser	.....	D8/395
D795,050	S	*	8/2017	Kim	.....	D8/395
D796,945	S	*	9/2017	Stokeley	.....	D8/395
D798,139	S	*	9/2017	Giannatti	.....	D8/394
D799,022	S	*	10/2017	Ksiazek	.....	D23/411
D799,951	S	*	10/2017	Habraken	.....	D8/395

\* cited by examiner

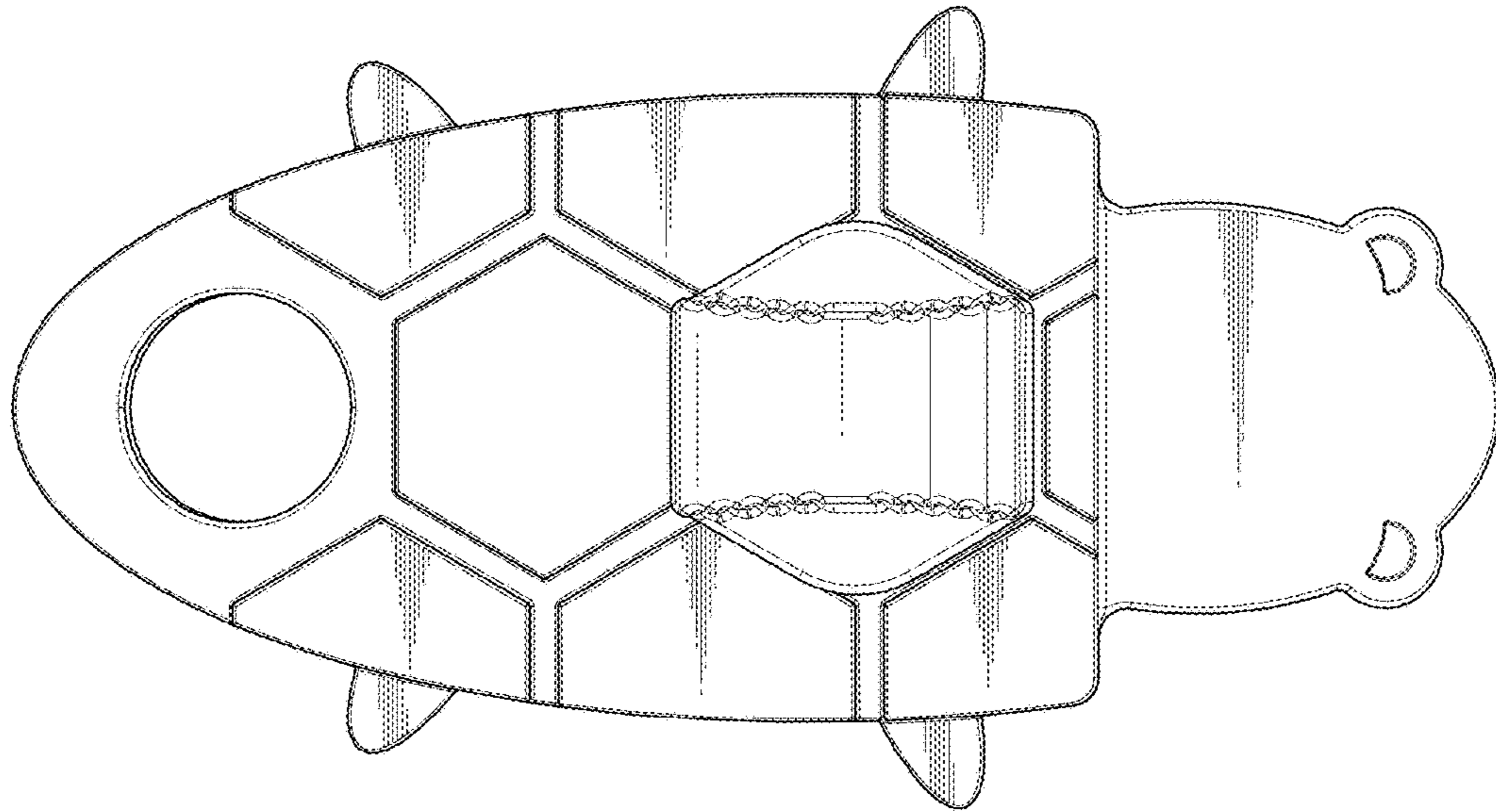




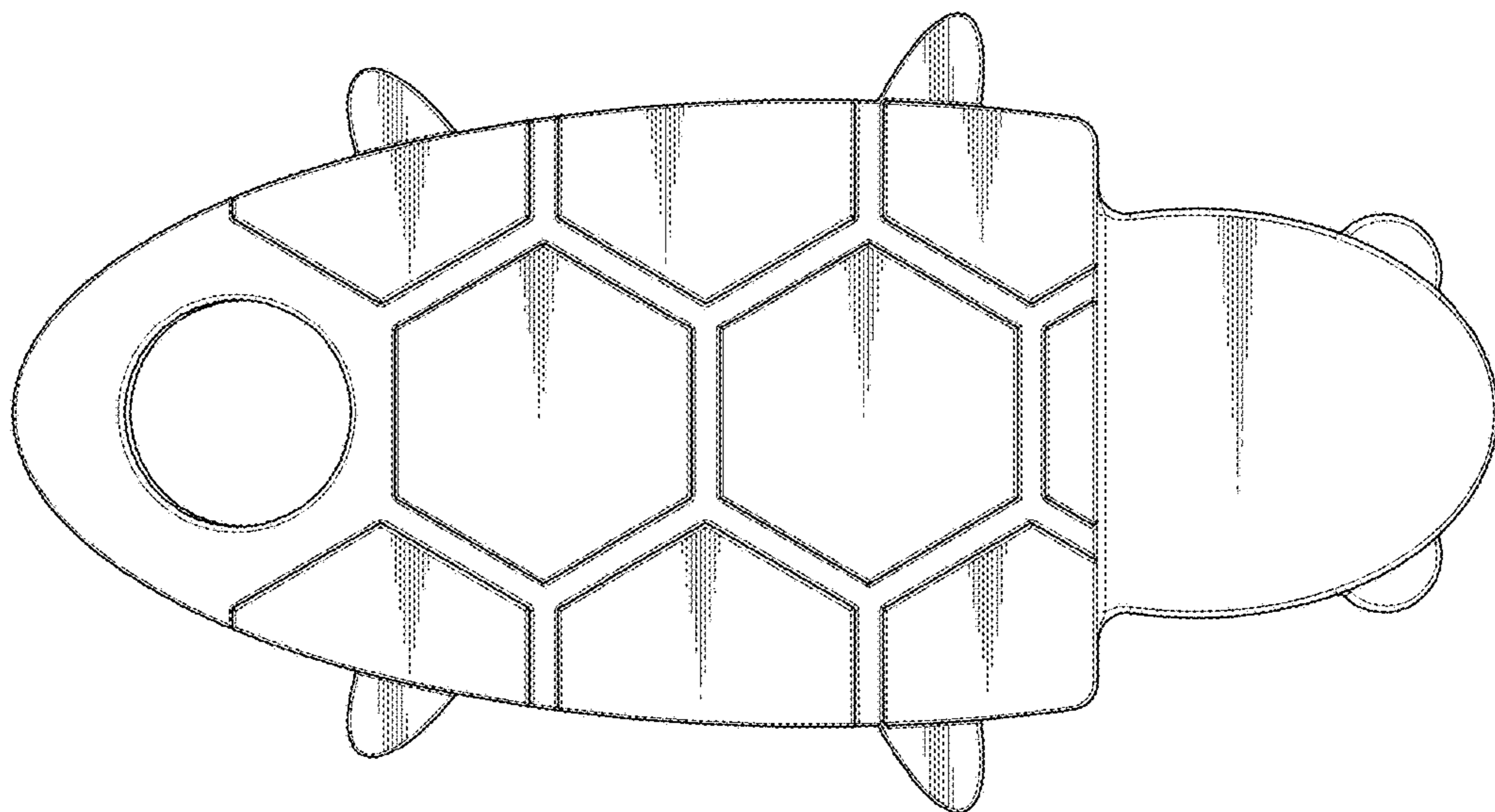
**FIG. 1**



**FIG. 2**

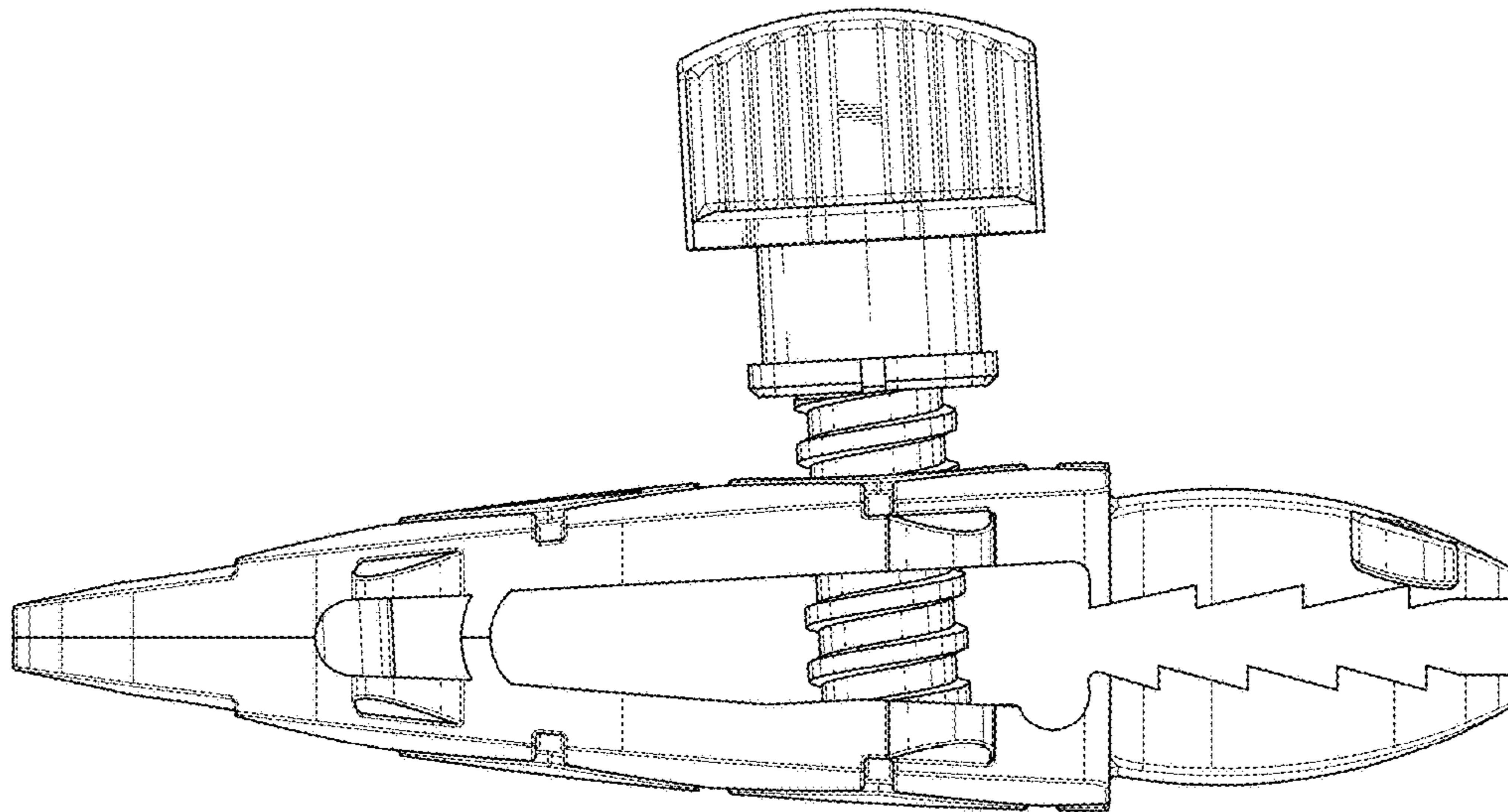


**FIG. 3**

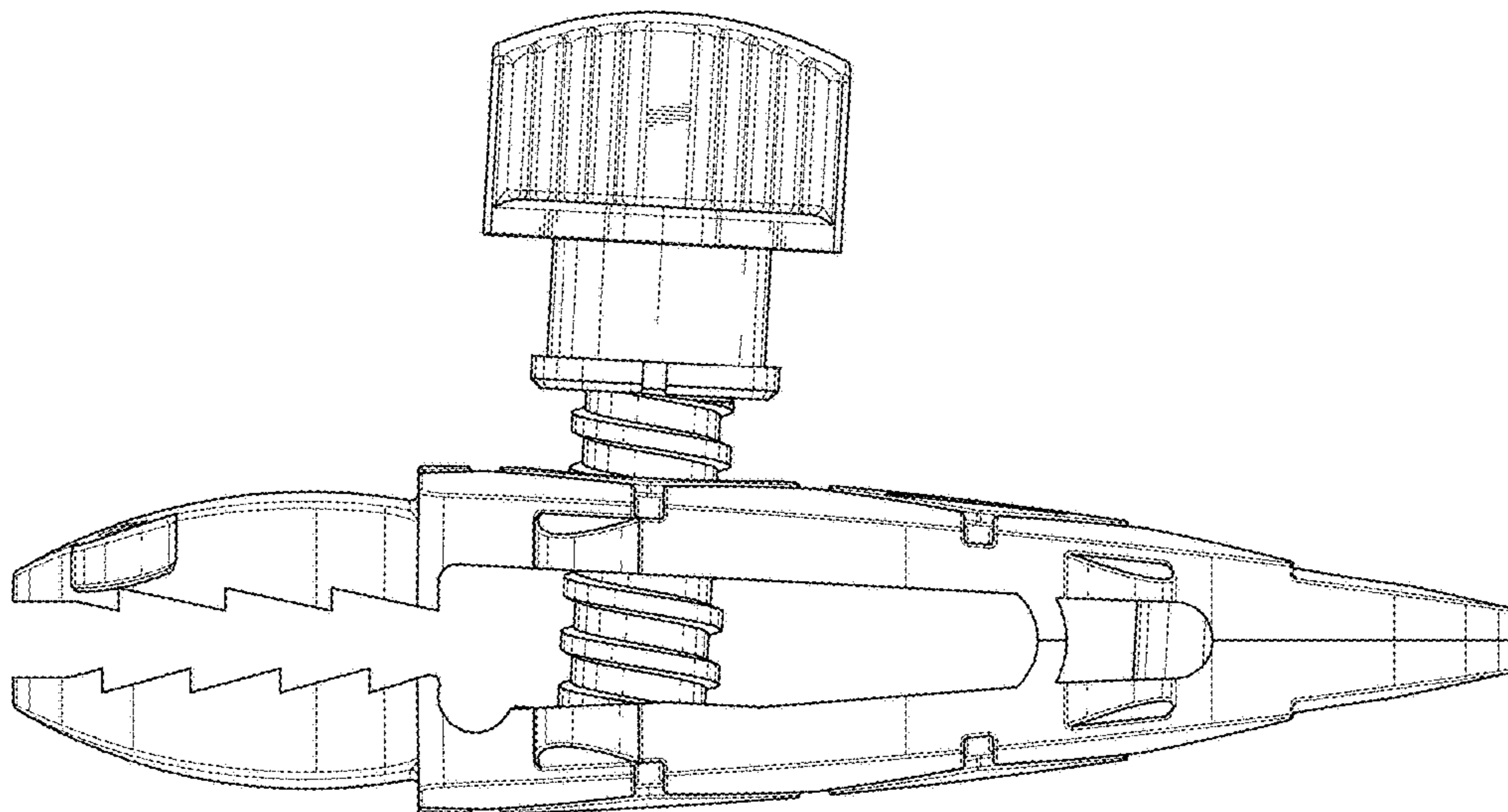


**FIG. 4**

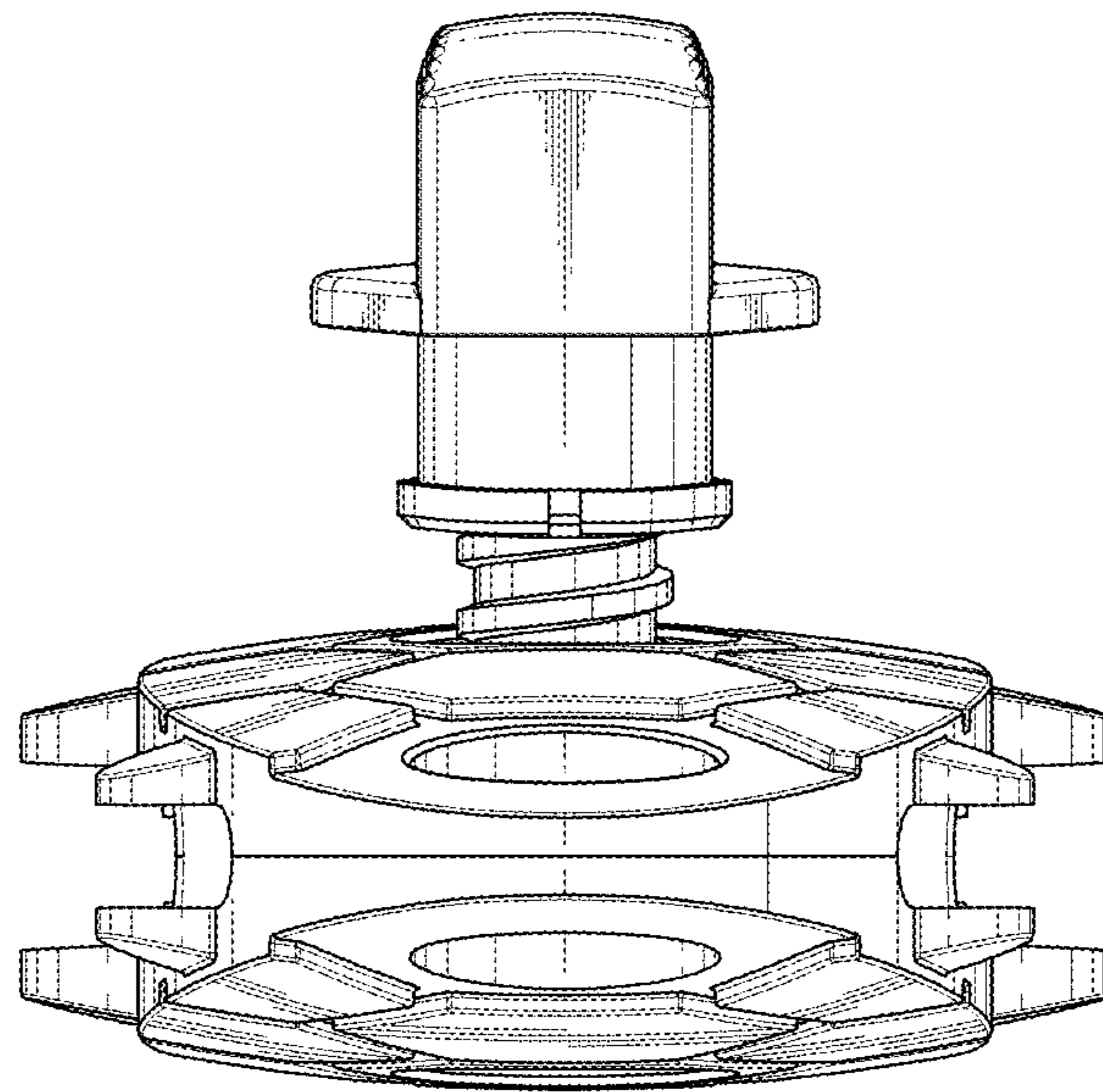




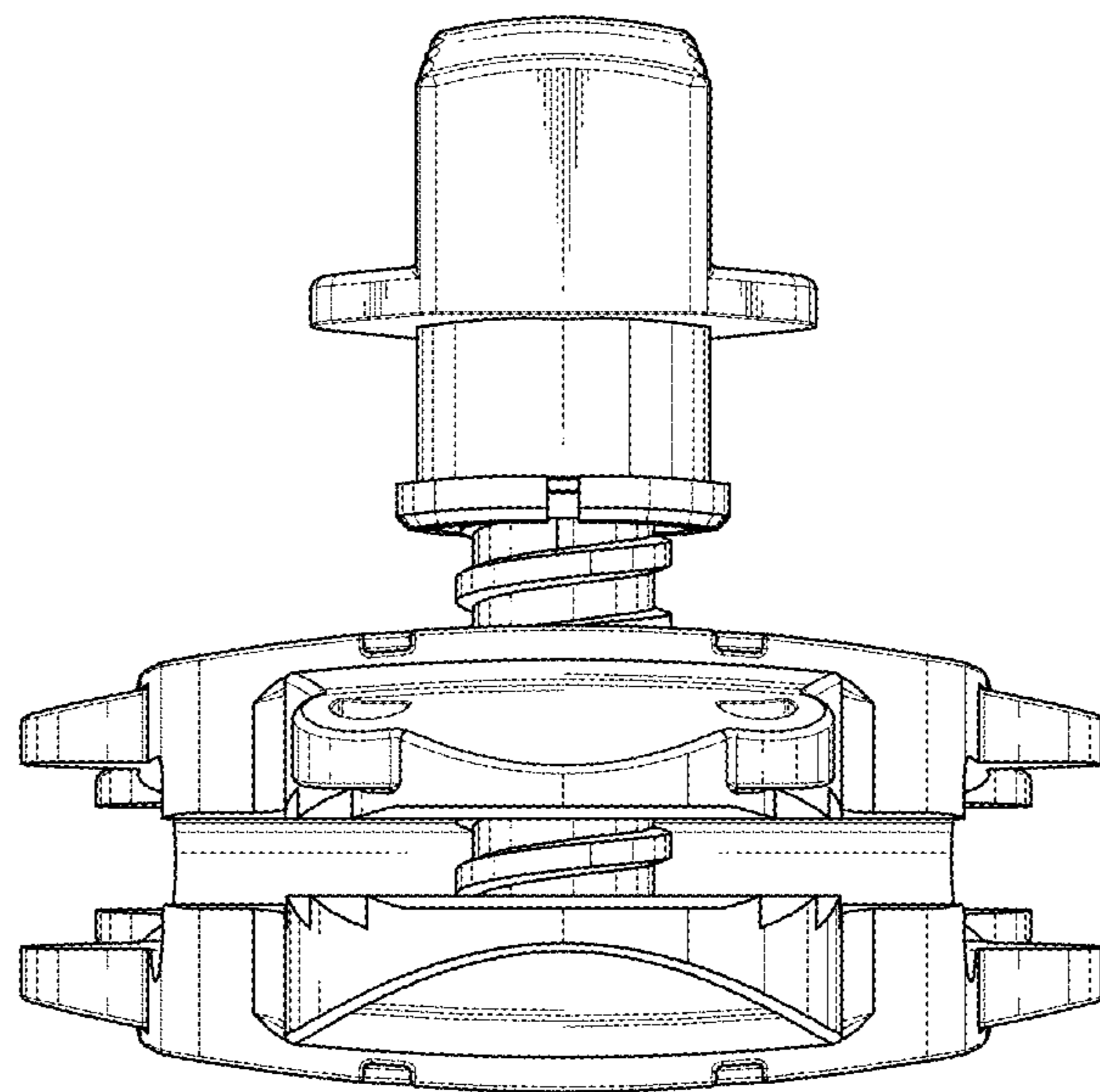
**FIG. 5**



**FIG. 6**



**FIG. 7**



**FIG. 8**