



US00D816475S

(12) **United States Design Patent**
Ochi et al.

(10) **Patent No.:** **US D816,475 S**
(45) **Date of Patent:** **** May 1, 2018**

- (54) **CLIP FOR CIRCUIT BOARD**
- (71) Applicant: **SMK Corporation**, Tokyo (JP)
- (72) Inventors: **Yoji Ochi**, Saitama (JP); **Kiyoshi Asai**, Kanagawa (JP); **Fumio Osawa**, Tokyo (JP); **Tomoyasu Yanase**, Tokyo (JP)
- (73) Assignee: **SMK Corporation**, Tokyo (JP)
- (**) Term: **15 Years**
- (21) Appl. No.: **29/599,566**
- (22) Filed: **Apr. 5, 2017**
- (30) **Foreign Application Priority Data**
Oct. 6, 2016 (JP) 2016-021776
- (51) **LOC (11) Cl.** **08-08**
- (52) **U.S. Cl.**
USPC **D8/395**
- (58) **Field of Classification Search**
USPC D8/349, 382, 394, 395
CPC F16B 2/02; F16B 2/20; F16B 2/241; F16B 5/06; H05K 7/14; H05K 7/1404; H05K 7/1405
See application file for complete search history.

5,631,619 A *	5/1997	Evans	B22D 19/00
				337/166
D543,447 S *	5/2007	Allsopp	D8/394
D553,969 S *	10/2007	Allsopp	D8/394
D576,478 S *	9/2008	Mead	D8/395
D587,100 S *	2/2009	Allsopp	D8/356
D625,580 S *	10/2010	Giordano	D8/349
D632,554 S *	2/2011	Grzyb	D8/395
D690,583 S *	10/2013	Sendra-Gonzalez	..	F24J 2/5203
				D8/394
D732,382 S *	6/2015	Zalanca	D8/394
D762,106 S *	7/2016	Lo	D8/349
D762,456 S *	8/2016	Lo	D8/349
D762,457 S *	8/2016	Lo	D8/349
D770,268 S *	11/2016	Lo	D8/395
D787,173 S *	5/2017	Parnell	D3/10
D793,215 S *	8/2017	Gallion	D8/394
D796,305 S *	9/2017	Brigham	D8/382
2001/0043464 A1 *	11/2001	Takahashi	G01P 1/00
				361/752
2017/0099745 A1 *	4/2017	Dang	H05K 7/2039

* cited by examiner

Primary Examiner — John Windmuller
Assistant Examiner — Steven J Czyz

(57) **CLAIM**

The ornamental design for a clip for circuit board, as shown and described.

(56) **References Cited**

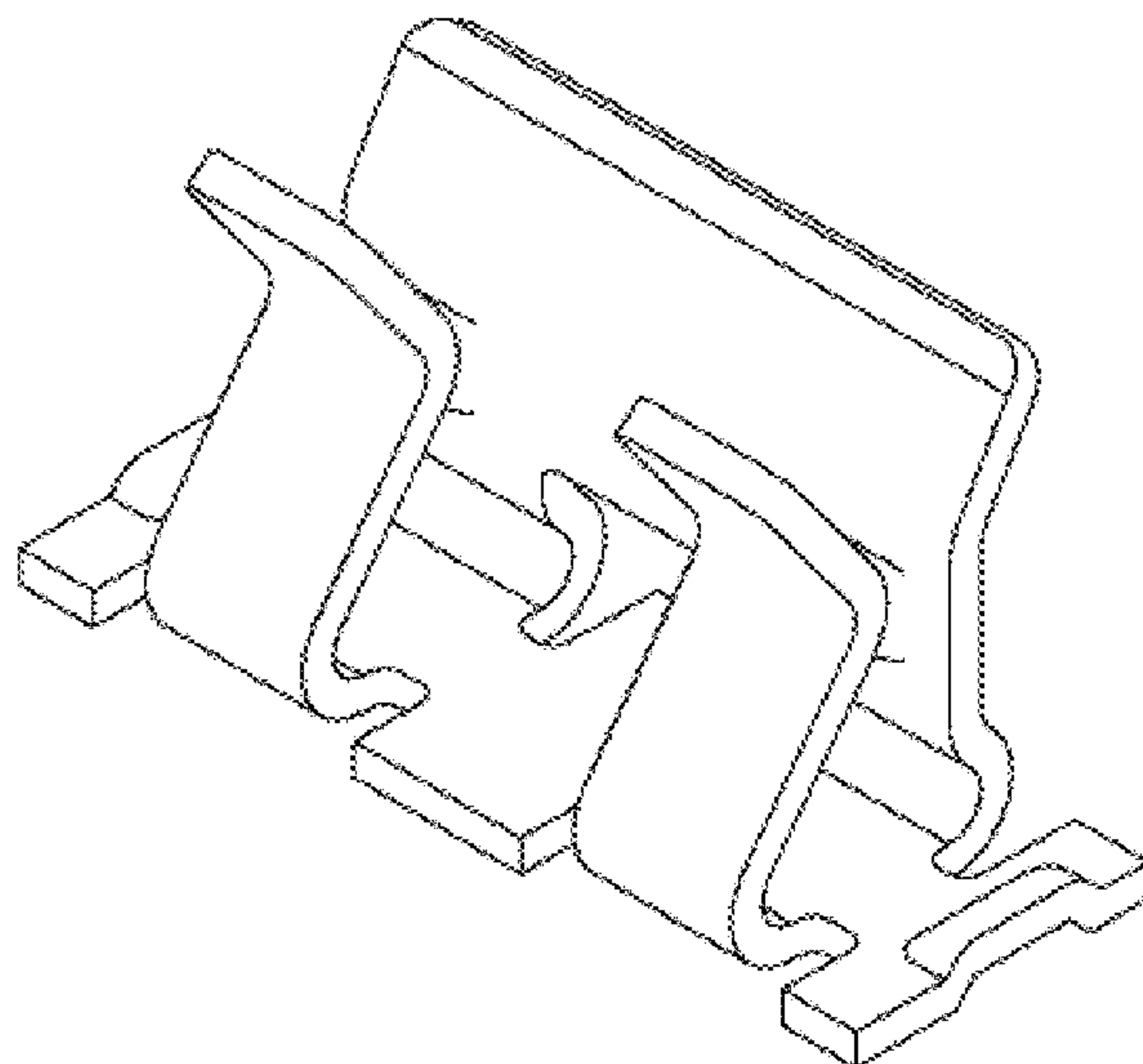
U.S. PATENT DOCUMENTS

2,943,295 A *	6/1960	Stewart	H01H 85/24
				337/226
3,287,690 A *	11/1966	Book	H01H 85/202
				248/316.7
3,815,071 A *	6/1974	Sleeter	H01H 85/202
				337/215
3,996,500 A *	12/1976	Coules	H05K 7/12
				174/138 D
4,547,036 A *	10/1985	Keglewitsch	H01H 85/24
				439/680
D291,410 S *	8/1987	Czyborra	D8/394

DESCRIPTION

FIG. 1 is a front perspective view of a clip for circuit board, showing our new design;
FIG. 2 is a rear perspective view thereof;
FIG. 3 is a front elevation view thereof;
FIG. 4 is a rear elevation view thereof;
FIG. 5 is a top plan view of the thereof;
FIG. 6 is a bottom plan view thereof; and,
FIG. 7 is a right side elevation view thereof.

1 Claim, 4 Drawing Sheets



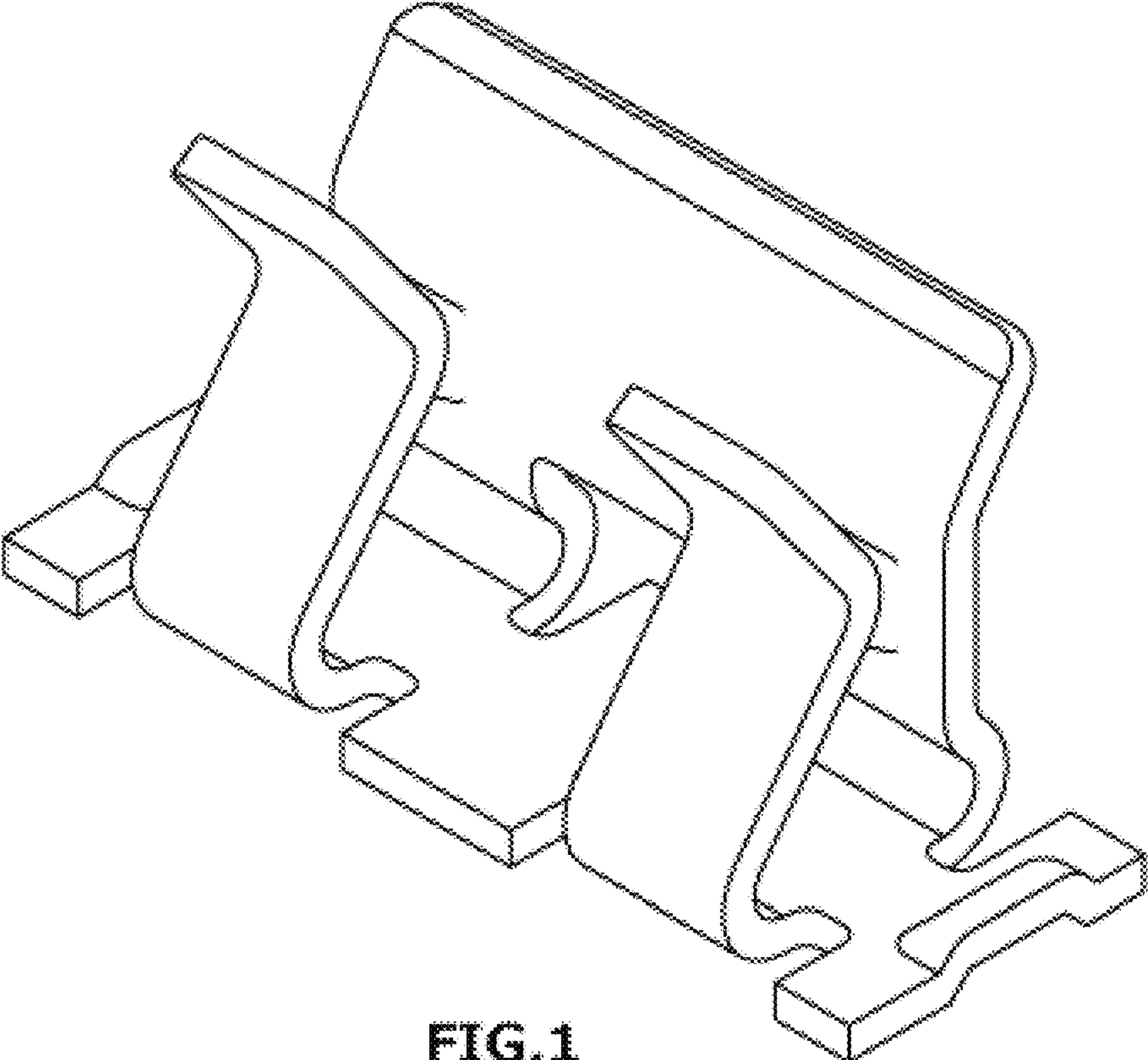


FIG. 1

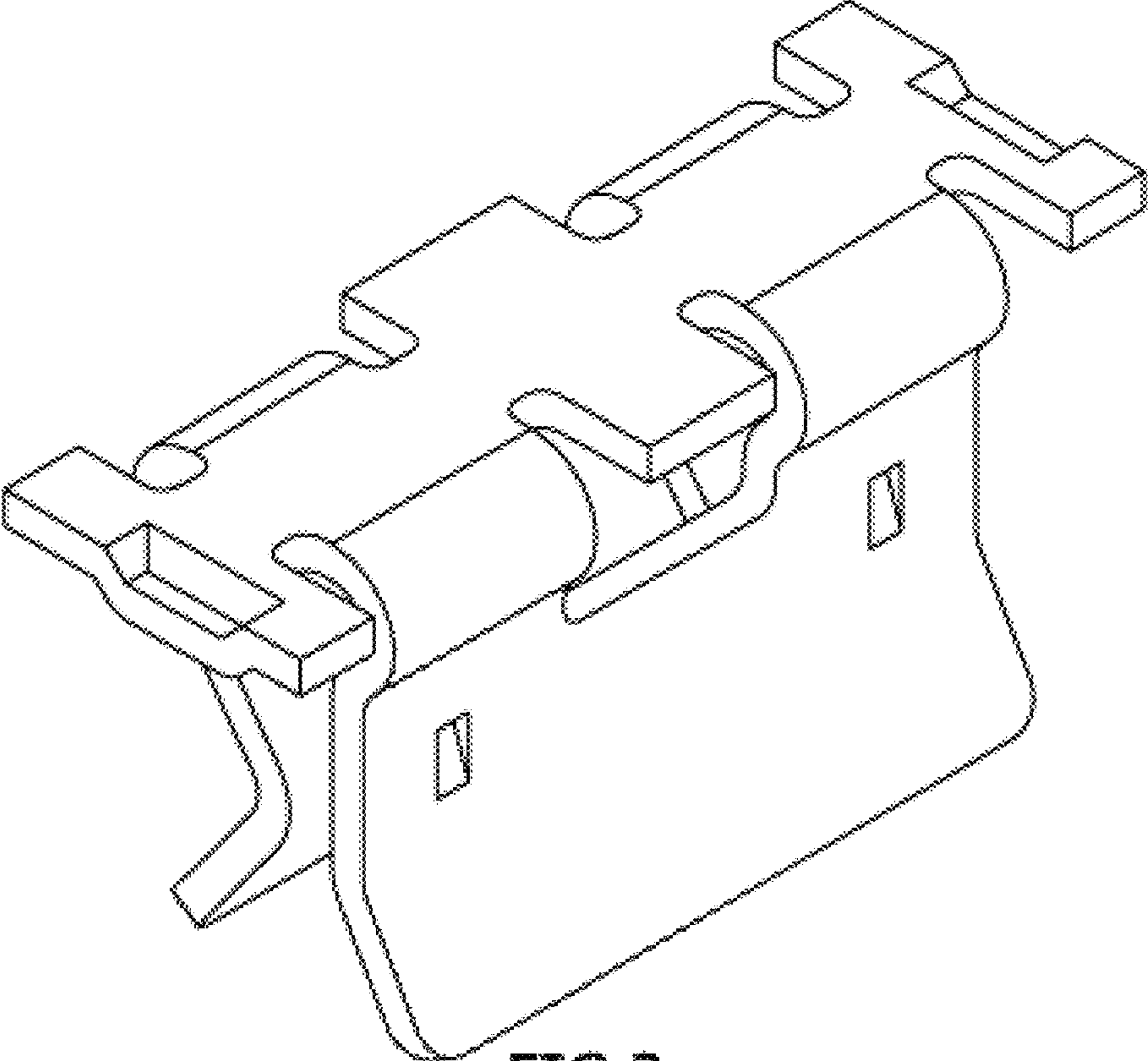


FIG. 2

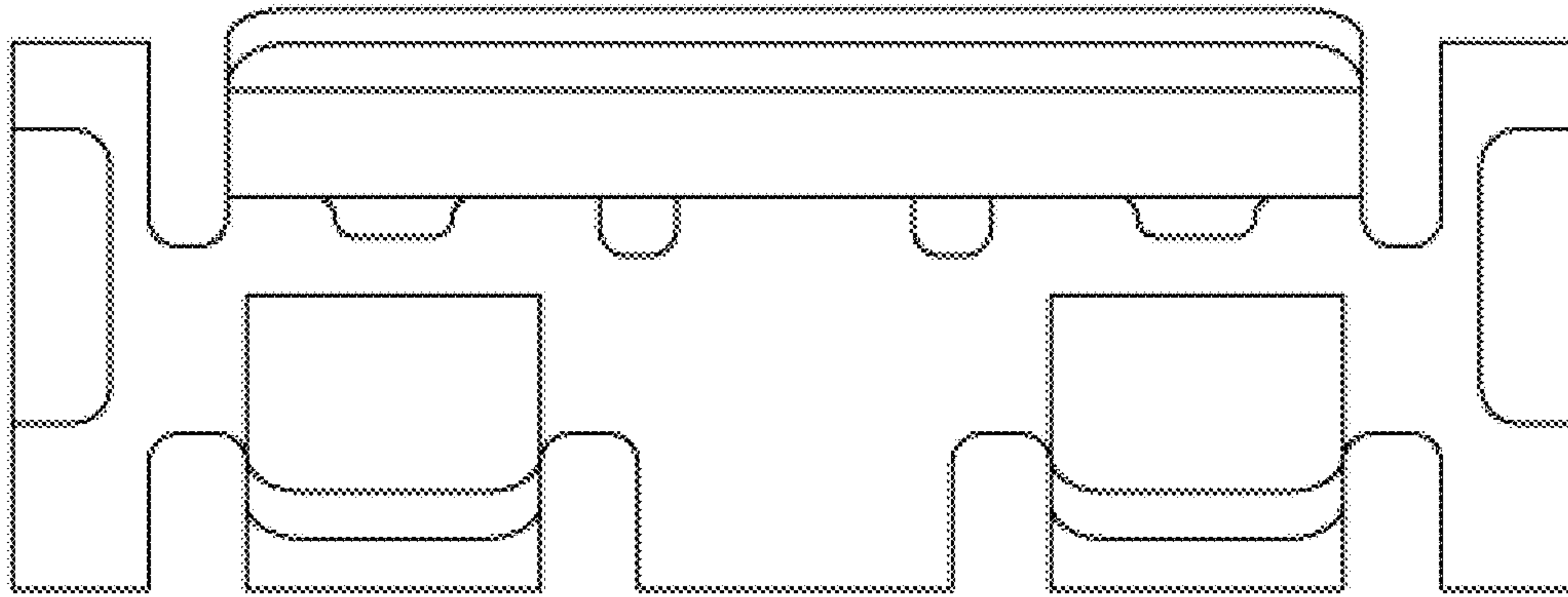


FIG. 3

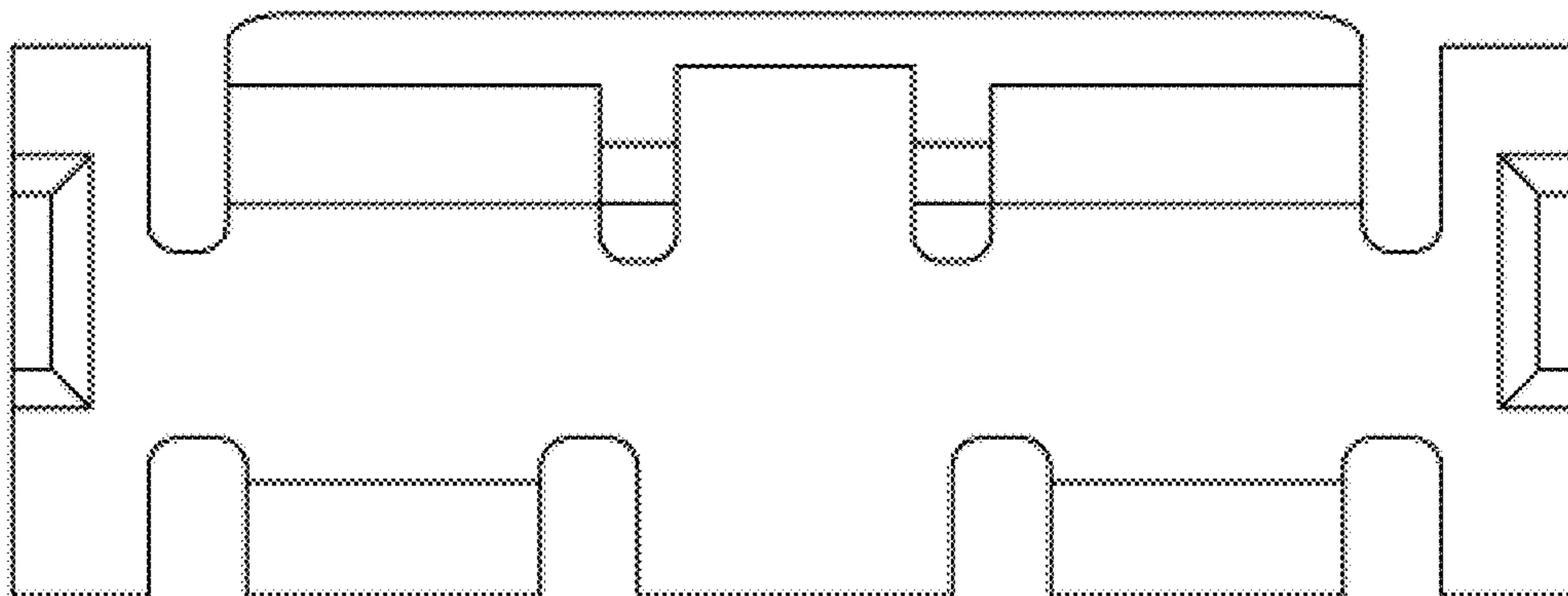


FIG. 4

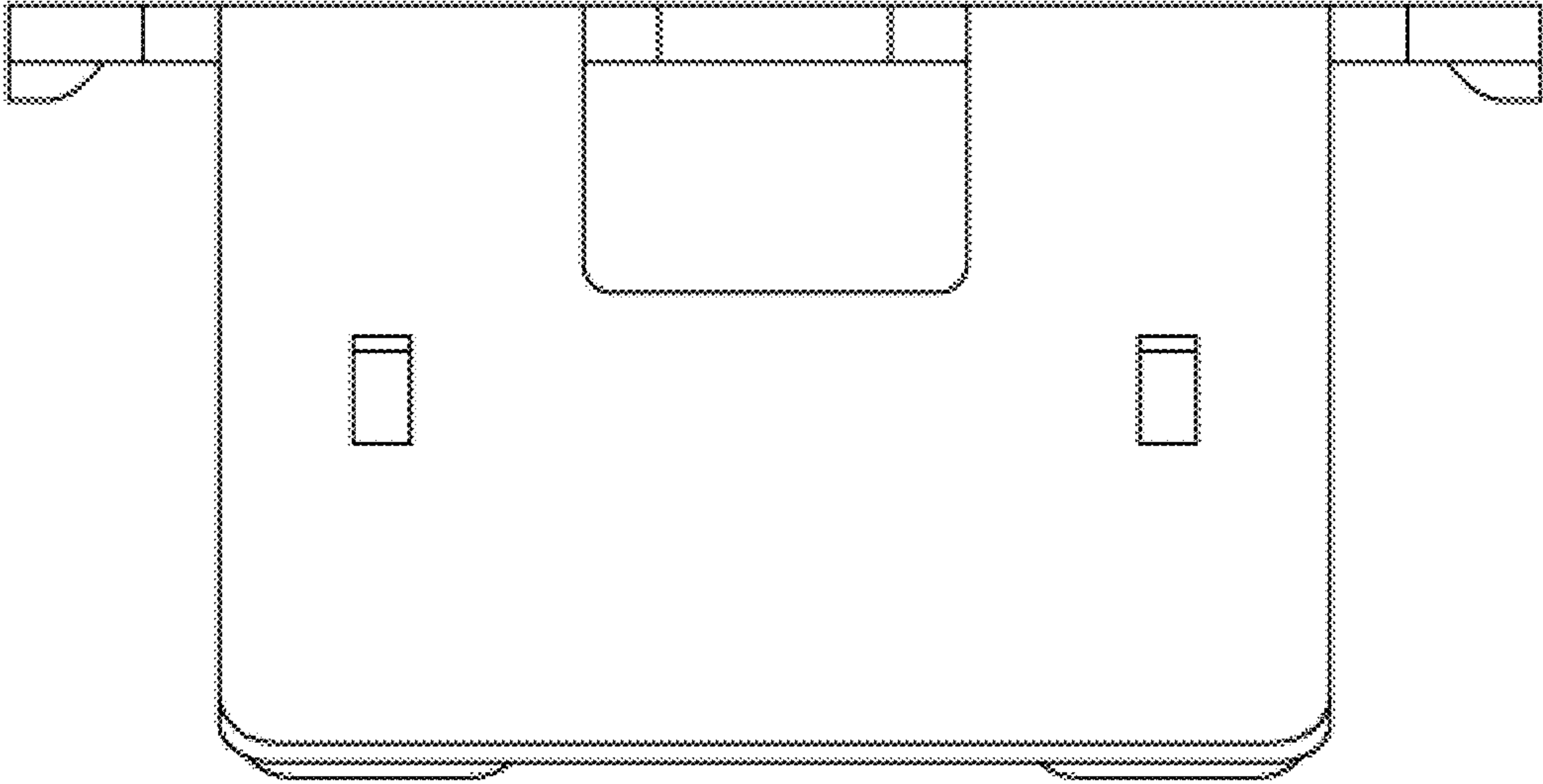


FIG. 5

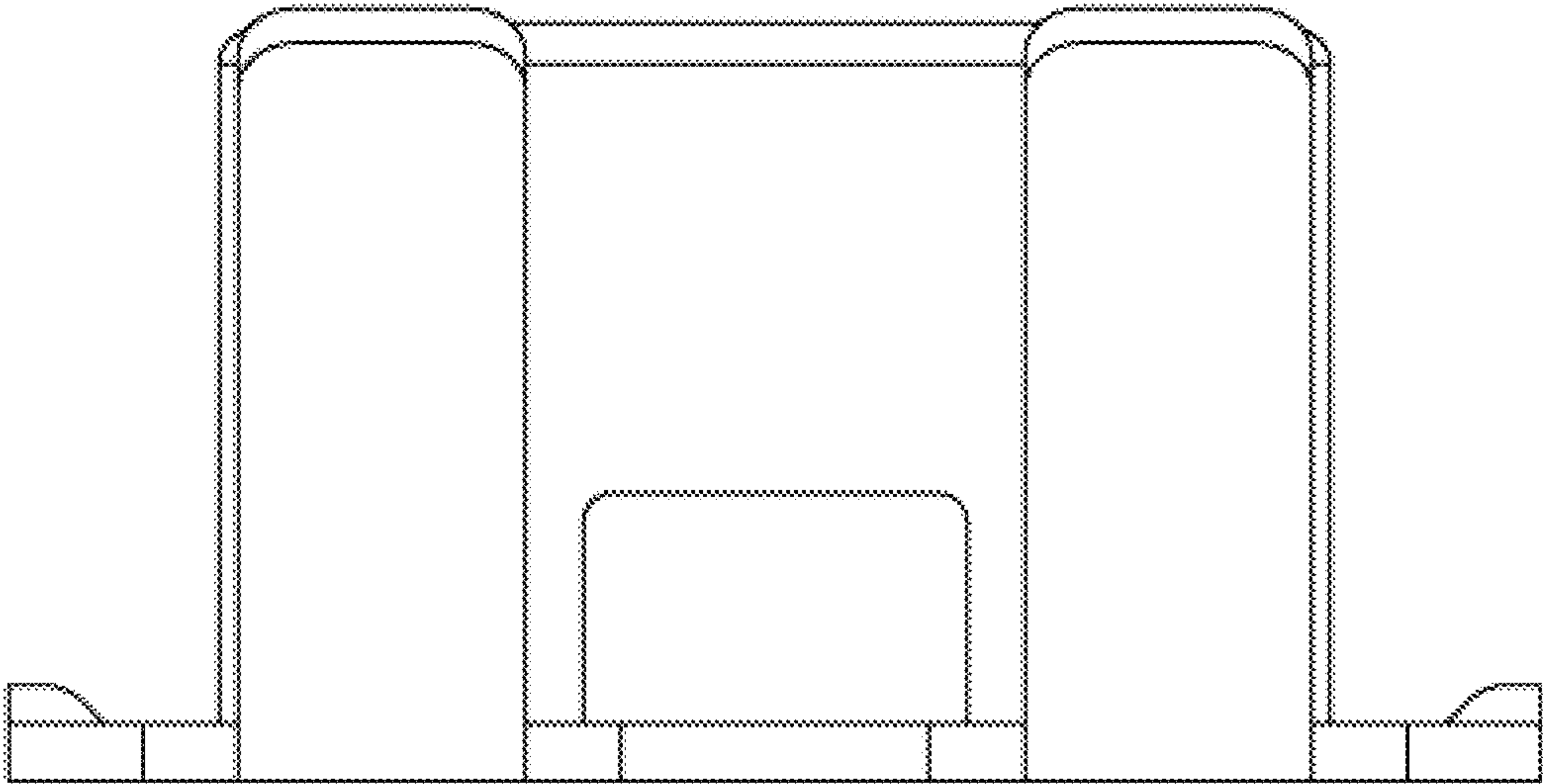


FIG. 6

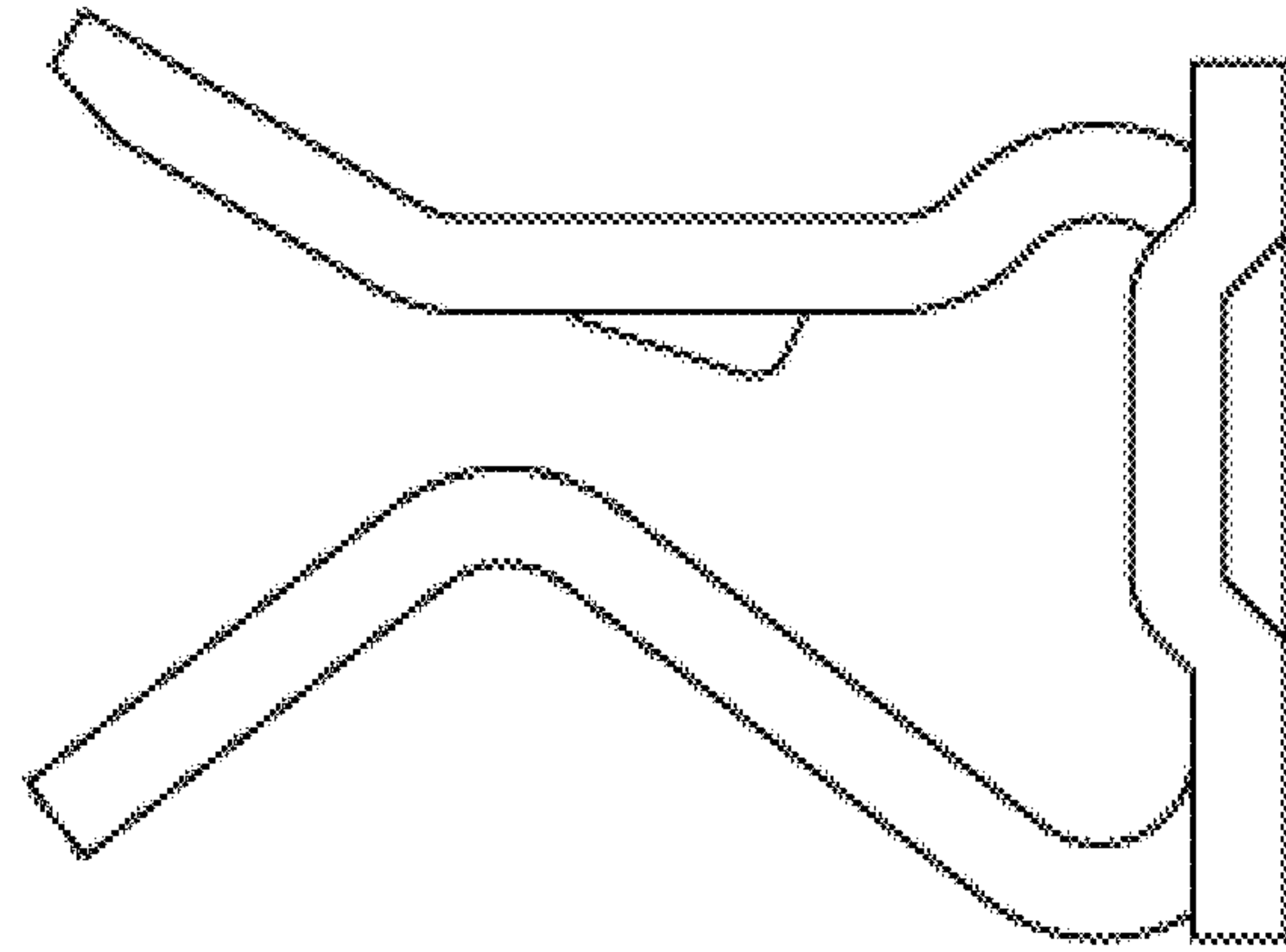


FIG.7