



US00D816474S

(12) **United States Design Patent** (10) **Patent No.:** **US D816,474 S**  
**Ochi et al.** (45) **Date of Patent:** **\*\* May 1, 2018**

(54) **CLIP FOR CIRCUIT BOARD**  
(71) Applicant: **SMK Corporation**, Tokyo (JP)  
(72) Inventors: **Yoji Ochi**, Saitama (JP); **Kiyoshi Asai**, Kanagawa (JP); **Fumio Osawa**, Tokyo (JP); **Tomoyasu Yanase**, Tokyo (JP)  
(73) Assignee: **SMK Corporation**, Tokyo (JP)  
(\*\*) Term: **15 Years**  
(21) Appl. No.: **29/599,457**  
(22) Filed: **Apr. 4, 2017**  
(30) **Foreign Application Priority Data**

5,631,619 A \* 5/1997 Evans ..... B22D 19/00  
337/166  
D543,447 S \* 5/2007 Allsopp ..... D8/394  
D553,969 S \* 10/2007 Allsopp ..... D8/394  
D576,478 S \* 9/2008 Mead ..... D8/395  
D587,100 S \* 2/2009 Allsopp ..... D8/356  
D625,580 S \* 10/2010 Giordano ..... D8/349  
D632,554 S \* 2/2011 Grzyb ..... D8/395  
D690,583 S \* 10/2013 Sendra-Gonzalez .. F24J 2/5203  
D8/394  
D732,382 S \* 6/2015 Zalanca ..... D8/394  
D762,106 S \* 7/2016 Lo ..... D8/349  
D762,456 S \* 8/2016 Lo ..... D8/349  
D762,457 S \* 8/2016 Lo ..... D8/349  
D770,268 S \* 11/2016 Lo ..... D8/395  
D787,173 S \* 5/2017 Parnell ..... D3/10  
D793,215 S \* 8/2017 Gallion ..... D8/394  
D796,305 S \* 9/2017 Brigham ..... D8/382  
2001/0043464 A1 \* 11/2001 Takahashi ..... G01P 1/00  
361/752  
2017/0099745 A1 \* 4/2017 Dang ..... H05K 7/2039

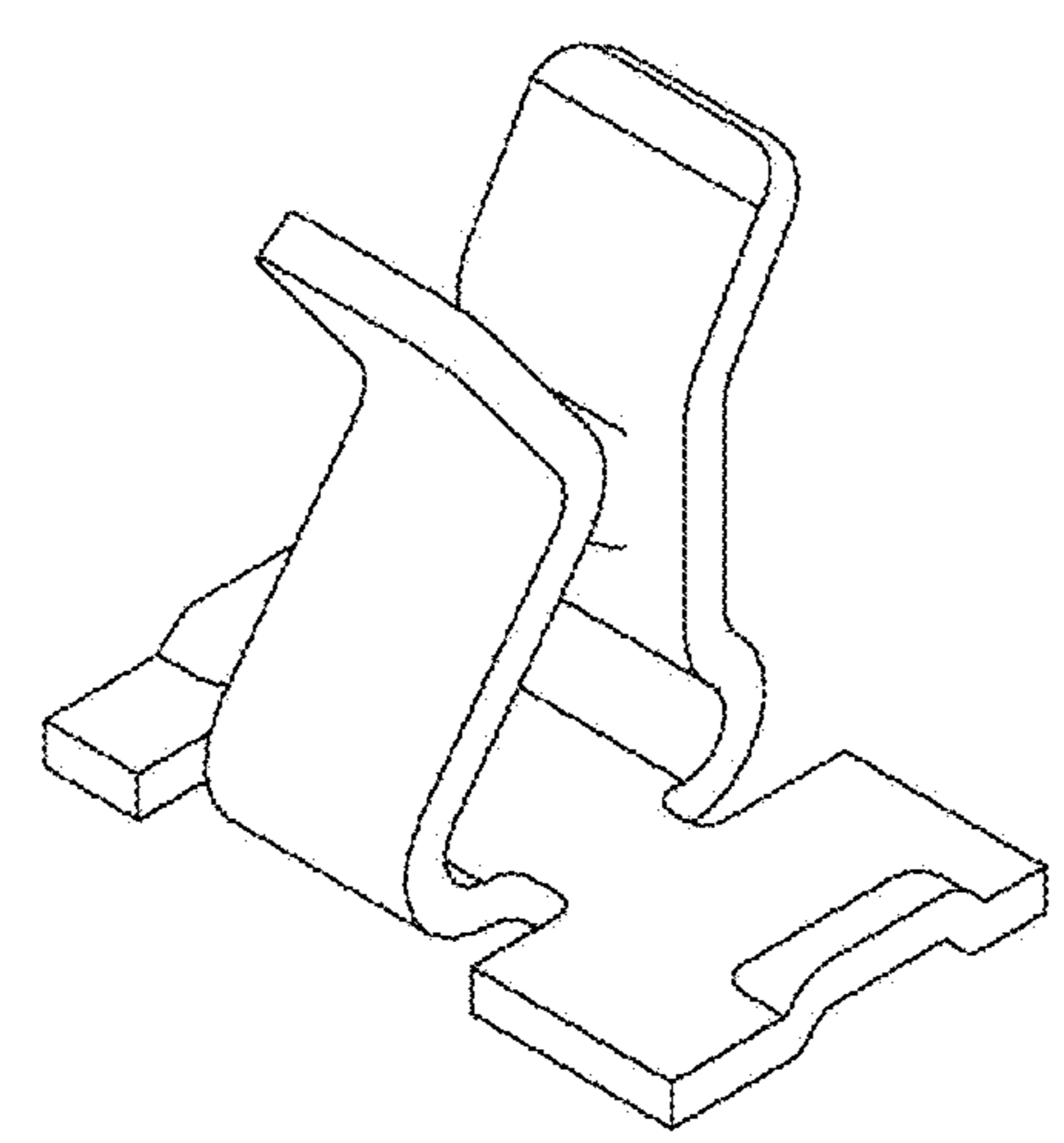
Oct. 6, 2016 (JP) ..... 2016-021775  
(51) **LOC (11) Cl.** ..... **08-08**  
(52) **U.S. Cl.**  
USPC ..... **D8/395**  
(58) **Field of Classification Search**  
USPC ..... D8/349, 382, 394, 965  
CPC .... F16B 2/02; F16B 2/20; F16B 2/241; F16B  
5/06; H05K 7/14; H05K 7/1404; H05K  
7/1405  
See application file for complete search history.

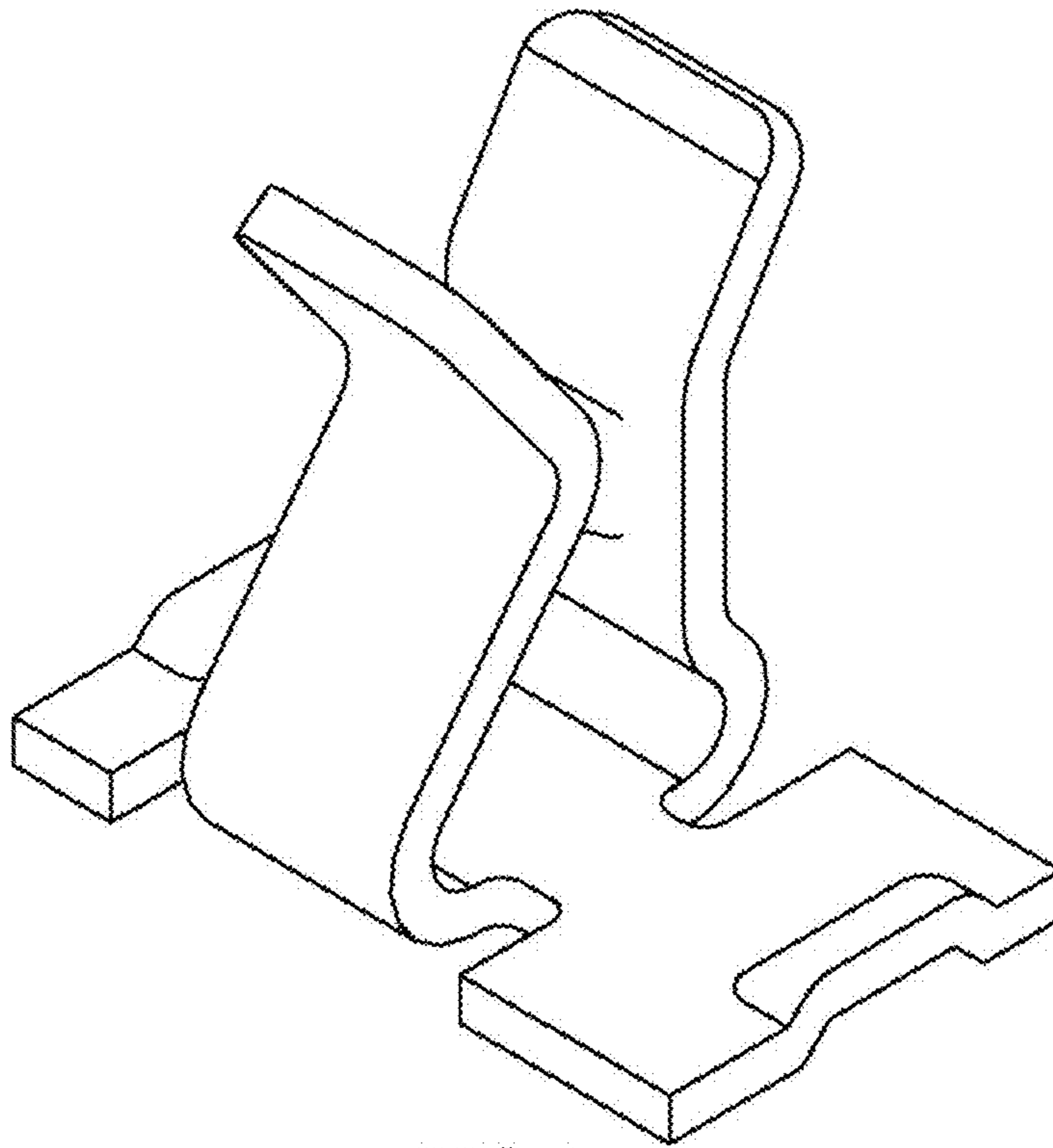
\* cited by examiner  
*Primary Examiner* — John Windmuller  
*Assistant Examiner* — Steven J Czyz

(56) **References Cited**  
U.S. PATENT DOCUMENTS  
2,943,295 A \* 6/1960 Stewart ..... H01H 85/24  
337/226  
3,287,690 A \* 11/1966 Book ..... H01H 85/202  
248/316.7  
3,815,071 A \* 6/1974 Sleeter ..... H01H 85/202  
337/215  
3,996,500 A \* 12/1976 Coules ..... H05K 7/12  
174/138 D  
4,547,036 A \* 10/1985 Keglewitsch ..... H01H 85/24  
439/680  
D291,410 S \* 8/1987 Czyborra ..... D8/394

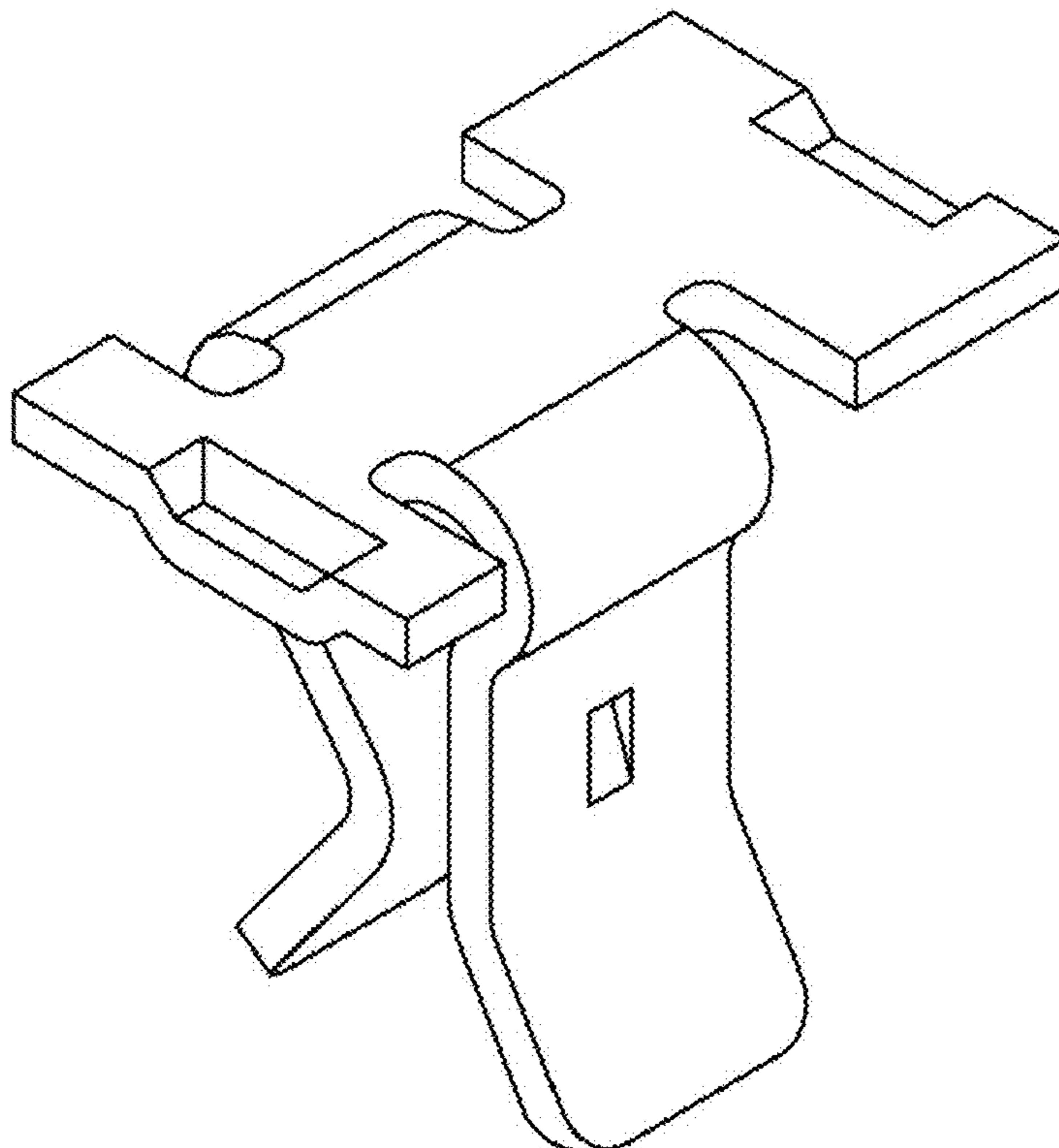
(57) **CLAIM**  
The ornamental design for a clip for circuit board, as shown and described.

**DESCRIPTION**  
FIG. 1 is a front perspective view of a clip for circuit board, showing our new design;  
FIG. 2 is a rear perspective view thereof;  
FIG. 3 is a front elevation view thereof;  
FIG. 4 is a rear elevation view thereof;  
FIG. 5 is a top plan view of the thereof;  
FIG. 6 is a bottom plan view thereof; and,  
FIG. 7 is a right side elevation view thereof.  
**1 Claim, 4 Drawing Sheets**





**FIG. 1**



**FIG. 2**

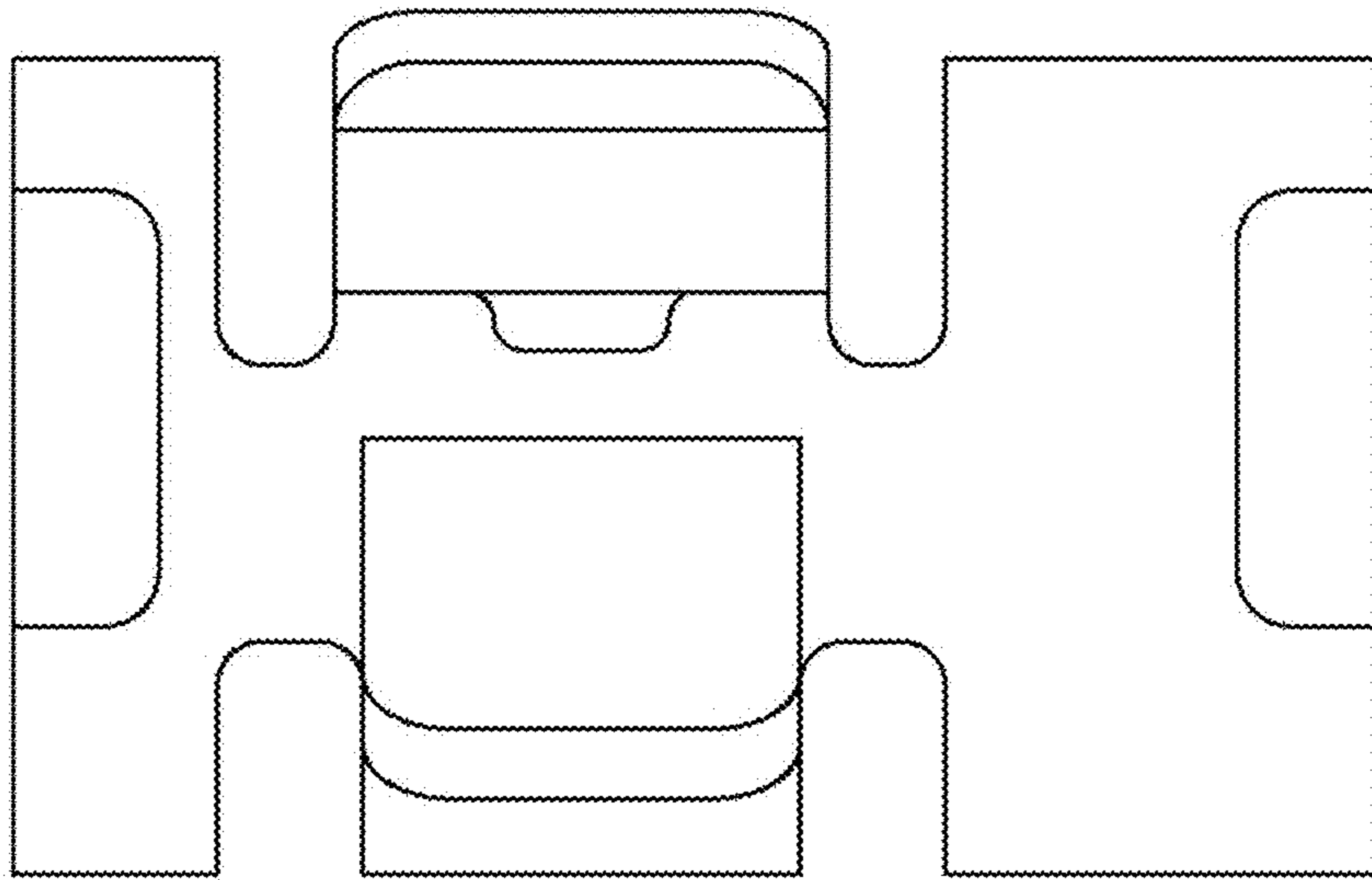


FIG.3

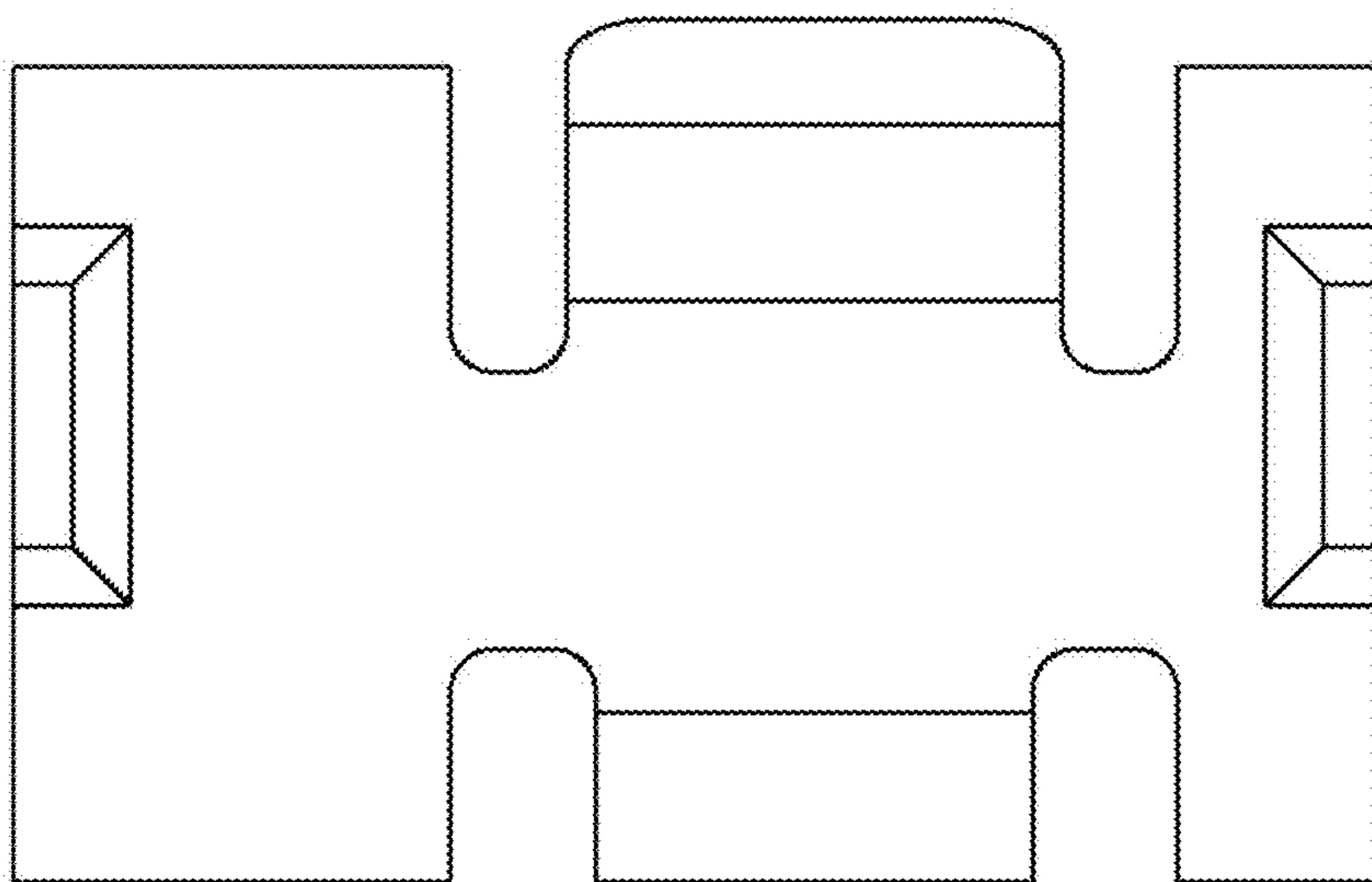


FIG.4

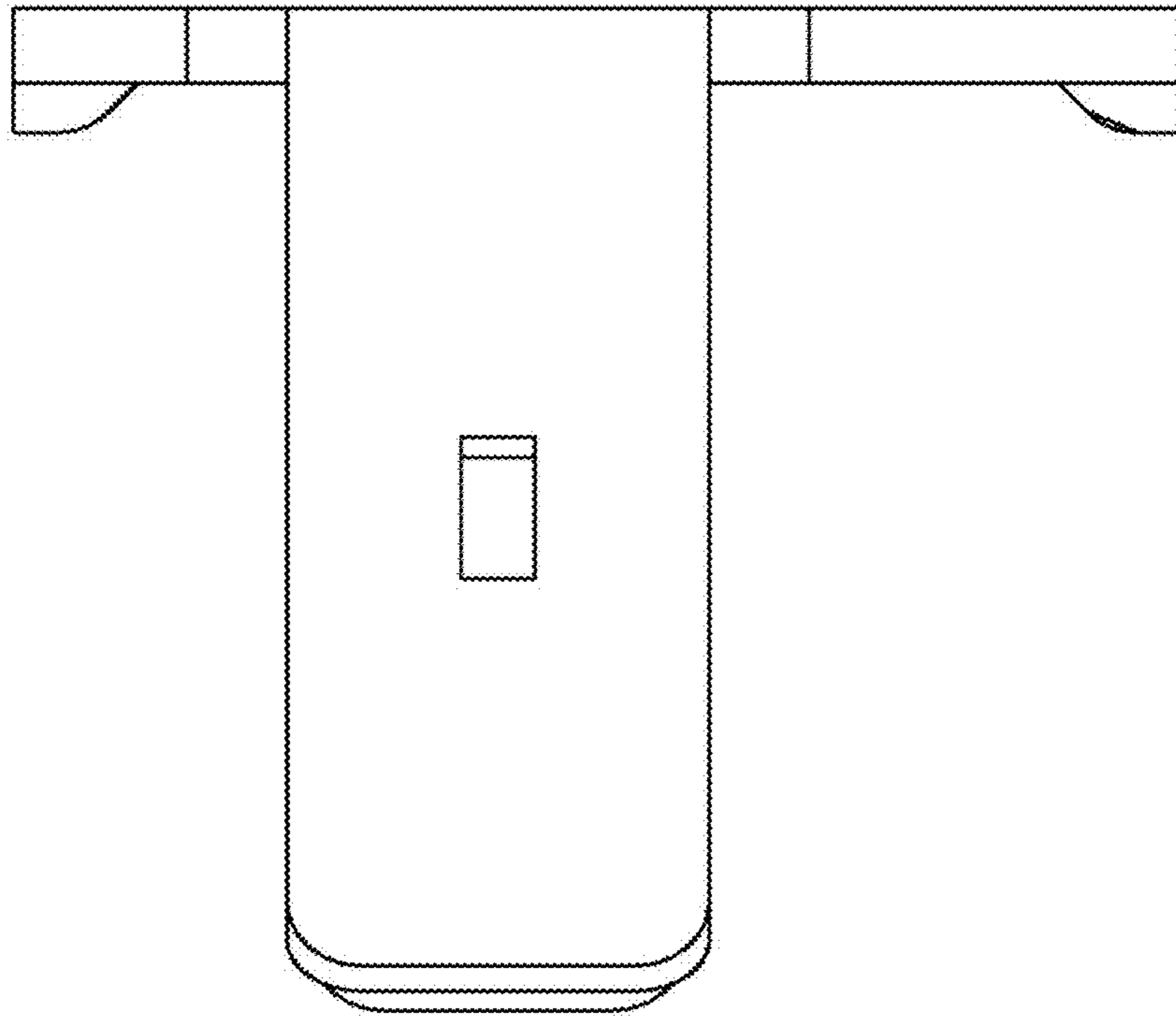


FIG. 5

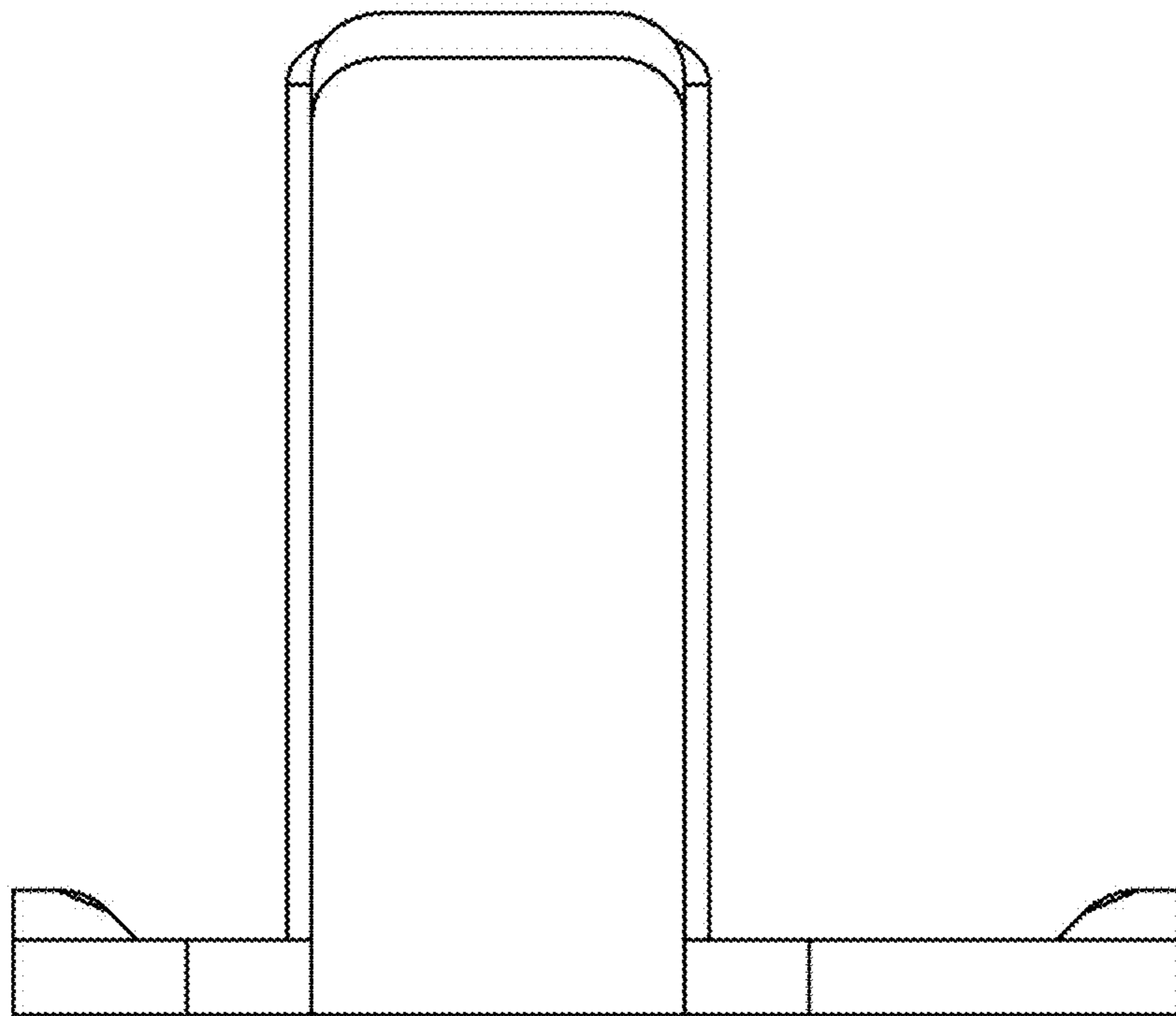


FIG. 6

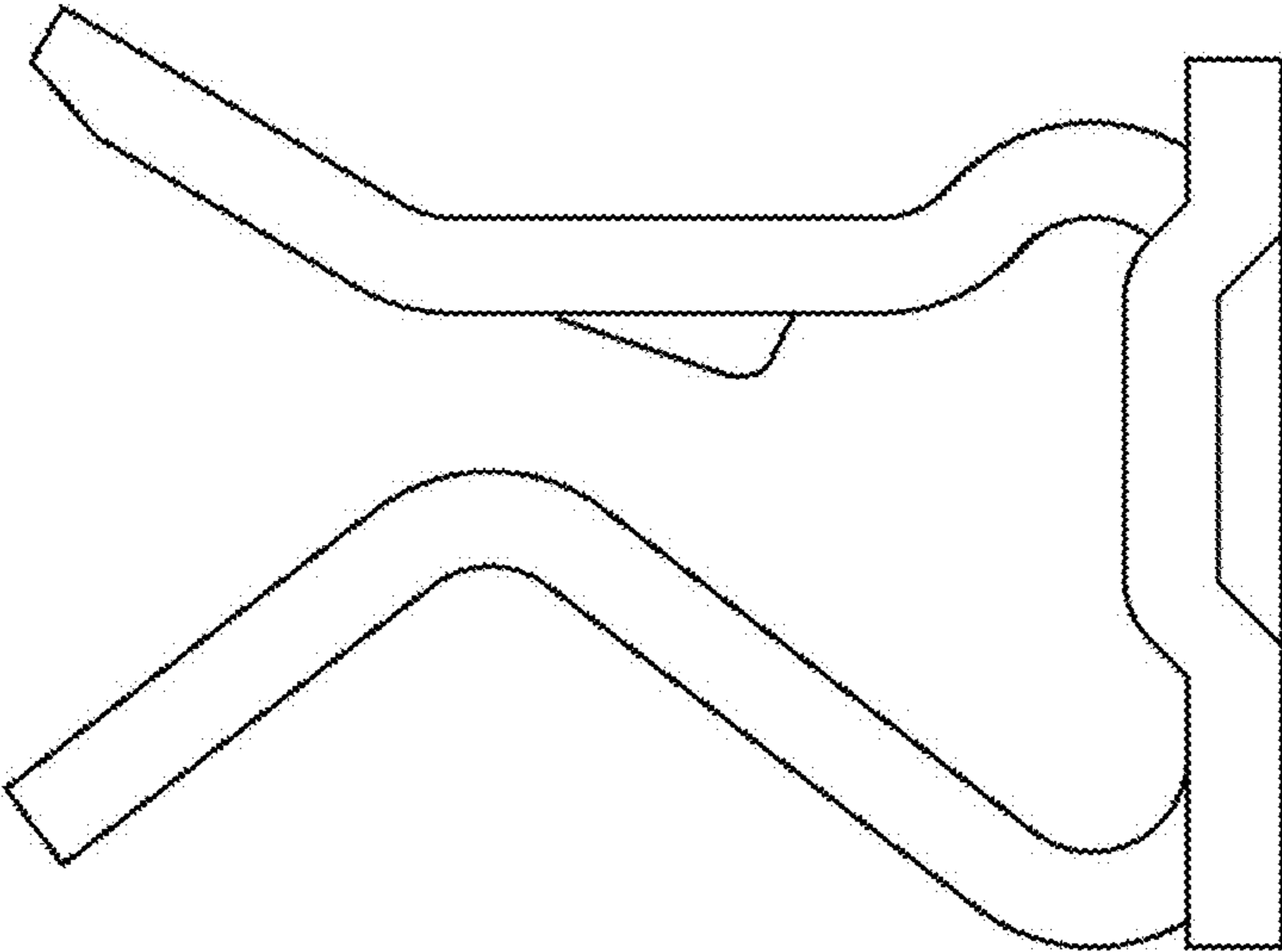


FIG.7