



US00D816472S

(12) **United States Design Patent** (10) **Patent No.:** **US D816,472 S**
Kim (45) **Date of Patent:** **** May 1, 2018**

(54) **MULTI-PURPOSE CLIP**
(71) Applicant: **Sunny Kim**, Astoria, NY (US)
(72) Inventor: **Sunny Kim**, Astoria, NY (US)
(73) Assignee: **Helen of Troy Limited**, St. Michael (BB)
(**) Term: **15 Years**
(21) Appl. No.: **29/564,691**
(22) Filed: **May 14, 2016**
(51) **LOC (11) Cl.** **08-08**
(52) **U.S. Cl.**
USPC **D8/395**
(58) **Field of Classification Search**
USPC D8/71, 72, 373, 354, 383, 394–396, 499;
D19/56, 65, 68, 196, 199, 203; 24/22,
24/20 S, 115 R, 546, 563, 910, 343, 67.9,
24/30.5 R, 67.3, 6, 340, 351, 354, 355,
24/570, 327, 334; 248/74.2, 215, 227.1,
248/49, 300, 301, 316.7, 51, 489, 231.81;
D9/435; D28/39, 40, 42, 43;
D32/60–64; D11/200, 202, 203, 206,
D11/210, 212, 215, 220
CPC ... E04F 21/18; A47C 9/00; A47C 7/66; A47C
21/022; B65G 21/20; B65G 21/2072;
B65G 7/12; A01K 97/10
See application file for complete search history.

D498,497 S * 11/2004 Lo D19/65
D511,964 S * 11/2005 Mariano D8/395
D520,353 S * 5/2006 Mariano D8/395
D550,550 S * 9/2007 Lee D8/395
D693,211 S * 11/2013 Brown D8/395

OTHER PUBLICATIONS

Amazon “uxcell 10 x Paper Ticket File Stainless Steel Springy Binder Clips Silver Tone”, www.Amazon.com. Jun. 21, 2013. shown in p. 1, Item # a12080600ux1087.*
Alibaba “plastic clip” https://www.alibaba.com/product-detail/hot-selling-stationery-plastic-binder-clips_60330148839.html. 2006. shown in p. 1, Item # 6011-6014.*
Office depot “Sparco Boston Bulldog Clips, Size 4, 3" Wide, 1" Capacity, Silver, Box of 12” www.officedepot.com. Jan. 19, 2017. shown in p. 1, Item # 757610.*

* cited by examiner

Primary Examiner — Cynthia Ramirez
Assistant Examiner — Michael A Maharajh

(57) **CLAIM**

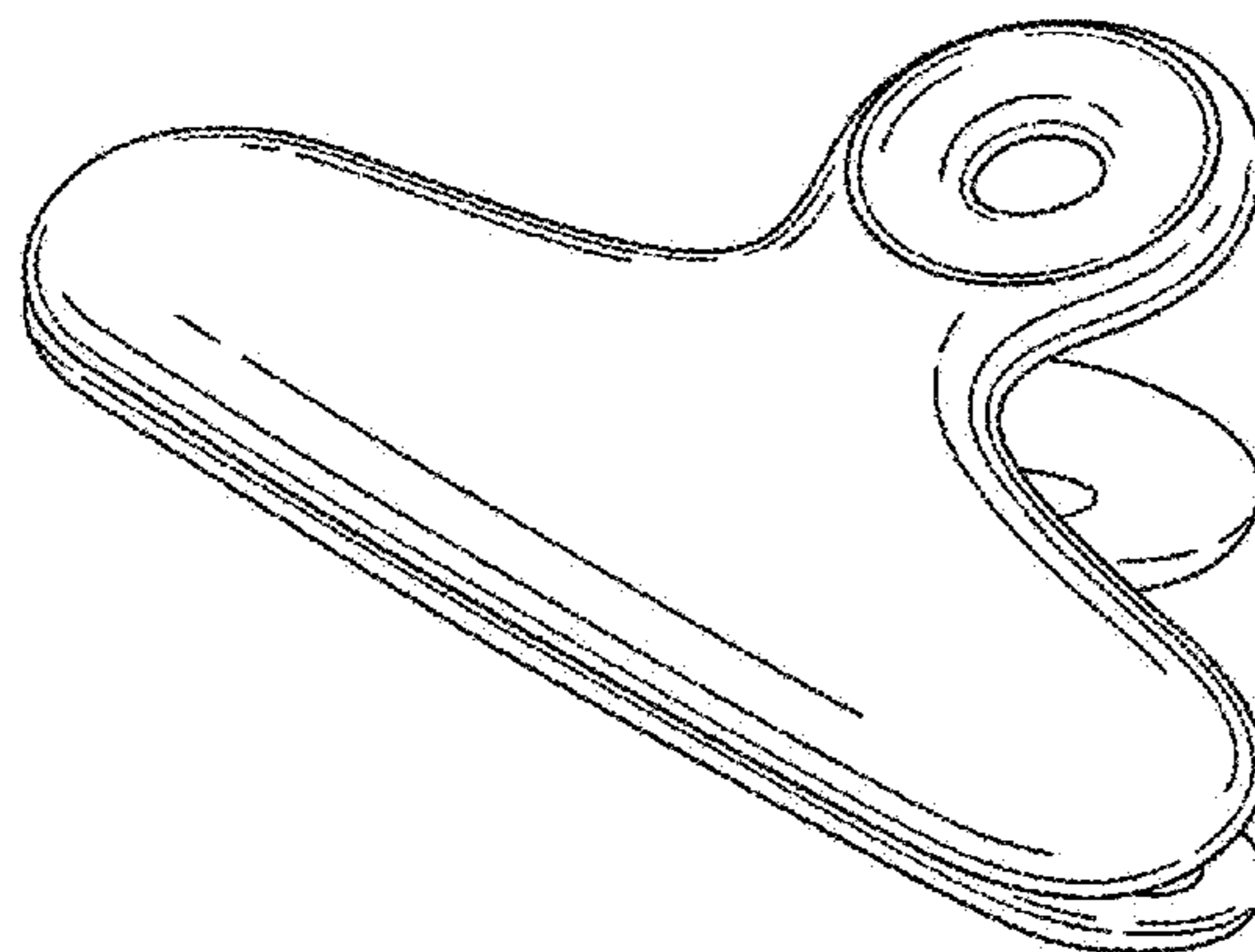
The ornamental design for a multi-purpose clip, as shown, and described.

DESCRIPTION

FIG. 1 is a perspective view of a multi-purpose clip, showing my new design;
FIG. 2 is a top plan view thereof;
FIG. 3 is a bottom plan view thereof;
FIG. 4 is a left side elevational view thereof;
FIG. 5 is a right side elevational view thereof;
FIG. 6 is a front elevational view thereof; and,
FIG. 7 is a rear elevational view thereof.
The broken lines shown in the figures are for the purpose of illustrating portions of the multi-purpose clip and form no part of the claimed design.

1 Claim, 7 Drawing Sheets

(56) **References Cited**
U.S. PATENT DOCUMENTS
5,802,677 A * 9/1998 Dorman B65D 33/1675
24/30.5 R
D420,912 S * 2/2000 Vaught D9/435
D468,356 S * 1/2003 Snell D19/65



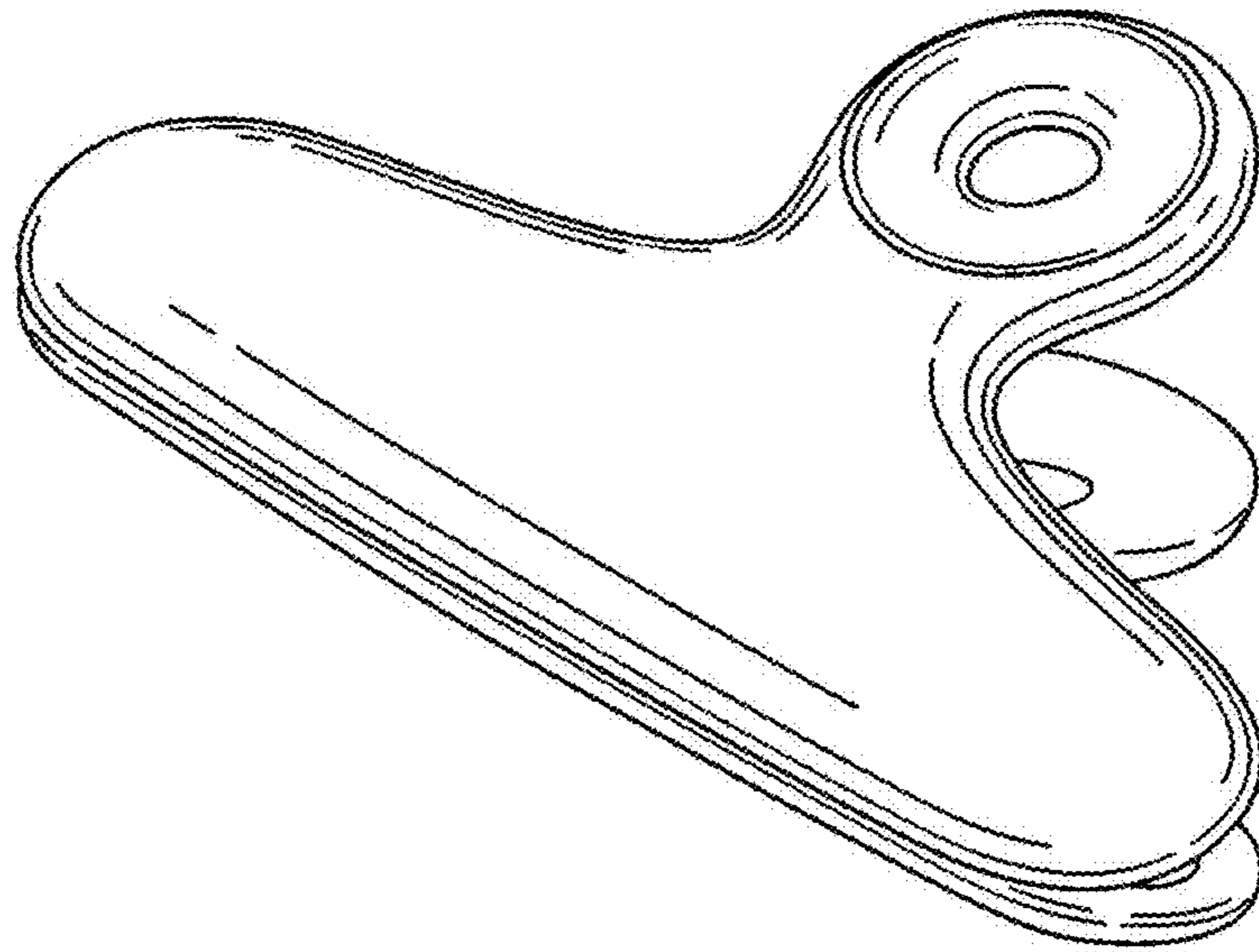


FIG. 1

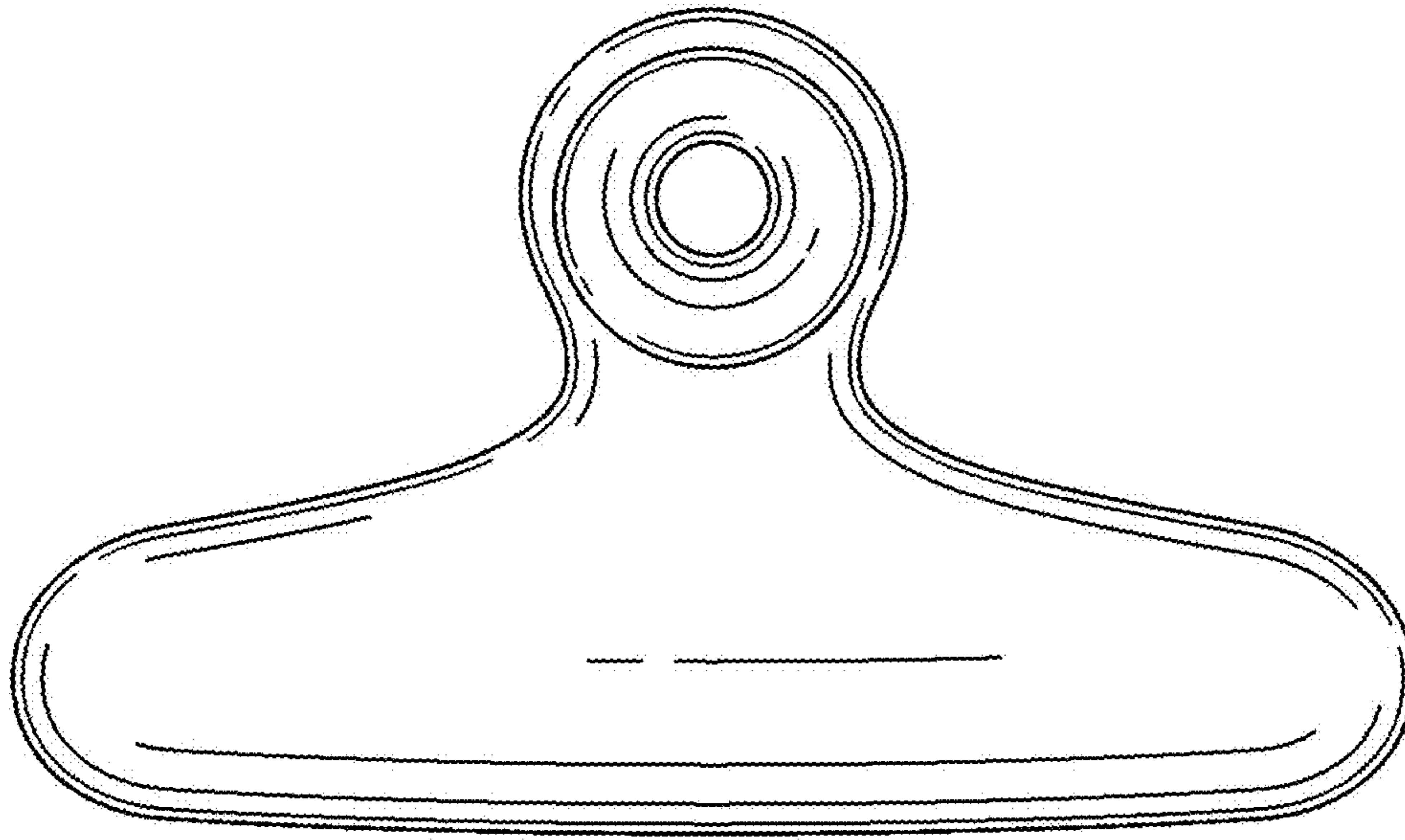


FIG. 2

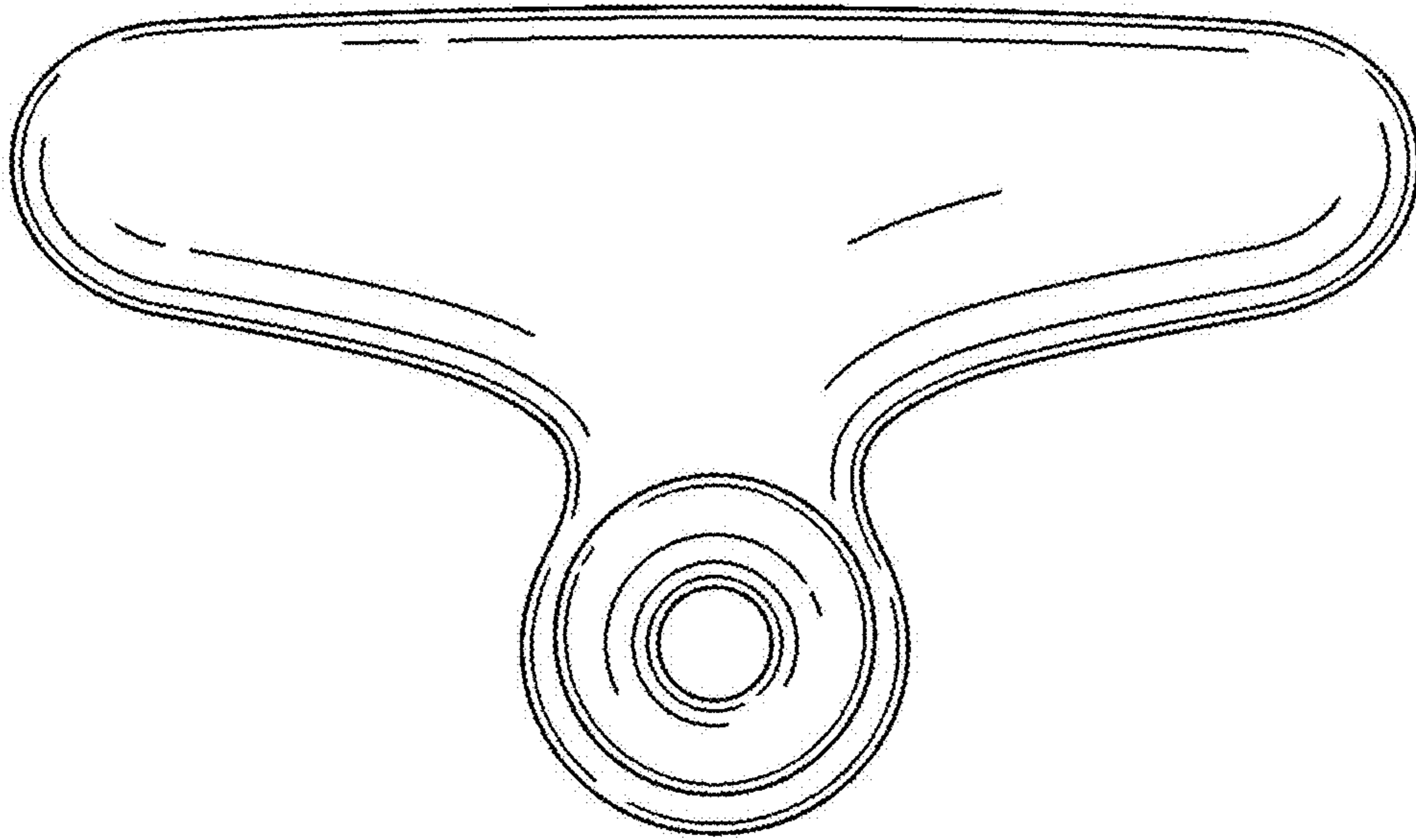


FIG. 3

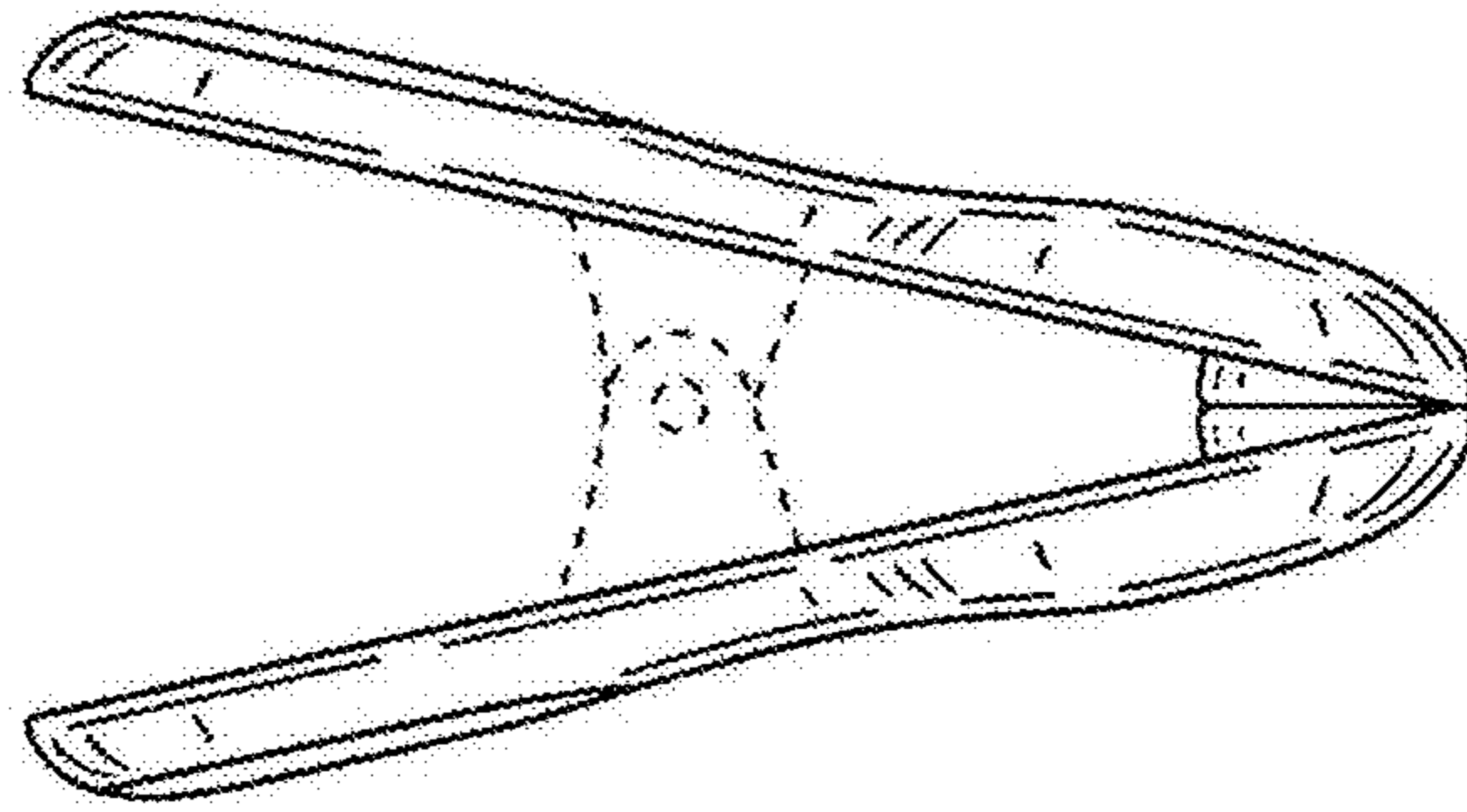


FIG. 4

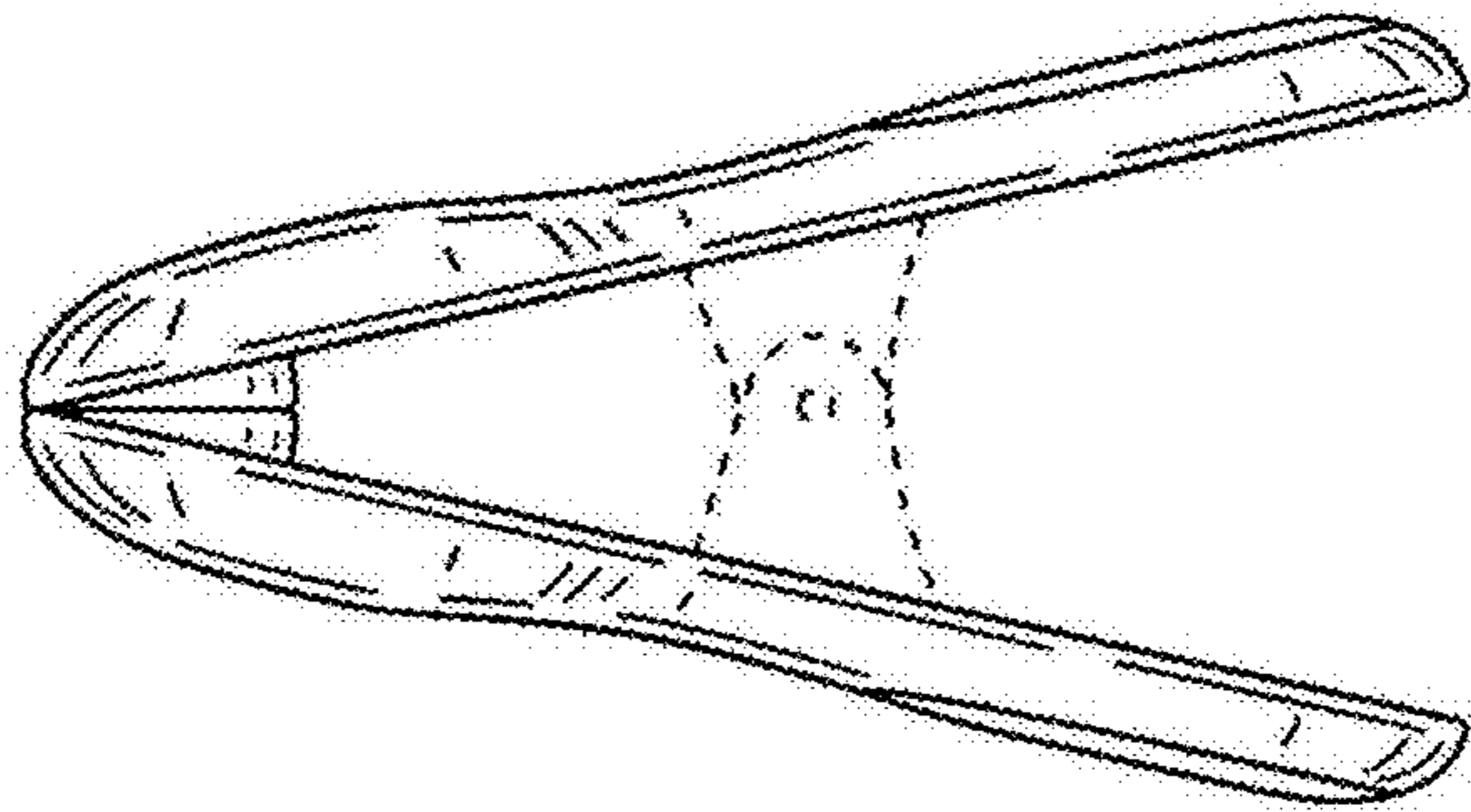


FIG. 5

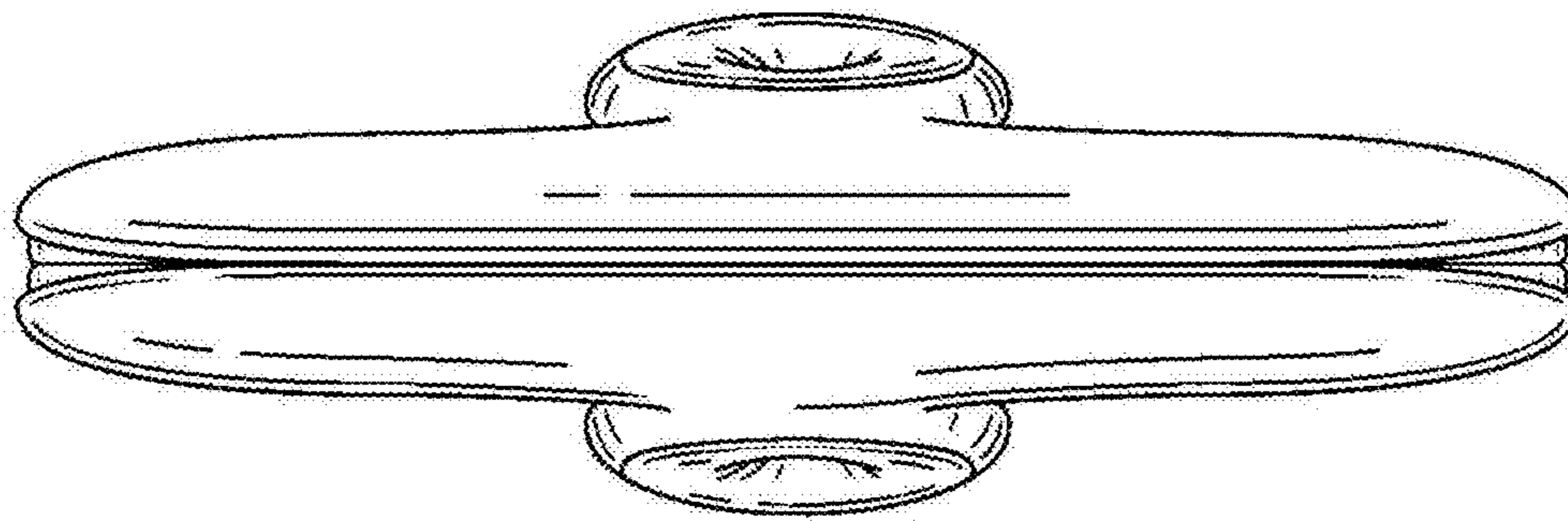


FIG. 6

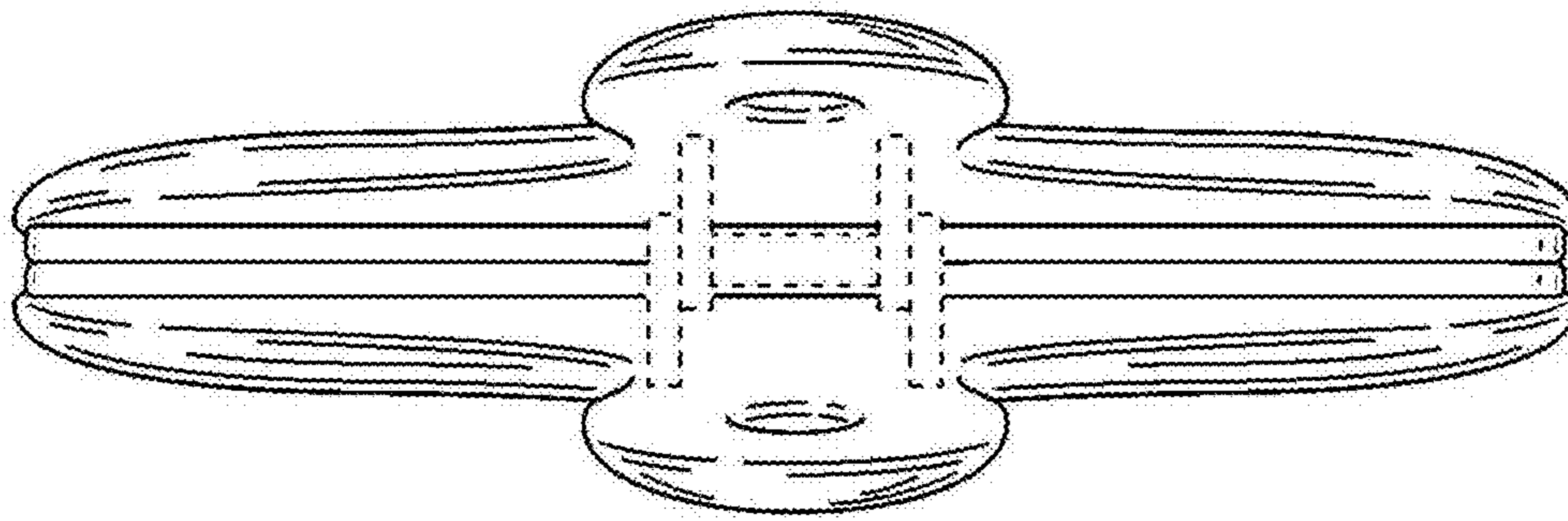


FIG. 7