



US00D816471S

(12) **United States Design Patent** (10) **Patent No.:** **US D816,471 S**  
**Gallion et al.** (45) **Date of Patent:** **\*\* May 1, 2018**

(54) **BLIND HOLE MOUNT POST**  
(71) Applicant: **HellermannTyton Corporation**,  
Milwaukee, WI (US)  
(72) Inventors: **Justin Gallion**, Milwaukee, WI (US);  
**Jonathan Zick**, Waukesha, WI (US)  
(73) Assignee: **HELLERMANN TYTON**  
**CORPORATION**, Milwaukee, WI  
(US)  
(\*\*) Term: **15 Years**  
(21) Appl. No.: **29/608,053**  
(22) Filed: **Jun. 19, 2017**

**Related U.S. Application Data**

(63) Continuation of application No. 29/537,348, filed on  
Aug. 25, 2015, now Pat. No. Des. 793,215.  
(51) **LOC (11) Cl.** ..... **08-08**  
(52) **U.S. Cl.**  
USPC ..... **D8/394**  
(58) **Field of Classification Search**  
USPC ..... D8/350, 354, 355, 356, 359, 366, 367,  
D8/373, 374, 394, 349; D11/200, 201,  
D11/206, 221; D13/152, 154, 155;  
D17/99  
CPC ..... F16B 1/00; H02G 3/32  
See application file for complete search history.

(56) **References Cited**  
U.S. PATENT DOCUMENTS  
D483,795 S \* 12/2003 Morgan ..... D17/99  
D665,245 S \* 8/2012 Nakazato ..... D8/382  
D736,063 S \* 8/2015 White ..... D8/354  
D736,595 S \* 8/2015 Moore ..... D8/349  
D740,367 S \* 10/2015 White ..... D8/354  
D744,319 S \* 12/2015 White ..... D8/354  
D756,202 S \* 5/2016 Leduc ..... D8/354  
D770,886 S \* 11/2016 Whitaker ..... D8/394  
D774,880 S \* 12/2016 Wirth ..... D8/394  
2017/0059060 A1 \* 3/2017 Gallion ..... H02G 3/32  
\* cited by examiner

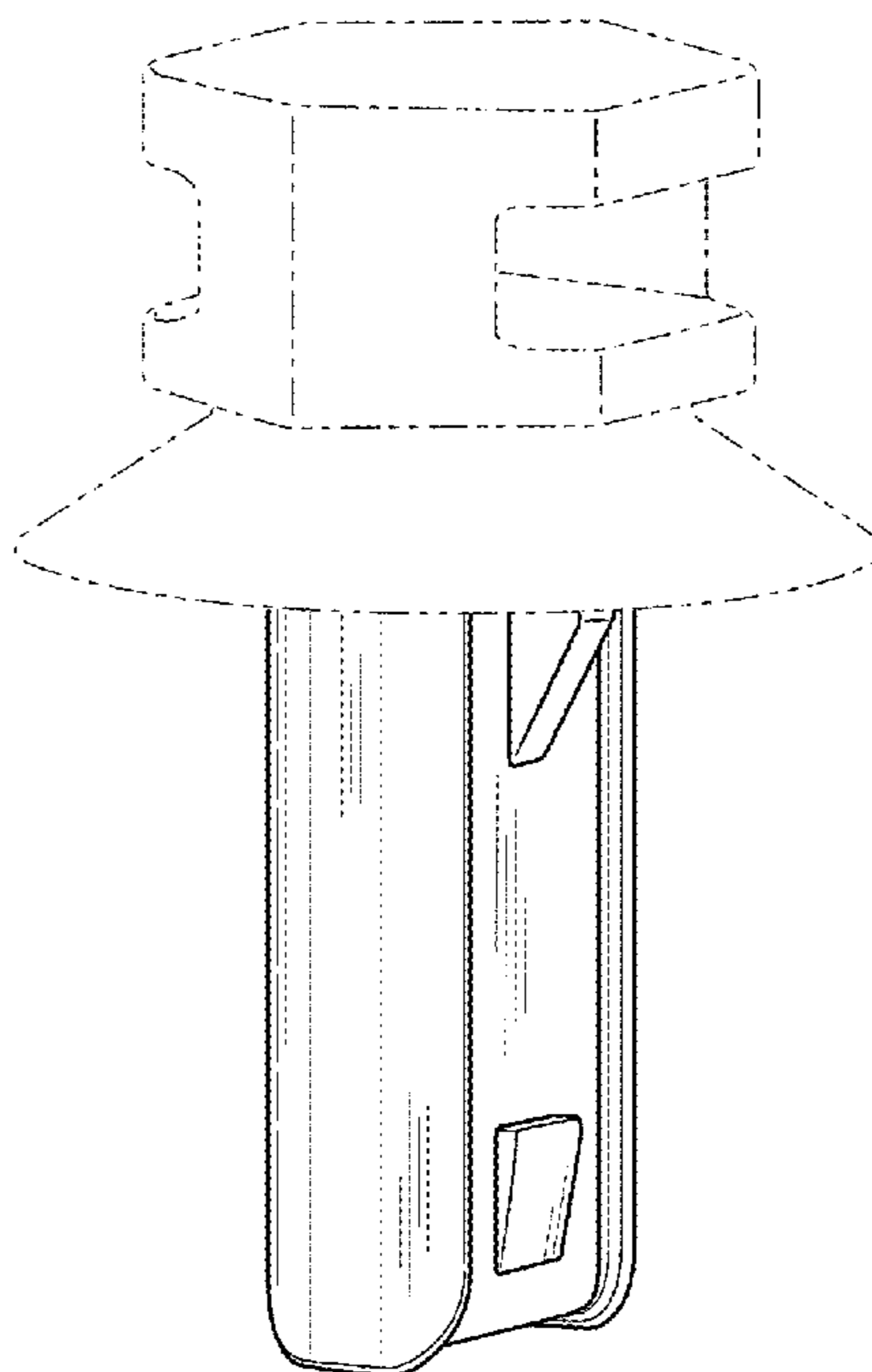
*Primary Examiner* — Cynthia Ramirez  
*Assistant Examiner* — Michael A Maharajh  
(74) *Attorney, Agent, or Firm* — Robert J. Myers

(57) **CLAIM**  
The ornamental design for a blind hole mount post, as shown  
and described.

**DESCRIPTION**

FIG. 1 is a perspective view of a blind hole mount post,  
showing our new design;  
FIG. 2 is a right side elevation view thereof, the left side  
elevation view of the blind hole mount post being identical;  
FIG. 3 is a front elevation view thereof, the rear elevation  
view of the blind hole mount post being identical;  
FIG. 4 is a top plan view thereof; and,  
FIG. 5 is a bottom plan view thereof.  
The broken lines are for the purpose of illustrating the  
environment of the article only and form no part of the  
claimed design.

**1 Claim, 2 Drawing Sheets**



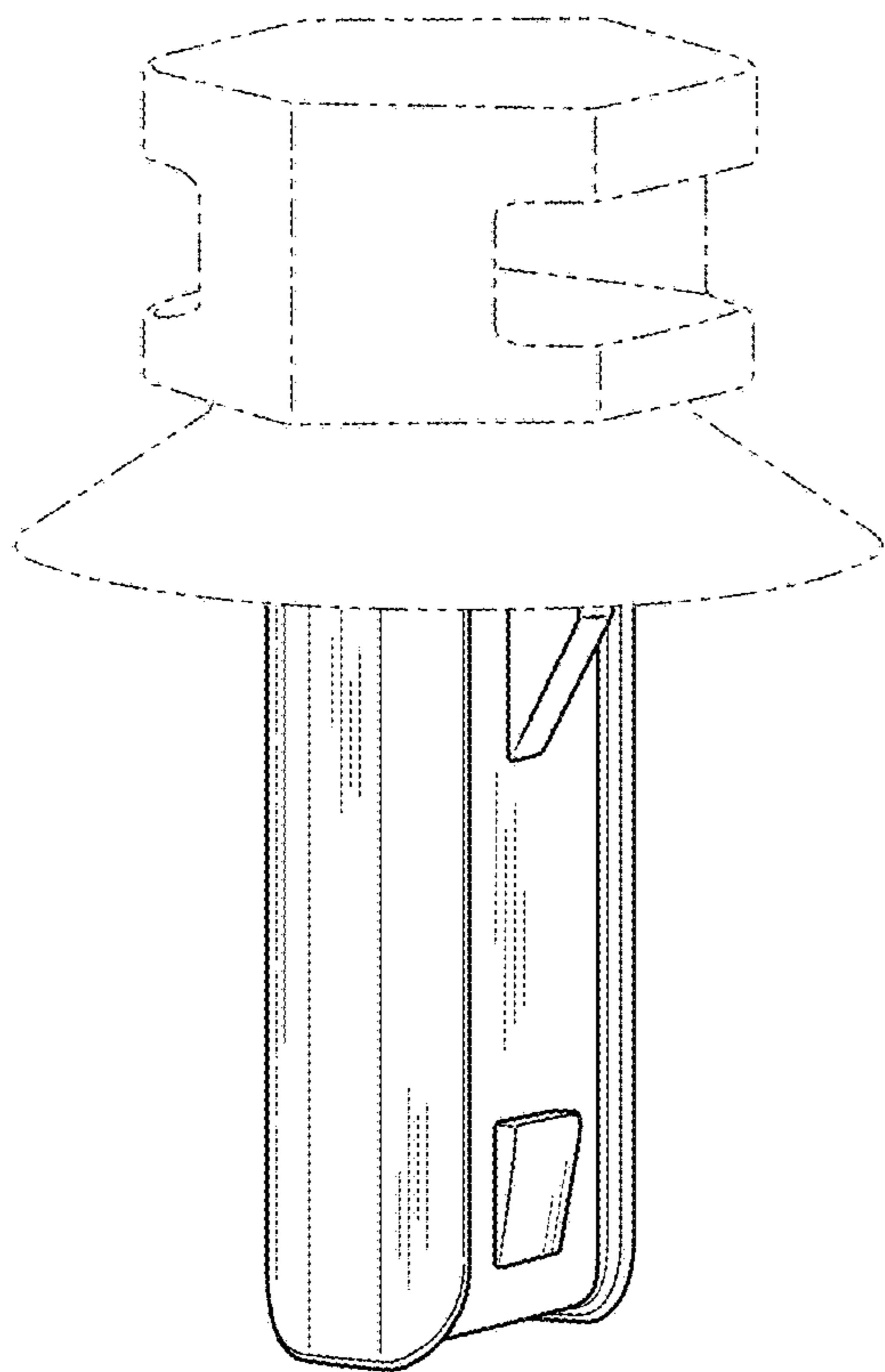


Fig. 1

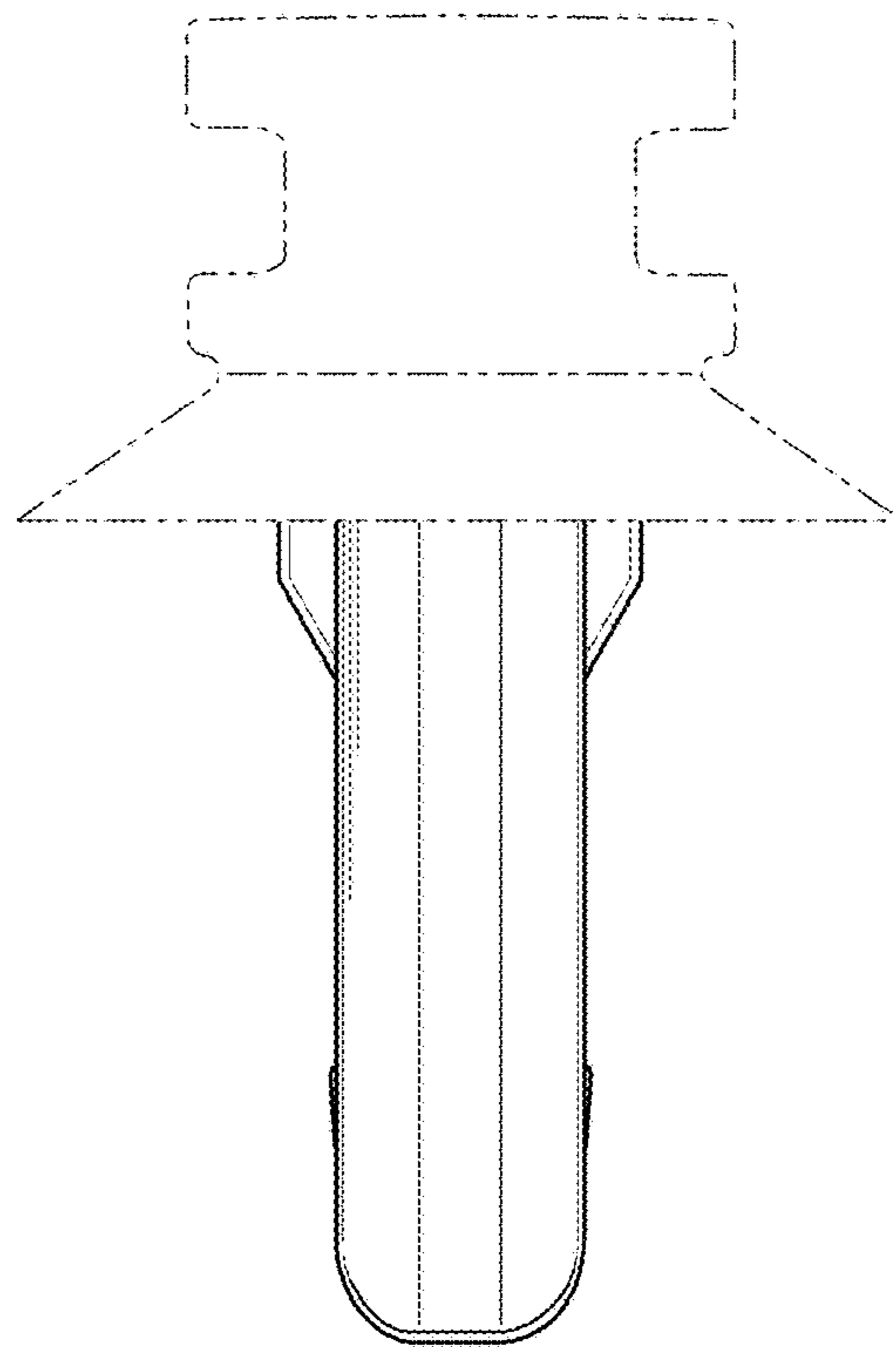


Fig. 2

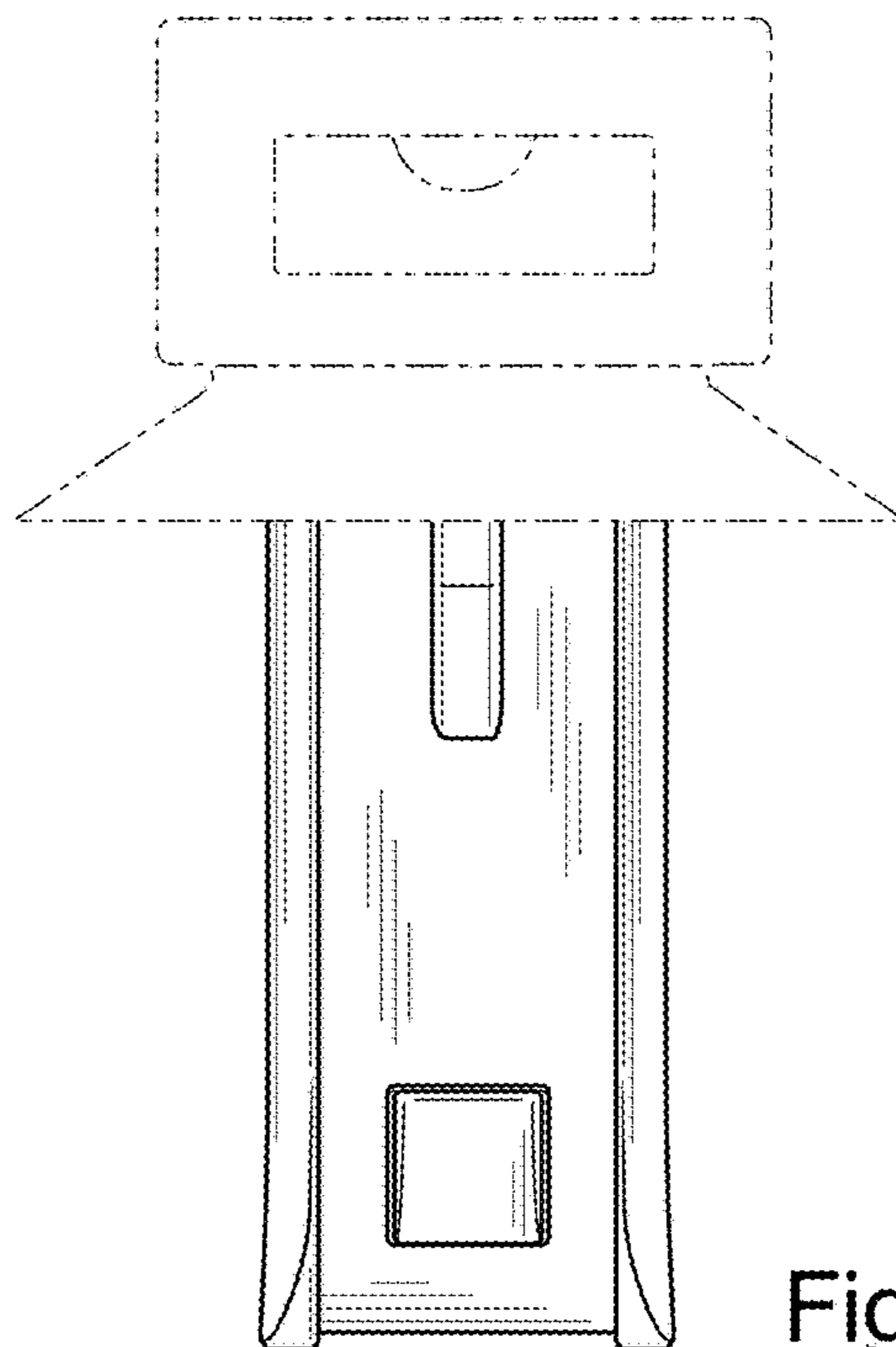


Fig. 3

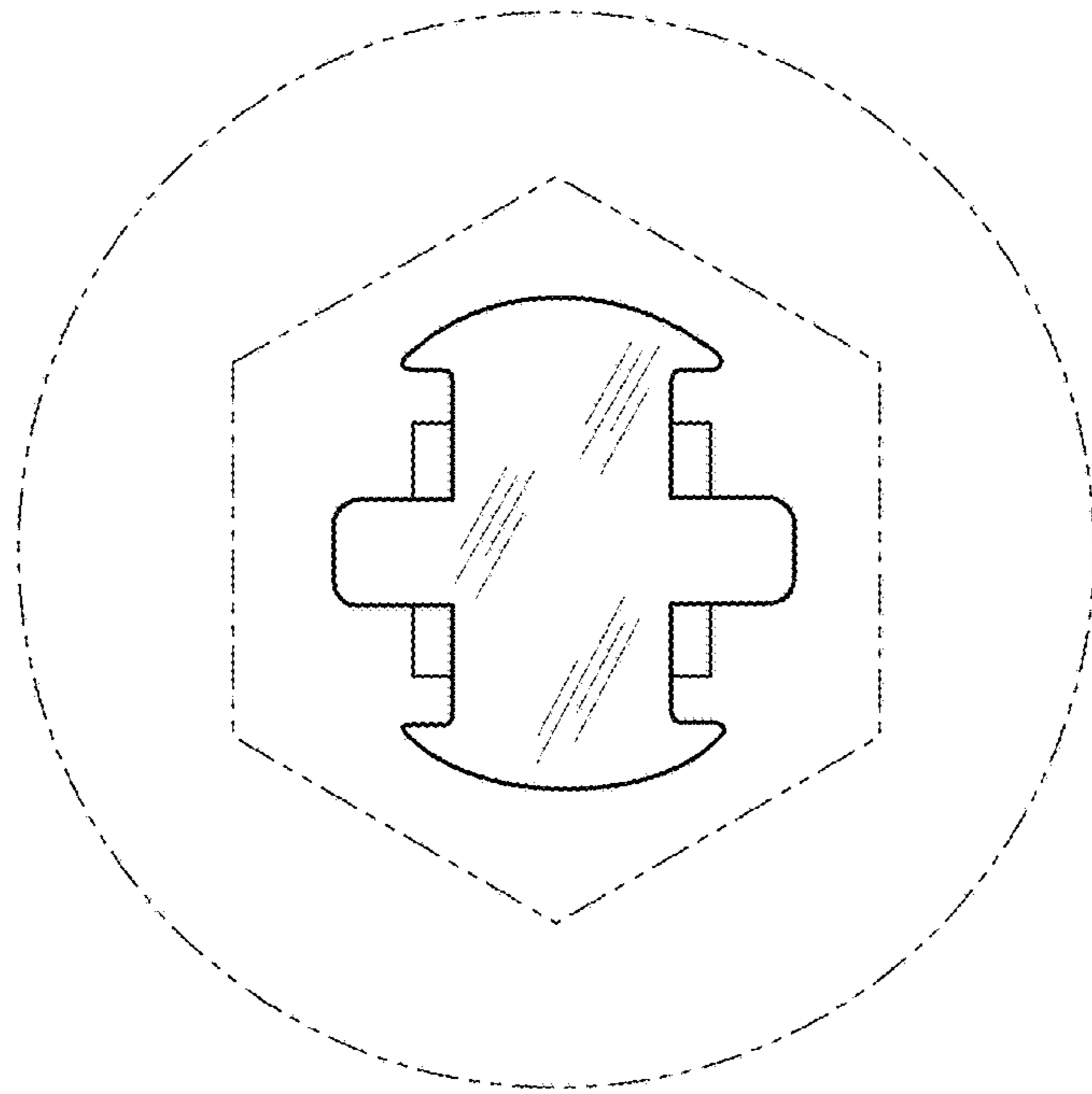


Fig. 4

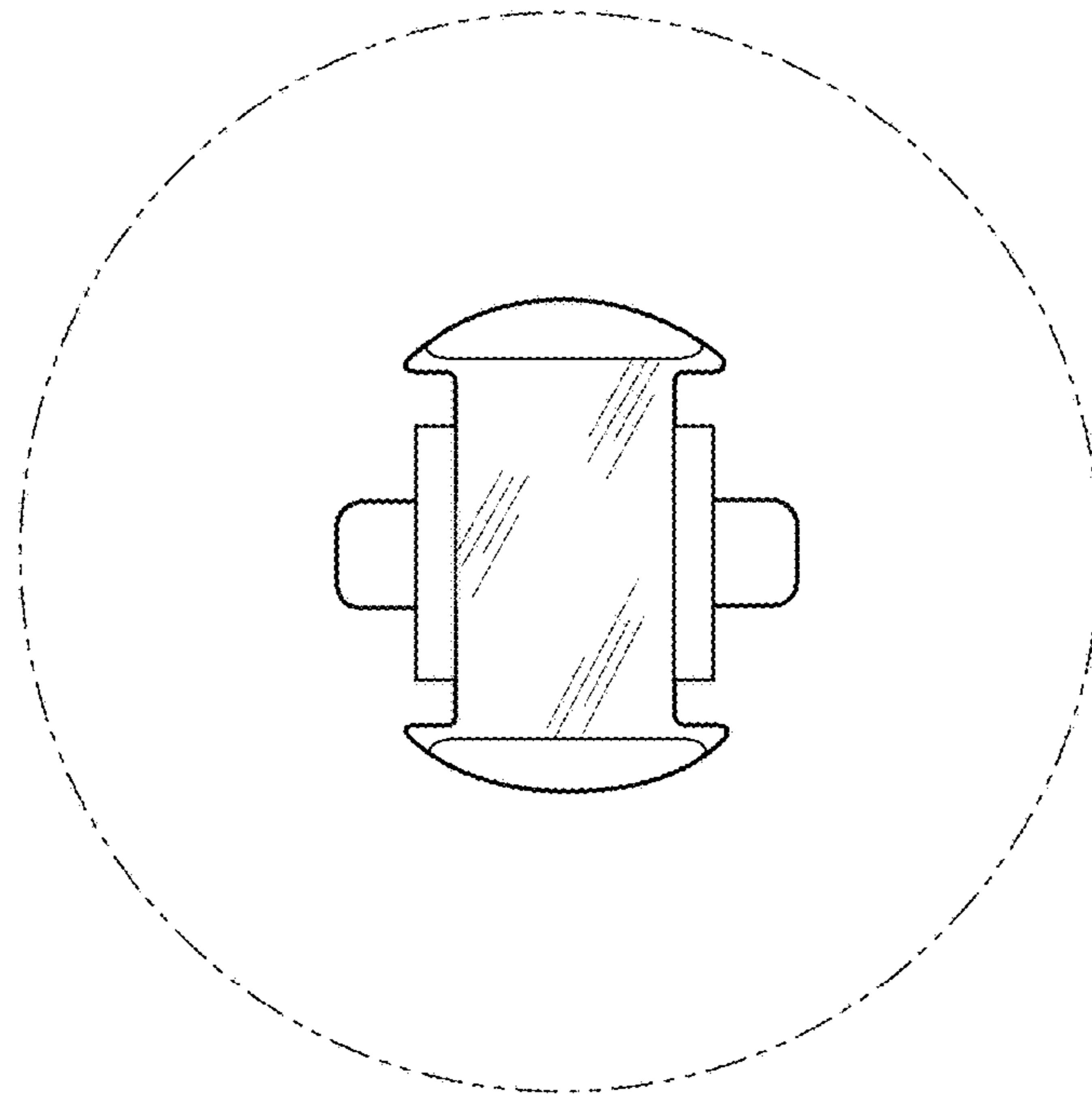


Fig. 5