



US00D816468S

(12) **United States Design Patent**
Quintile

(10) **Patent No.:** **US D816,468 S**

(45) **Date of Patent:** **** May 1, 2018**

- (54) **BED LEG AND GLIDE**
- (71) Applicant: **Mark John Quintile**, Brunswick, OH (US)
- (72) Inventor: **Mark John Quintile**, Brunswick, OH (US)
- (**) Term: **15 Years**
- (21) Appl. No.: **29/552,051**
- (22) Filed: **Jan. 20, 2016**
- (51) **LOC (11) Cl.** **08-05**
- (52) **U.S. Cl.**
USPC **D8/374**
- (58) **Field of Classification Search**
USPC D8/374, 380, 400, 402; D6/709.21; 248/345, 345.1
CPC . A47C 19/005; A47C 19/021; A47C 19/0024; A47C 19/0025; A47C 19/04
See application file for complete search history.

D498,412 S *	11/2004	Pehta	D8/374
6,941,596 B2 *	9/2005	Schuman	A47C 19/024
			5/200.1
7,134,154 B2 *	11/2006	Cloer	A47C 19/024
			5/200.1
D557,598 S *	12/2007	Hoelting	D8/402
D589,783 S *	4/2009	Eul	D8/374
7,526,825 B2 *	5/2009	Lasky	A47C 19/005
			248/345.1
7,690,058 B1 *	4/2010	Dwyer	A47C 19/005
			5/200.1
D706,121 S *	6/2014	Norton	D8/380
D711,674 S *	8/2014	Malouf	D6/709
8,914,921 B2 *	12/2014	Rothschild	A47C 19/005
			5/282.1
D739,094 S *	9/2015	Ovesen	D32/3
2012/0297538 A1 *	11/2012	Rothschild	A47C 19/005
			5/282.1

* cited by examiner

Primary Examiner — Rosemary K Tarcza

Assistant Examiner — Yolanda Robinson

(57) **CLAIM**

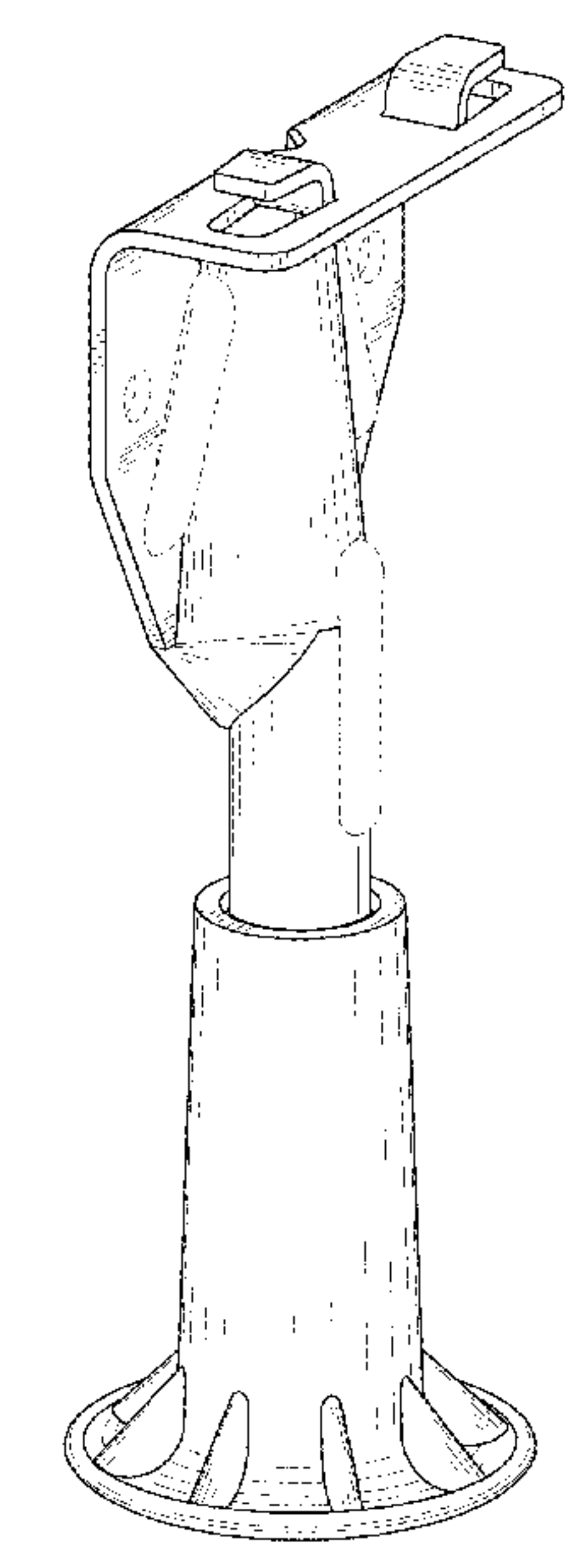
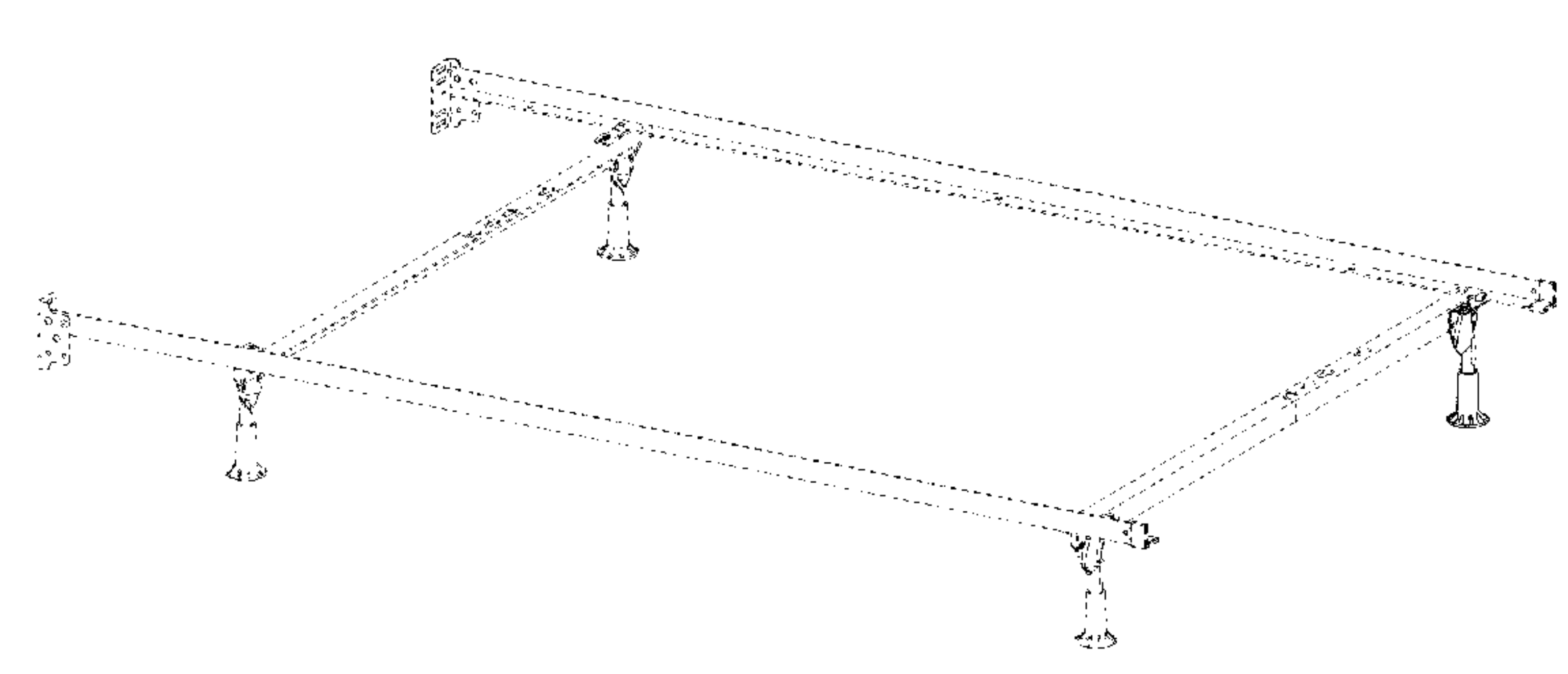
The ornamental design for a bed leg and glide, as shown and described.

DESCRIPTION

FIG. 1 is a perspective view of a bed leg and glide, showing our new design;
 FIG. 2 is a front perspective view thereof;
 FIG. 3 is a rear perspective view thereof;
 FIG. 4 is a left side view thereof;
 FIG. 5 is a front side view thereof;
 FIG. 6 is a rear side view thereof;
 FIG. 7 is a top plan view thereof; and,
 FIG. 8 is a bottom plan view thereof.
 The broken lines shown represent unclaimed portions of the bed leg and glide, and form no part of the claimed design.

1 Claim, 5 Drawing Sheets

- (56) **References Cited**
- U.S. PATENT DOCUMENTS
- 3,497,881 A * 3/1970 Price A47C 19/021
- 5/238
- 5,243,720 A * 9/1993 Harrow A47C 19/005
- 5/201
- 5,477,571 A * 12/1995 Roggenkamp A47C 19/024
- 5/188
- 5,996,145 A * 12/1999 Taylor A47C 19/005
- 5/184
- D418,699 S * 1/2000 Burns D6/709.21
- 6,397,412 B1 * 6/2002 Quintile A47C 19/024
- 5/200.1
- 6,397,413 B2 * 6/2002 Epstein A47C 19/025
- 5/201
- 6,711,765 B1 * 3/2004 Mitchell, III A47C 19/04
- 403/203



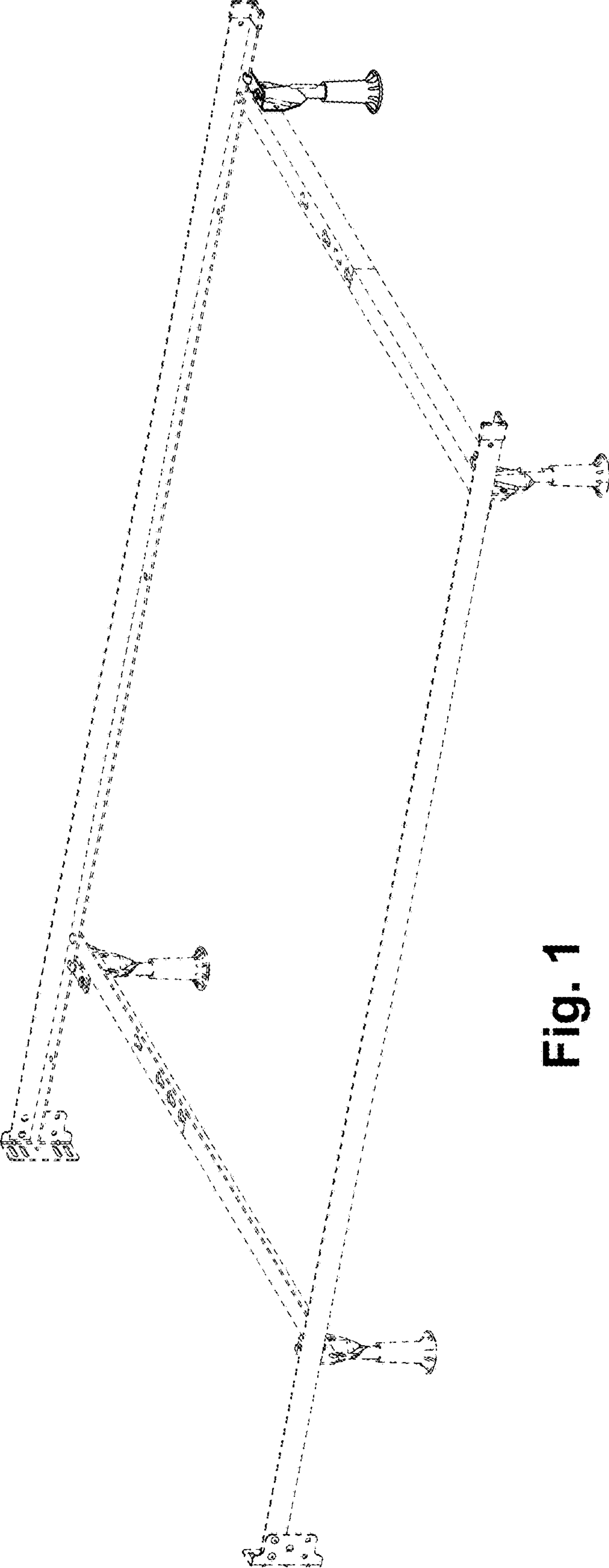


Fig. 1

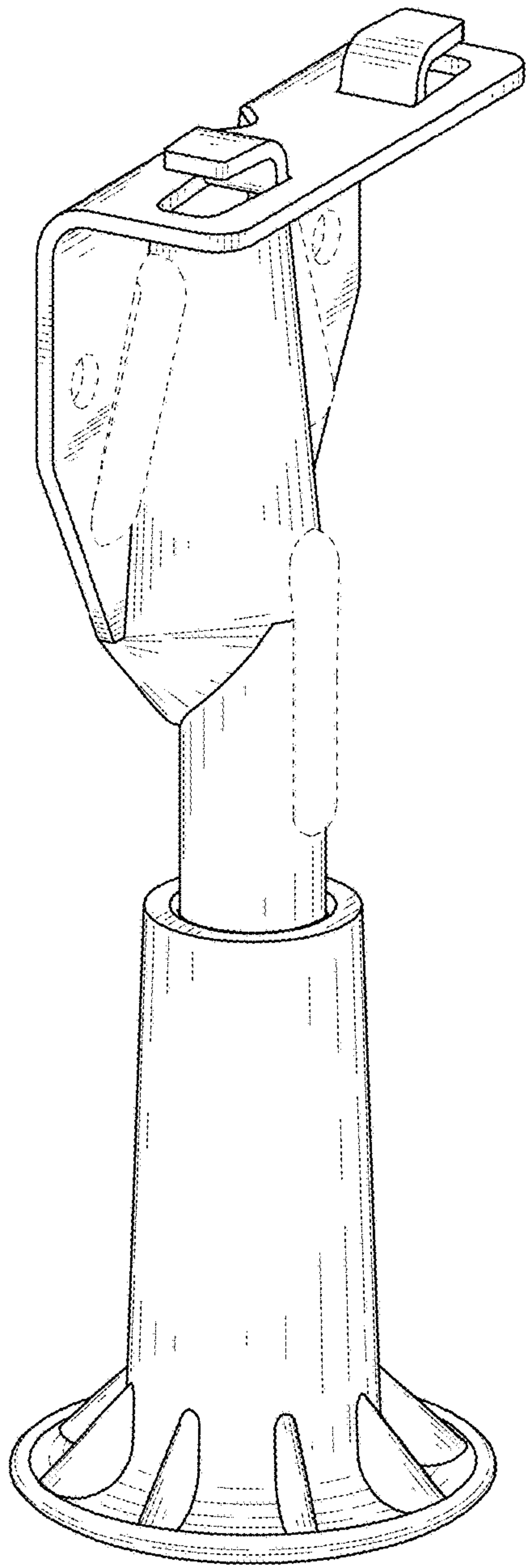


Fig. 2

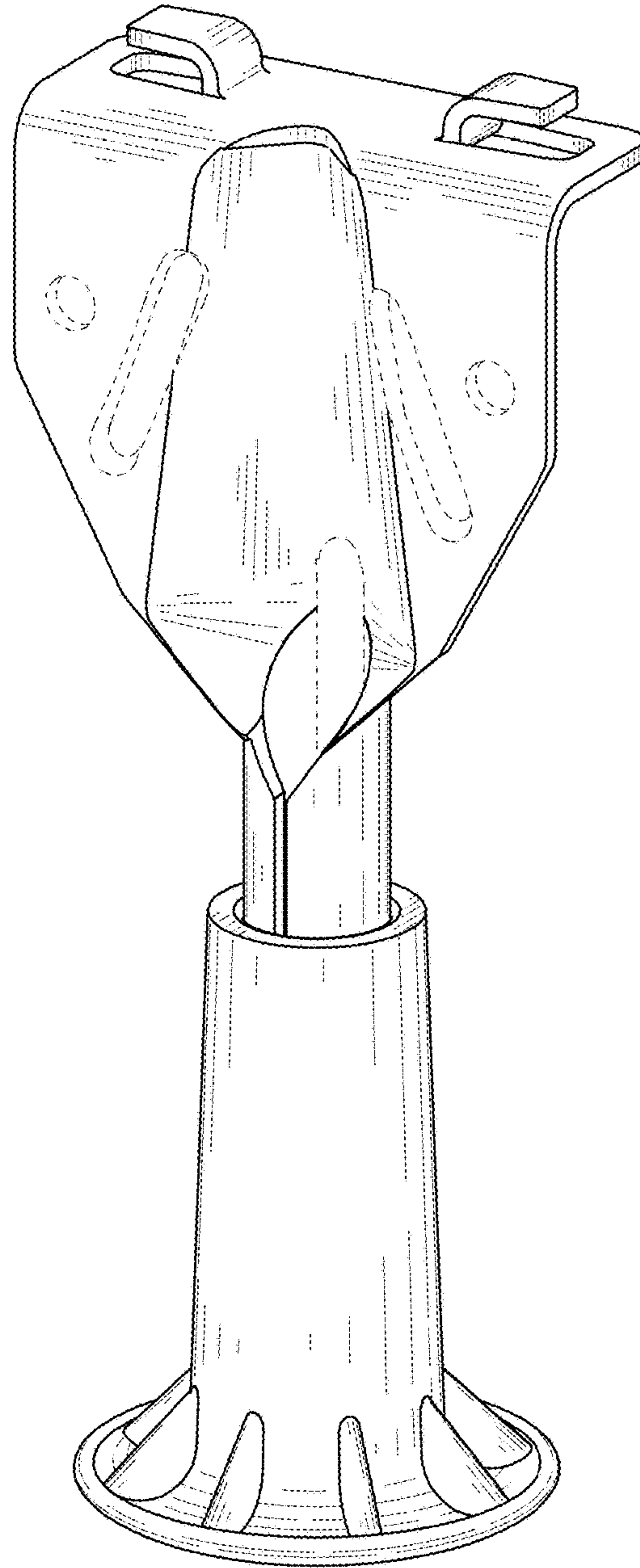


Fig. 3

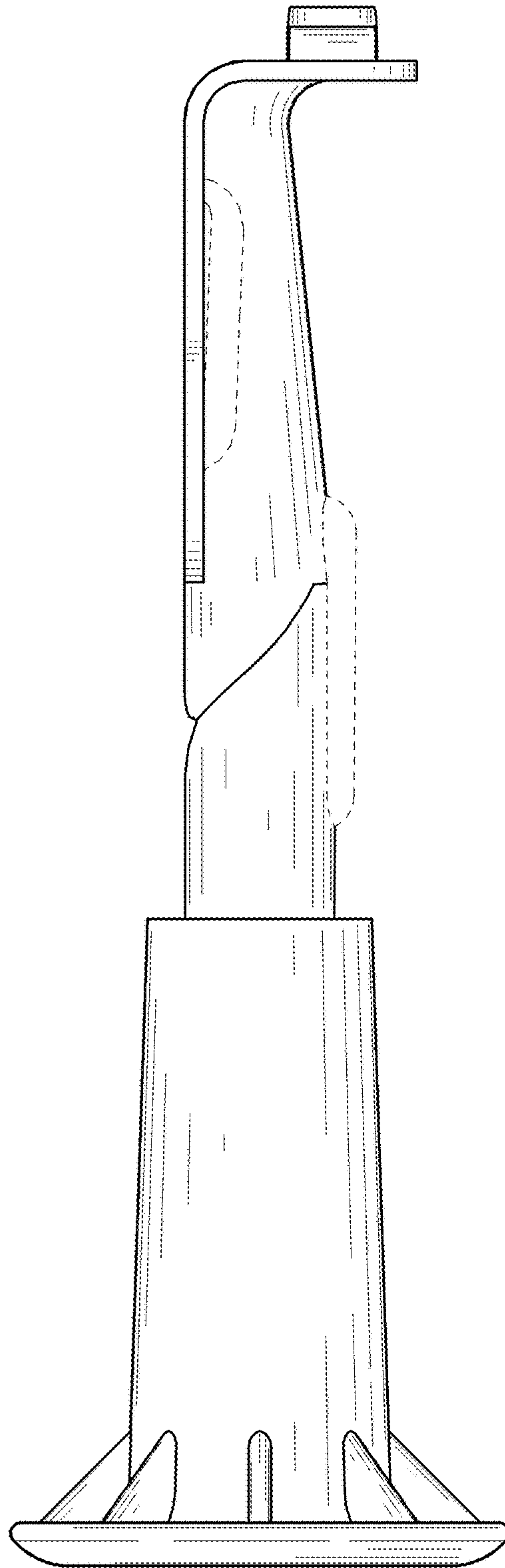


Fig. 4

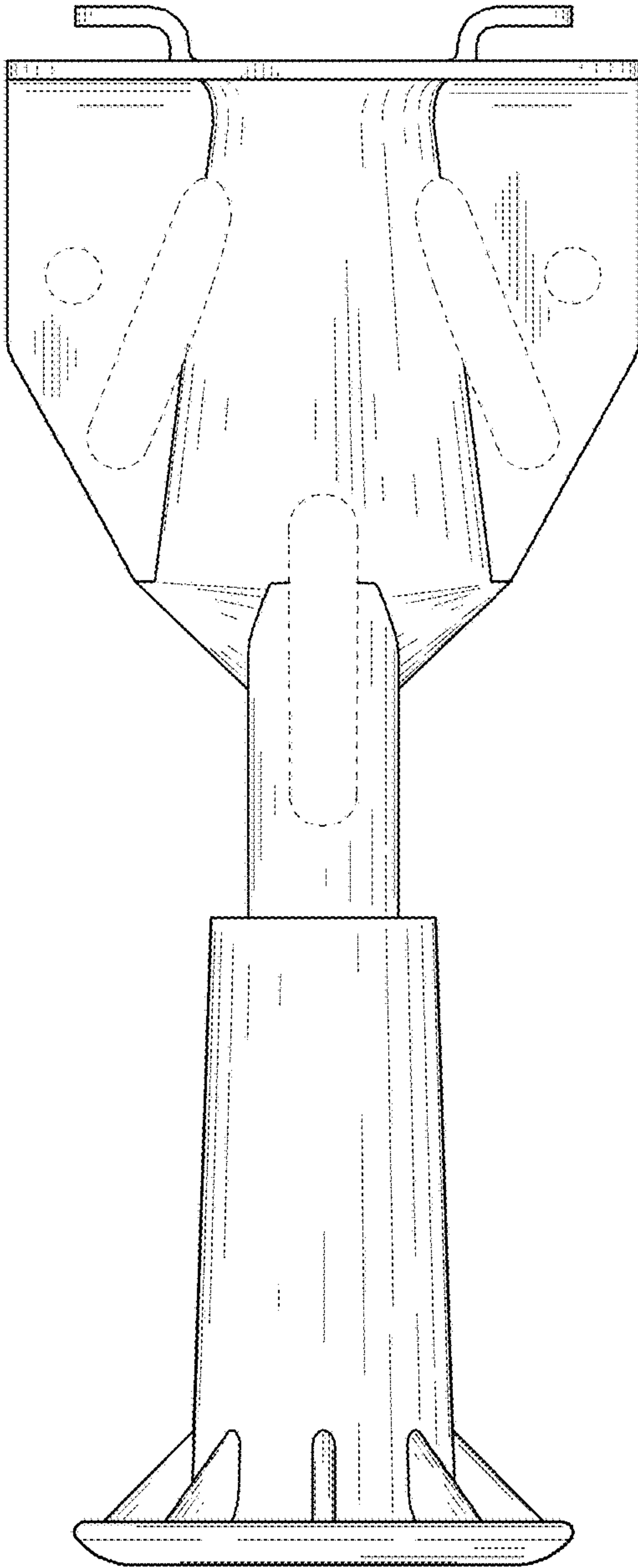


Fig. 5

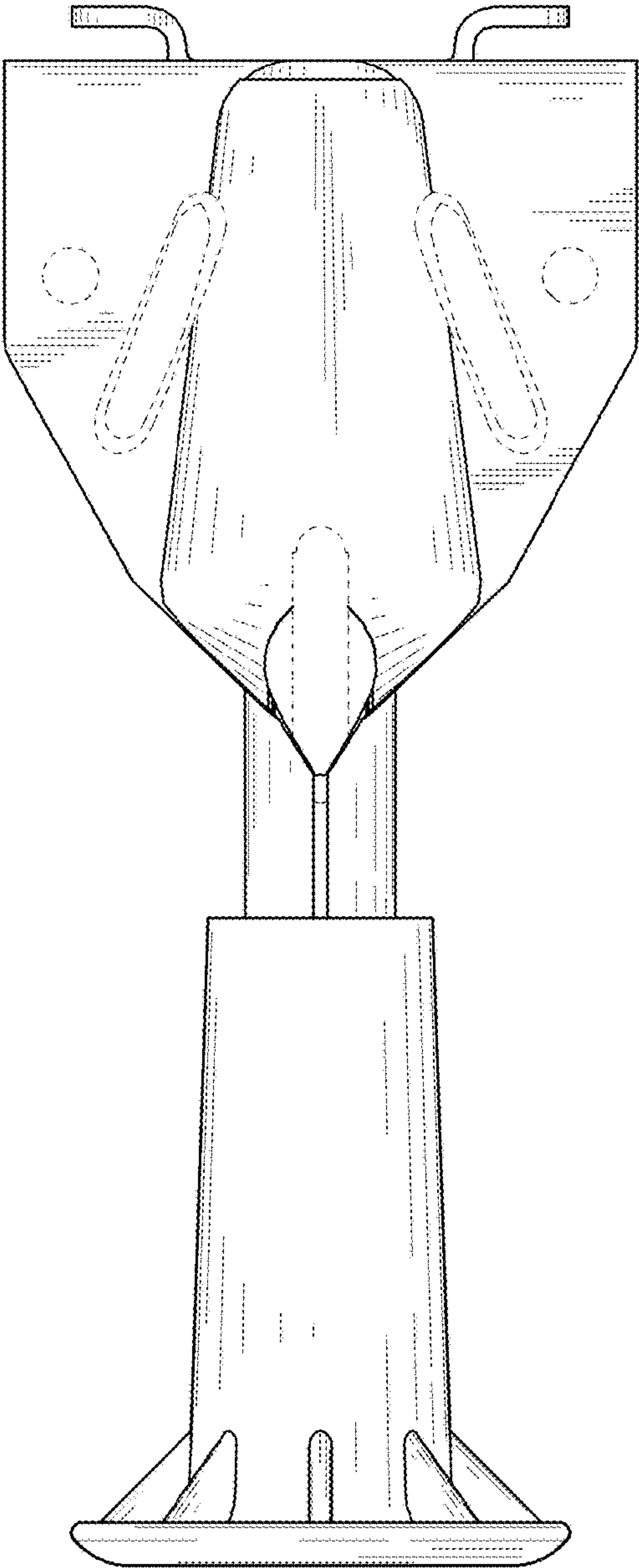


Fig. 6

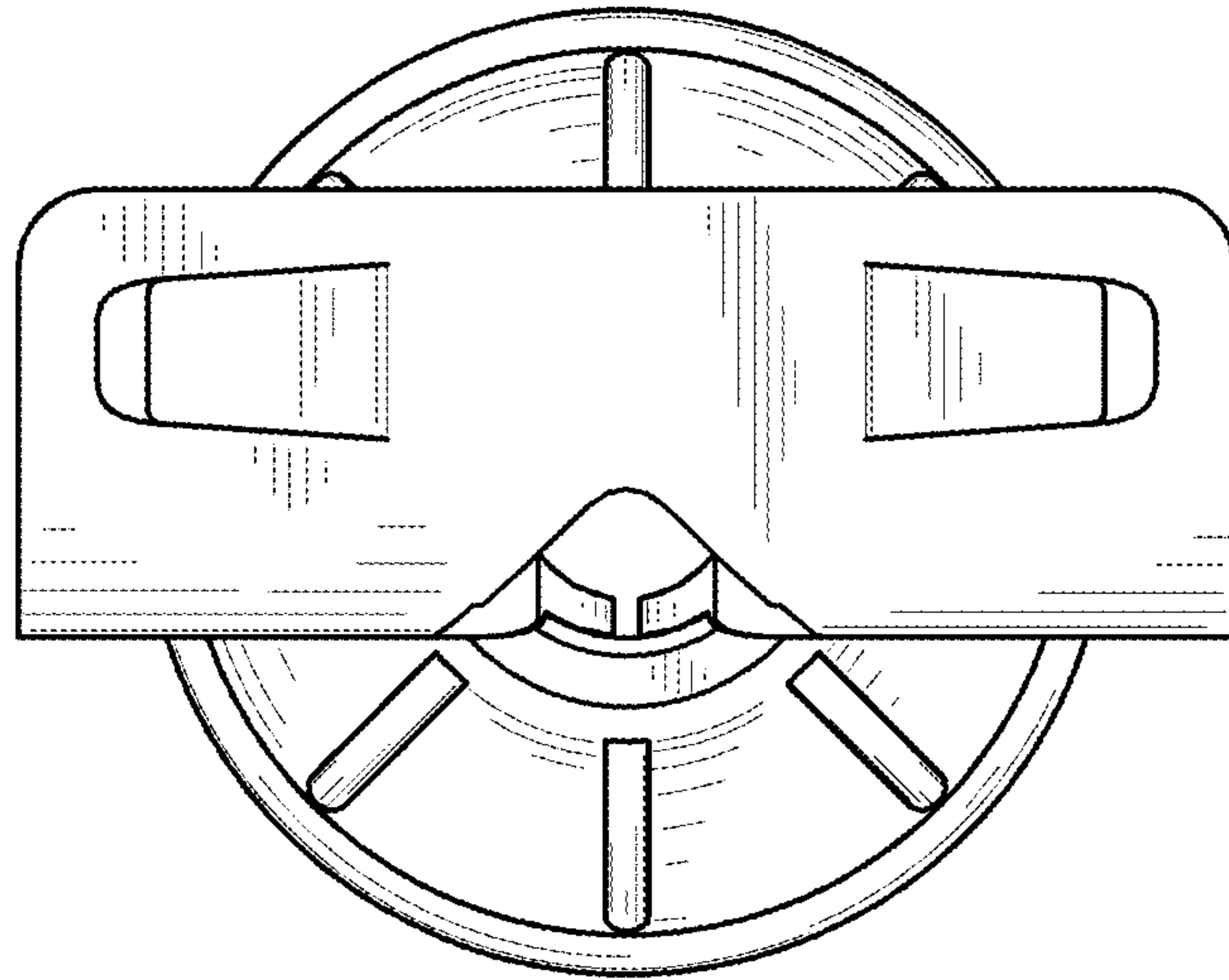


Fig. 7

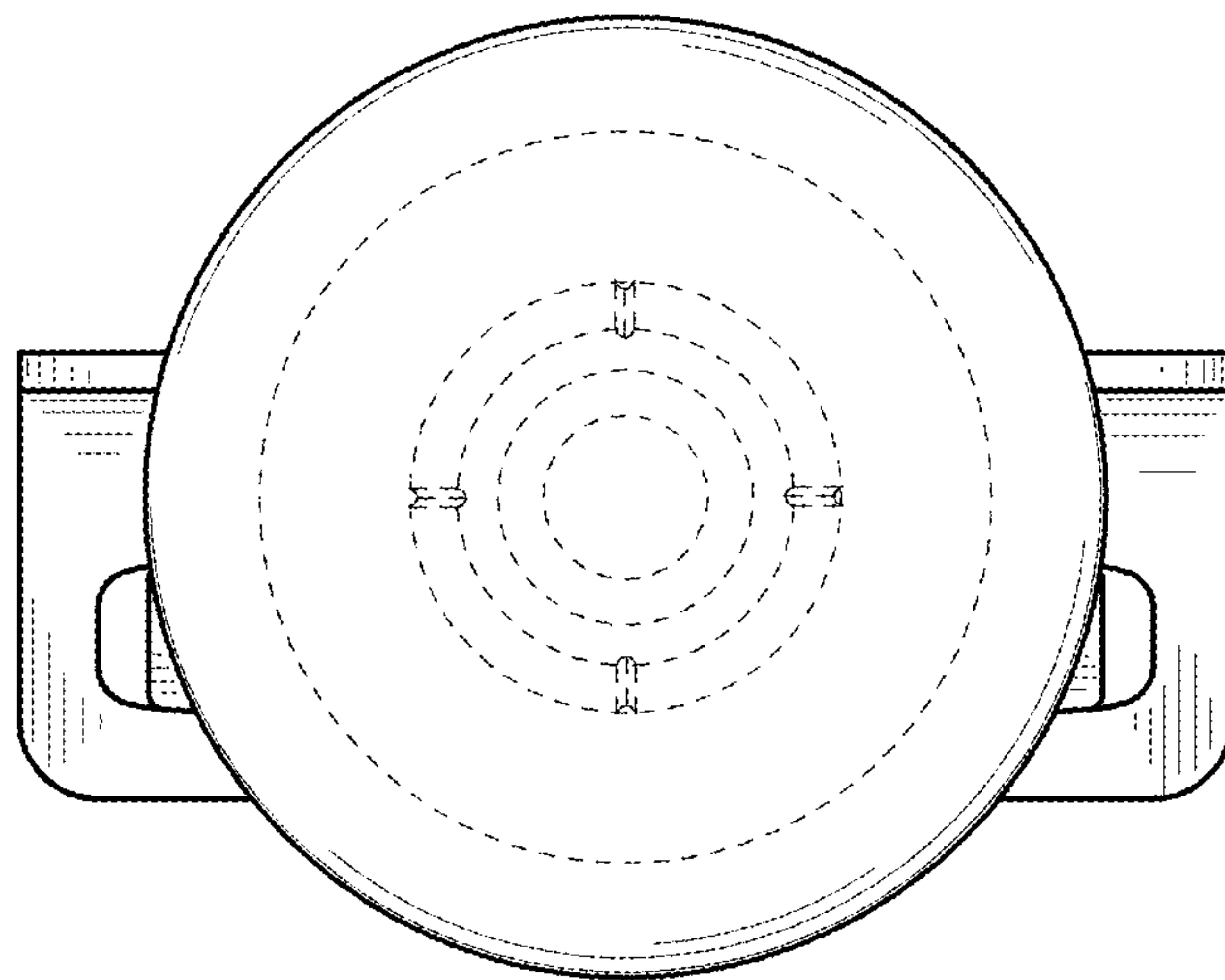


Fig. 8