



US00D816467S

(12) **United States Design Patent**
Goodman et al.

(10) **Patent No.:** **US D816,467 S**
(45) **Date of Patent:** **** May 1, 2018**

- (54) **HOOK**
- (71) Applicant: **Spectrum Diversified Designs, LLC**,
Streetsboro, OH (US)
- (72) Inventors: **Aaron Goodman**, Beachwood, OH
(US); **Xuemei Yuan**, Stow, OH (US)
- (73) Assignee: **Spectrum Diversified Designs, LLC**,
Streetsboro, OH (US)
- (**) Term: **15 Years**
- (21) Appl. No.: **29/596,746**
- (22) Filed: **Mar. 10, 2017**
- (51) **LOC (11) Cl.** **08-05**
- (52) **U.S. Cl.**
USPC **D8/367**
- (58) **Field of Classification Search**
USPC D8/367, 354, 349, 394, 372; D6/323,
D6/320, 324
CPC F16L 3/13; F16L 3/26; A47G 23/0225;
A47G 25/06; A47G 1/16; A47G 25/0607;
A47G 1/17; A47F 5/0846; A47F 5/02;
H02G 11/003; D06F 55/00; E04H 17/10;
A47K 10/04
See application file for complete search history.

| | | | | |
|--------------|---------|-----------|-------|--------|
| D442,056 S * | 5/2001 | Duggan | | D8/323 |
| D628,053 S * | 11/2010 | Goodman | | D8/372 |
| D646,960 S * | 10/2011 | Goodman | | D8/372 |
| D682,077 S * | 5/2013 | Haslam | | D8/372 |
| D712,237 S * | 9/2014 | Collins | | D8/372 |
| D729,047 S * | 5/2015 | Goodman | | D8/372 |
| D729,048 S * | 5/2015 | Goodman | | D8/372 |
| D787,922 S * | 5/2017 | Ghiorghie | | D8/372 |

* cited by examiner

Primary Examiner — Cynthia Underwood
(74) *Attorney, Agent, or Firm* — Tucker Ellis LLP;
Patrick F. Clunk

(56) **References Cited**
U.S. PATENT DOCUMENTS

| | | | | |
|--------------|---------|---------|-------|--------|
| D353,492 S * | 12/1994 | Goodman | | D6/323 |
| D422,199 S * | 4/2000 | Snell | | D8/372 |

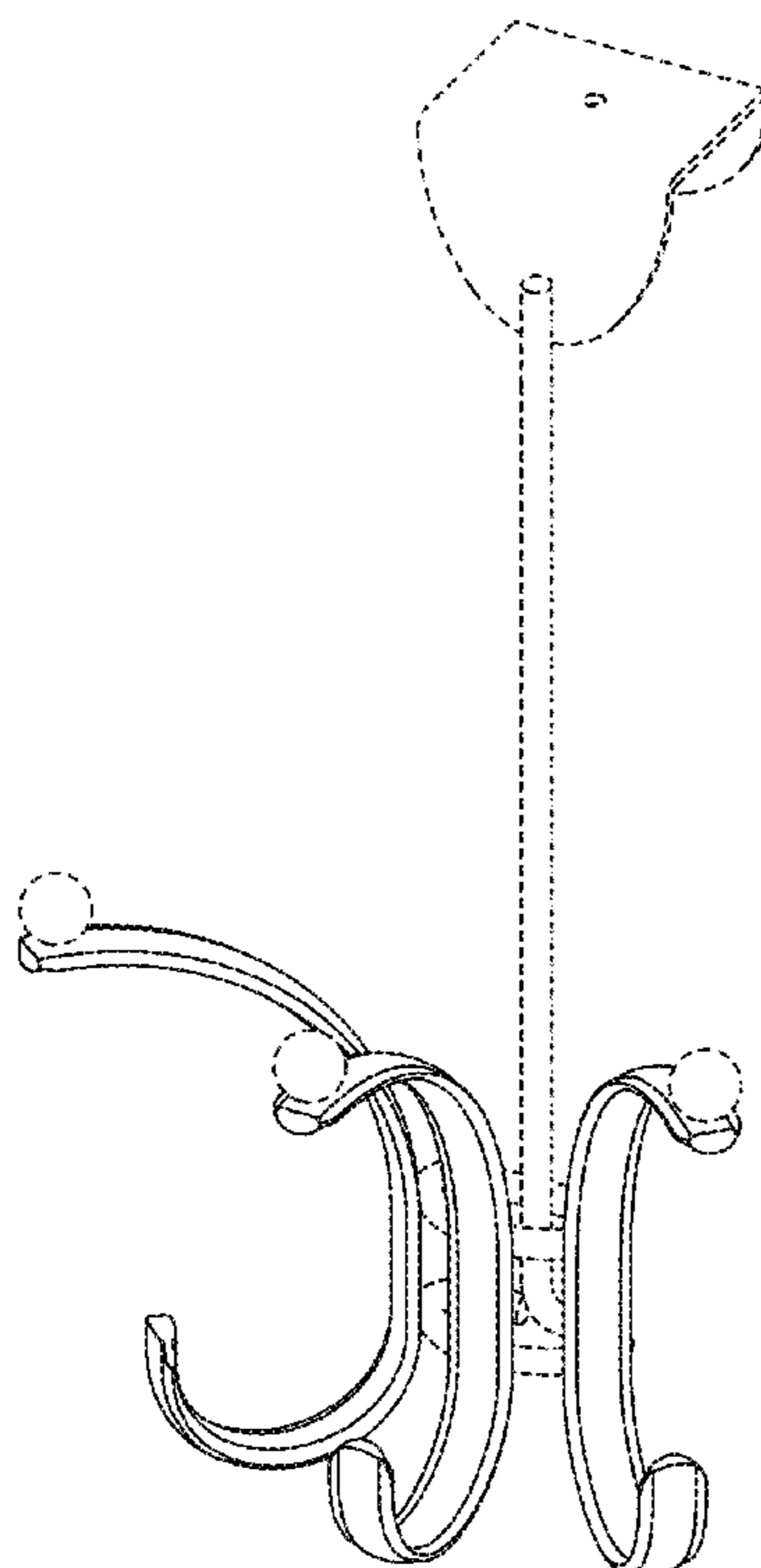
(57) **CLAIM**

The ornamental design for a hook, as shown and described.

DESCRIPTION

FIG. 1 is a perspective view of a hook showing our new design.
FIG. 2 is a front view thereof.
FIG. 3 is a rear view thereof.
FIG. 4 is a left side view thereof.
FIG. 5 is a right side view thereof.
FIG. 6 is a top view thereof; and,
FIG. 7 is a bottom view thereof.
The broken lines represent environment and form no part of the claim.

1 Claim, 4 Drawing Sheets



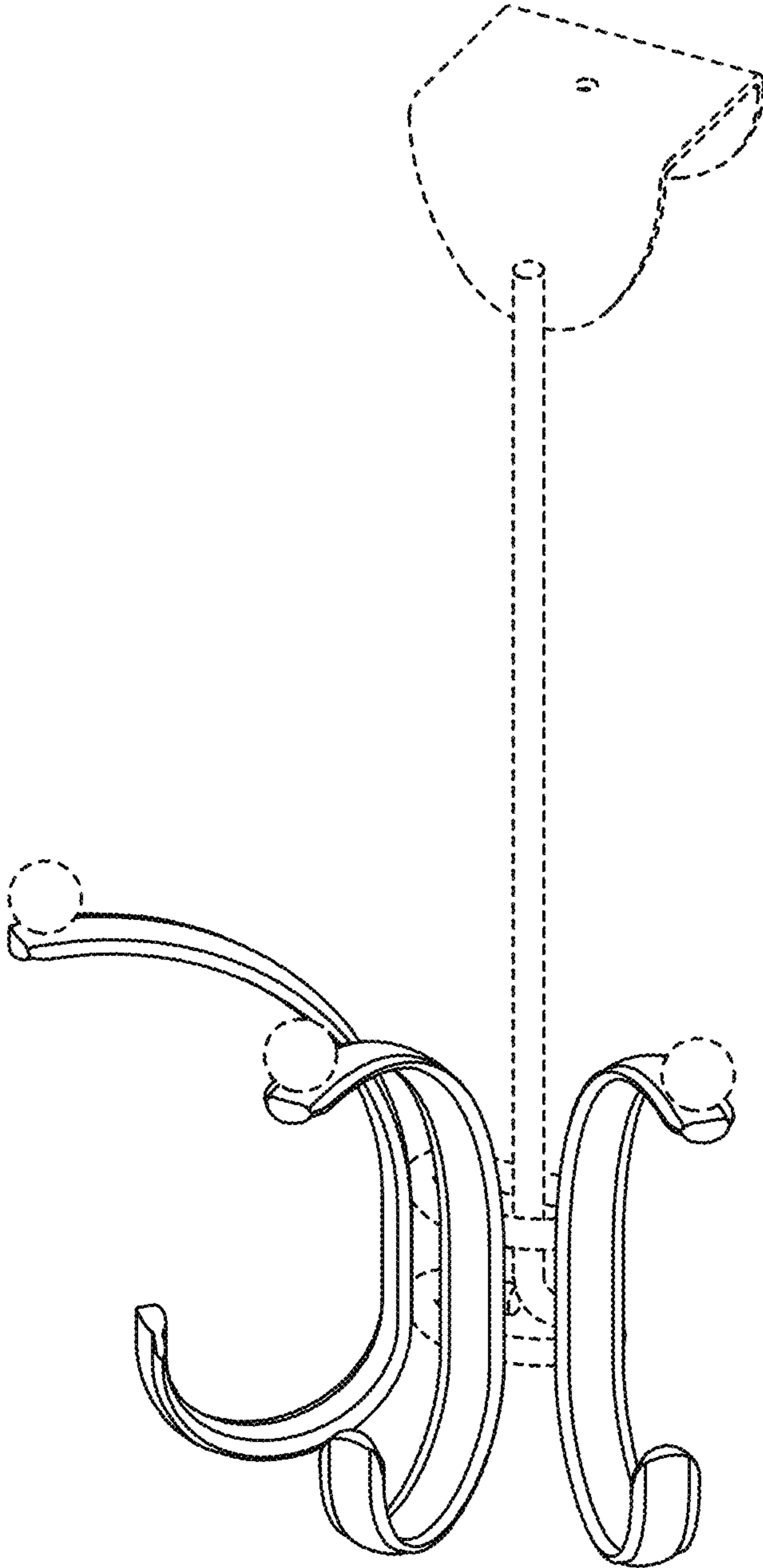


FIG. 1

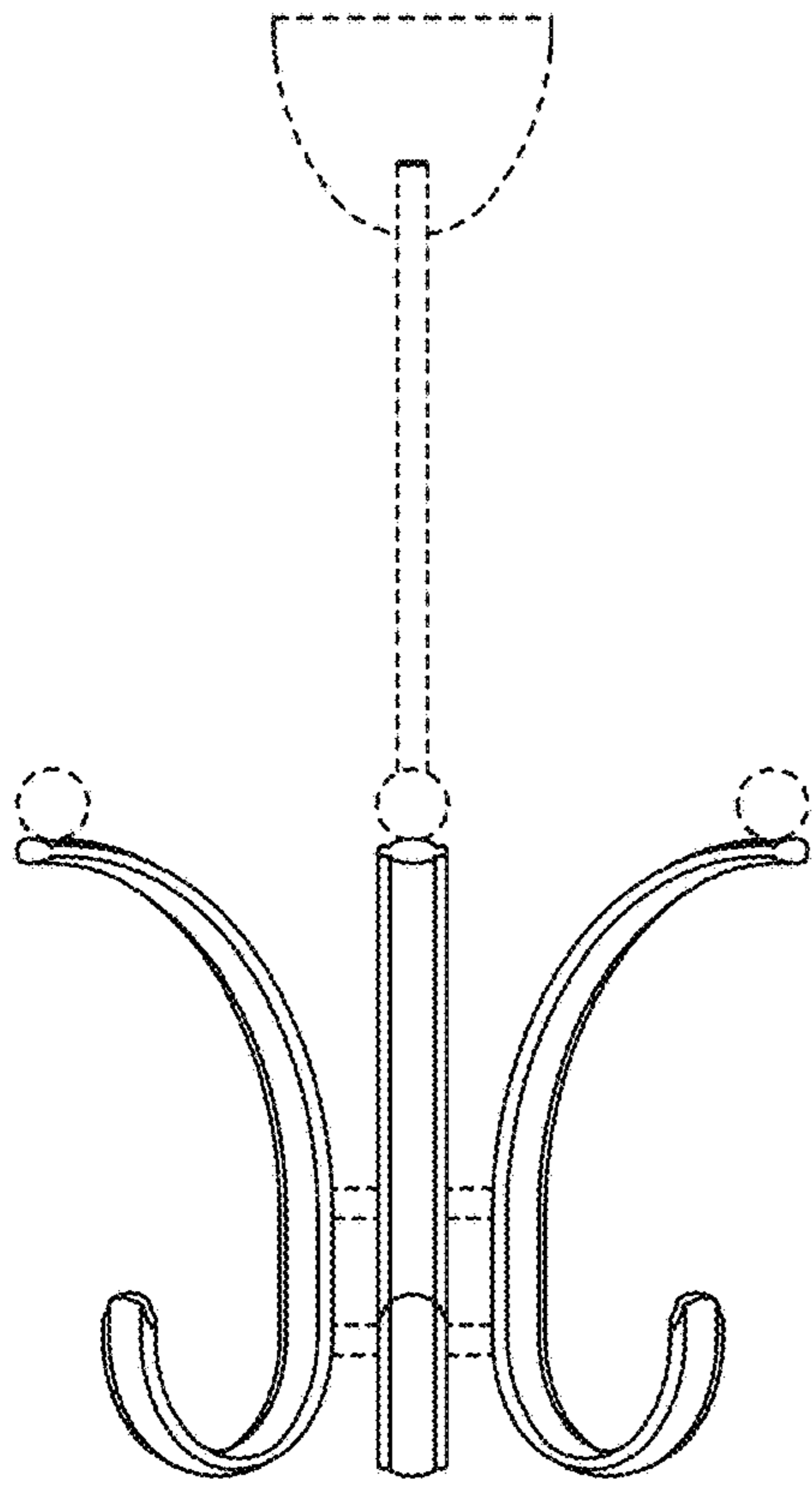


FIG. 2

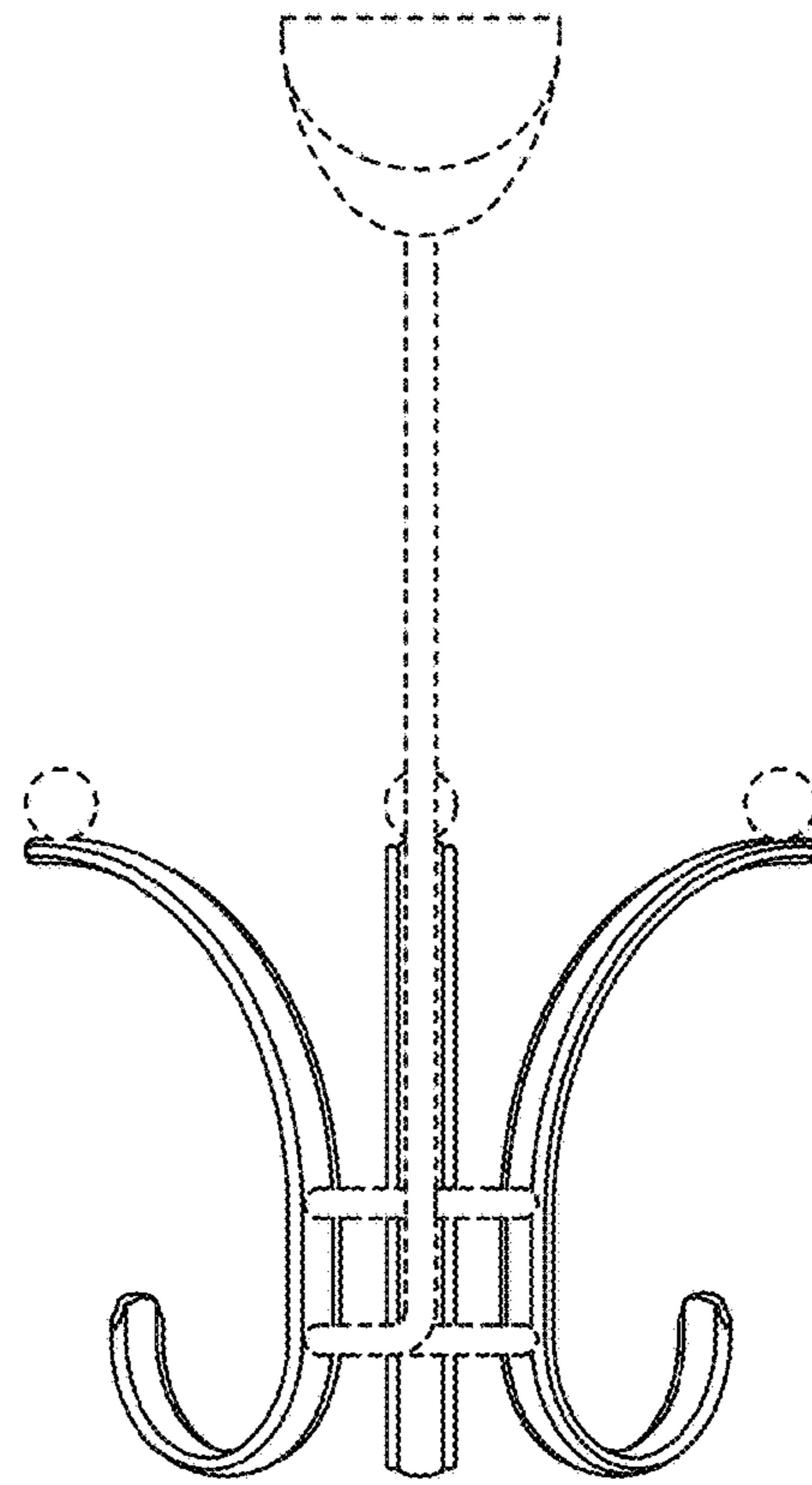


FIG. 3

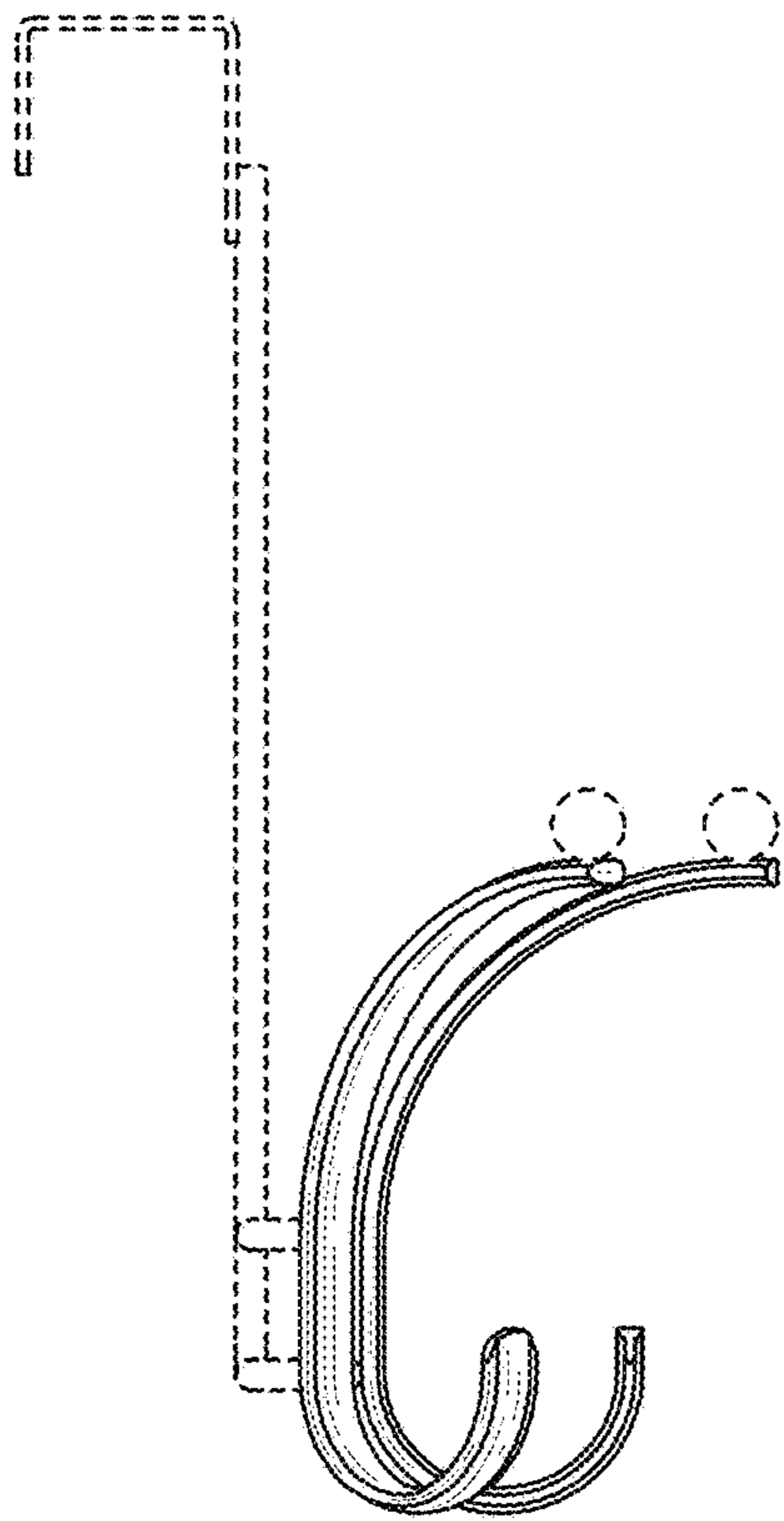


FIG. 4

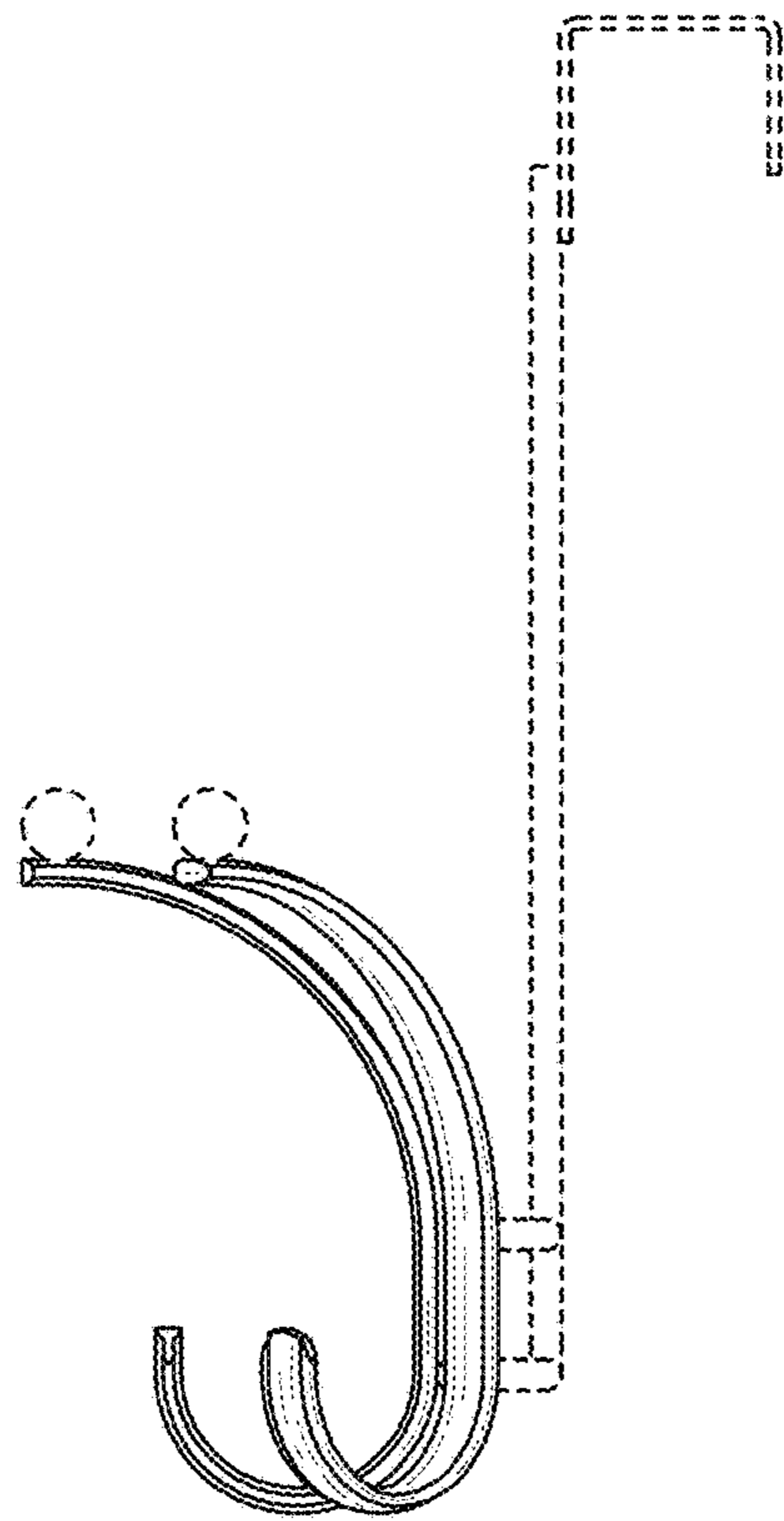


FIG. 5

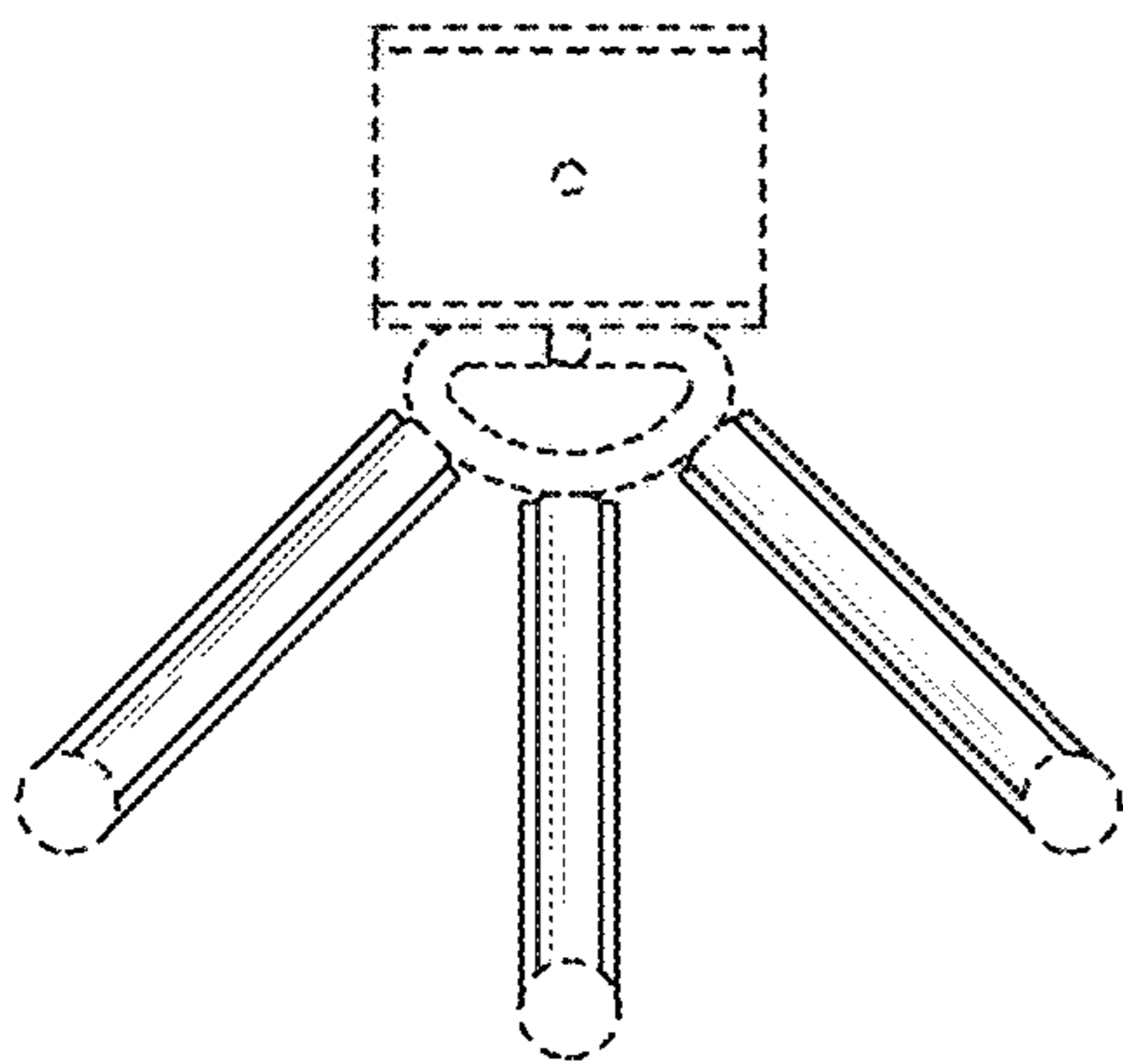


FIG. 6

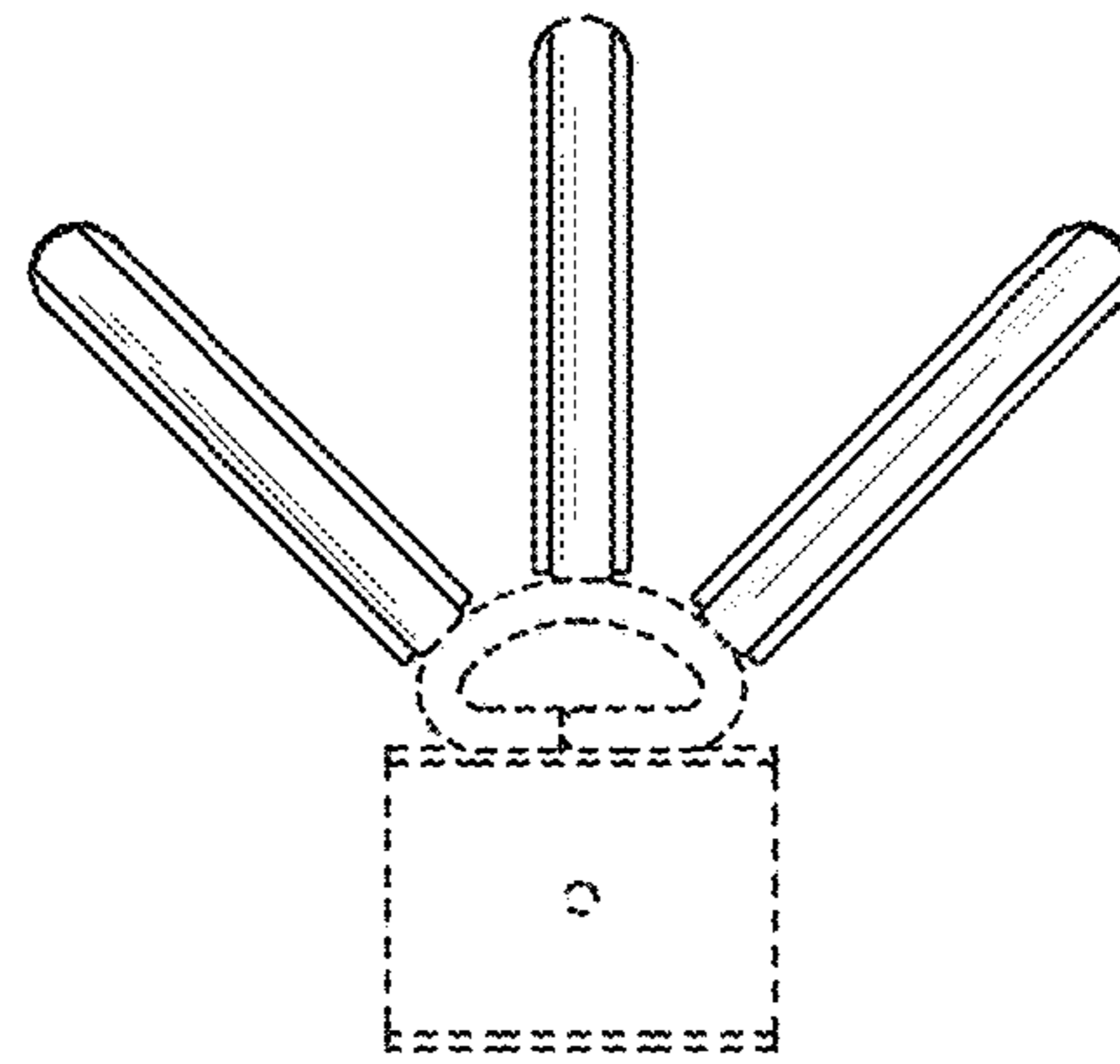


FIG. 7